



US00D630728S

(12) **United States Design Patent**
Dombrowski et al.

(10) **Patent No.:** **US D630,728 S**
(45) **Date of Patent:** **** Jan. 11, 2011**

(54) **SUCTION HANDLE**

(75) Inventors: **Alan R. Dombrowski**, Woodbury, MN (US); **Clark F. Bow**, Dandridge, TN (US)

(73) Assignee: **3M Innovative Properties Company**, St. Paul, MN (US)

(**) Term: **14 Years**

(21) Appl. No.: **29/360,786**

(22) Filed: **Apr. 30, 2010**

(51) **LOC (9) Cl.** **24-02**

(52) **U.S. Cl.** **D24/111; D24/108; D24/133**

(58) **Field of Classification Search** D24/111, D24/133, 146-147, 108, 129, 138; 604/30, 604/34-35, 39, 119, 161, 500, 902
See application file for complete search history.

(56) **References Cited**

U.S. PATENT DOCUMENTS

3,645,497	A	2/1972	Nyboer	
3,828,780	A *	8/1974	Morrison, Jr.	604/119
3,834,388	A *	9/1974	Sauer	604/119
D241,476	S *	9/1976	Lahay	D24/112
4,430,073	A	2/1984	Bemis et al.	
4,487,600	A	12/1984	Brownlie et al.	
4,617,013	A *	10/1986	Betz	604/39
4,776,840	A	10/1988	Freitas et al.	
4,861,266	A	8/1989	Ashiku	
4,941,872	A *	7/1990	Felix et al.	604/902
5,013,300	A *	5/1991	Williams	604/119
5,320,328	A	6/1994	Decloux et al.	
D359,118	S *	6/1995	Nates	D24/108
D378,939	S *	4/1997	Smith et al.	D24/144
5,971,956	A *	10/1999	Epstein	604/119
6,117,134	A *	9/2000	Cunningham et al.	604/35
6,129,547	A	10/2000	Cise et al.	
6,500,142	B1	12/2002	Harreld et al.	
6,632,091	B1	10/2003	Cise et al.	
6,746,419	B1 *	6/2004	Arnett et al.	604/35
7,025,755	B2	4/2006	Epstein	

D533,274	S *	12/2006	Visconti et al.	D24/133
7,318,814	B2	1/2008	Levine et al.	
D571,458	S *	6/2008	Kataoka et al.	D24/108
7,776,004	B2 *	8/2010	Yarger	604/35
2007/0173764	A1	7/2007	Greeson et al.	
2008/0145816	A1	6/2008	Hershey et al.	

OTHER PUBLICATIONS

Kimberly-Clark* KimVent* Oral Care q4 Kit, q2 Kit & Individual Components/Packs brochure, © 2008, 6 pgs.
Medline, Achieving Excellence in Patient Care brochure, © 2008, 23 pgs.
Sage Products Inc., Toothette Oral Care, Oral Hygiene Product Catalog, © 2010, 20 pages.

(Continued)

Primary Examiner—Charles A Rademaker
Assistant Examiner—Wan Laymon
(74) *Attorney, Agent, or Firm*—Nicole J. Einerson

(57) **CLAIM**

The ornamental design for a suction handle, as shown and described.

DESCRIPTION

FIG. 1 is a front perspective view of a suction handle, showing the new design.

FIG. 2 is a left side elevational view thereof, the right side elevational view being a mirror image of the left side elevational view;

FIG. 3 is a top plan view thereof;

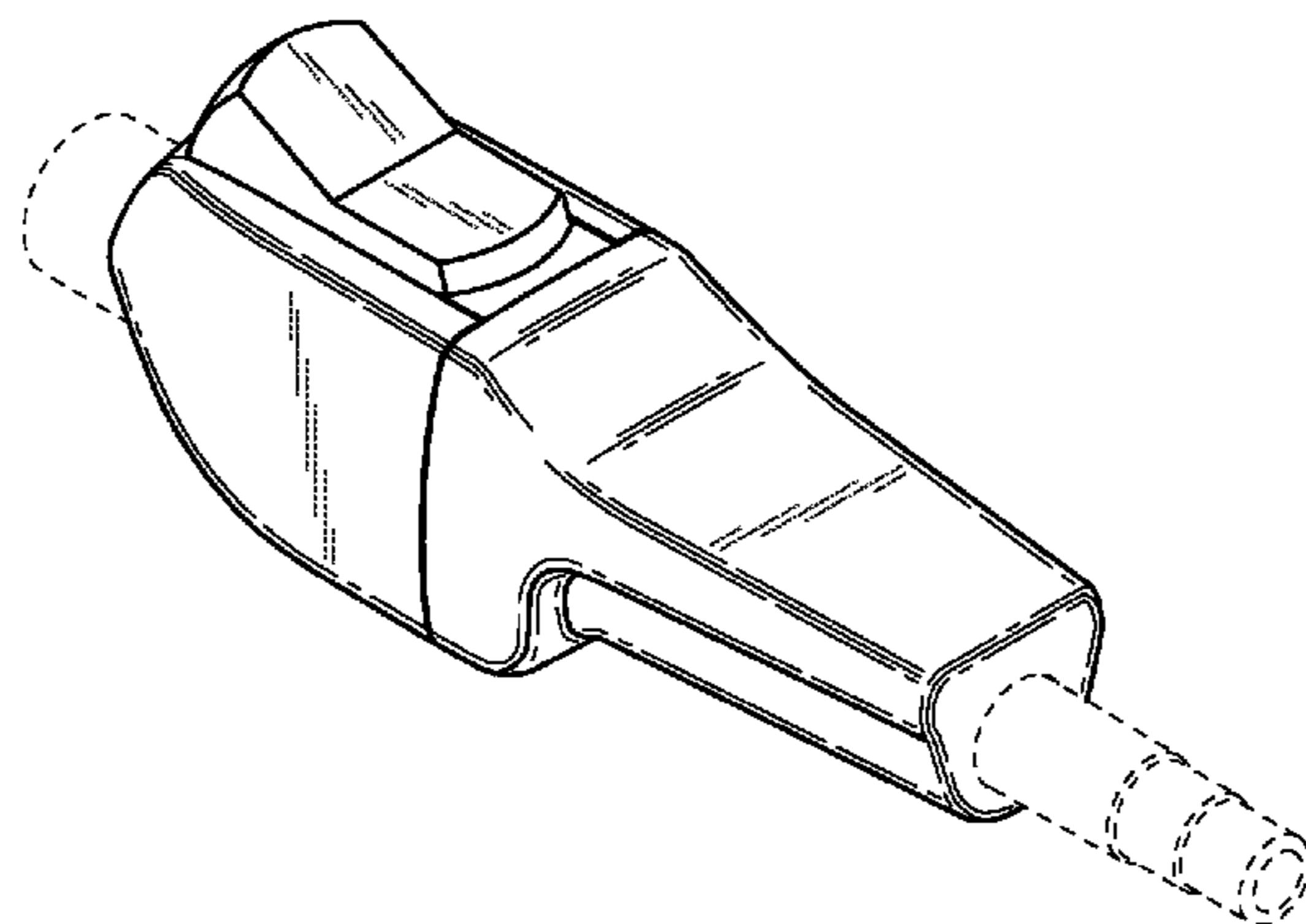
FIG. 4 is a bottom plan view thereof;

FIG. 5 is a front elevational view thereof; and,

FIG. 6 is a rear elevational view thereof.

The broken lines showing portions of the suction handle are included for the purpose of illustrating environmental structure and form no part of the claimed design.

1 Claim, 2 Drawing Sheets



OTHER PUBLICATIONS

U.S. Appl. No. 61/287,450, filed Dec. 17, 2009.
U.S. Appl. No. 29/352,188, filed Dec. 17, 2009.
U.S. Appl. No. 61/288,387, filed Dec. 21, 2009.

U.S. Appl. No. 29/352,389, filed Dec. 21, 2009.
U.S. Appl. No. 61/329,779, filed Apr. 30, 2010.
U.S. Appl. No. 61/329,797, filed Apr. 30, 2010.

* cited by examiner

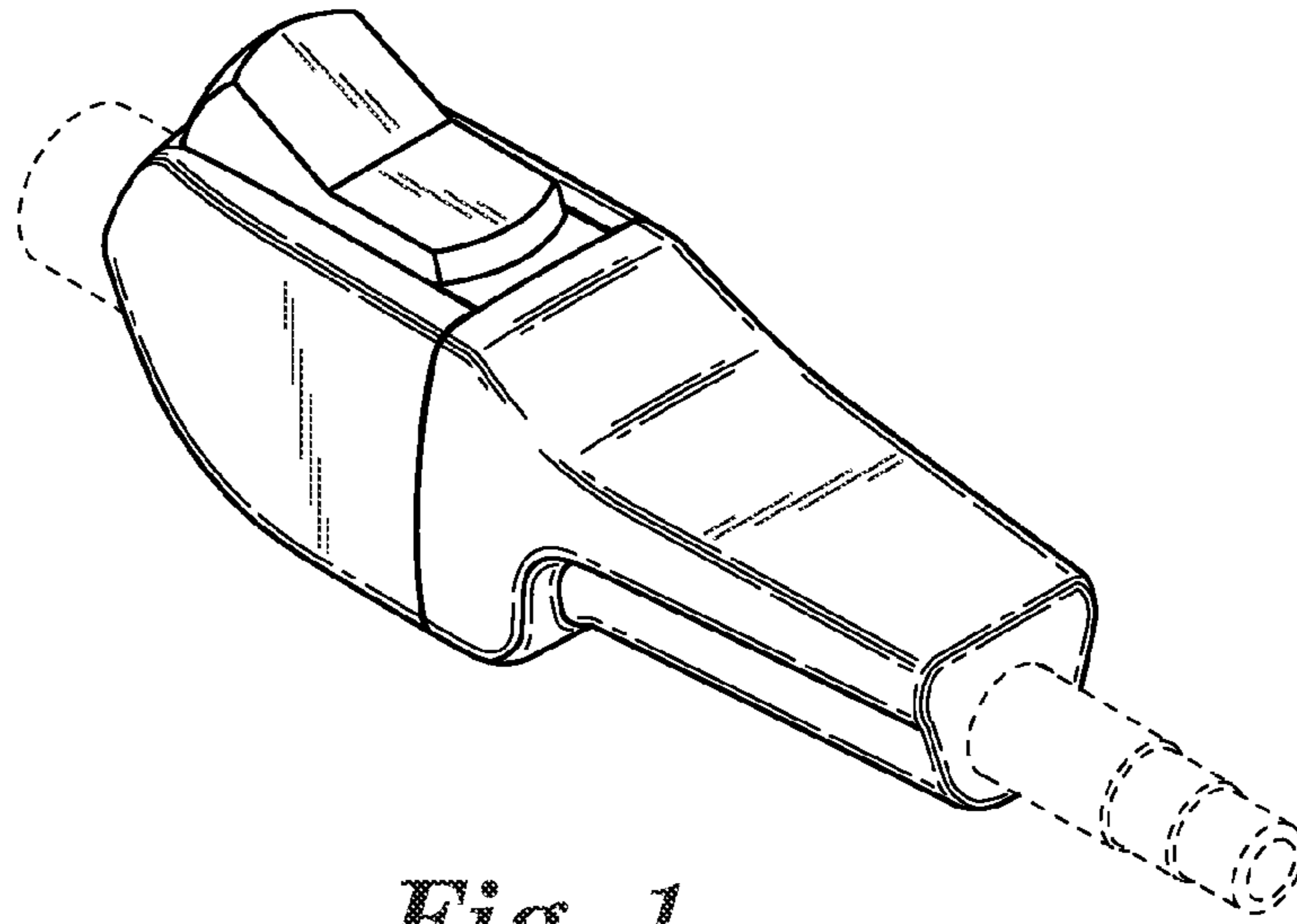


Fig. 1

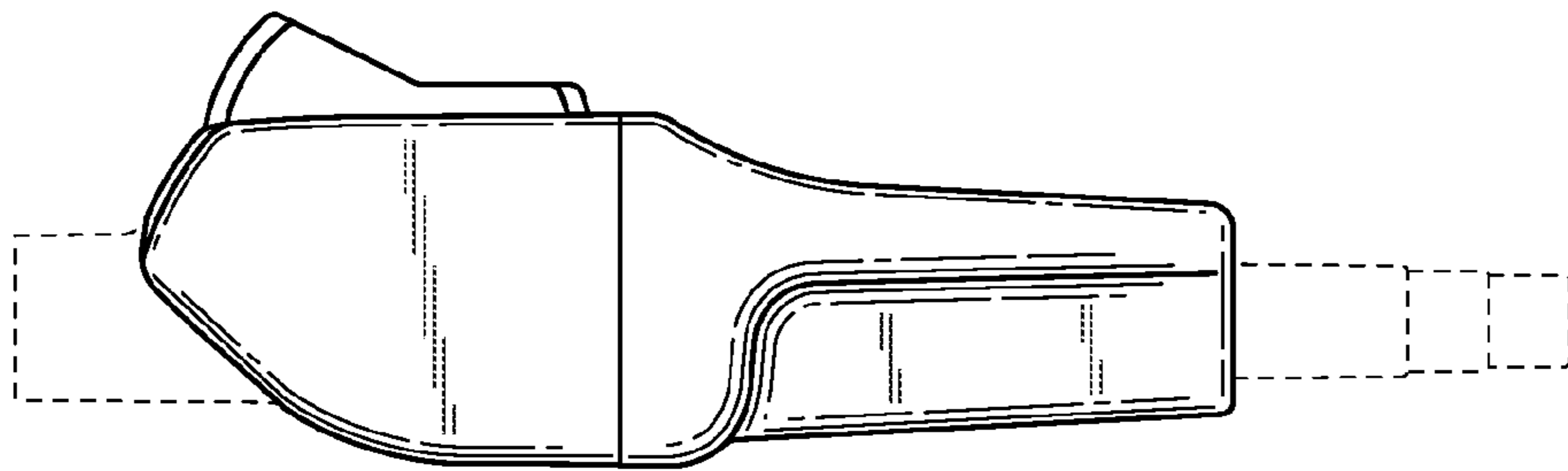


Fig. 2

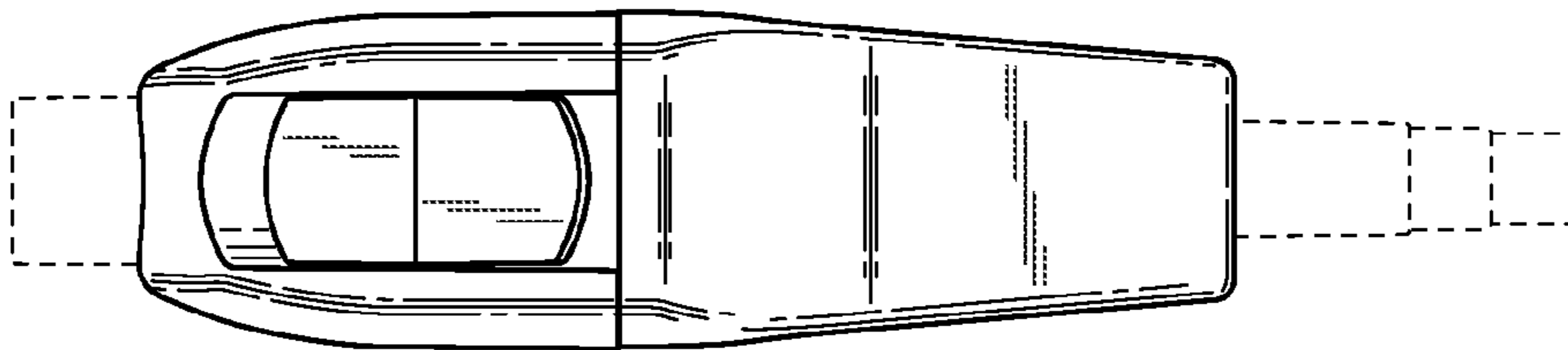


Fig. 3

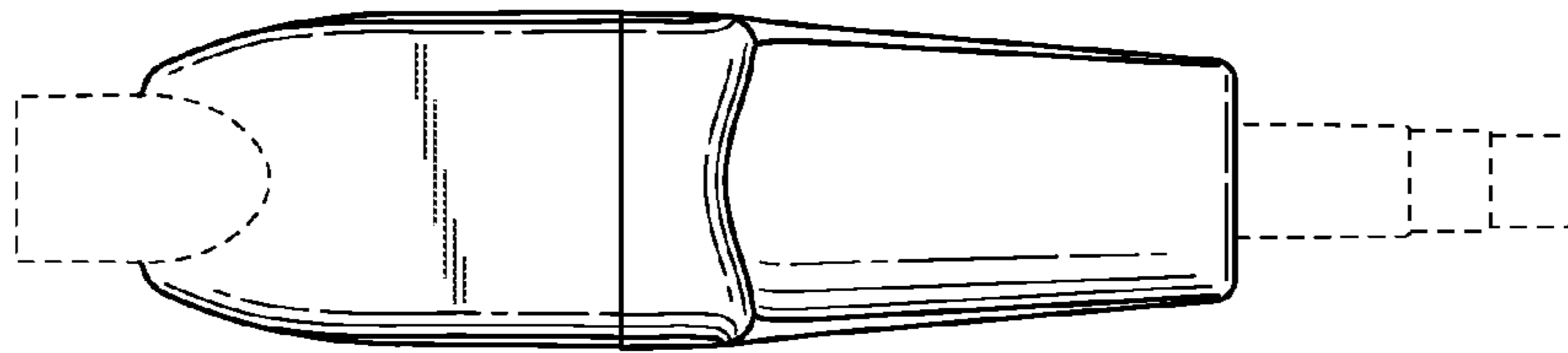


Fig. 4

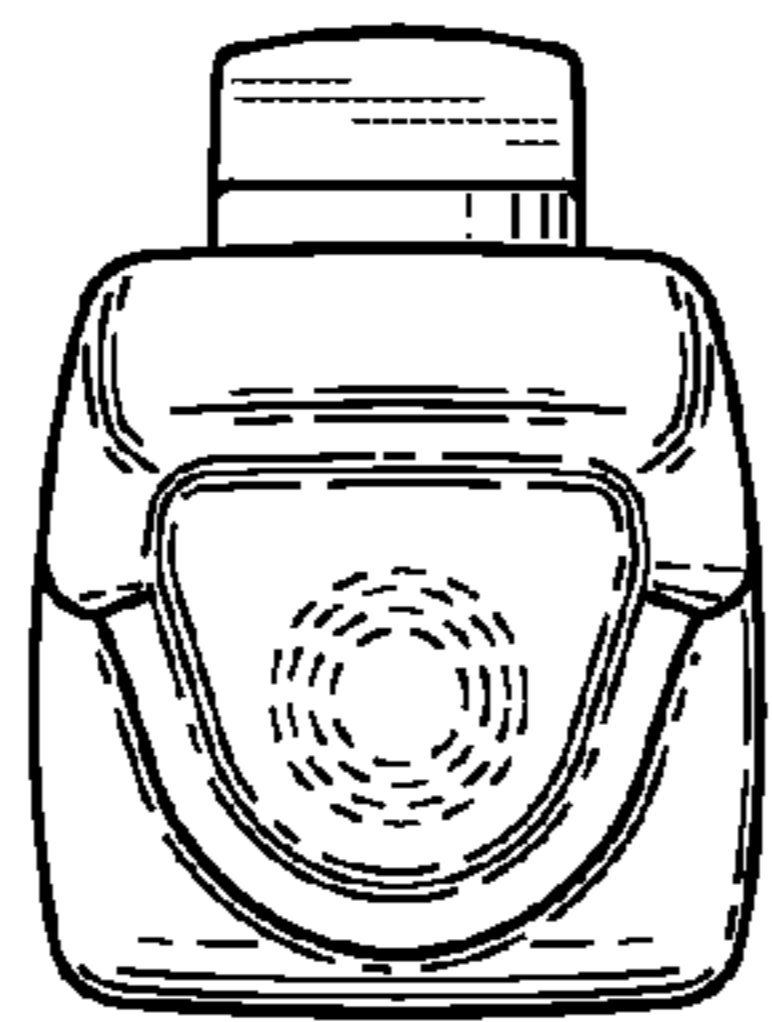


Fig. 5

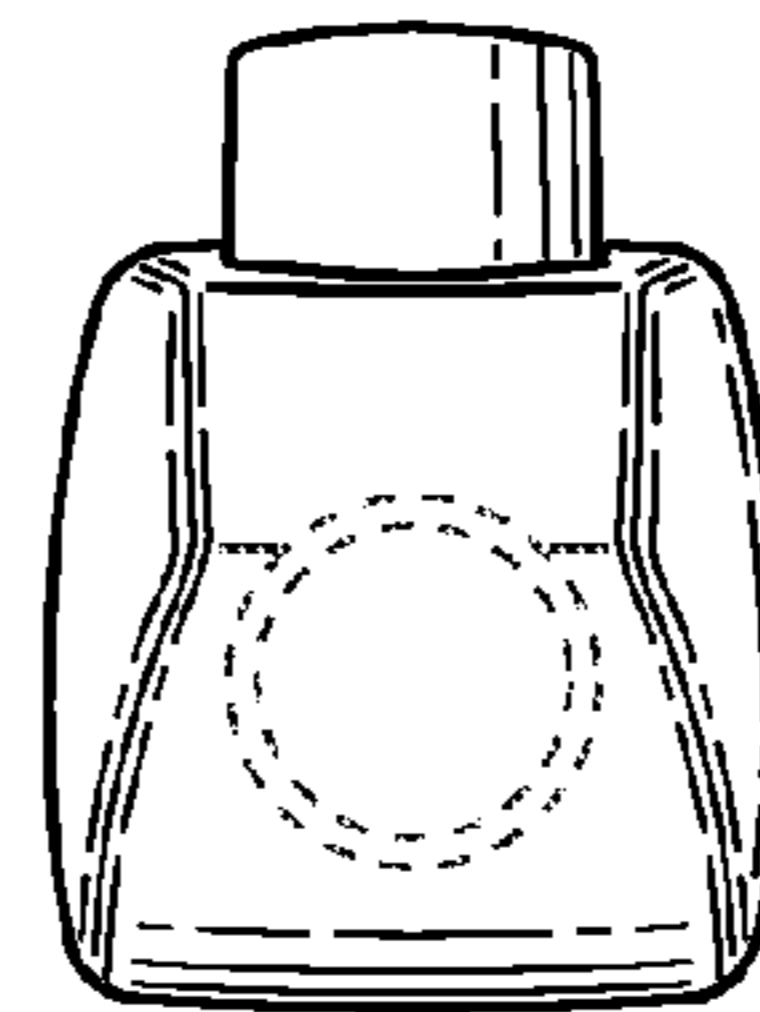


Fig. 6