



US00D630726S

(12) **United States Design Patent**
Abel et al.

(10) **Patent No.:** **US D630,726 S**

(45) **Date of Patent:** **** Jan. 11, 2011**

(54) **EXHALE VALVE COVER**

(75) Inventors: **Nathan A. Abel**, White Bear Lake, MN (US); **James R. Betz**, Hudson, WI (US); **Sean M. Burke**, St. Paul, MN (US); **Michael J. Lynch**, Hudson, WI (US); **Matthew D. Reier**, St. Paul, MN (US); **Andrew S. Viner**, Roseville, MN (US)

(73) Assignee: **3M Innovative Properties Company**, St. Paul, MN (US)

(**) Term: **14 Years**

(21) Appl. No.: **29/282,502**

(22) Filed: **Jul. 23, 2007**

(51) **LOC (9) Cl.** **29-02**

(52) **U.S. Cl.** **D24/110.6**

(58) **Field of Classification Search** D24/110-110.6;
D16/339; 128/207.17, 207.11, 848; 2/171.2,
2/171.8

See application file for complete search history.

(56) **References Cited**

U.S. PATENT DOCUMENTS

5,224,474 A * 7/1993 Bloomfield 128/201.19
D378,610 S * 3/1997 Reischel et al. D24/110.2
5,924,420 A * 7/1999 Reischel et al. 128/206.21
D421,118 S 2/2000 Reischel et al.

D426,549 S * 6/2000 Carlson D14/433
D567,366 S * 4/2008 Betz et al. D24/110.2
D569,502 S * 5/2008 Abel et al. D24/110.6
D569,503 S * 5/2008 Abel et al. D24/110.6
D574,486 S * 8/2008 Betz et al. D24/110.2
D582,547 S * 12/2008 Ungar D24/110.2

* cited by examiner

Primary Examiner—T. Chase Nelson

Assistant Examiner—Michael A Pratt

(74) *Attorney, Agent, or Firm*—Jeffrey M. Olofson

(57) **CLAIM**

The ornamental design for an exhale valve cover, as shown and described.

DESCRIPTION

FIG. 1 is a perspective view showing the new design for an exhale valve cover;

FIG. 2 is a front view thereof;

FIG. 3 is a left side view thereof;

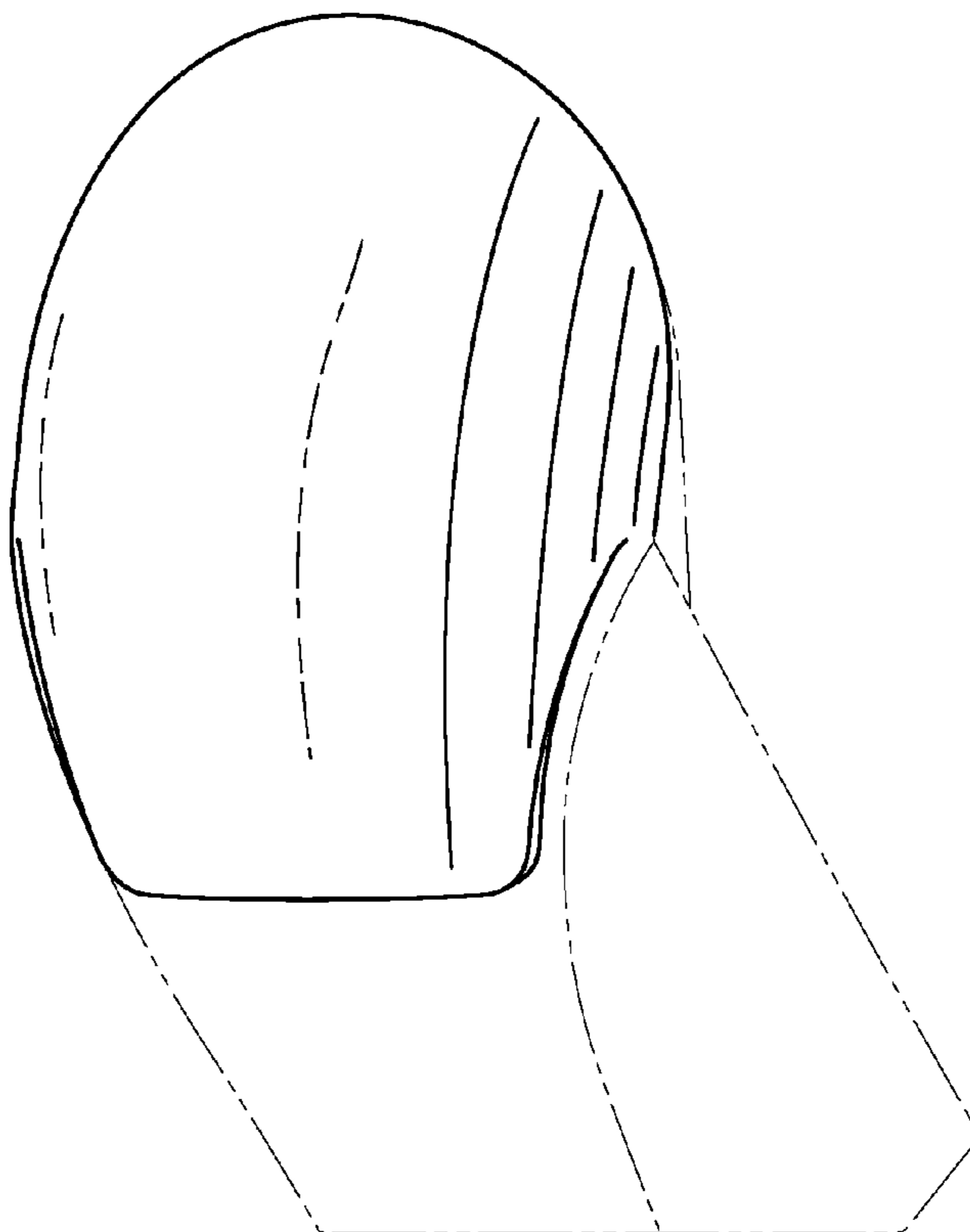
FIG. 4 is a back side view thereof;

FIG. 5 is a bottom view thereof; and,

FIG. 6 is a top view thereof.

The broken lines form no part of the claimed design, and the shading is provided only to illustrate contour, it is not to indicate any particular texture.

1 Claim, 3 Drawing Sheets



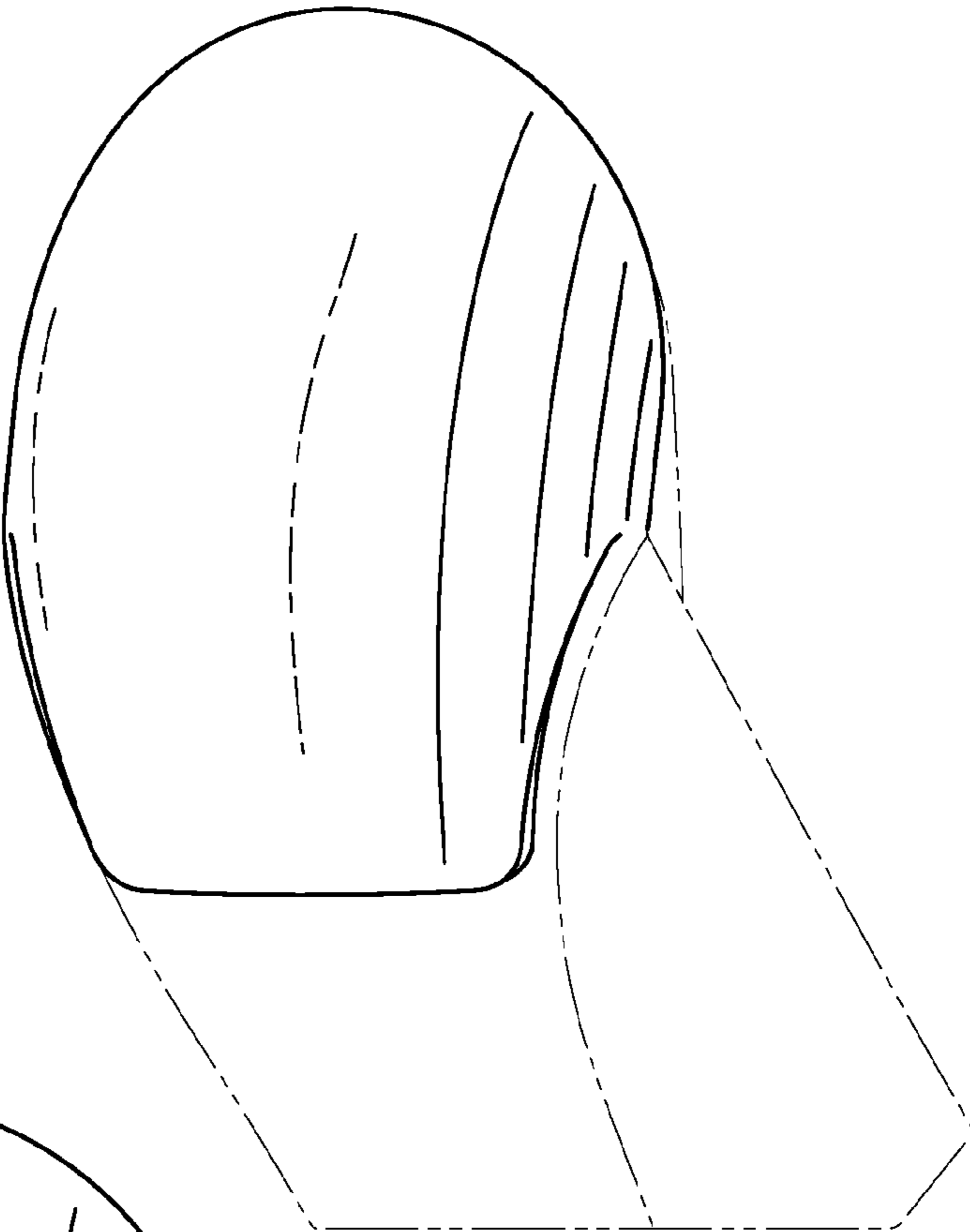


Fig. 1

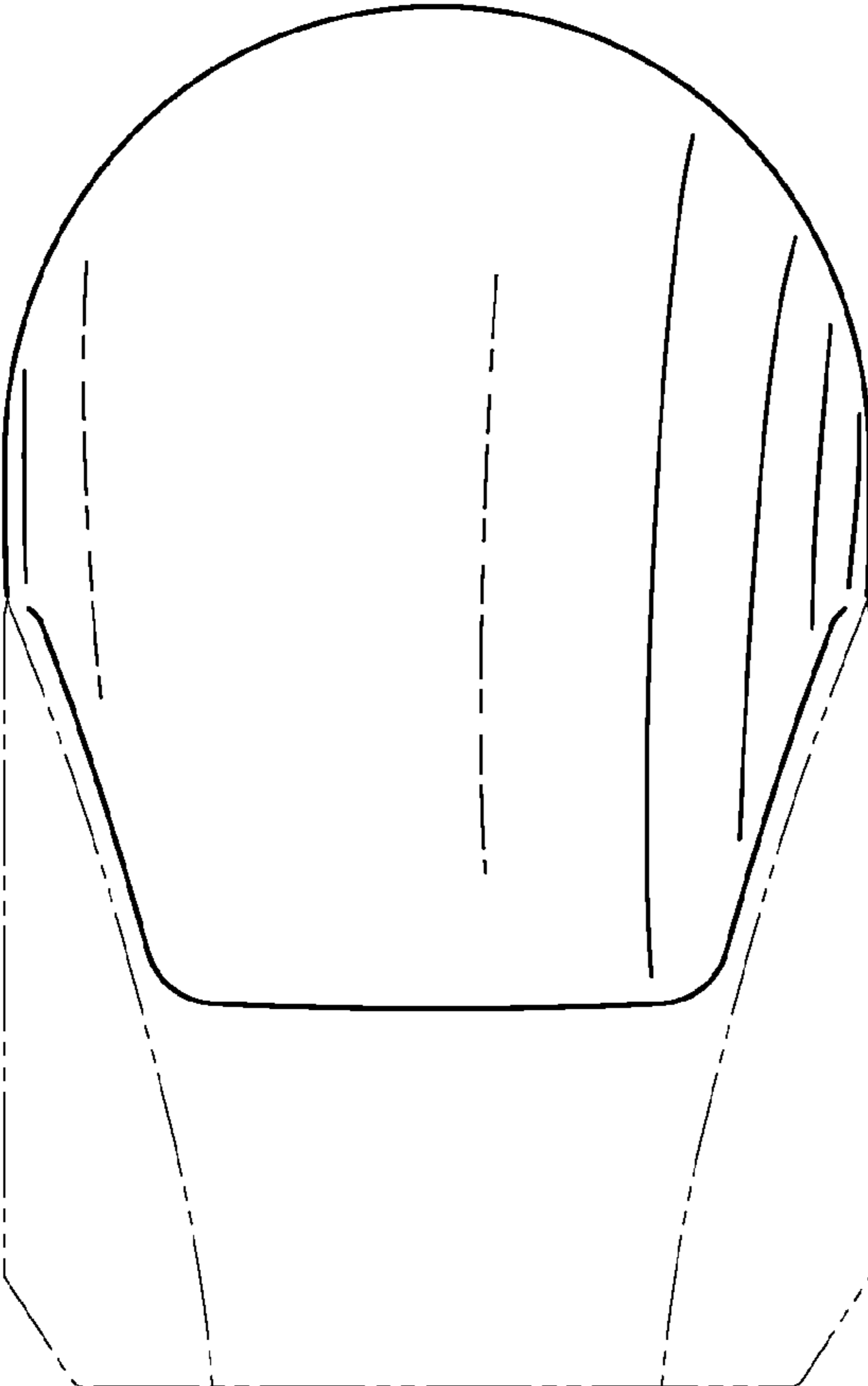


Fig. 2

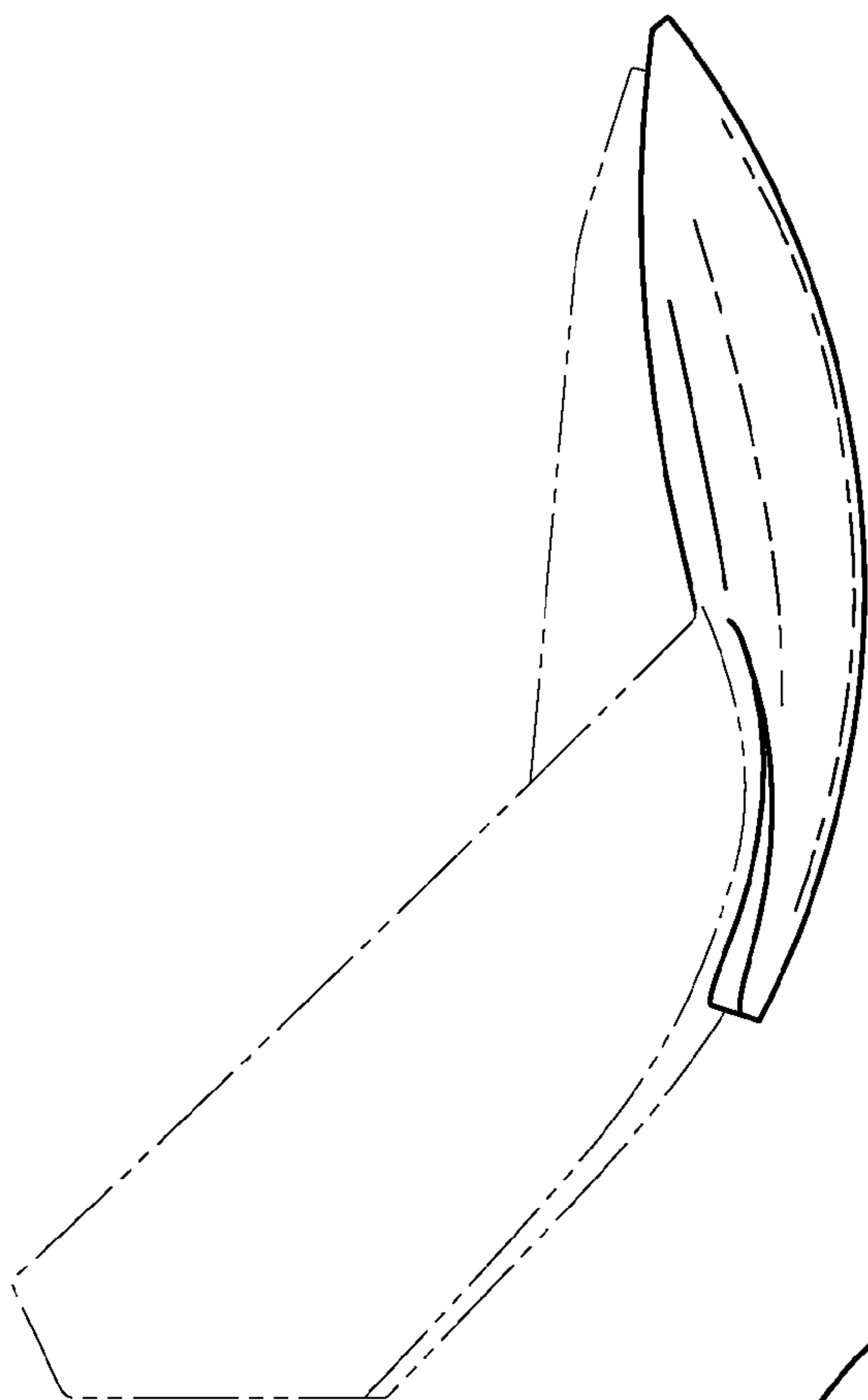


Fig. 3

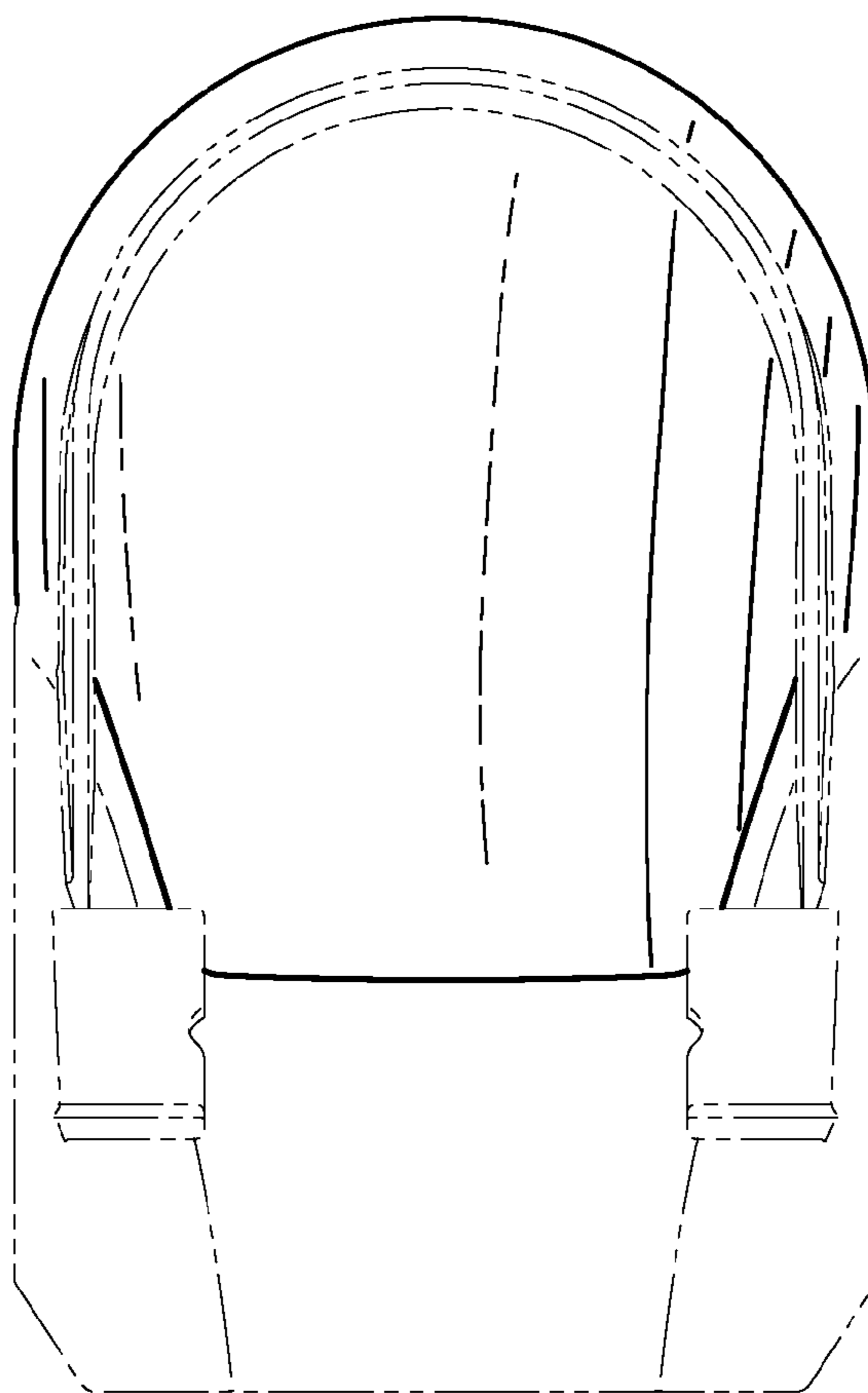


Fig. 4

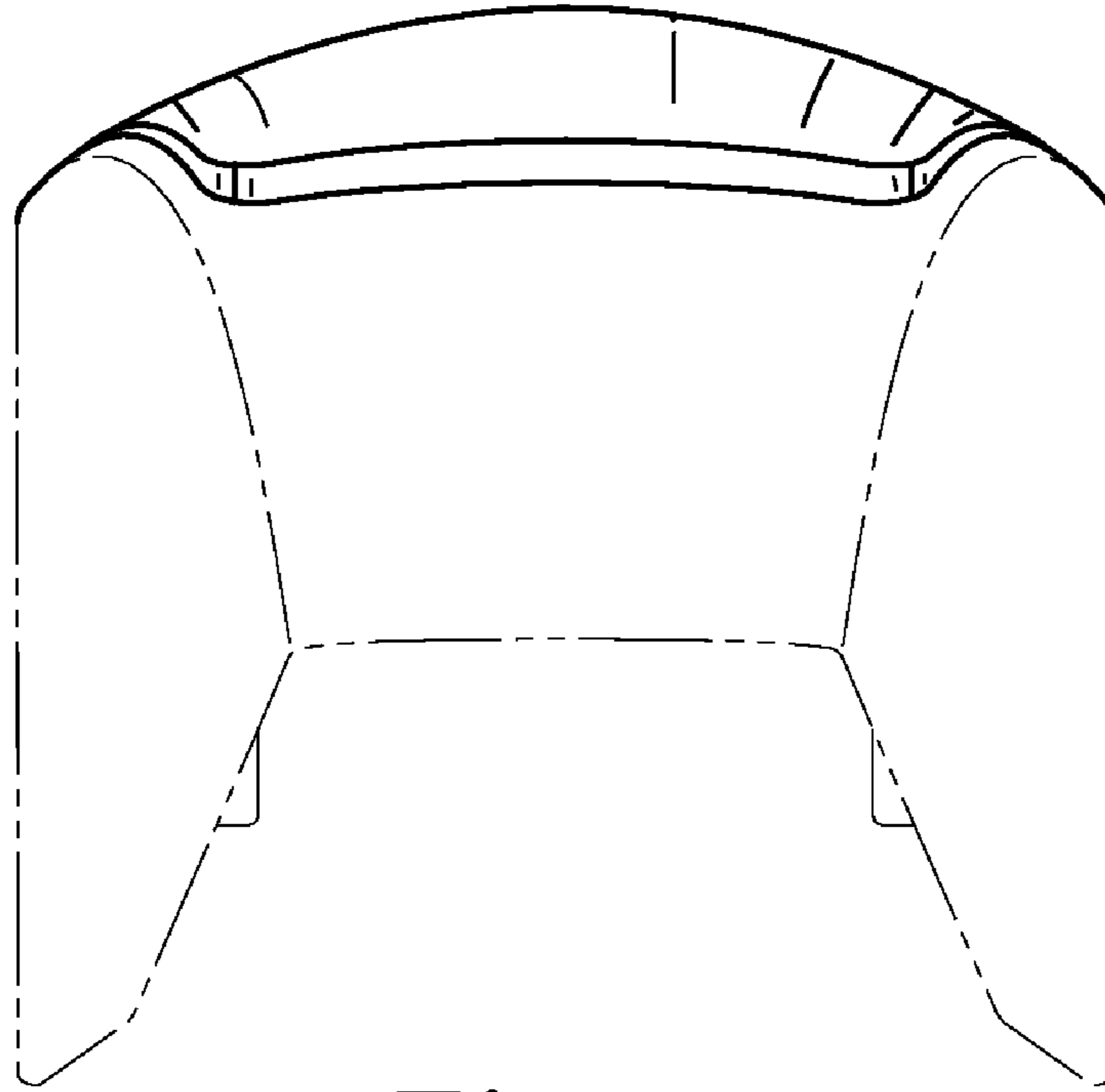


Fig. 5

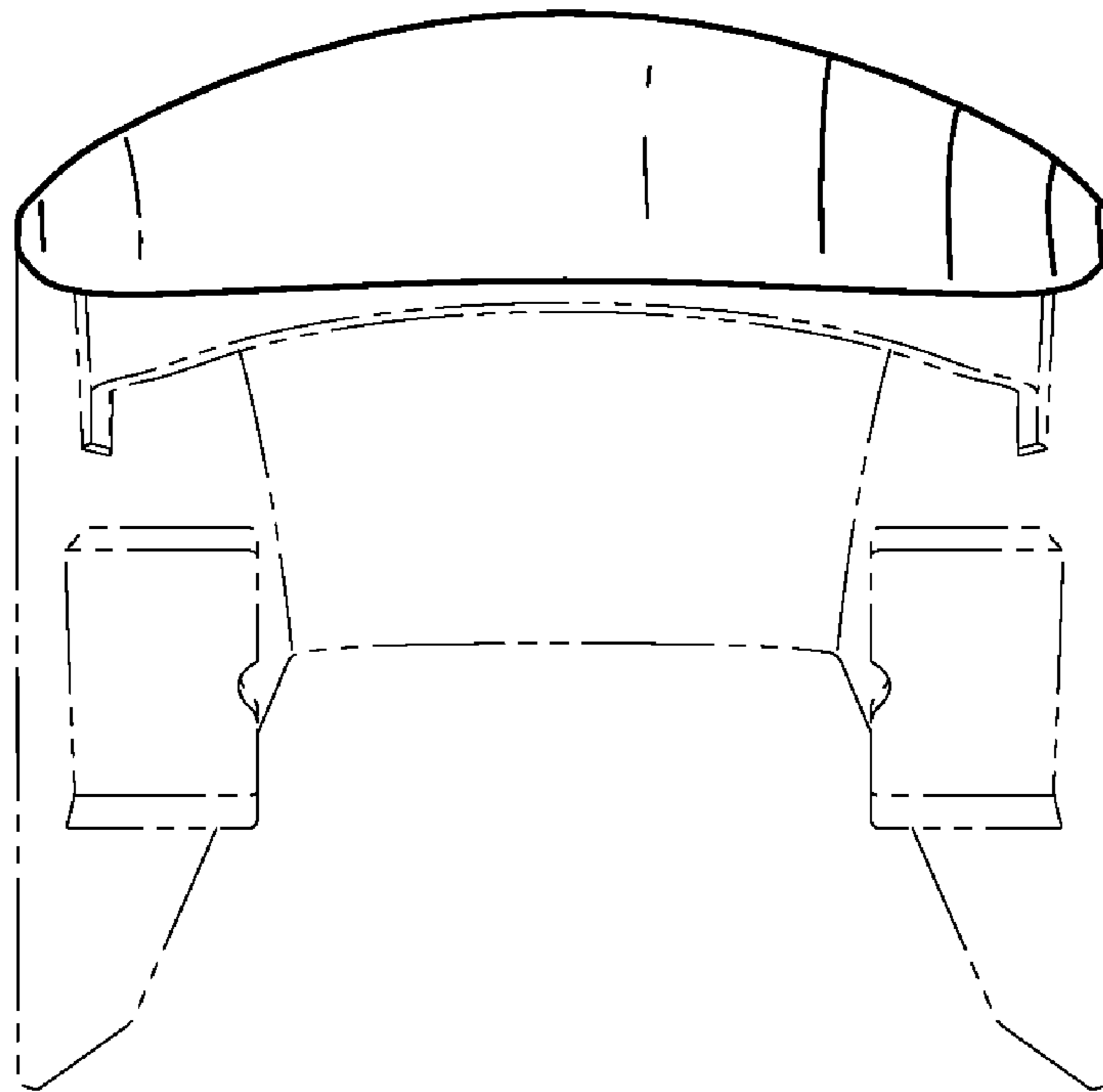


Fig. 6