



US00D630725S

(12) **United States Design Patent**  
**Pidgeon et al.**

(10) **Patent No.:** **US D630,725 S**  
(45) **Date of Patent:** **\*\* Jan. 11, 2011**

(54) **CANISTER**

(75) Inventors: **Andy Duncan Pidgeon**, Cambs (GB);  
**Richard Mann**, Cambridge (GB)

(73) Assignee: **Smith & Nephew PLC**, London (GB)

(\*\*) Term: **14 Years**

(21) Appl. No.: **29/343,582**

(22) Filed: **Sep. 15, 2009**

**Related U.S. Application Data**

(63) Continuation of application No. 29/294,240, filed on Dec. 28, 2007, now Pat. No. Des. 602,584.

**Foreign Application Priority Data**

(30) Jul. 2, 2007 (EM) ..... 000750146-001

(51) **LOC (9) Cl.** ..... **24-01**

(52) **U.S. Cl.** ..... **D24/108**

(58) **Field of Classification Search** ..... D24/158,  
D24/165, 186, 200, 232, 108, 169; 601/9-10,  
601/15; 600/1-2, 9-10, 13, 573; 607/61,  
607/63, 52, 100, 103, 115; 604/313-315,  
604/317, 327, 543, 541, 318-319, 35, 119,  
604/322

See application file for complete search history.

(56) **References Cited**

**U.S. PATENT DOCUMENTS**

D352,463 S 11/1994 Kubo  
D400,249 S 10/1998 Holubar et al.  
D406,899 S 3/1999 Cottle  
6,010,527 A 1/2000 Augustine et al.  
D434,150 S 11/2000 Tumey et al.

D439,341 S 3/2001 Tumey et al.  
D449,891 S 10/2001 Moro  
D456,514 S 4/2002 Brown et al.  
6,468,199 B1 10/2002 Satou et al.

(Continued)

**OTHER PUBLICATIONS**

U.S. Appl. No. 29/343,583, filed Sep. 15, 2009, Pidgeon et al.

(Continued)

*Primary Examiner*—Stella M Reid

*Assistant Examiner*—Wan Laymon

(74) *Attorney, Agent, or Firm*—Knobbe, Martens Olson & Bear LLP

(57) **CLAIM**

We claim the ornamental design for a canister, as shown and described.

**DESCRIPTION**

FIG. 1 is a perspective view of a canister.

FIG. 2 is a top plan view of the canister of FIG. 1.

FIG. 3 is a front elevation view of the canister of FIG. 1.

FIG. 4 is a rear elevation view of the canister of FIG. 1.

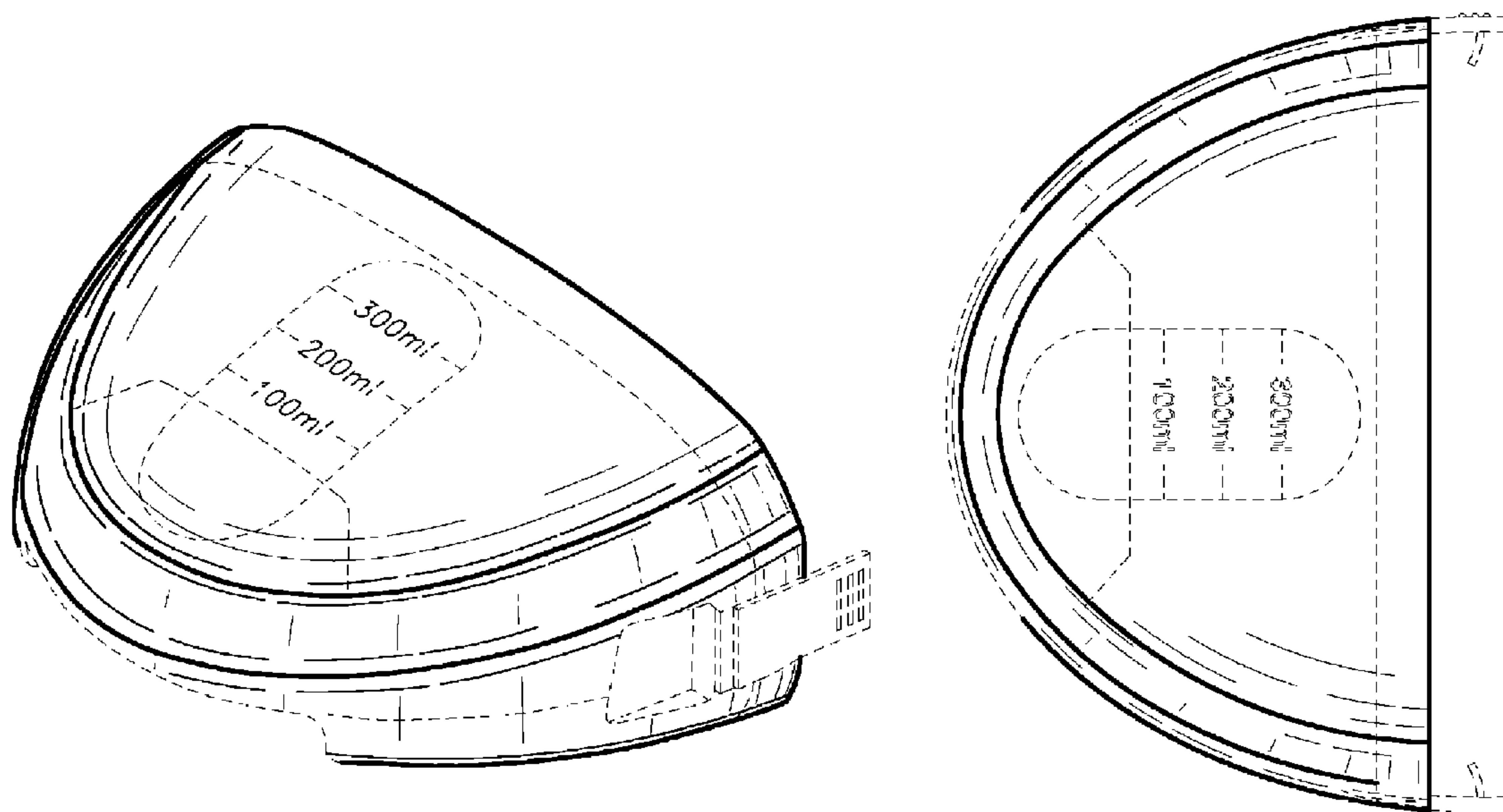
FIG. 5 is a right side view of the canister of FIG. 1.

FIG. 6 is a left side view of the canister of FIG. 1; and,

FIG. 7 is a bottom view of the canister of FIG. 1.

The broken lines in the drawings that are immediately adjacent to the shaded areas represent an unclaimed boundary of the claimed design. The broken lines showing the remainder of the canister are for illustrative purposes only and form no part of the claimed design.

**1 Claim, 2 Drawing Sheets**



# US D630,725 S

Page 2

---

## U.S. PATENT DOCUMENTS

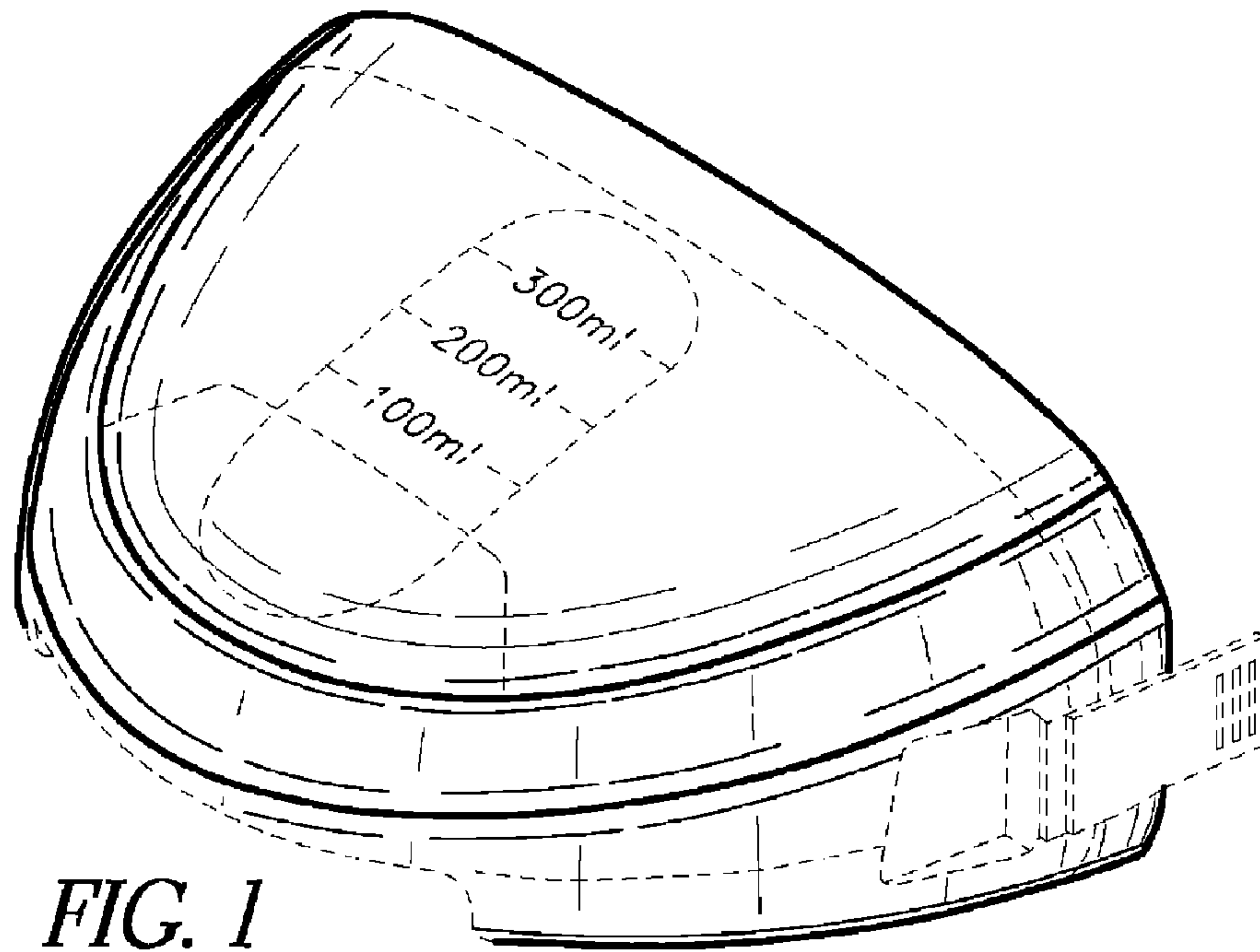
D475,132 S \* 5/2003 Randolph ..... D24/108  
D481,459 S 10/2003 Nahm  
6,755,807 B2 6/2004 Risk, Jr. et al.  
D504,953 S 5/2005 Ryan  
D522,657 S 6/2006 Murphy et al.  
D537,944 S 3/2007 Eda et al.  
D544,092 S 6/2007 Lewis  
D548,347 S 8/2007 Ichino et al.  
D585,137 S \* 1/2009 Onoda et al. .... D24/169  
D587,901 S 3/2009 Pidgeon et al.  
D594,114 S 6/2009 Locke et al.  
D602,582 S 10/2009 Pidgeon et al.

D602,583 S 10/2009 Pidgeon et al.  
D602,584 S 10/2009 Pidgeon et al.  
D607,202 S 1/2010 Pidgeon et al.  
2008/0033400 A1 2/2008 Holper et al.  
2009/0299306 A1\* 12/2009 Buan ..... 604/319  
2010/0187065 A1\* 7/2010 Pidgeon et al. .... 190/115  
2010/0207768 A1\* 8/2010 Pidgeon et al. .... 340/573.1

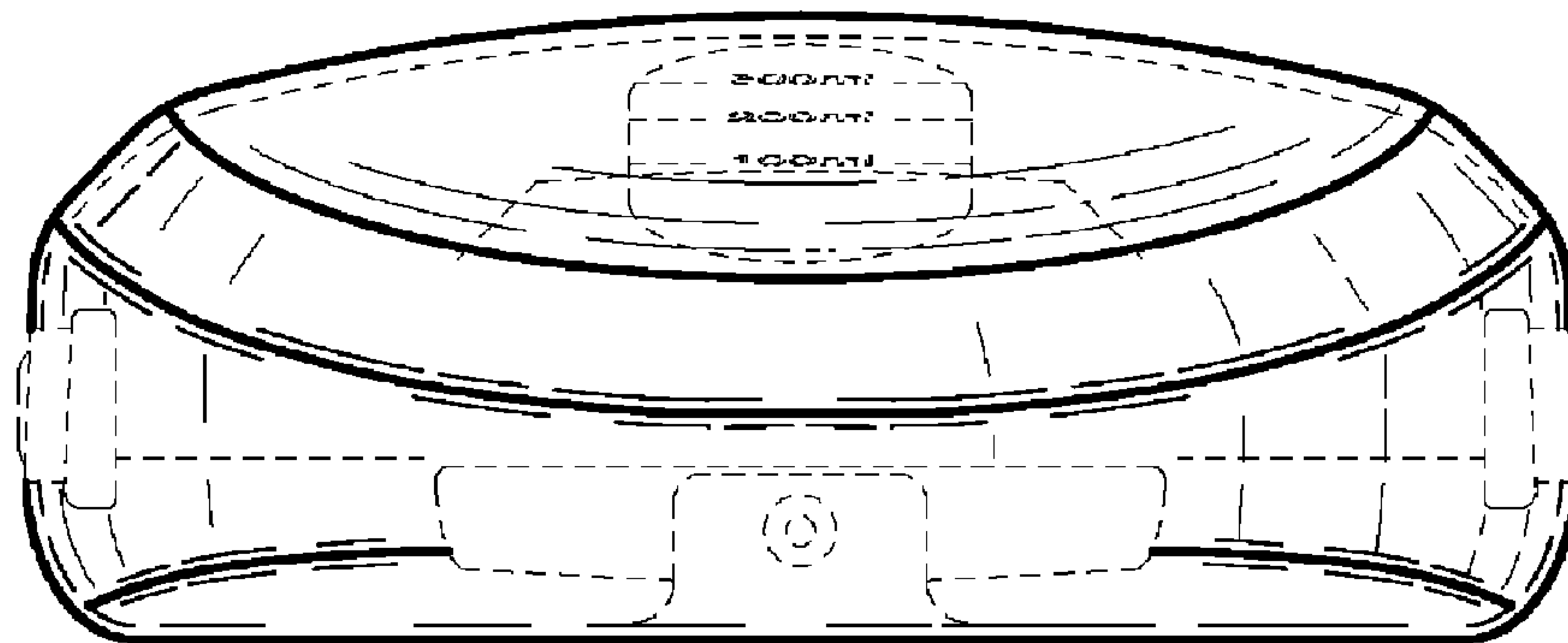
## OTHER PUBLICATIONS

U.S. Appl. No. 29/343,584, filed Sep. 15, 2009, Pidgeon et al.  
U.S. Appl. No. 29/351,416, filed Dec. 4, 2009, Mario Gonzalez.

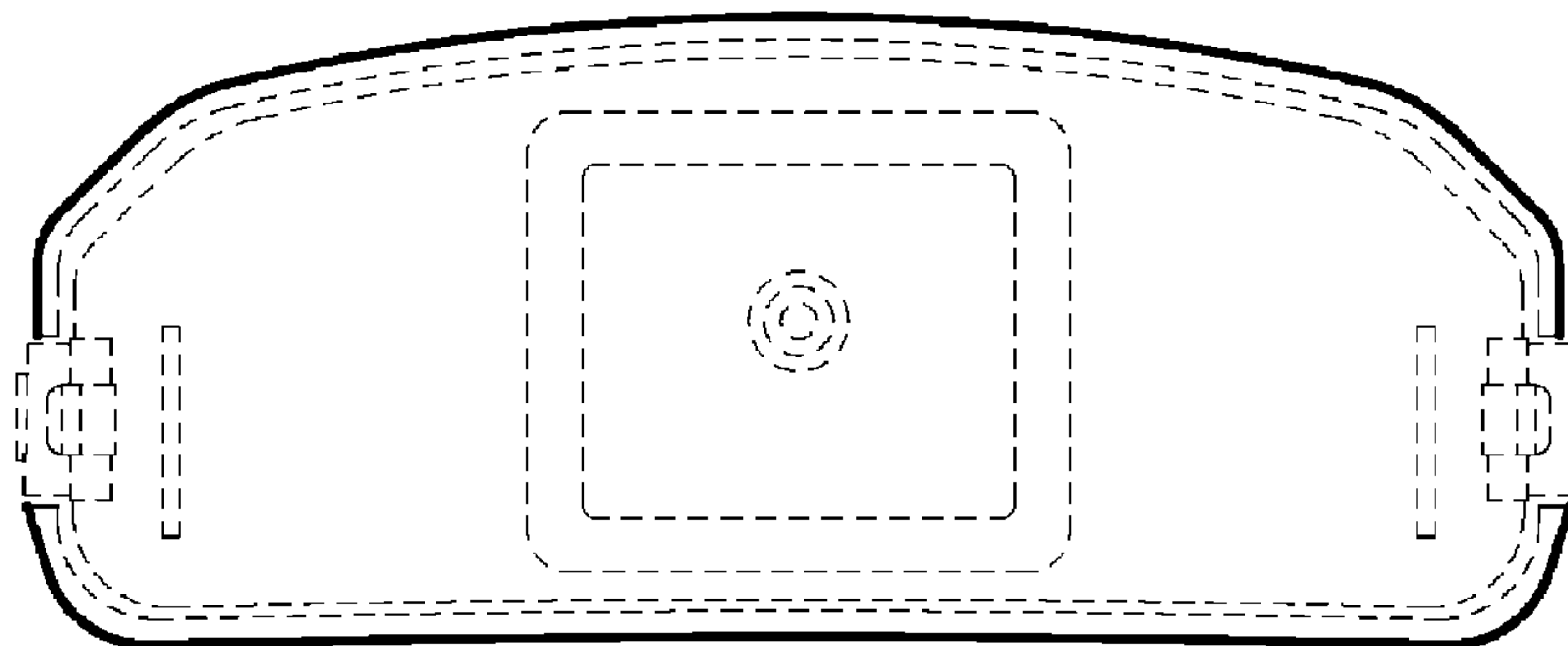
\* cited by examiner



*FIG. 1*



*FIG. 3*



*FIG. 4*

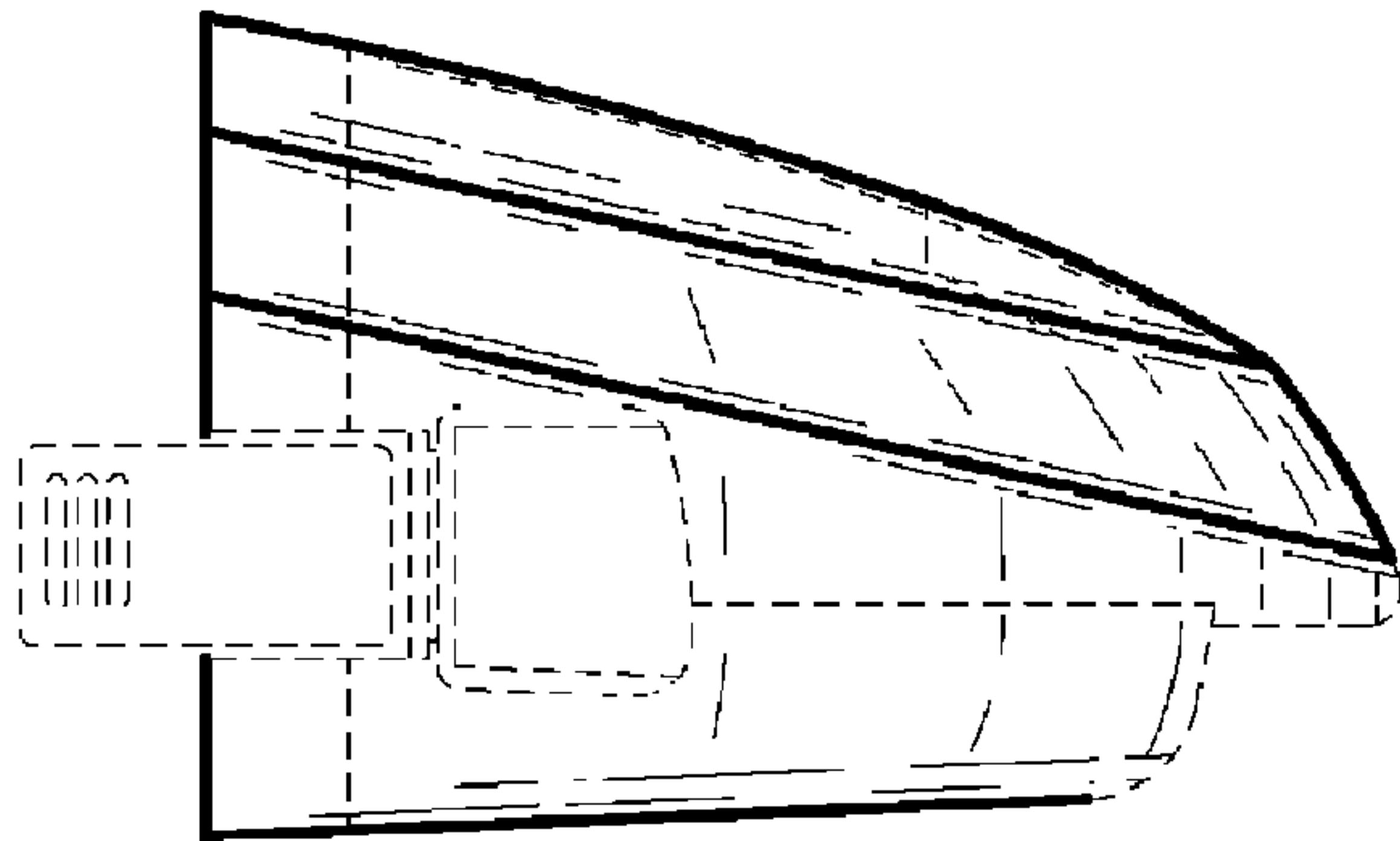


FIG. 5

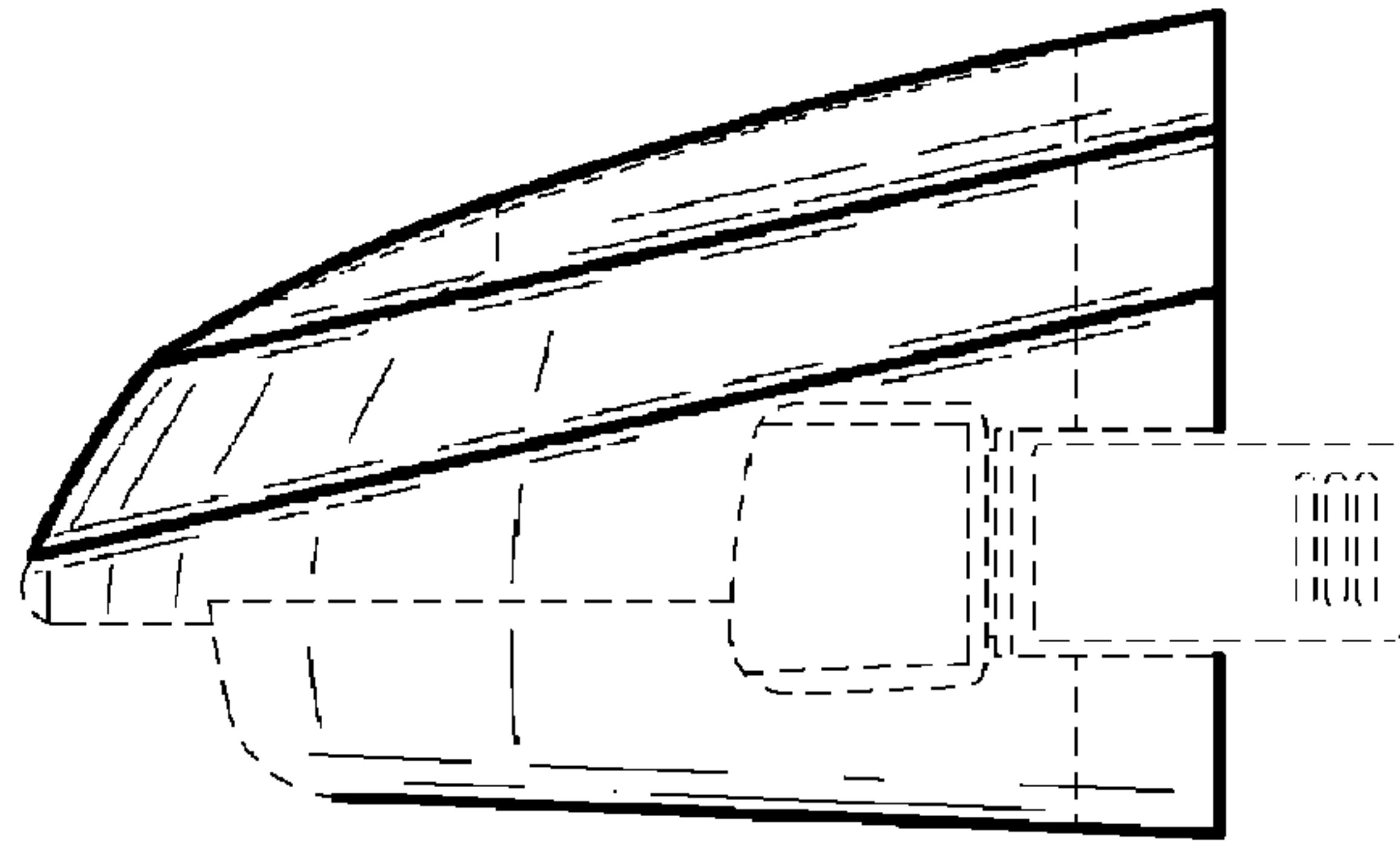


FIG. 6

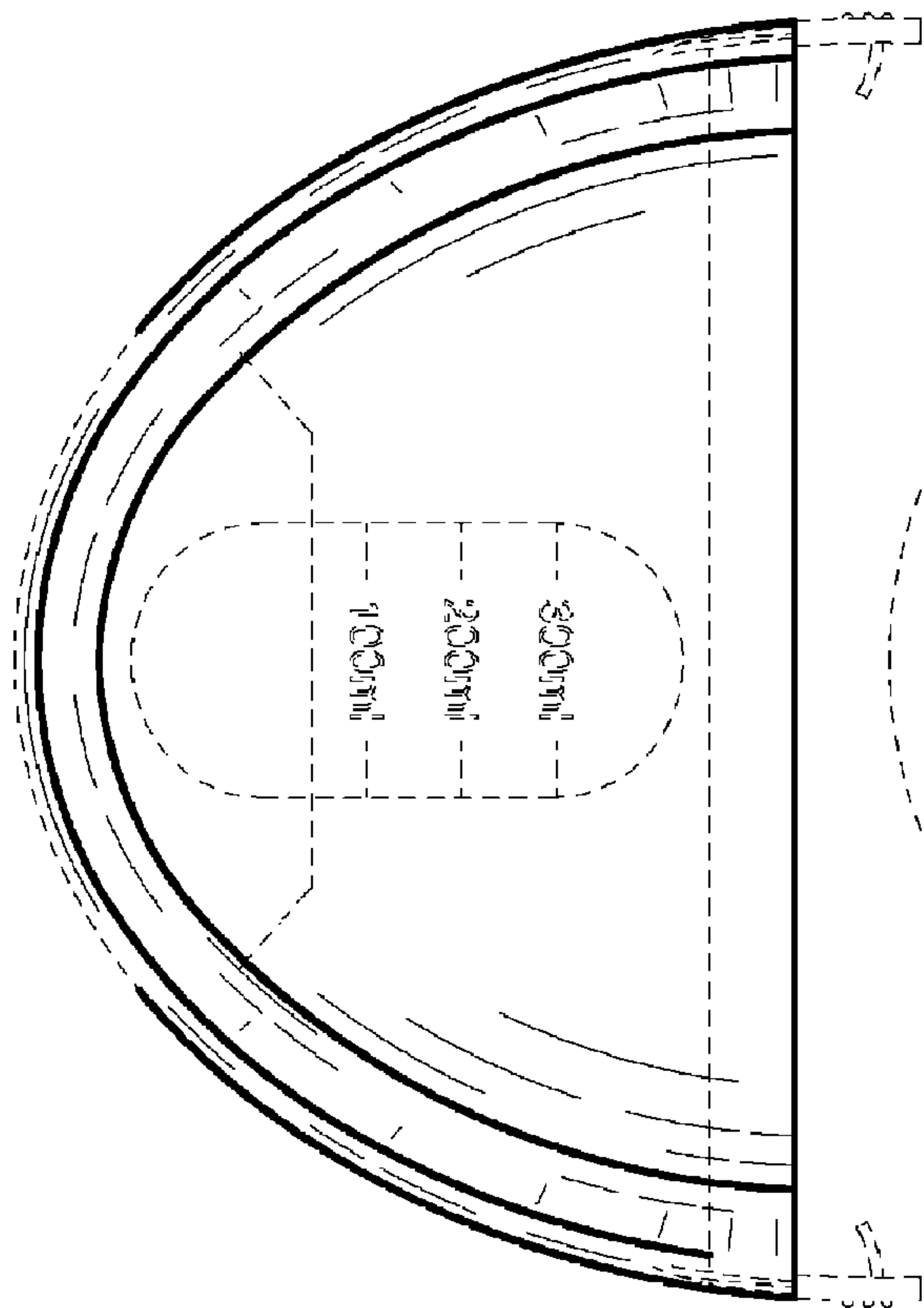


FIG. 2

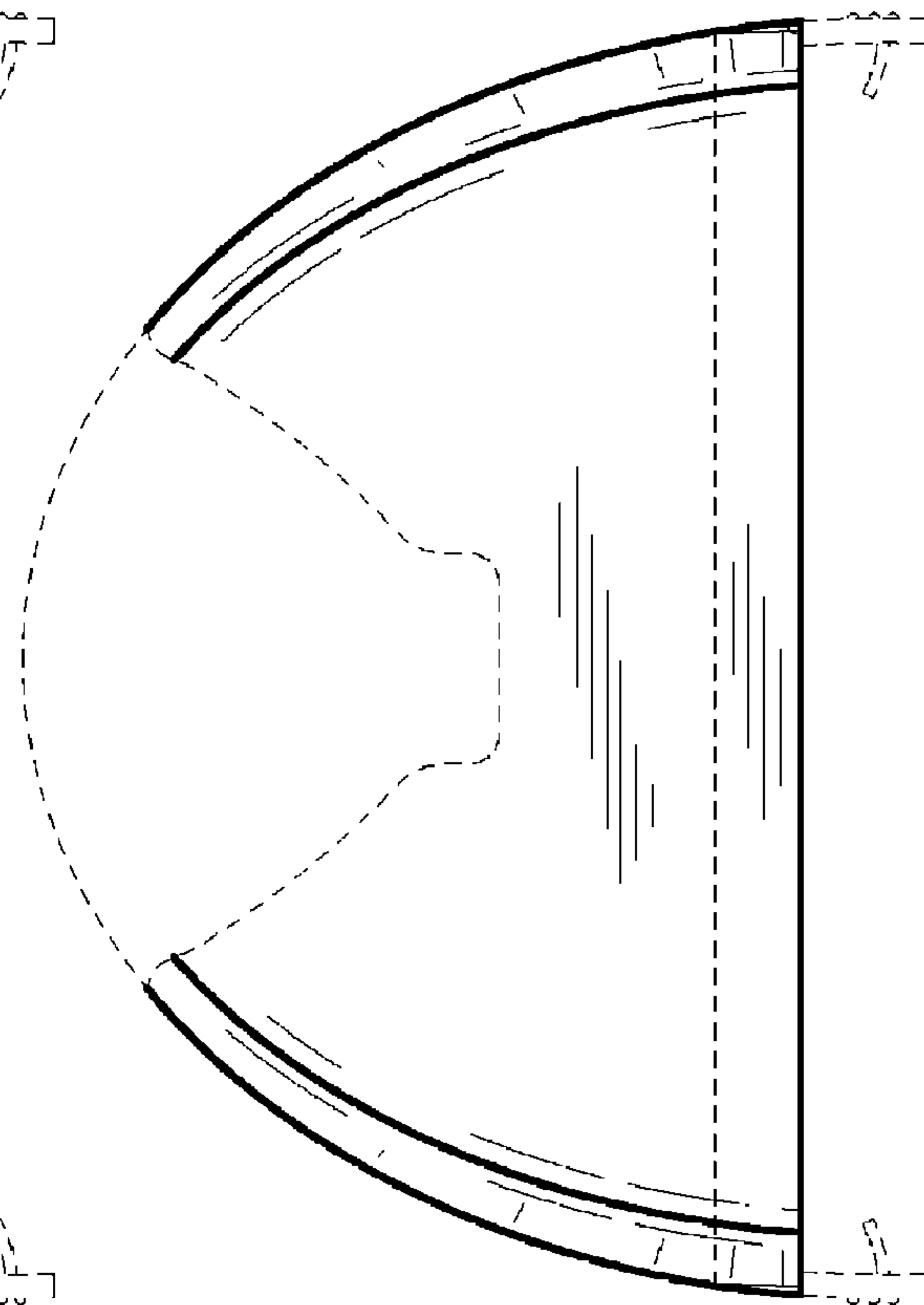


FIG. 7