



US00D630723S

(12) **United States Design Patent**  
**Ediger et al.**

(10) **Patent No.:** **US D630,723 S**  
(45) **Date of Patent:** **\*\* Jan. 11, 2011**

(54) **AIR CIRCULATOR**  
(75) Inventors: **Glen W. Ediger**, North Newton, KS (US); **Gary P. Israel**, Andover, KS (US)  
(73) Assignee: **Vornado Air LLC**, Andover, KS (US)  
(\*\*) Term: **14 Years**  
(21) Appl. No.: **29/356,844**  
(22) Filed: **Mar. 3, 2010**

(51) **LOC (9) Cl.** ..... **23-04**  
(52) **U.S. Cl.** ..... **D23/411**  
(58) **Field of Classification Search** ..... D23/382,  
D23/381, 332, 370, 411, 412; 416/246 R,  
416/247 R, 244 R  
See application file for complete search history.

(56) **References Cited**

U.S. PATENT DOCUMENTS

D442,274 S *	5/2001	Lee et al.	.....	D23/411
D595,836 S	7/2009	Ediger		
D596,284 S	7/2009	Ediger		
D599,463 S	9/2009	Israel		
D605,280 S *	12/2009	Chen	.....	D23/382
D617,440 S *	6/2010	Ching	.....	D23/382

\* cited by examiner

*Primary Examiner*—Lisa P Lichtenstein  
(74) *Attorney, Agent, or Firm*—Advent IP, P.C., L.L.O.

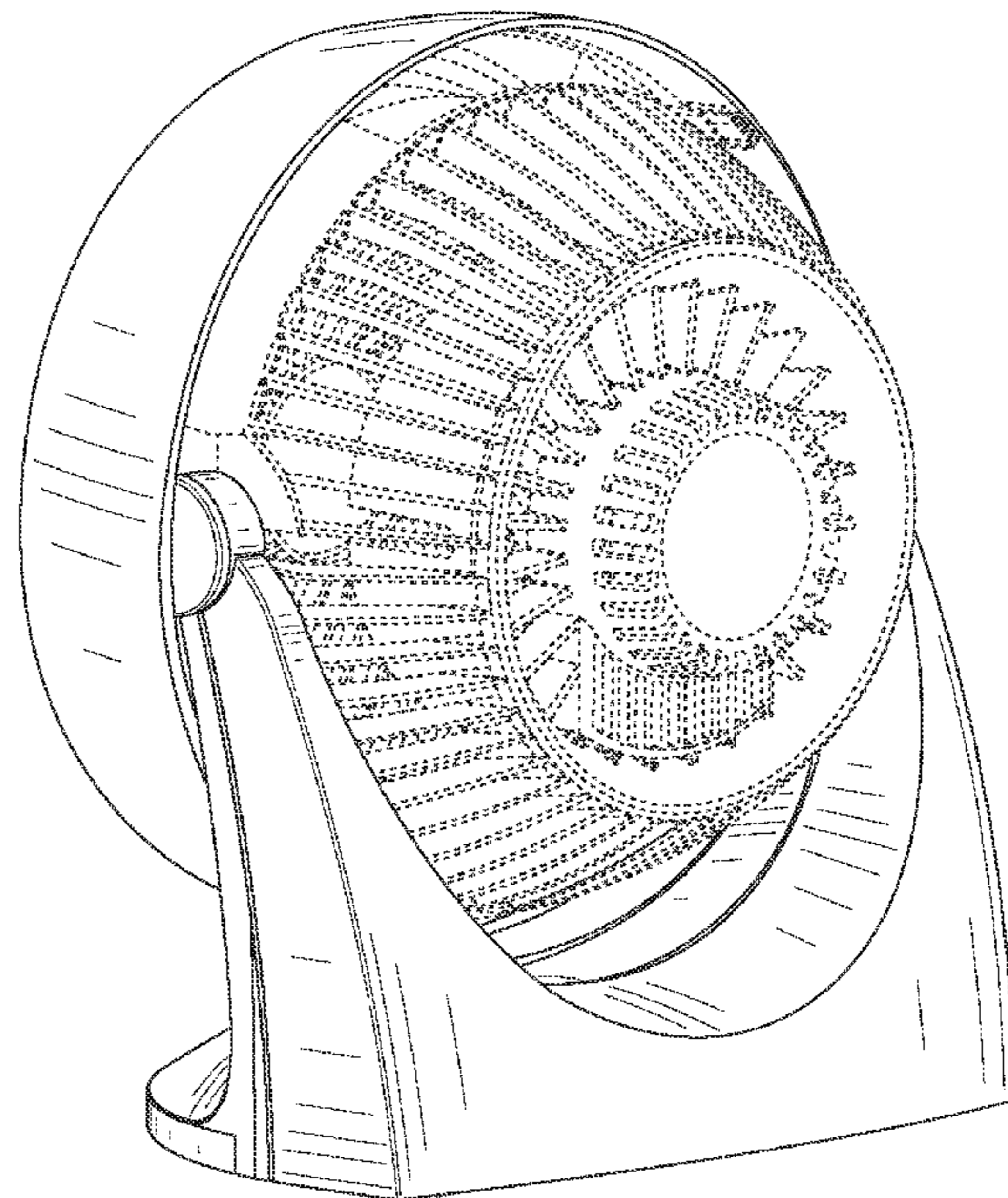
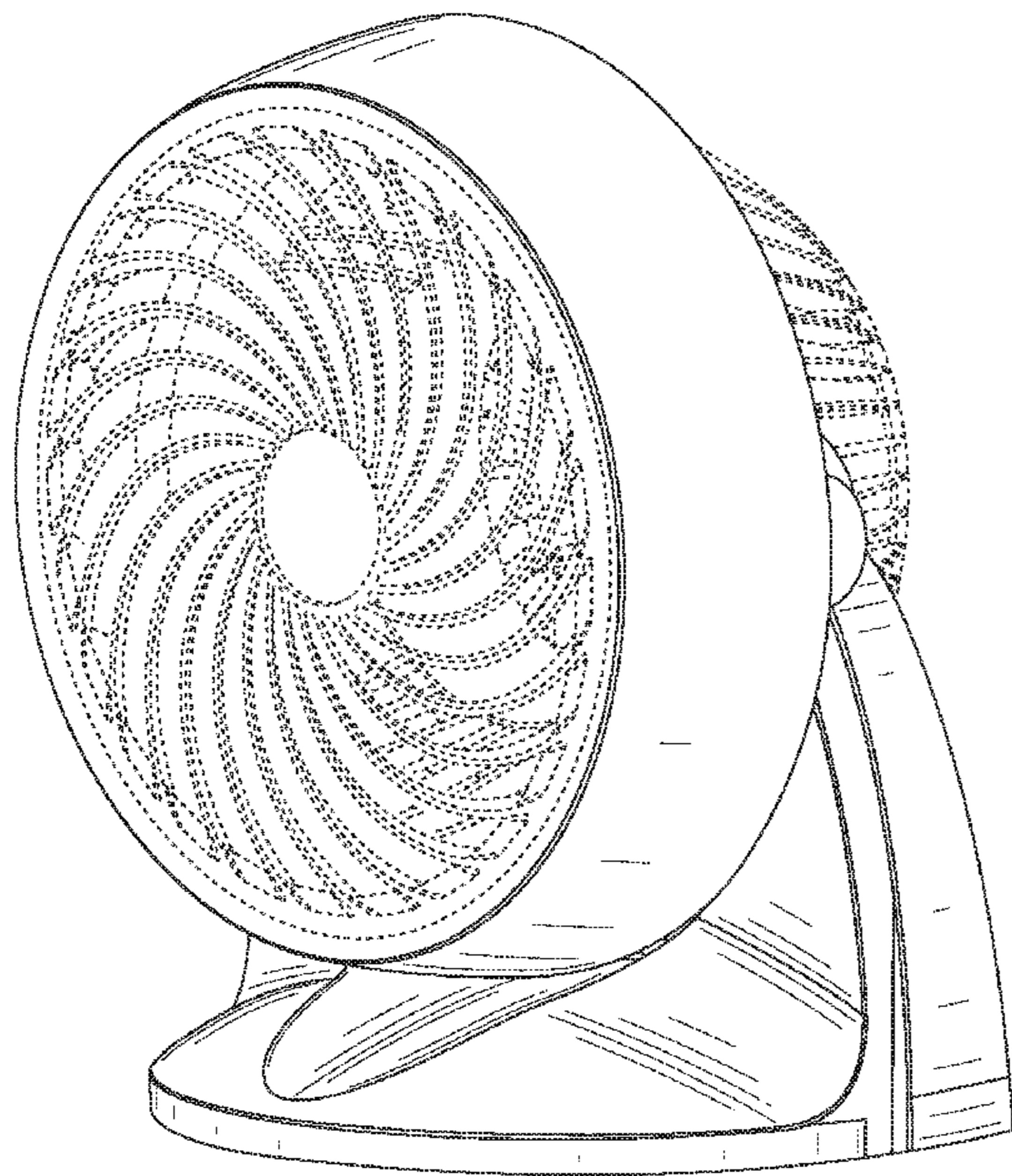
(57) **CLAIM**

The ornamental design for an air circulator, as shown and described.

**DESCRIPTION**

FIG. 1 is a front left perspective view of the air circulator;  
FIG. 2 is a rear left perspective view of the air circulator of FIG. 1;  
FIG. 3 is a front elevation view of the air circulator of FIG. 1;  
FIG. 4 is a rear elevation view of the air circulator of FIG. 1;  
FIG. 5 is a left side view of the air circulator of FIG. 1;  
FIG. 6 is a right side view of the air circulator of FIG. 1;  
FIG. 7 is a top plan view of the air circulator of FIG. 1; and,  
FIG. 8 is a bottom plan view of the air circulator of FIG. 1.  
The broken line showing of portions of an air circulator is included for the purpose of illustrating environmental structure and forms no part of the claimed design.

**1 Claim, 8 Drawing Sheets**



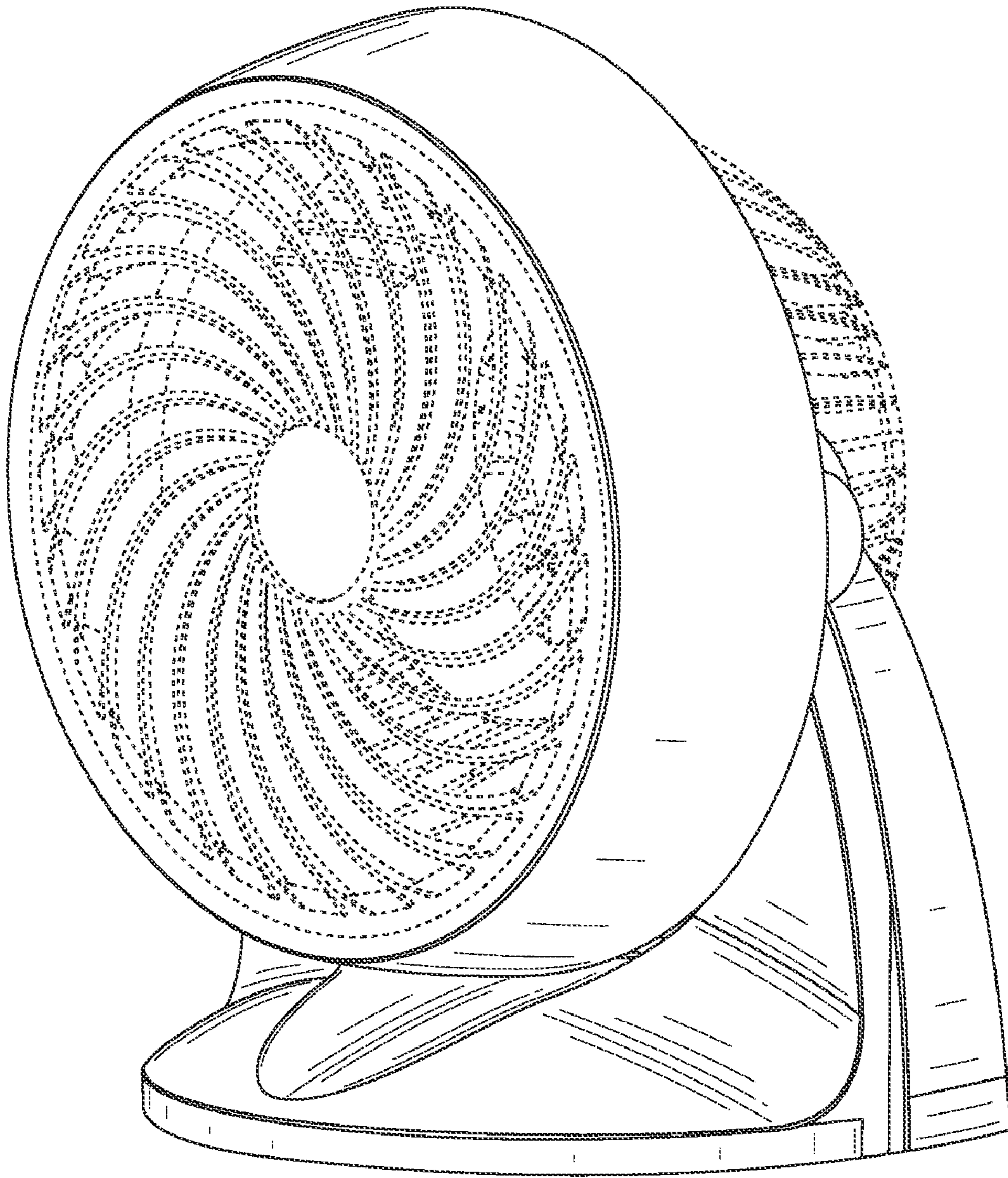


FIG. 1

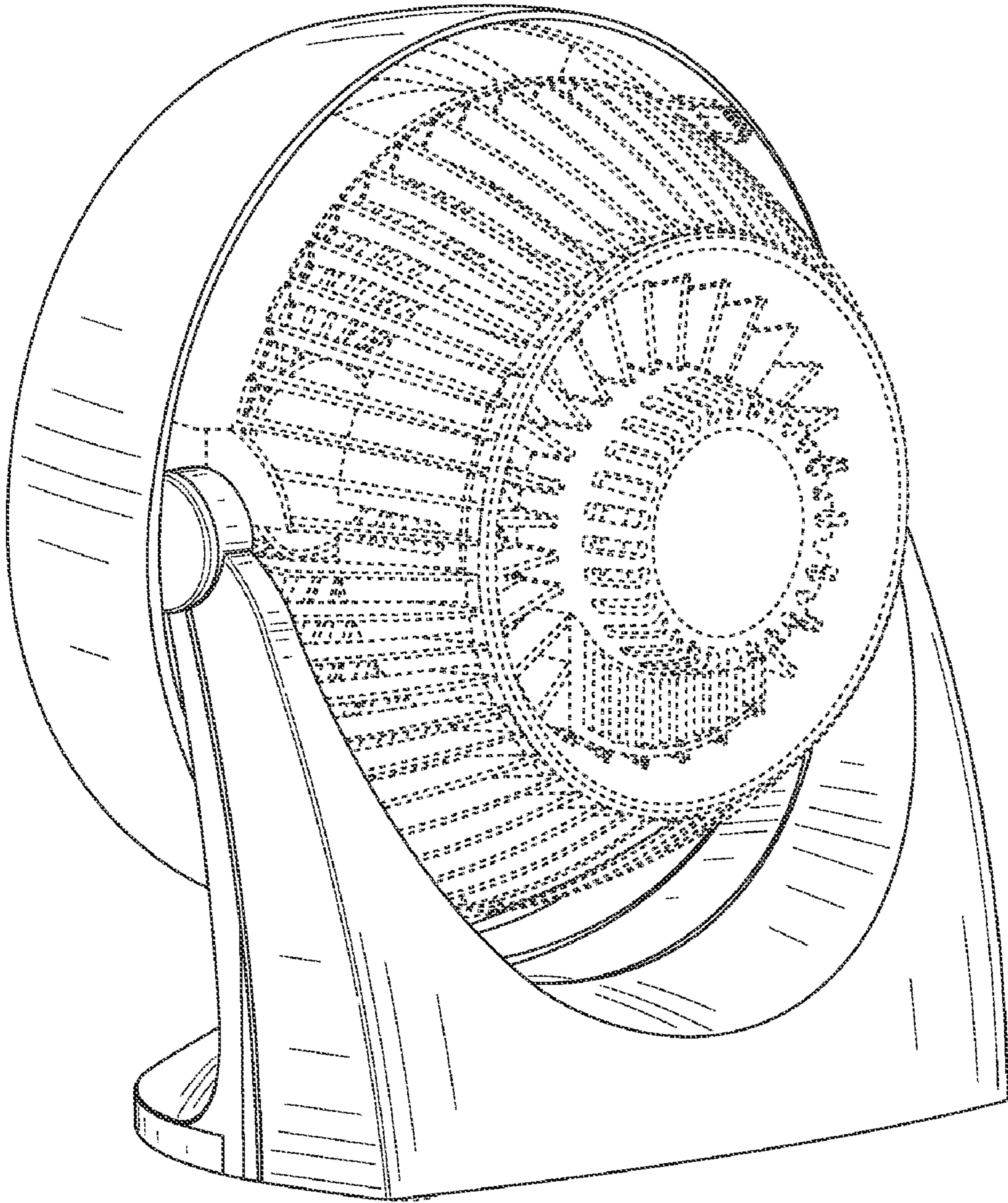


FIG. 2

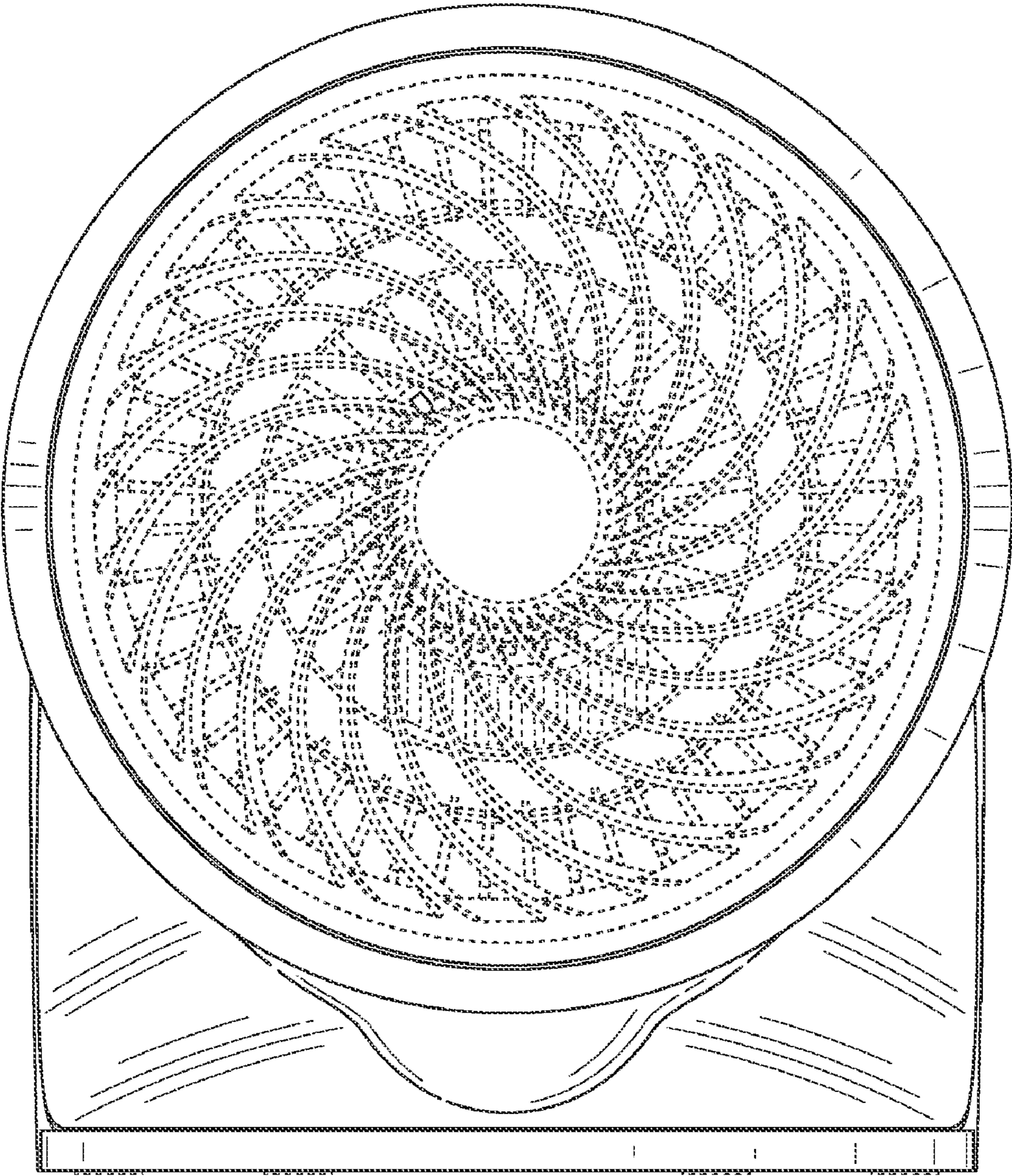


FIG. 3

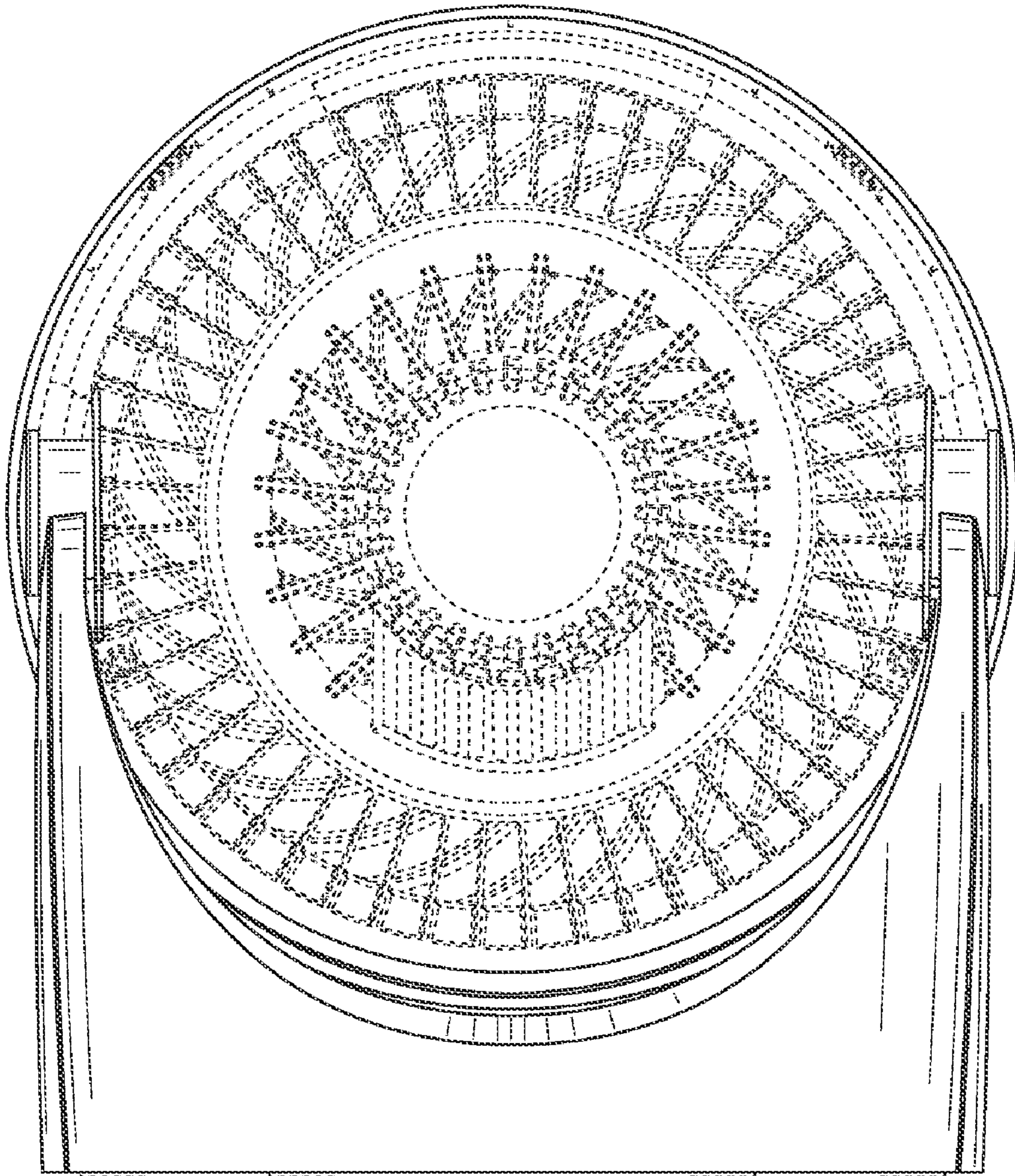


FIG. 4

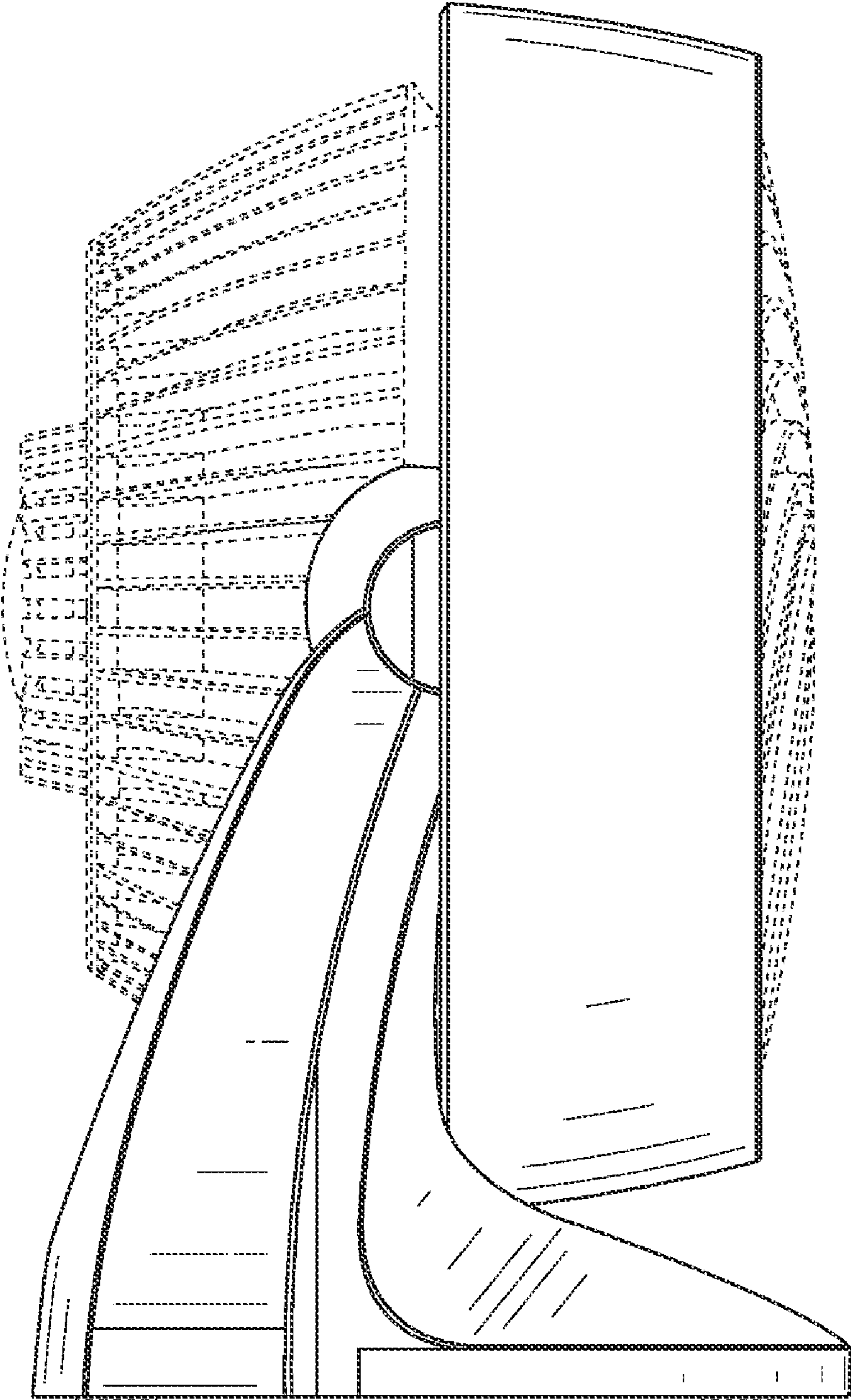


FIG. 5

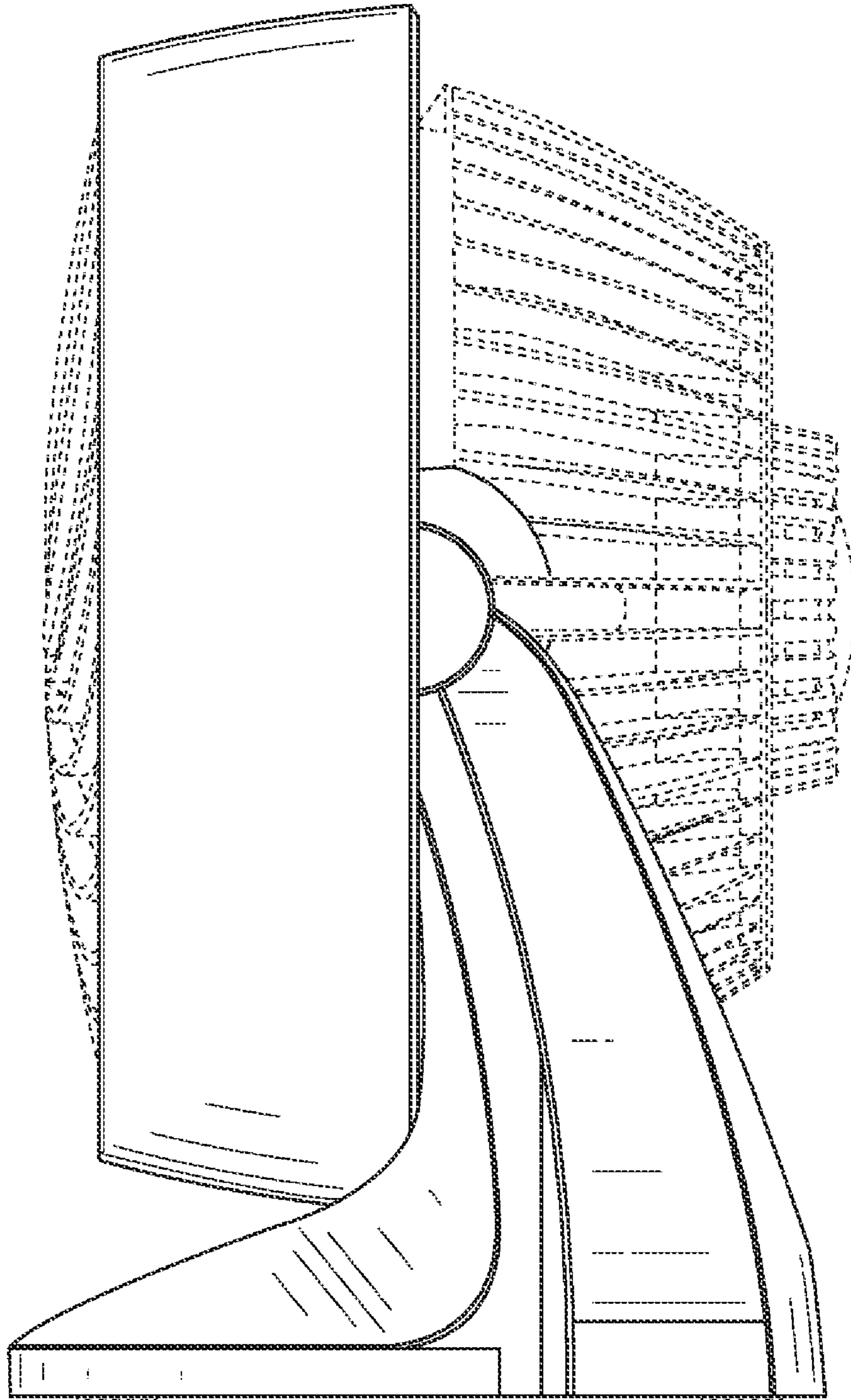


FIG. 6

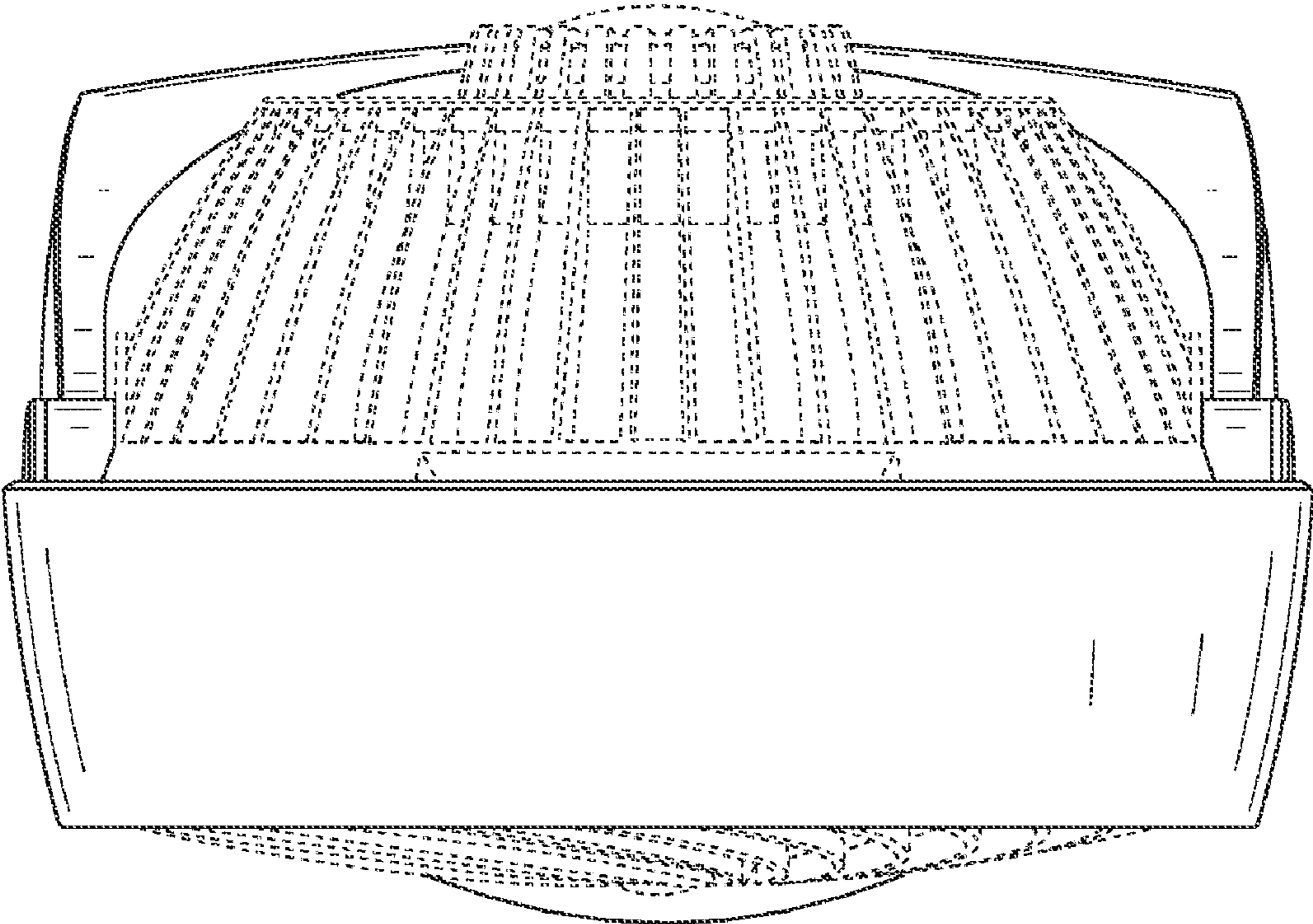
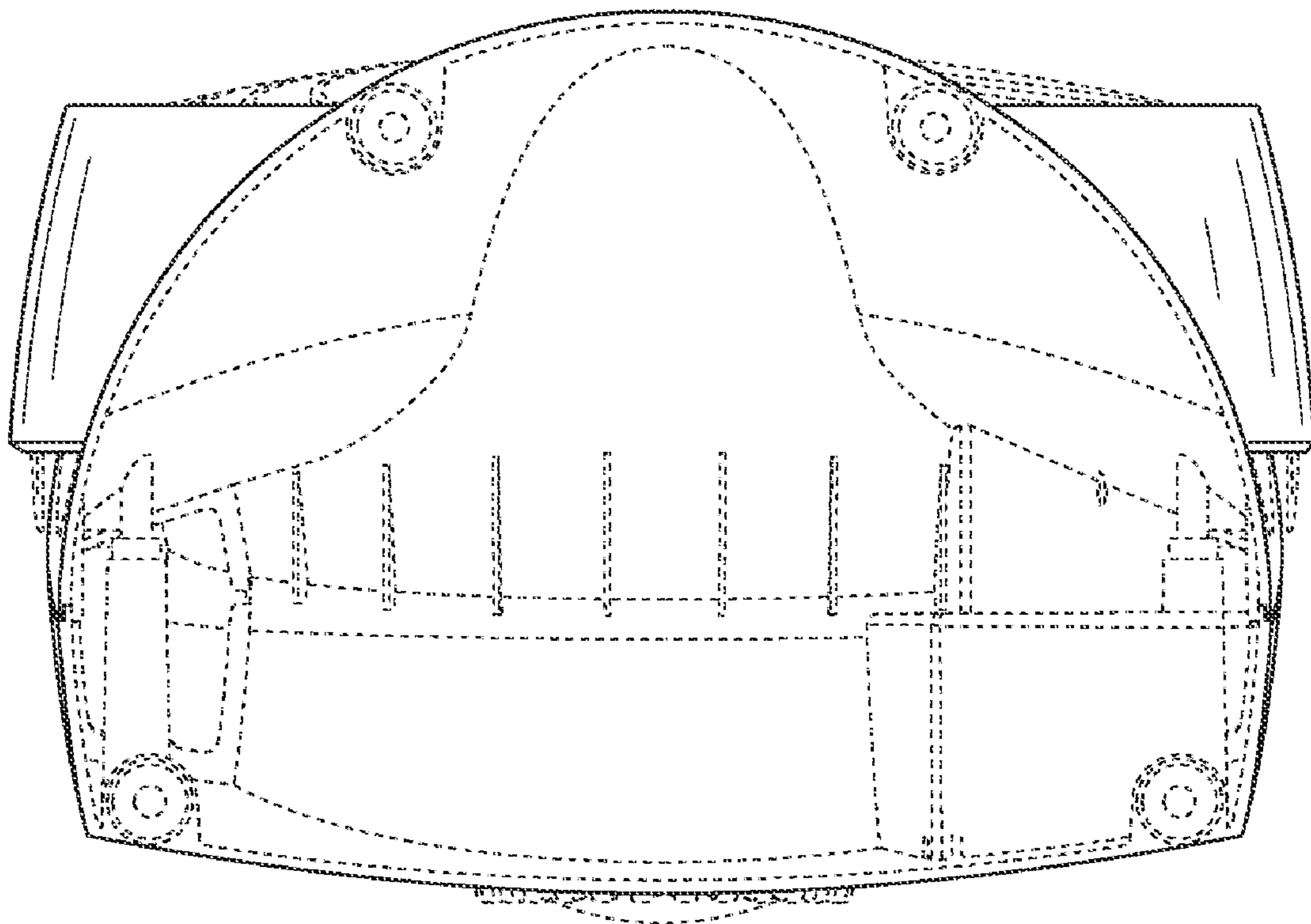


FIG. 7





**FIG. 8**