



US00D630722S

(12) **United States Design Patent**  
**Pickett**

(10) **Patent No.:** **US D630,722 S**

(45) **Date of Patent:** **\*\* Jan. 11, 2011**

(54) **BLADE HOLDER**

(76) **Inventor:** **Mark Pickett**, 1419 E. Palm St.,  
Altadena, CA (US) 91001

(\*\*) **Term:** **14 Years**

(21) **Appl. No.:** **29/335,460**

(22) **Filed:** **Apr. 16, 2009**

(51) **LOC (9) Cl.** ..... **23-04**

(52) **U.S. Cl.** ..... **D23/411**

(58) **Field of Classification Search** ..... D23/377,  
D23/379, 385, 411, 413; 416/5  
See application file for complete search history.

(56) **References Cited**

**U.S. PATENT DOCUMENTS**

D545,422 S *	6/2007	Glasbrenner	.....	D23/377
D572,825 S	7/2008	Hidalgo		
D574,483 S	8/2008	Hidalgo		
D574,945 S	8/2008	Hidalgo		
D574,949 S	8/2008	Hidalgo		
D583,040 S	12/2008	Hidalgo		
D594,550 S *	6/2009	Pan	.....	D23/411
D595,404 S *	6/2009	Pan	.....	D23/411

\* cited by examiner

*Primary Examiner*—Lisa P Lichtenstein

(74) *Attorney, Agent, or Firm*—Parsons & Goltry; Michael W. Goltry; Robert A. Parsons

(57) **CLAIM**

The ornamental design for a blade holder, as shown and described.

**DESCRIPTION**

FIG. 1 is a bottom perspective view of a blade holder showing my new design;

FIG. 2 is a top perspective view thereof;

FIG. 3 is a bottom plan view thereof;

FIG. 4 is a top plan view thereof;

FIG. 5 is a right side elevation view thereof;

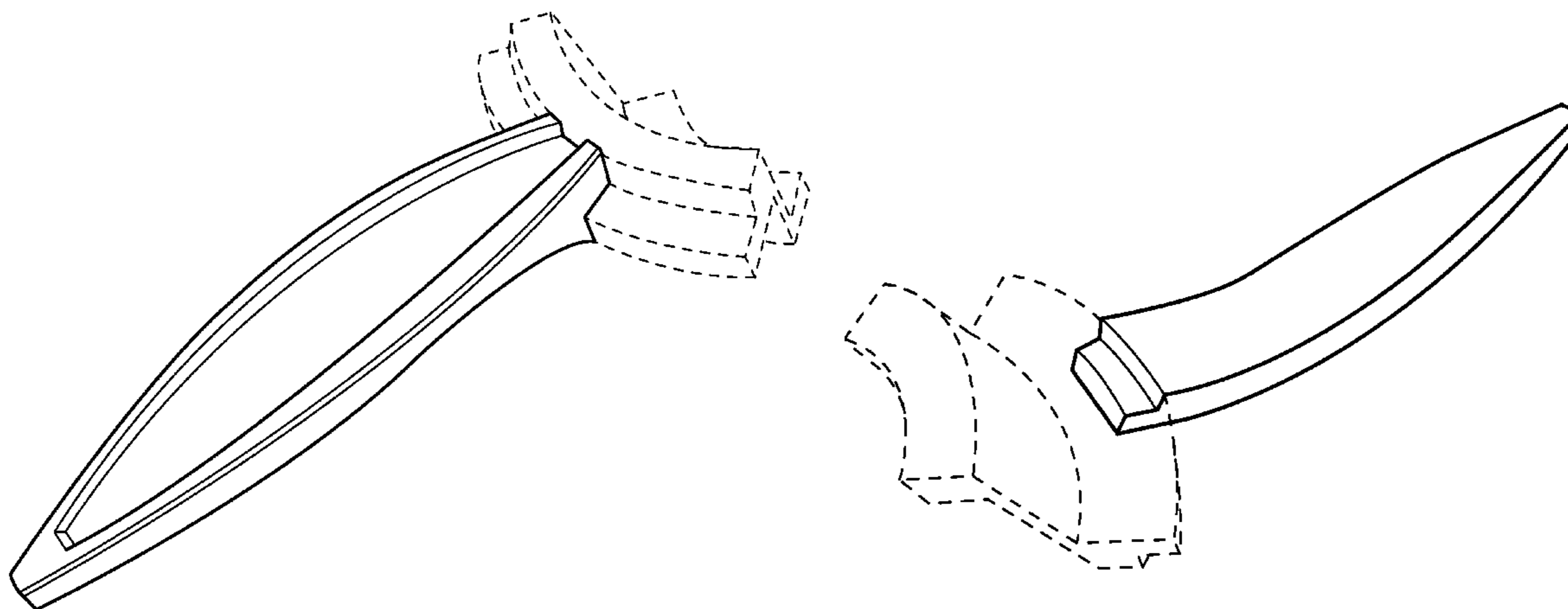
FIG. 6 is a left side elevation view thereof;

FIG. 7 is a front elevation view thereof; and

FIG. 8 is a rear elevation view thereof.

The broken line showing of the blade holder attachment member is included for the purpose of illustrating environmental structure and forms no part of the claimed design.

**1 Claim, 5 Drawing Sheets**



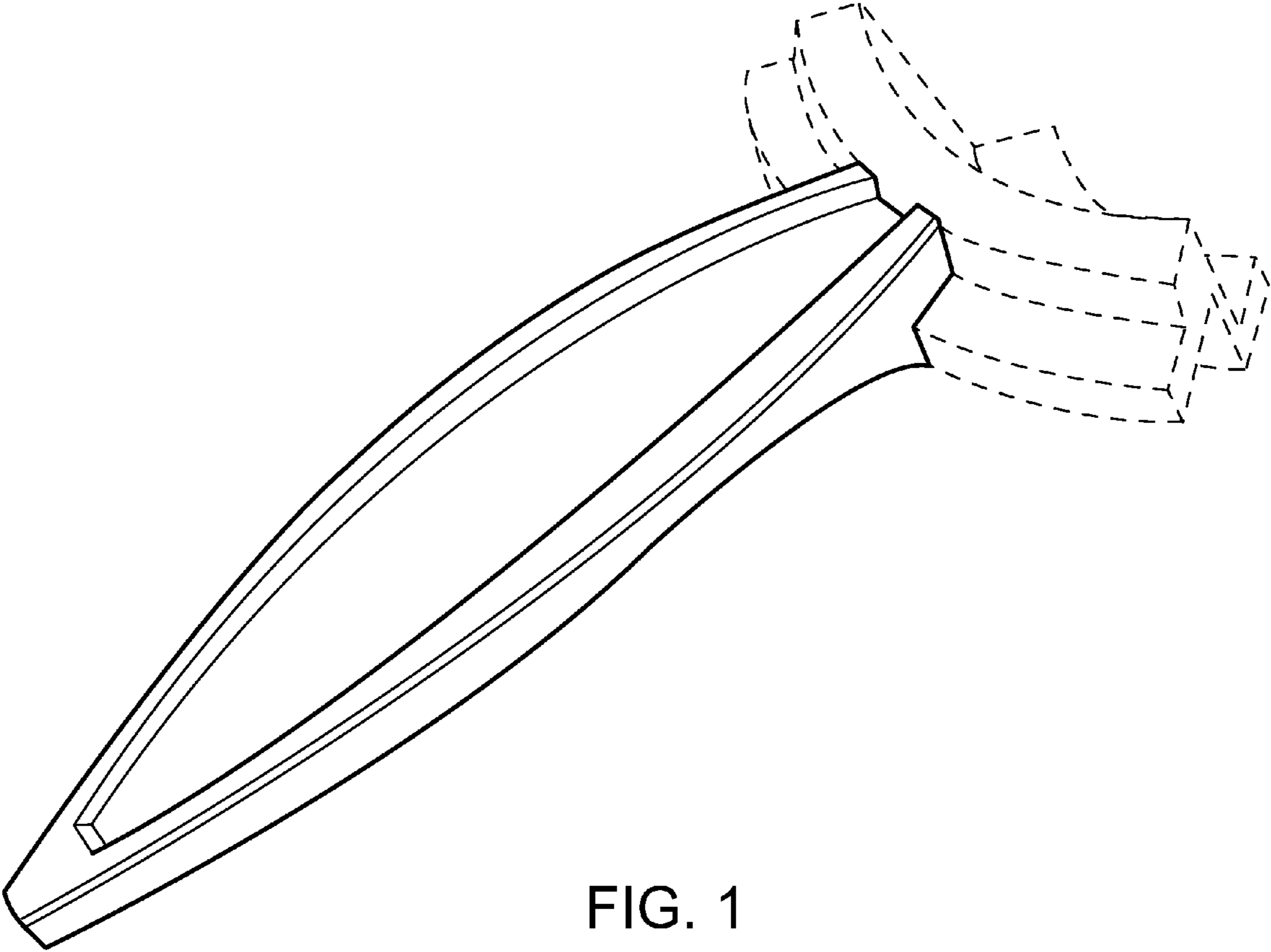


FIG. 1

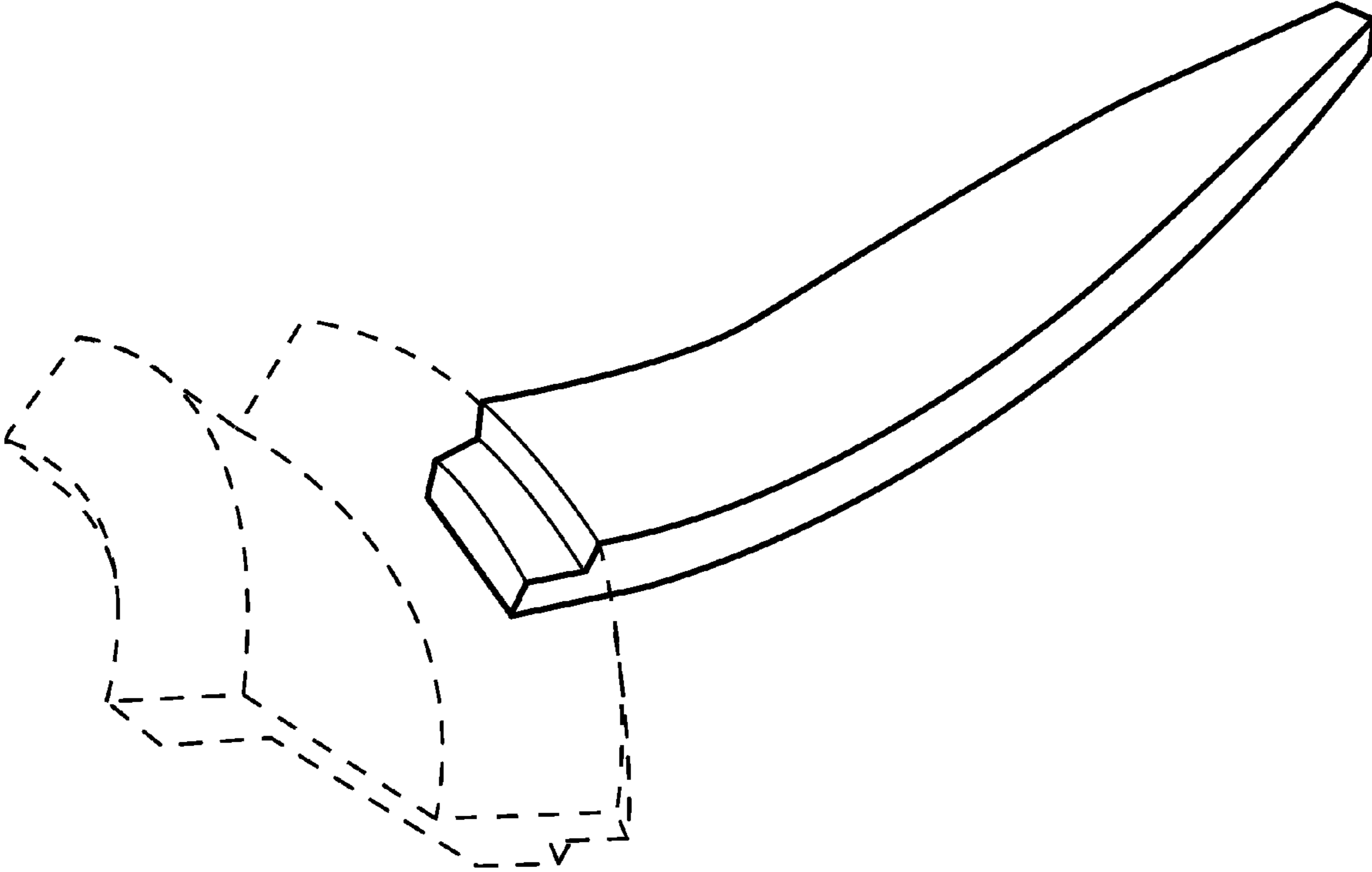


FIG. 2

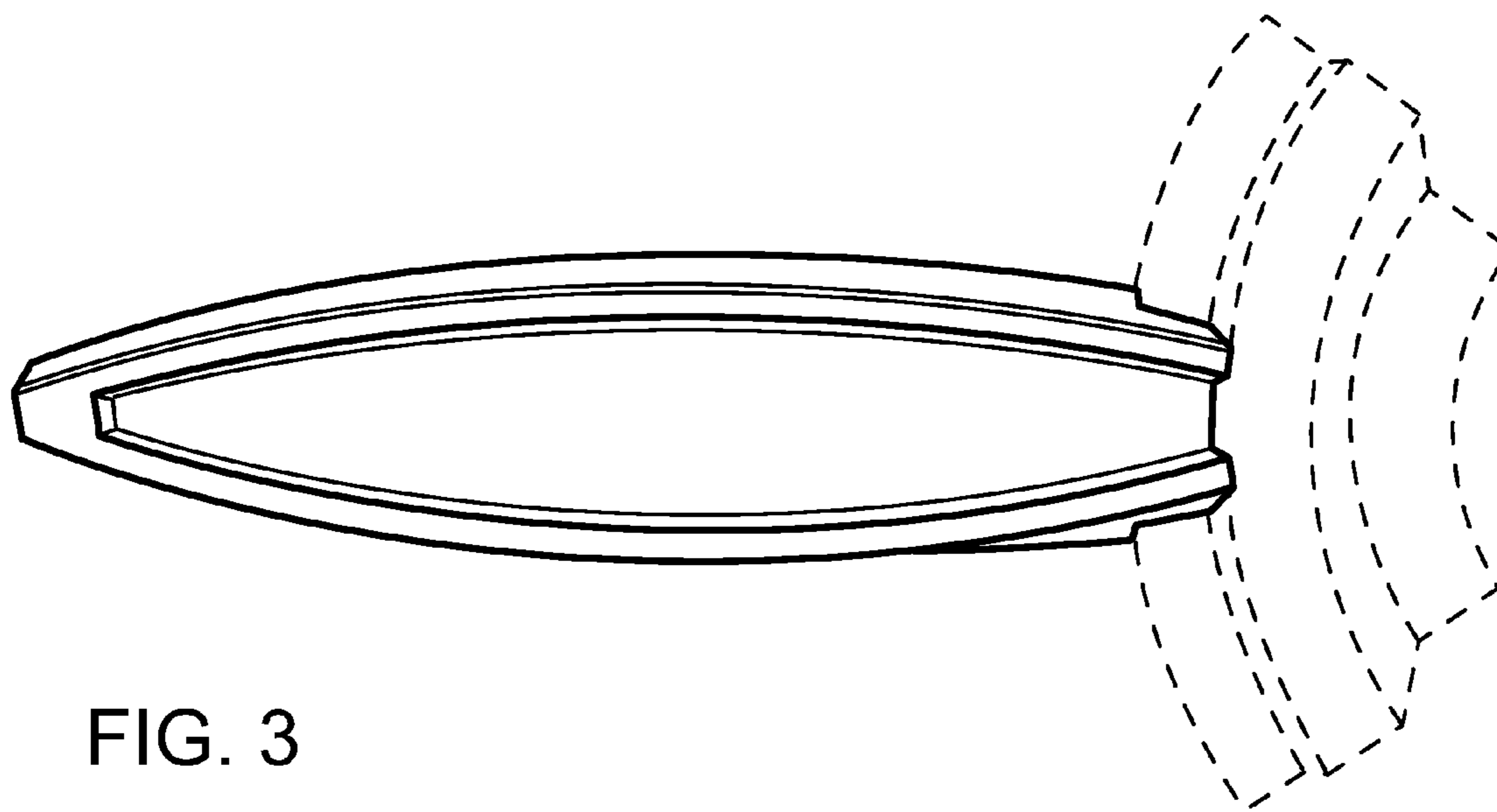


FIG. 3

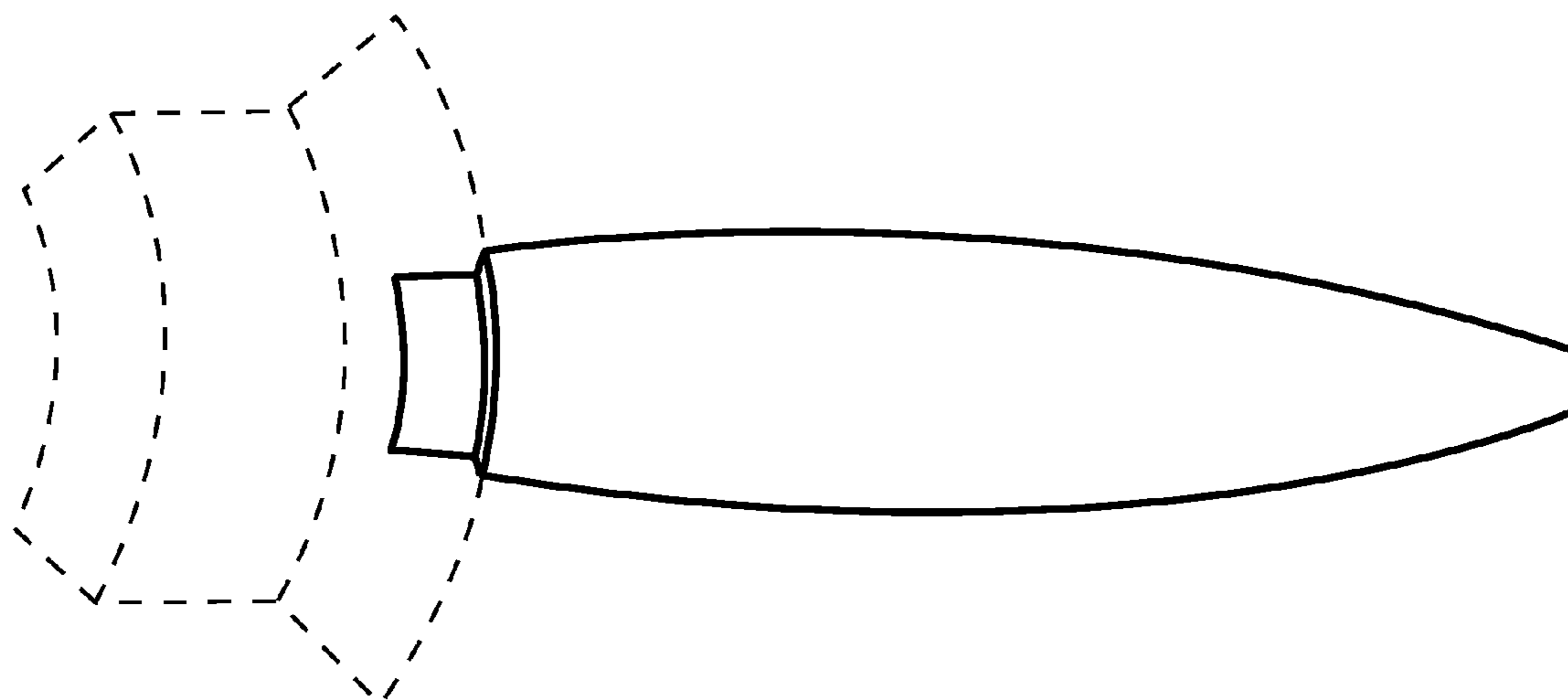


FIG. 4

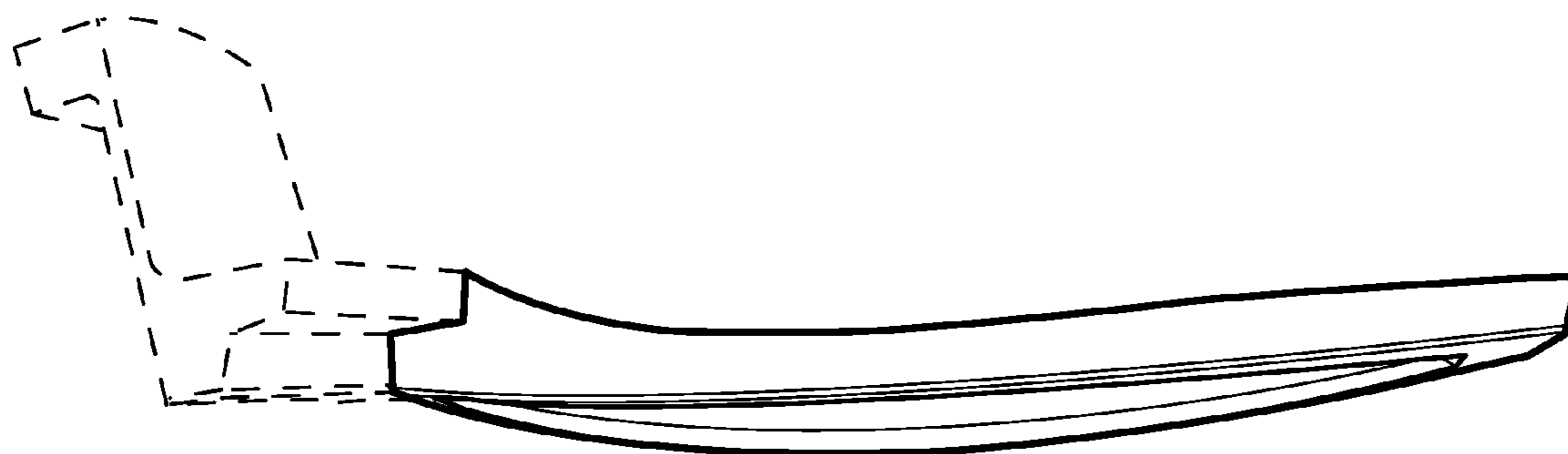


FIG. 5

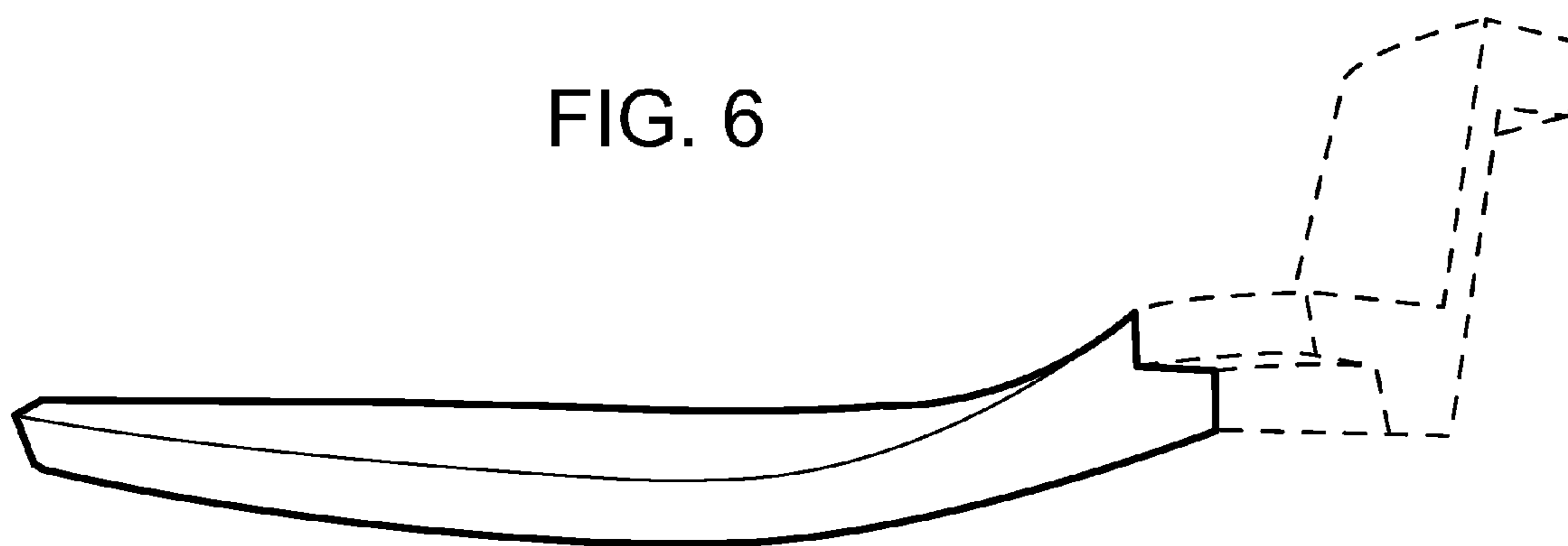


FIG. 6

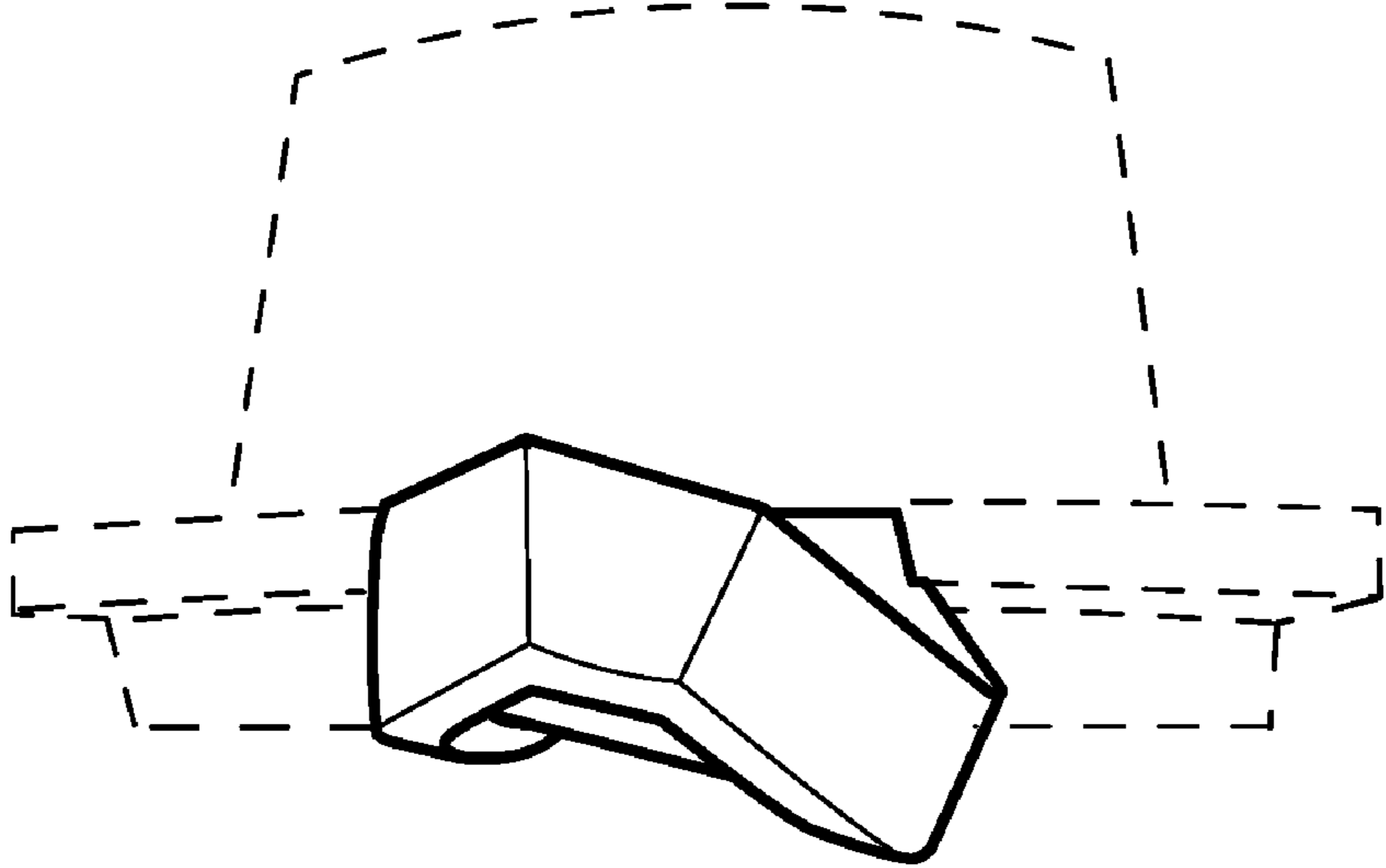


FIG. 7

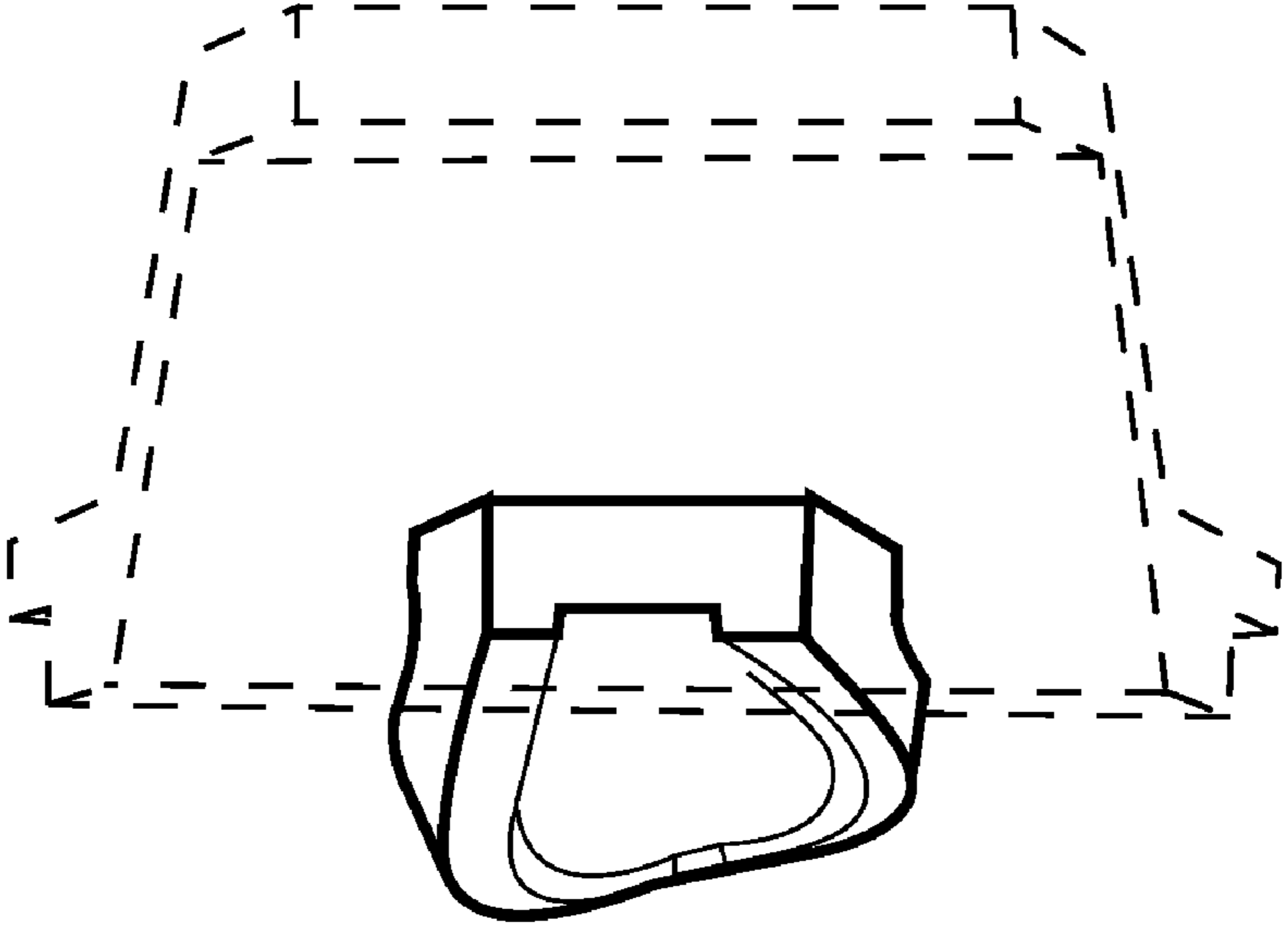


FIG. 8