



US00D630721S

(12) **United States Design Patent**
Kenyon et al.

(10) **Patent No.:** **US D630,721 S**
(45) **Date of Patent:** **** Jan. 11, 2011**

(54) **IMPELLER**

(75) Inventors: **Barton John Kenyon**, Ashfield (AU);
Nicholas Jerome Reed, Mount Colah
(AU); **Ian Malcolm Smith**, Westleigh
(AU)

(73) Assignee: **ResMed Motor Technologies Inc.**,
Chatsworth, CA (US)

(**) Term: **14 Years**

(21) Appl. No.: **29/309,429**

(22) Filed: **Aug. 15, 2008**

Related U.S. Application Data

(60) Division of application No. 29/274,507, filed on Apr.
27, 2007, now Pat. No. Des. 577,807, which is a con-
tinuation-in-part of application No. PCT/AU2006/
001617, filed on Oct. 27, 2006.

(51) **LOC (9) Cl.** **23-04**

(52) **U.S. Cl.** **D23/379; D24/110**

(58) **Field of Classification Search** D24/110,
D24/164; 128/200.24, 204.18, 203.12, 204.23,
128/204.21, 204.25, 204.17, 204.16; 417/423.7,
417/427.12, 423.14, 423.1, 360; 416/3, 10,
416/185, 188, 223 B; 415/10; D23/370,
D23/379, 411

See application file for complete search history.

(56) **References Cited**

U.S. PATENT DOCUMENTS

2,465,671 A 3/1949 Van Millingen et al.

(Continued)

FOREIGN PATENT DOCUMENTS

DE 10035404 2/2002

(Continued)

OTHER PUBLICATIONS

U.S. Appl. No. 29/274,505, filed Apr. 27, 2007.

(Continued)

Primary Examiner—Lisa P Lichtenstein

(74) *Attorney, Agent, or Firm*—Nixon & Vanderhye P.C.

(57) **CLAIM**

The ornamental design for an impeller, as shown.

DESCRIPTION

FIG. 1 is a front perspective view of an impeller according to
a first embodiment of our design;

FIG. 2 is a front view thereof;

FIG. 3 is a rear view thereof;

FIG. 4 is a top view thereof;

FIG. 5 is a bottom view thereof;

FIG. 6 is a right side view thereof;

FIG. 7 is a left side view thereof;

FIG. 8 is a front perspective view of an impeller according to
a second embodiment of our design;

FIG. 9 is a front view thereof;

FIG. 10 is a rear view thereof;

FIG. 11 is a top view thereof;

FIG. 12 is a bottom view thereof;

FIG. 13 is a right side view thereof;

FIG. 14 is a left side view thereof;

FIG. 15 is a front perspective view of an impeller according to
a third embodiment of our design;

FIG. 16 is a front view thereof;

FIG. 17 is a rear view thereof;

FIG. 18 is a top view thereof;

FIG. 19 is a bottom view thereof;

FIG. 20 is a right side view thereof;

FIG. 21 is a left side view thereof;

FIG. 22 is a front perspective view of an impeller according to
a fourth embodiment of our design;

FIG. 23 is a front view thereof;

FIG. 24 is a rear view thereof;

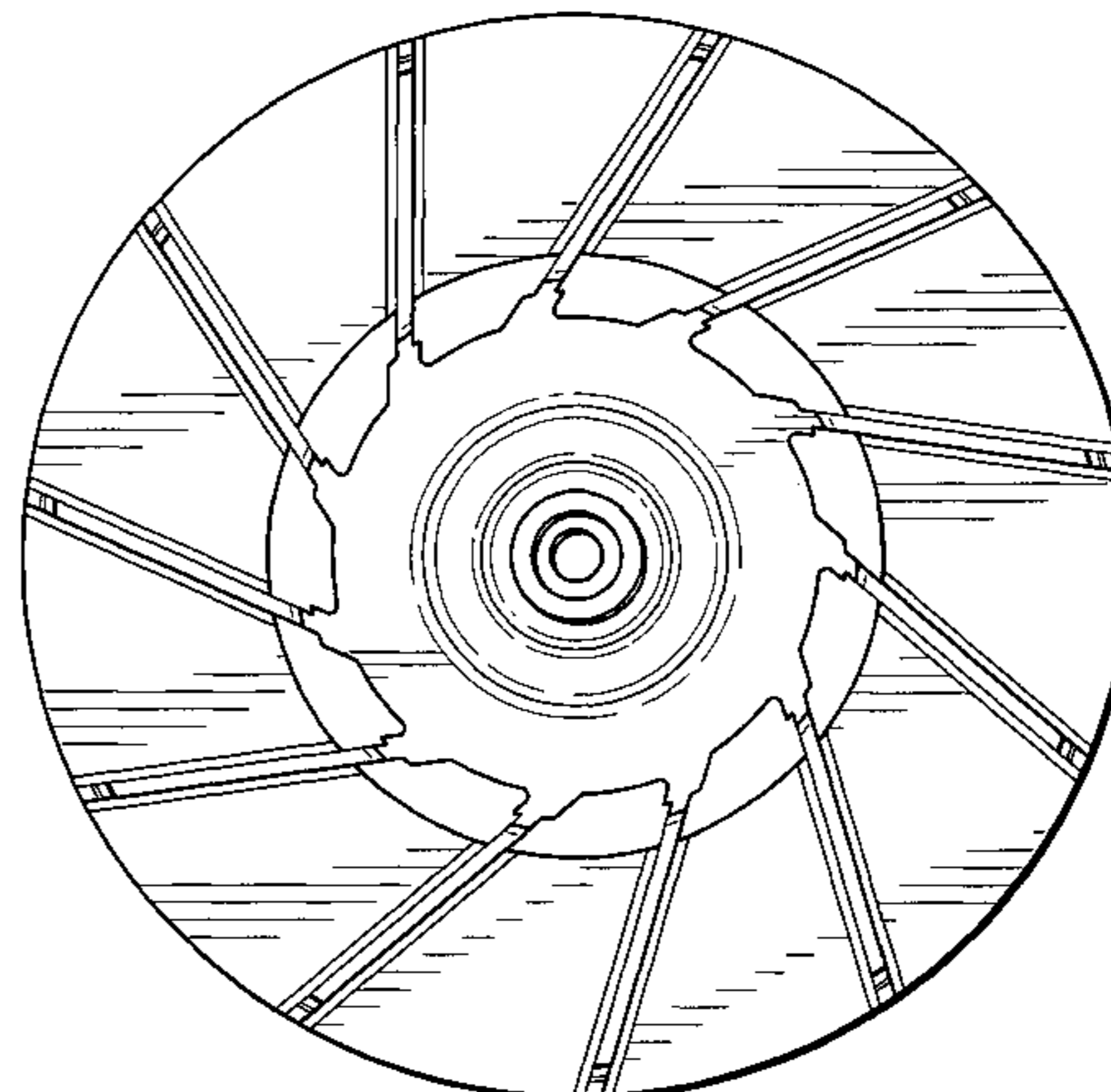
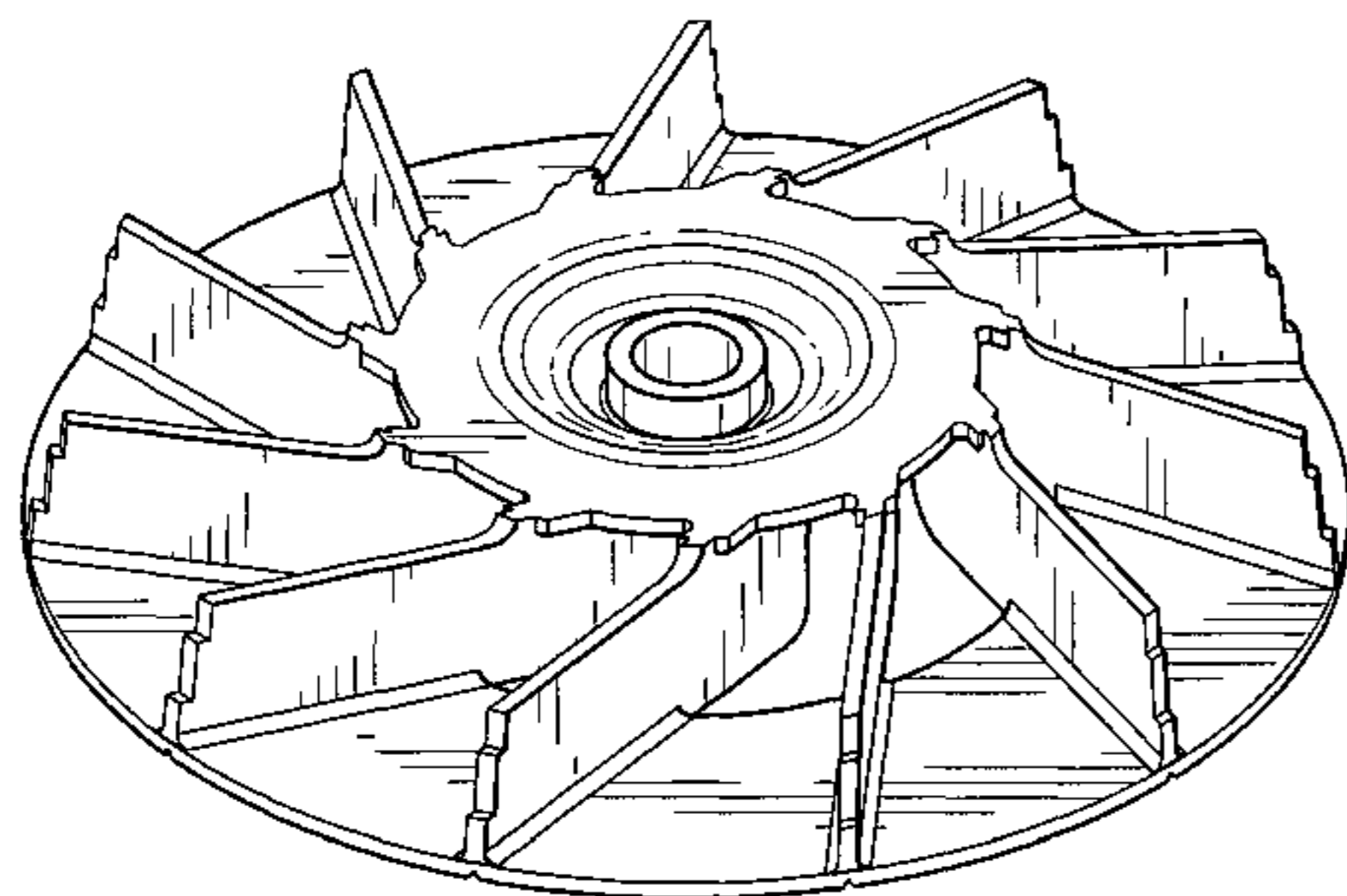
FIG. 25 is a top view thereof;

FIG. 26 is a bottom view thereof;

FIG. 27 is a right side view thereof; and,

FIG. 28 is a left side view thereof.

1 Claim, 12 Drawing Sheets



US D630,721 S

Page 2

U.S. PATENT DOCUMENTS

3,159,106 A 12/1964 Schumbacker et al.
4,767,285 A 8/1988 Jyoraku et al.
D314,844 S 2/1991 Baharad
D355,253 S 2/1995 Jansen et al.
5,875,783 A 3/1999 Kullik
5,893,705 A 4/1999 Khan et al.
D427,675 S 7/2000 Hansel
6,095,776 A 8/2000 Maki
6,210,116 B1 4/2001 Kuczaj et al.
6,220,819 B1 4/2001 Chien et al.
D443,281 S 6/2001 Sodergard
6,296,459 B1 10/2001 Saputo et al.
6,357,463 B1 3/2002 Wickham et al.
6,371,738 B2 4/2002 Jones
6,418,927 B1 7/2002 Kullik
D468,011 S 12/2002 Lithgow et al.
6,622,724 B1 9/2003 Truitt
D497,203 S 10/2004 Lithgow et al.
6,881,033 B2 4/2005 Makinson
7,012,346 B2 3/2006 Hoffman et al.
7,165,938 B2 1/2007 Lee et al.
7,210,226 B2 5/2007 Makinson et al.
D544,598 S 6/2007 Lithgow et al.
D560,795 S 1/2008 Lithgow et al.

D577,807 S * 9/2008 Kenyon et al. D23/379
2001/0014290 A1 8/2001 Takura et al.
2003/0168064 A1 9/2003 Daly et al.
2003/0190242 A1 10/2003 Anderson
2004/0071552 A1 4/2004 Truitt et al.
2004/0136848 A1 7/2004 Marioni
2005/0036887 A1 2/2005 Nadjafizadeh
2005/0247314 A1 11/2005 Virr et al.
2006/0138878 A1 6/2006 Hoffman et al.
2007/0125386 A1 6/2007 Quinn
2007/0134085 A1 6/2007 Daly et al.

FOREIGN PATENT DOCUMENTS

EP 0295455 12/1988
WO WO 2004/108198 12/2004
WO WO 2004/112873 12/2004
WO WO 2007/048205 5/2007

OTHER PUBLICATIONS

U.S. Appl. No. 29/274,506, filed Apr. 27, 2007.
U.S. Appl. No. 29/274,504, filed Apr. 27, 2007.
International Search Report, Appln. No. PCT/AU2006/001617, Jan.
5, 2007.
U.S. Appl. No. 29/106,701.

* cited by examiner

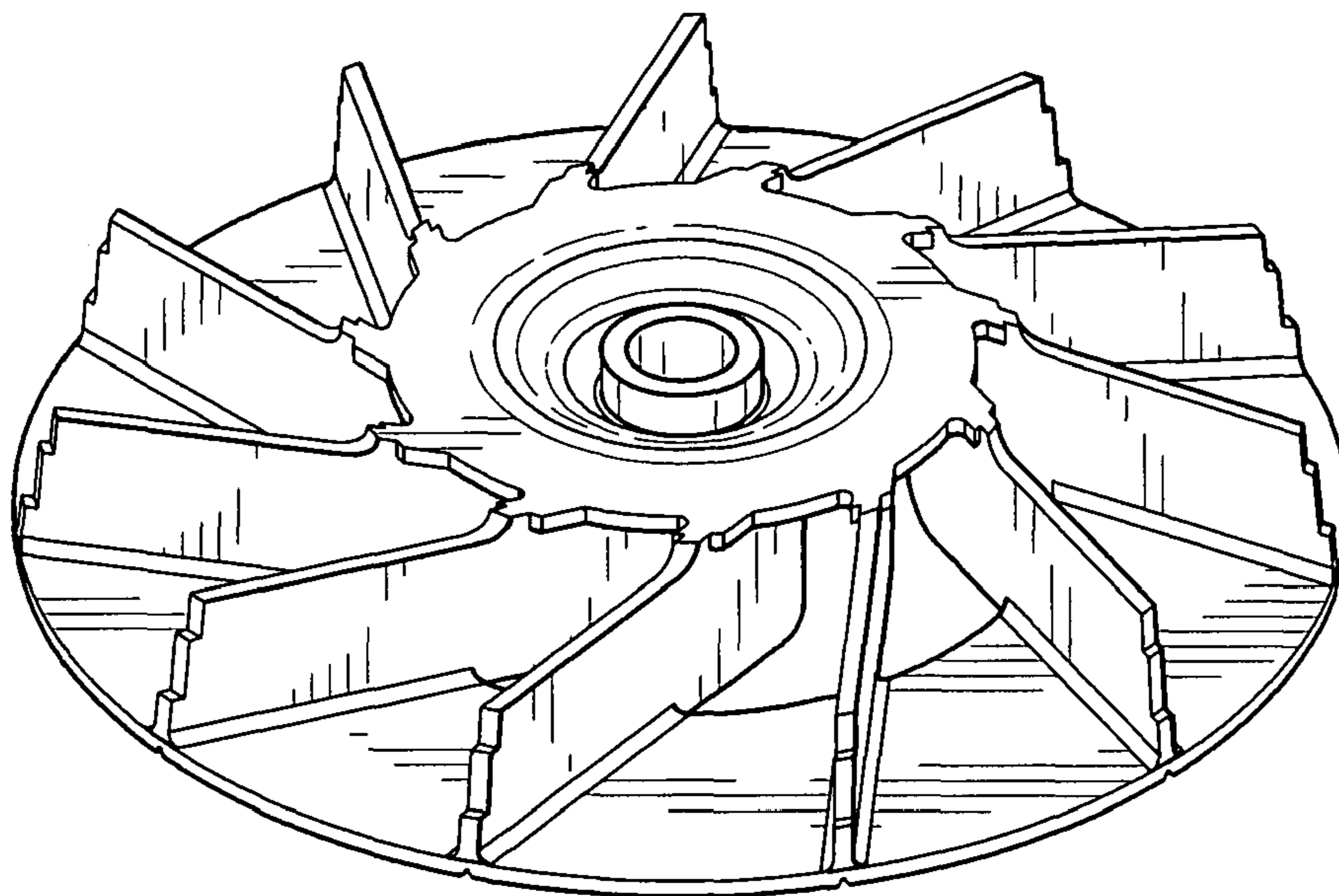


FIG. 1

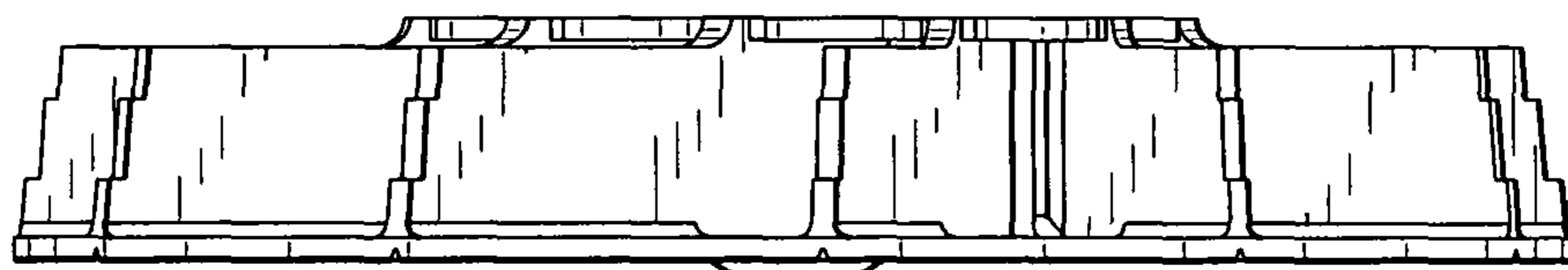


FIG. 2

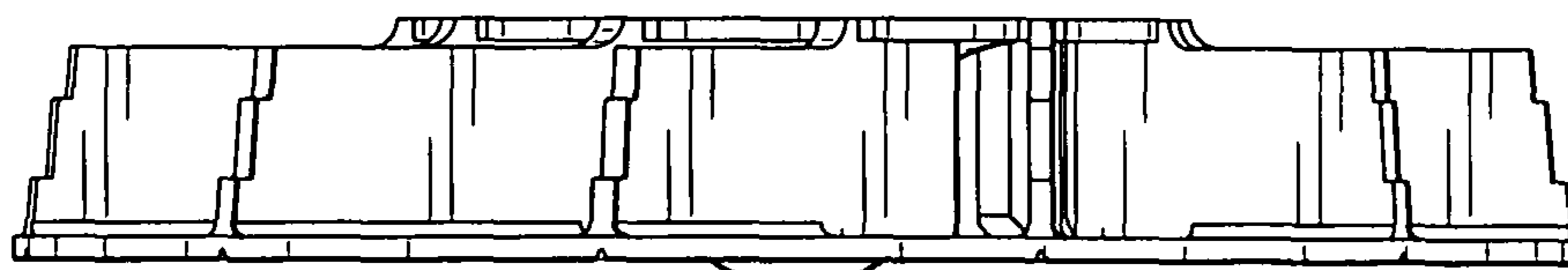


FIG. 3

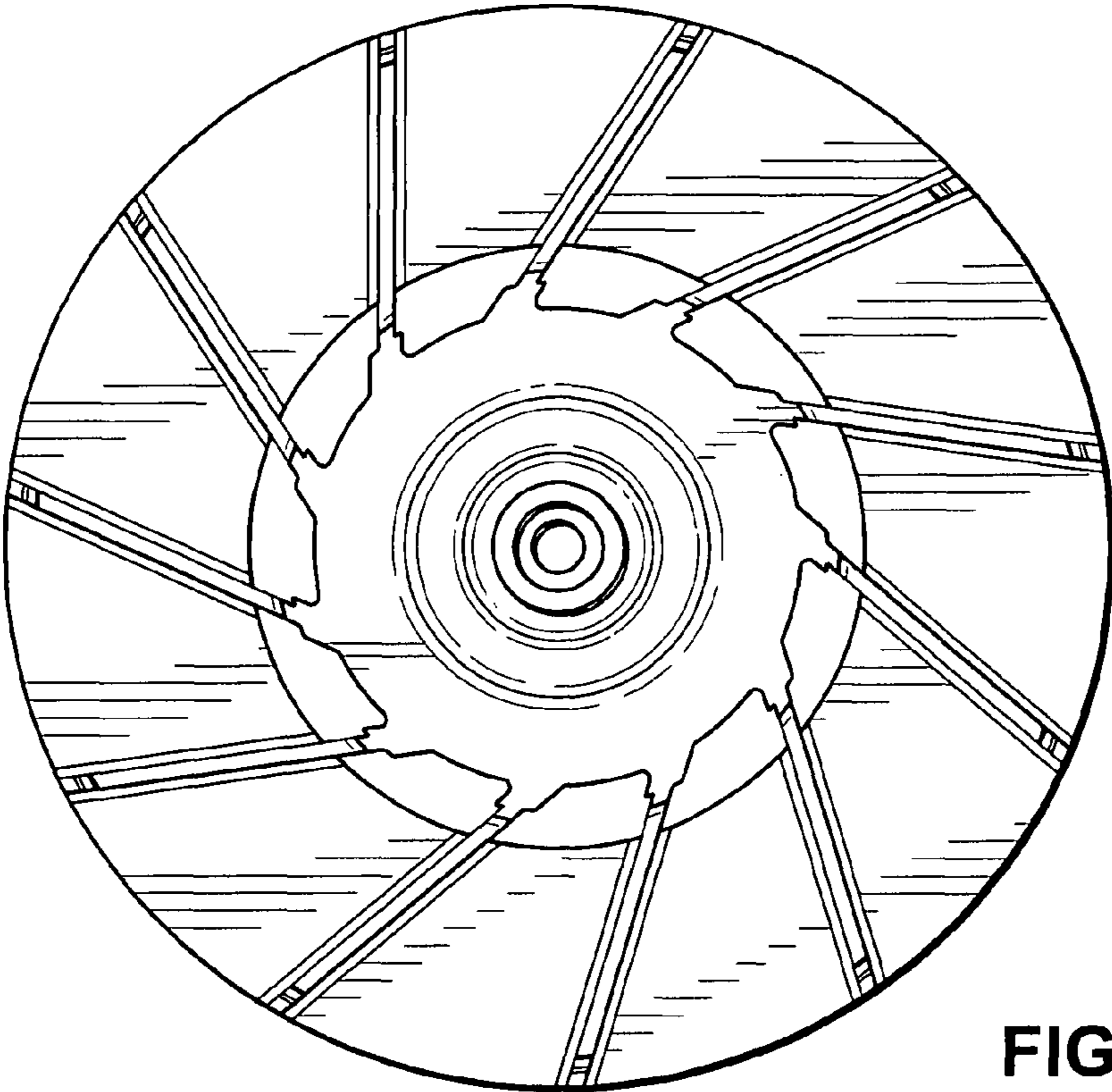


FIG. 4

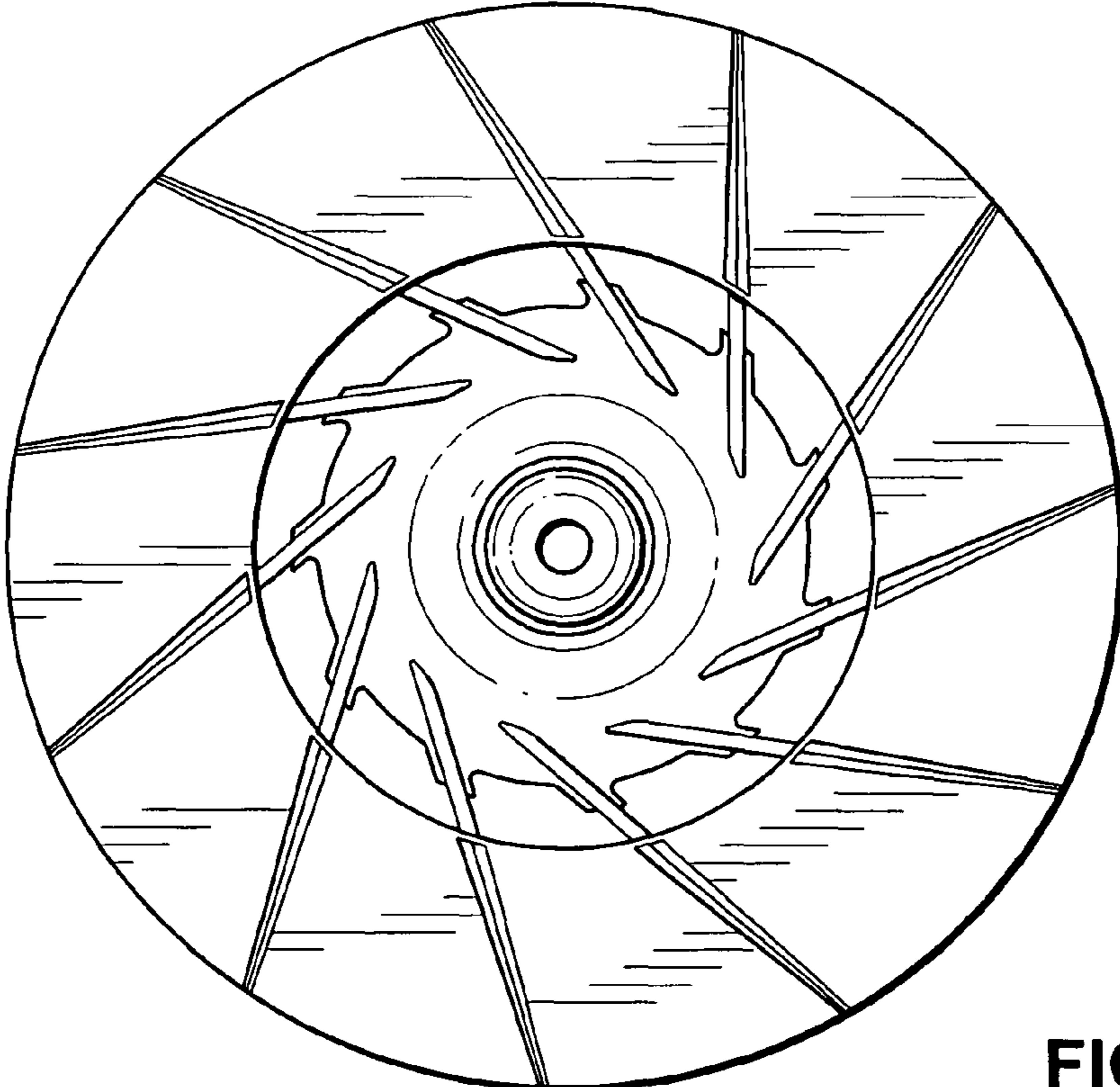


FIG. 5

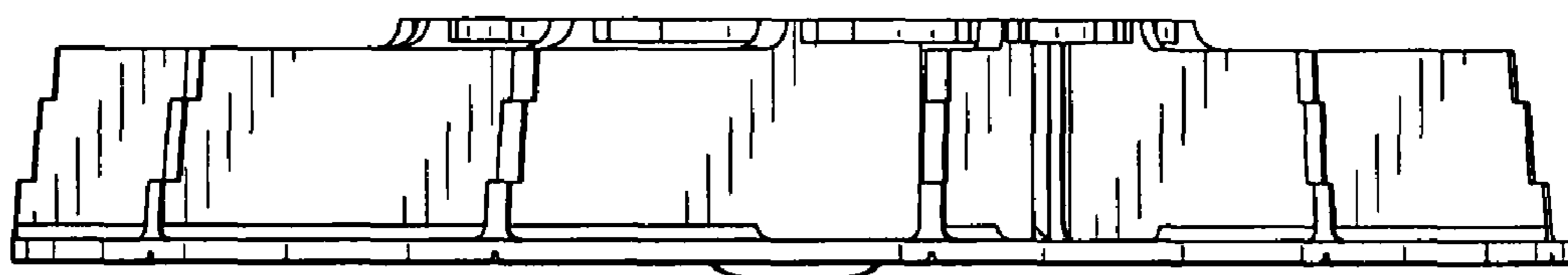


FIG. 6

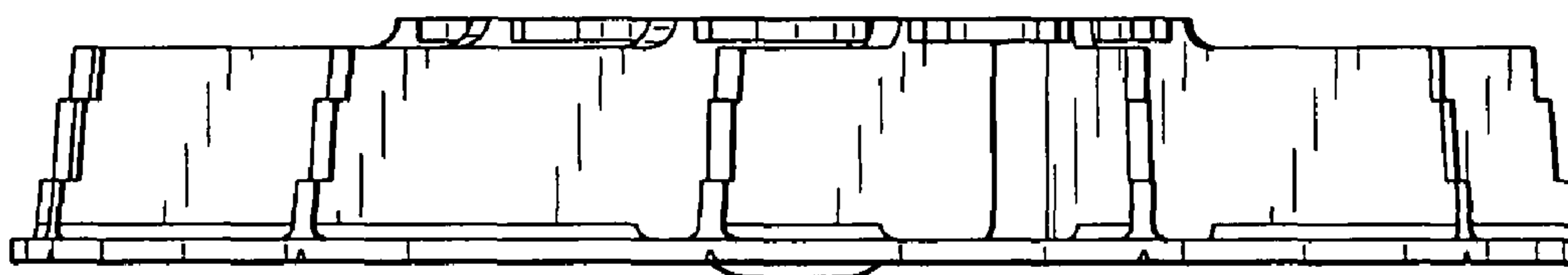


FIG. 7

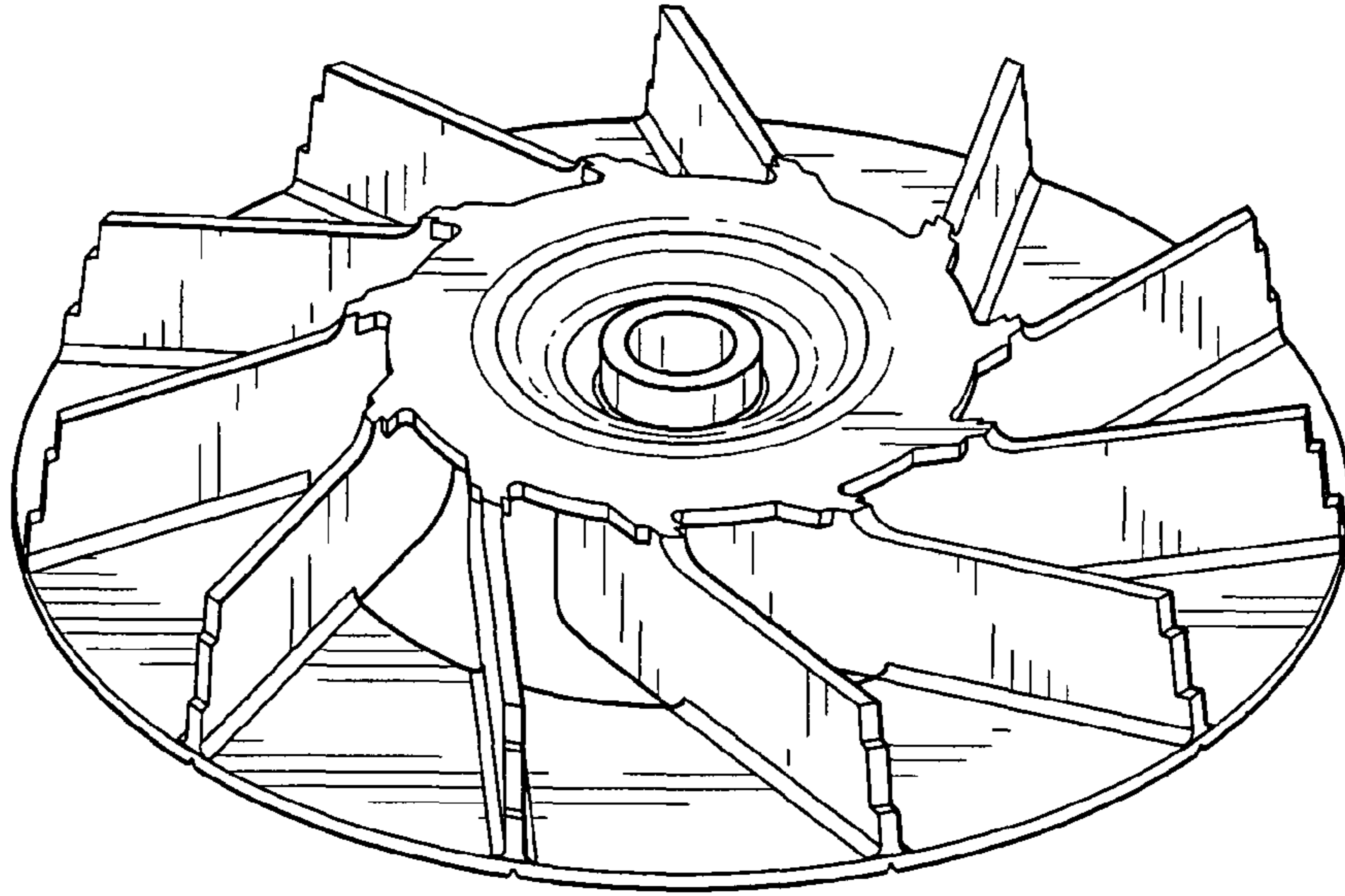


FIG. 8

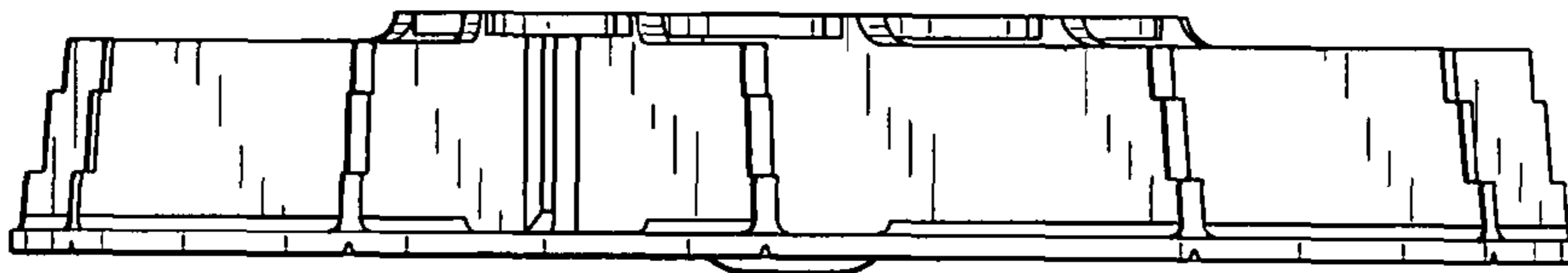


FIG. 9

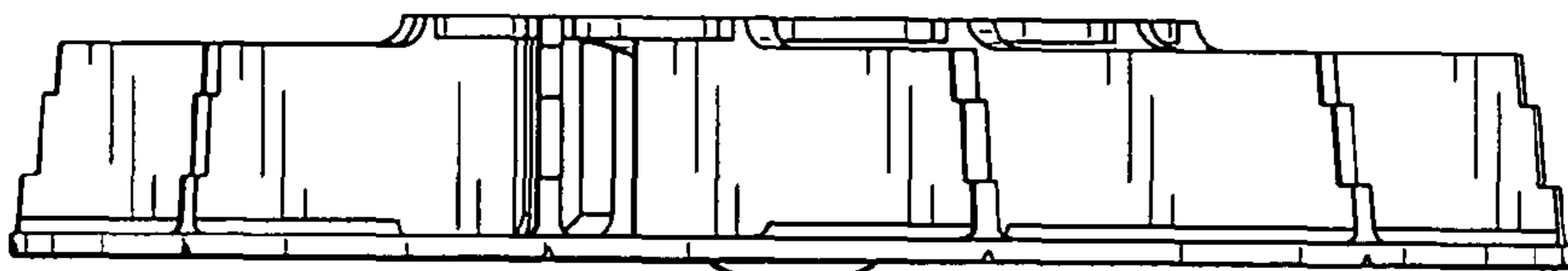


FIG. 10

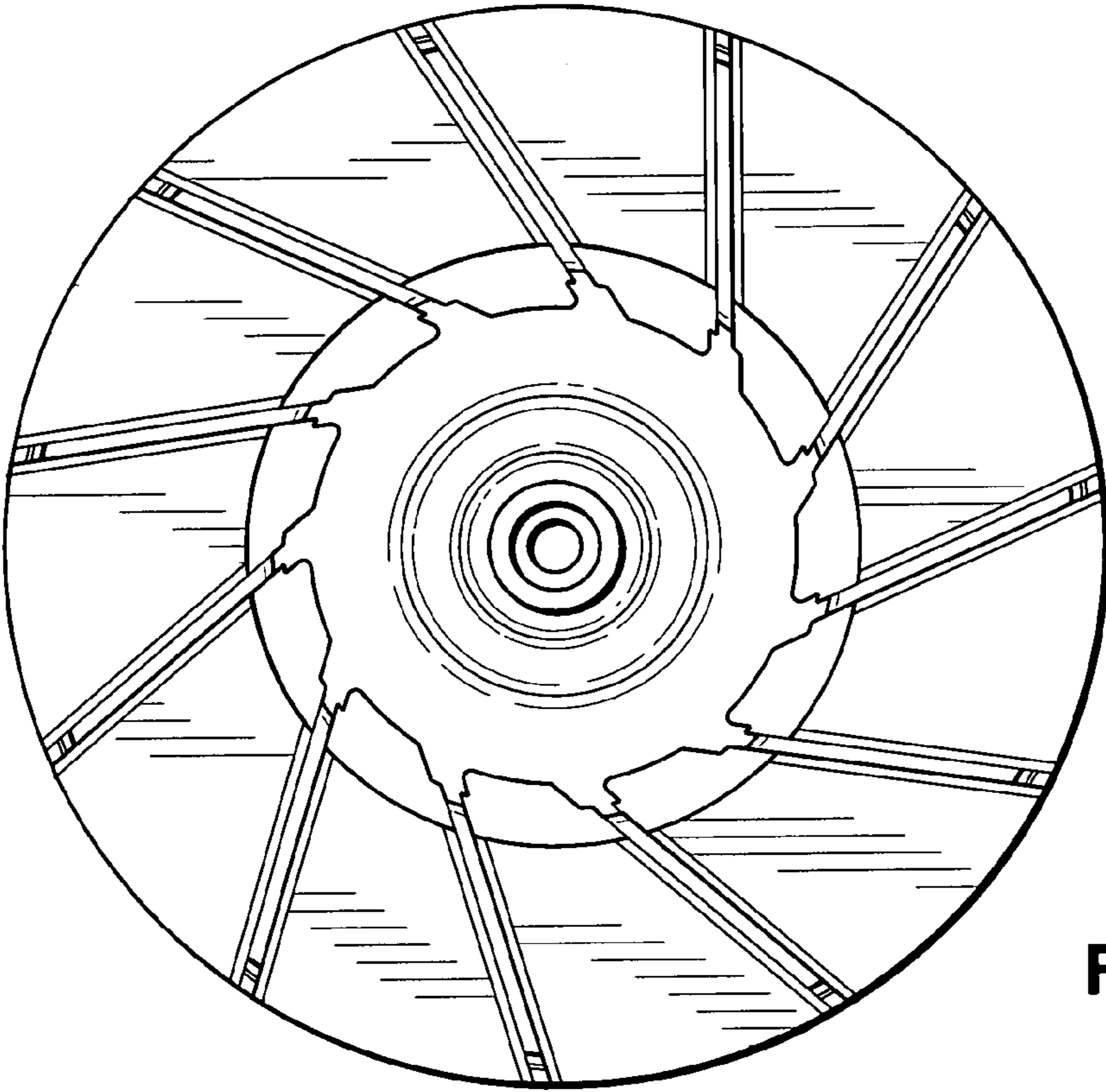


FIG. 11

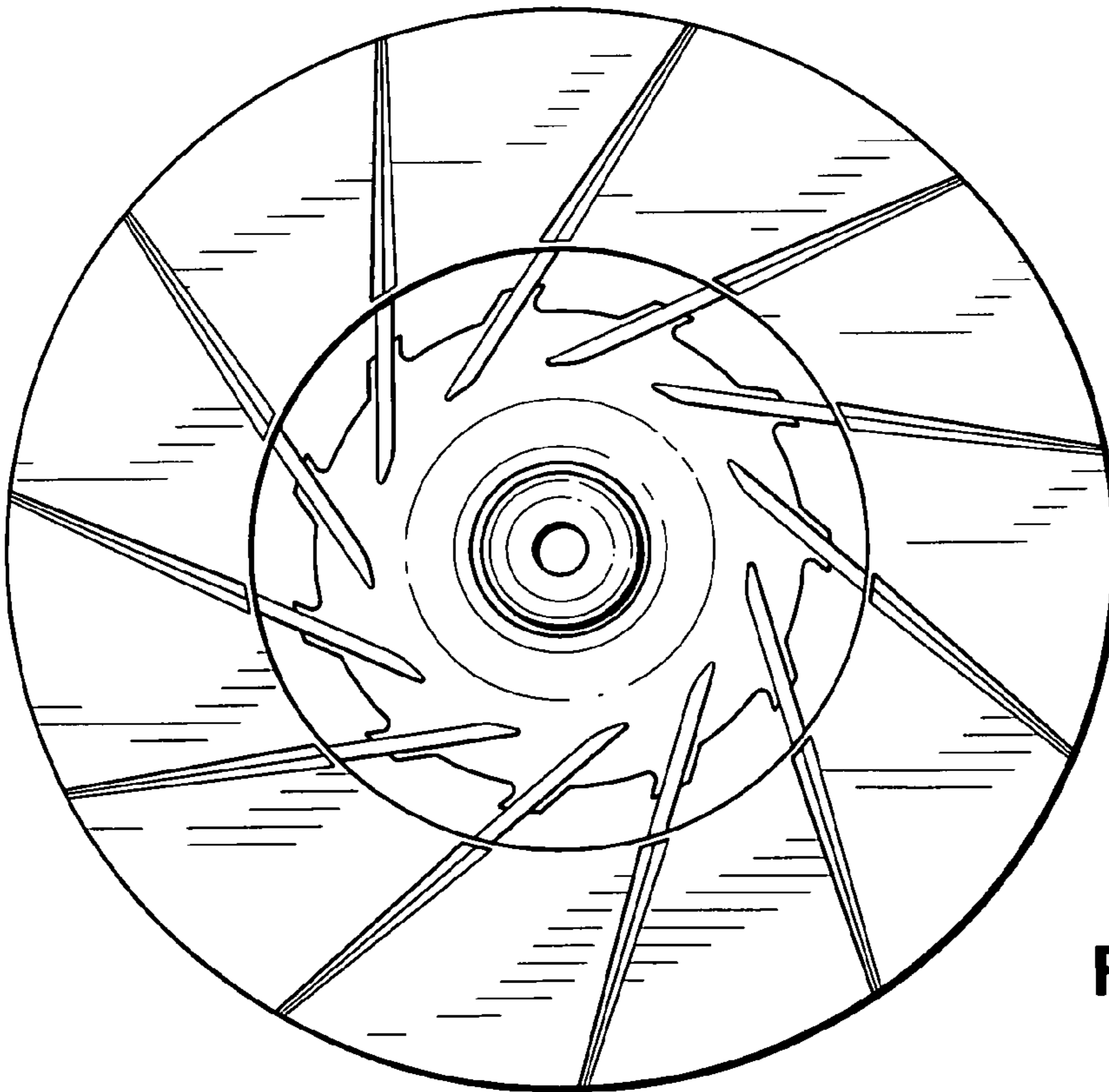


FIG. 12

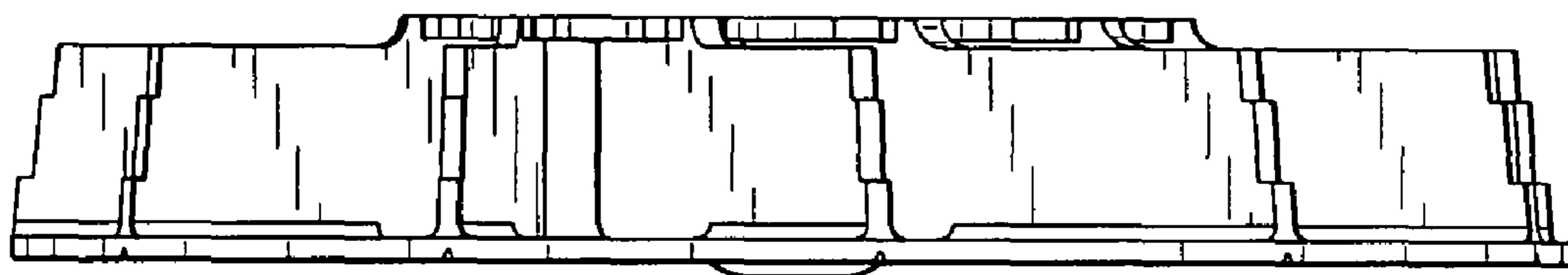


FIG. 13

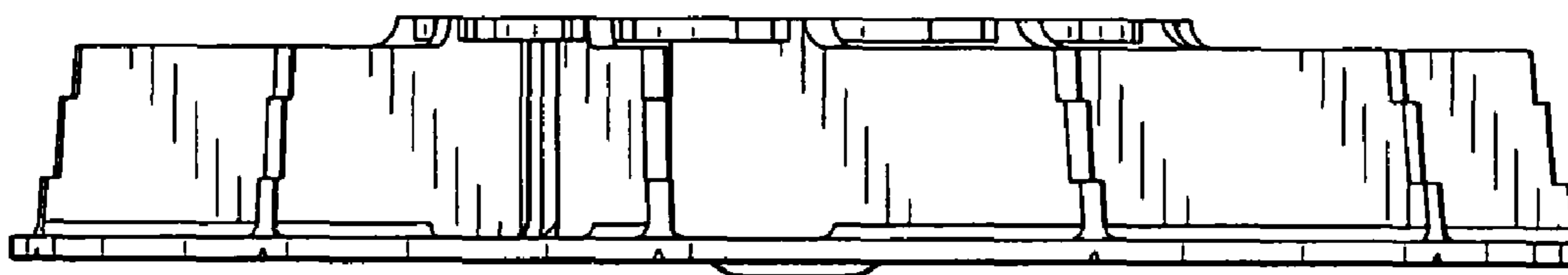


FIG. 14

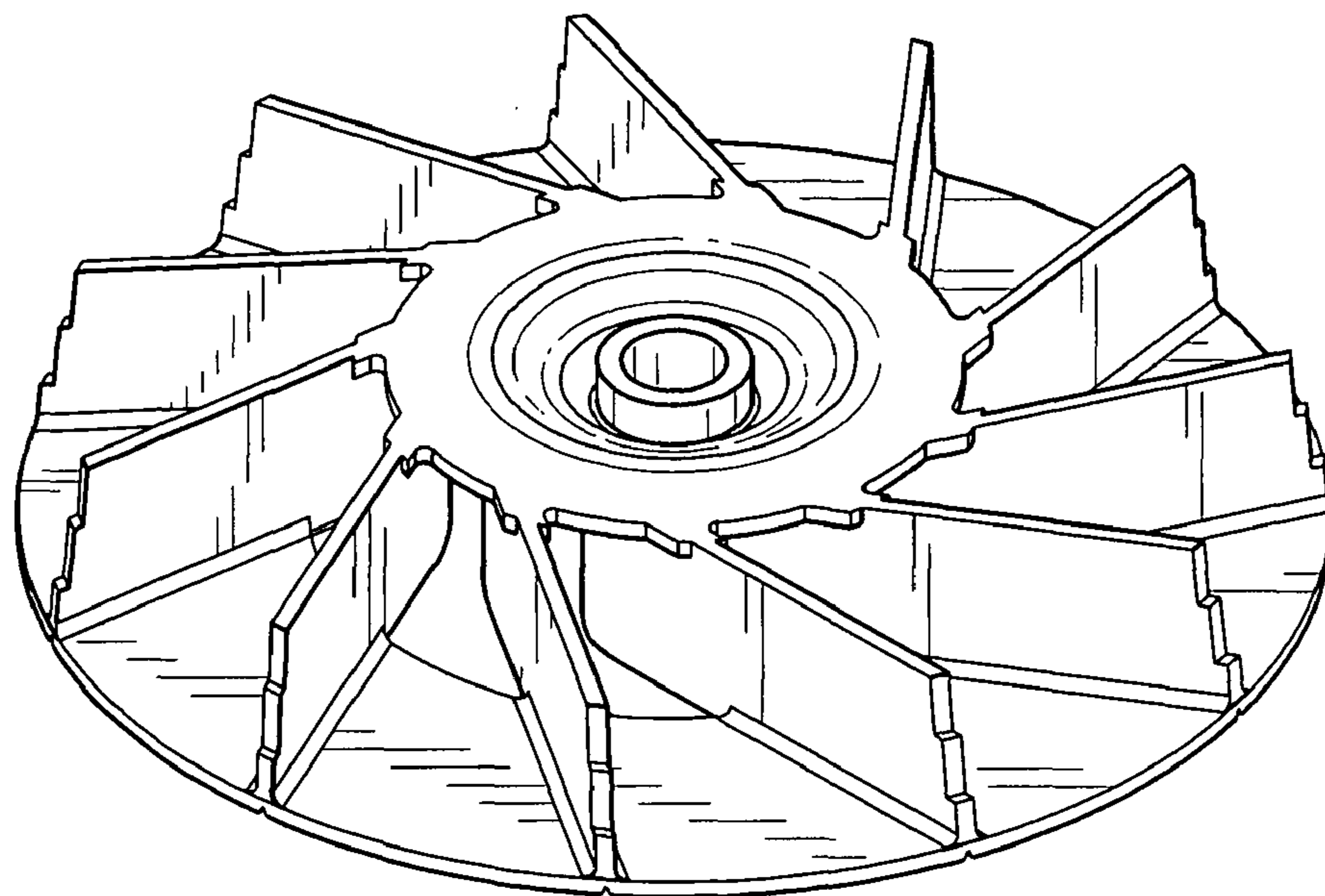


FIG. 15



FIG. 16

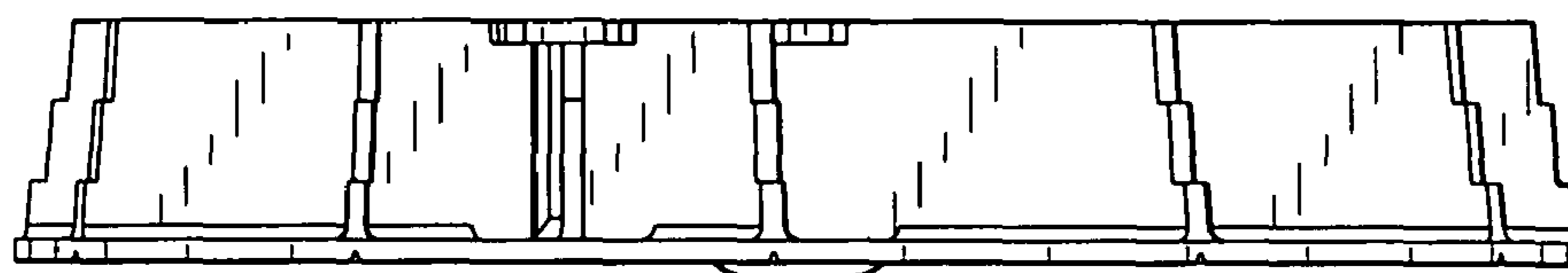


FIG. 17

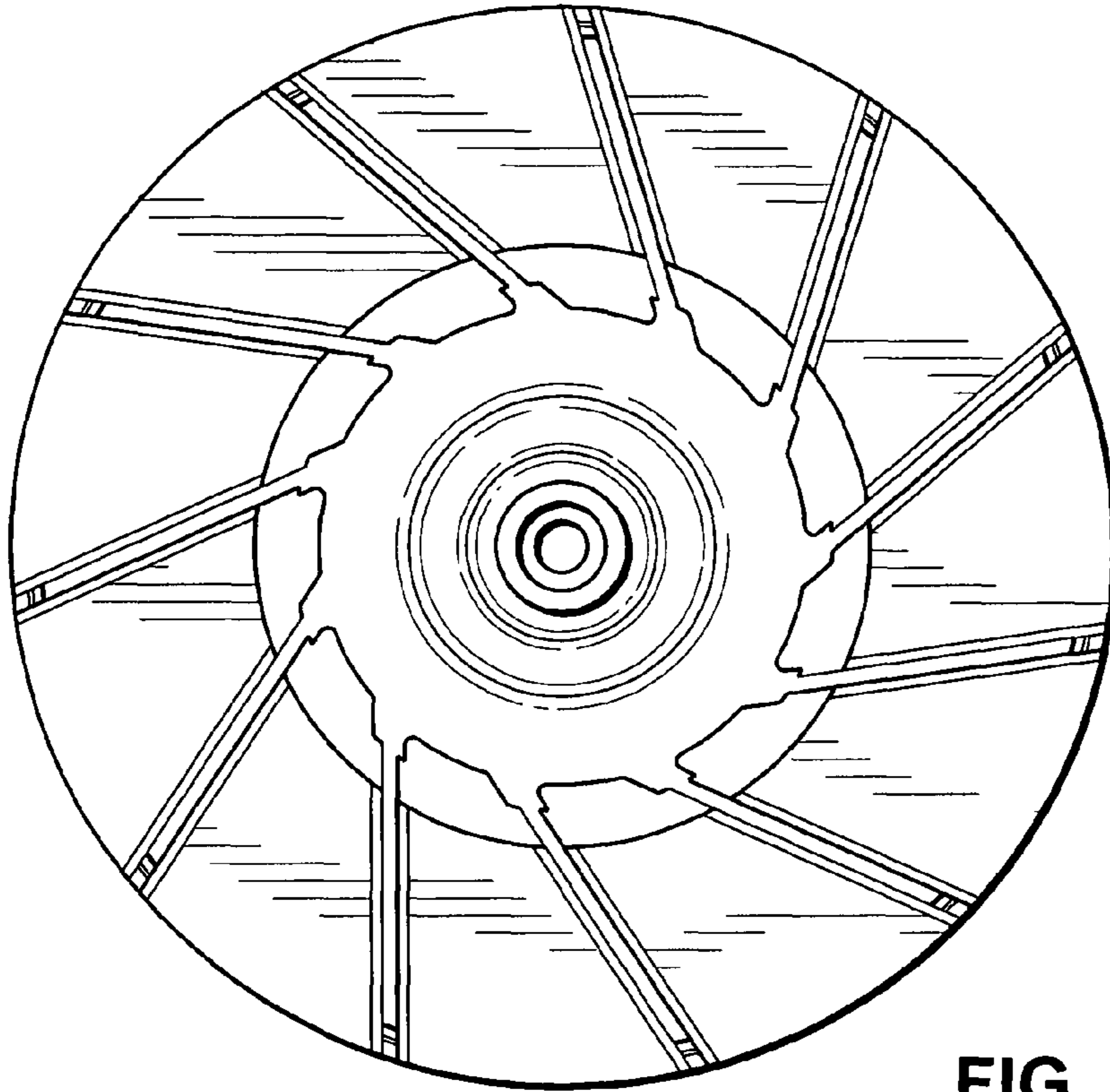


FIG. 18

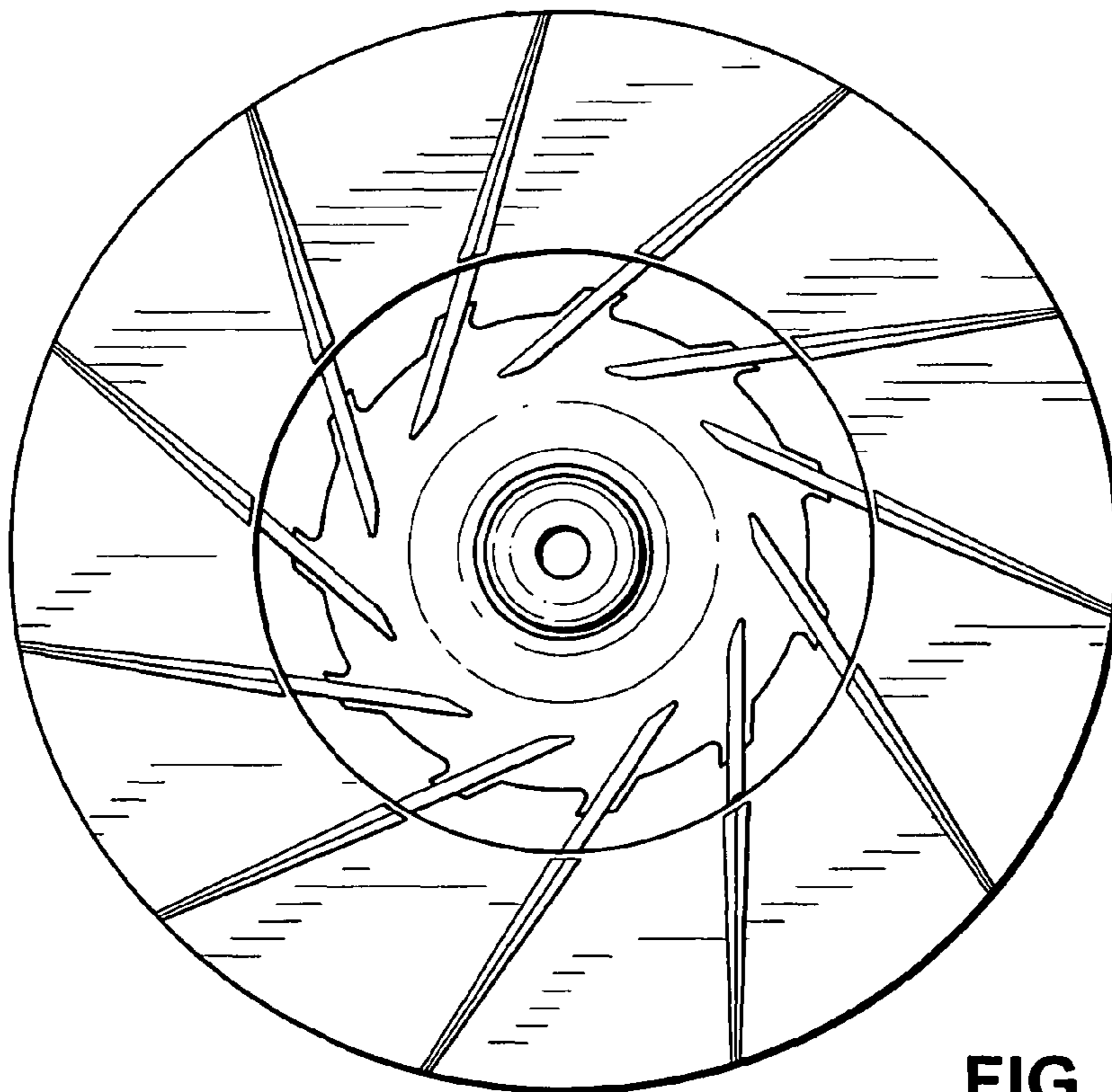


FIG. 19

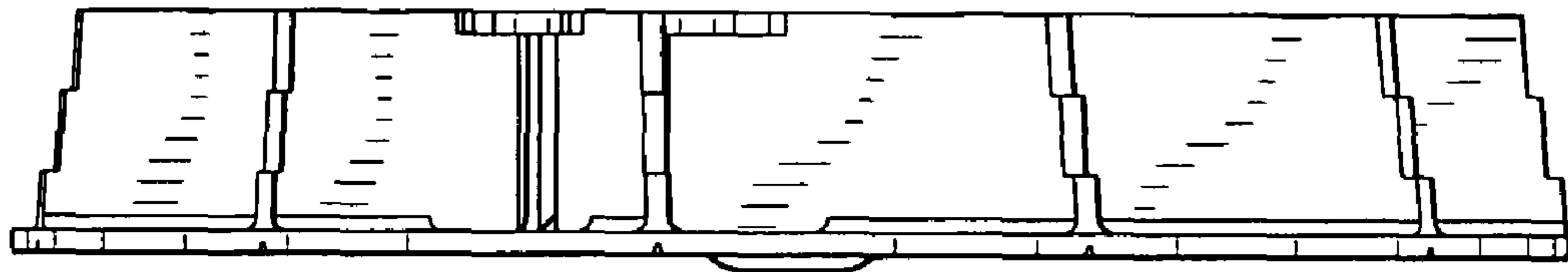


FIG. 20

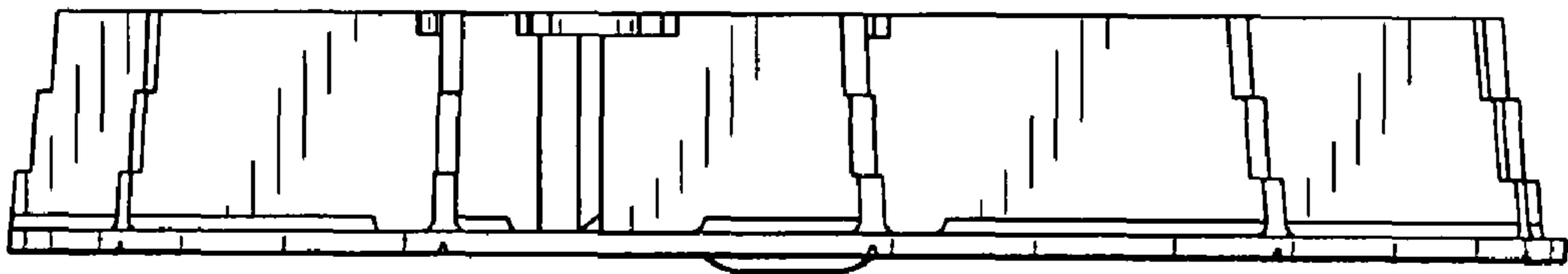


FIG. 21

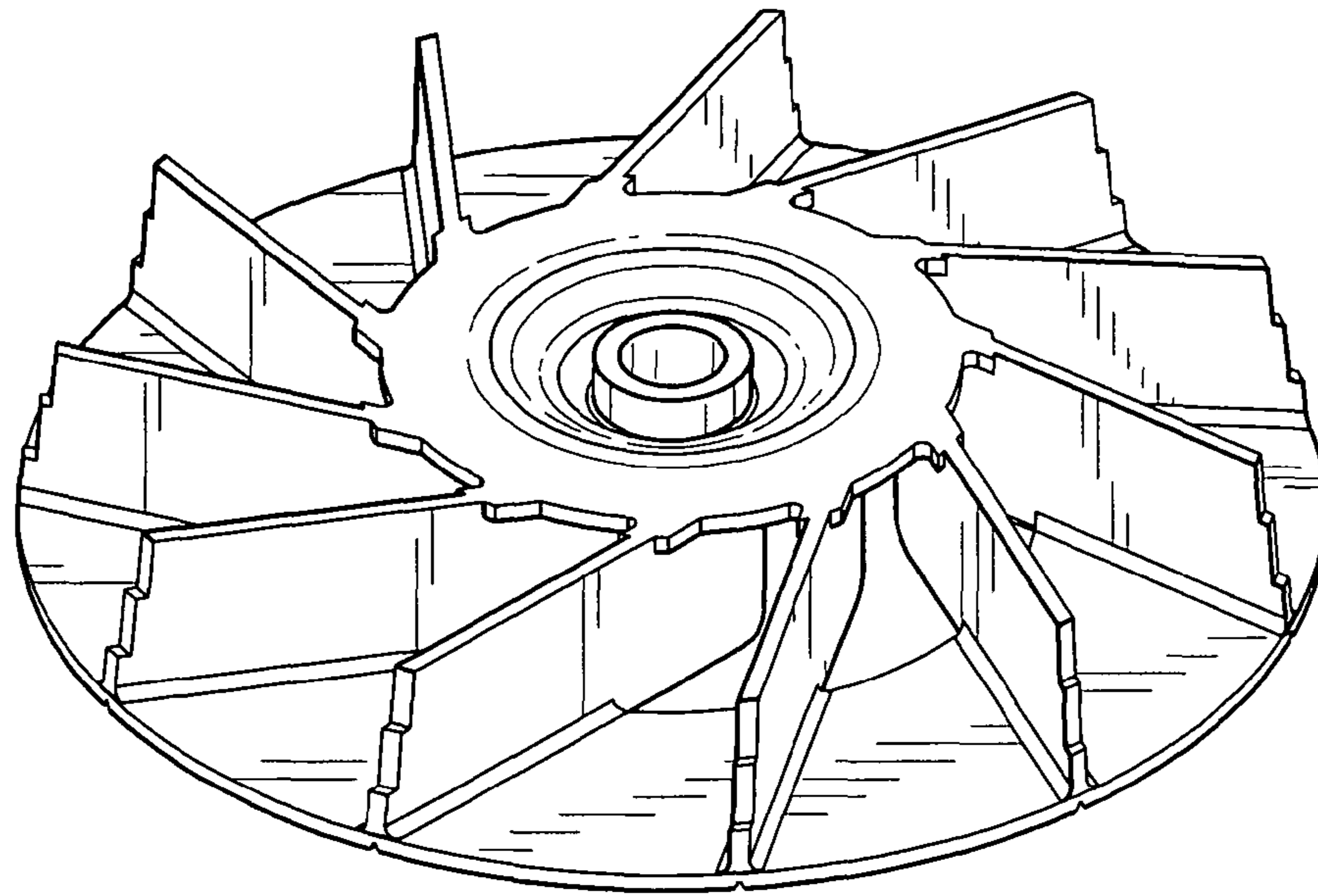


FIG. 22

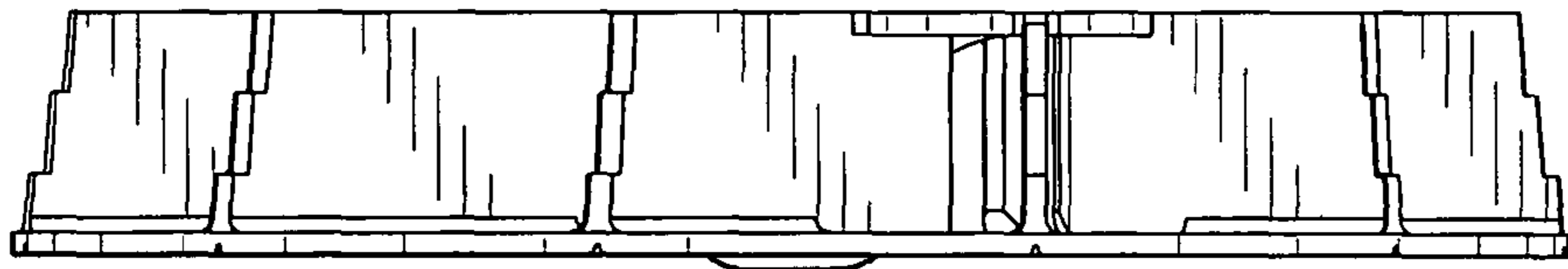


FIG. 23

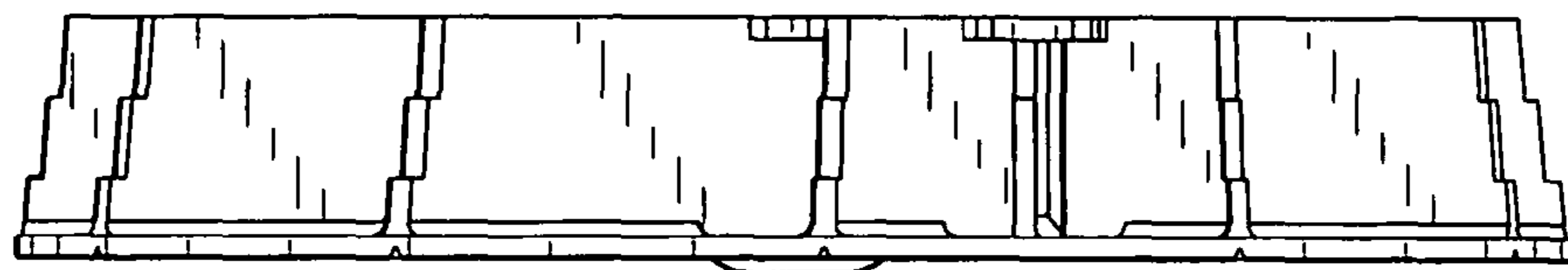


FIG. 24

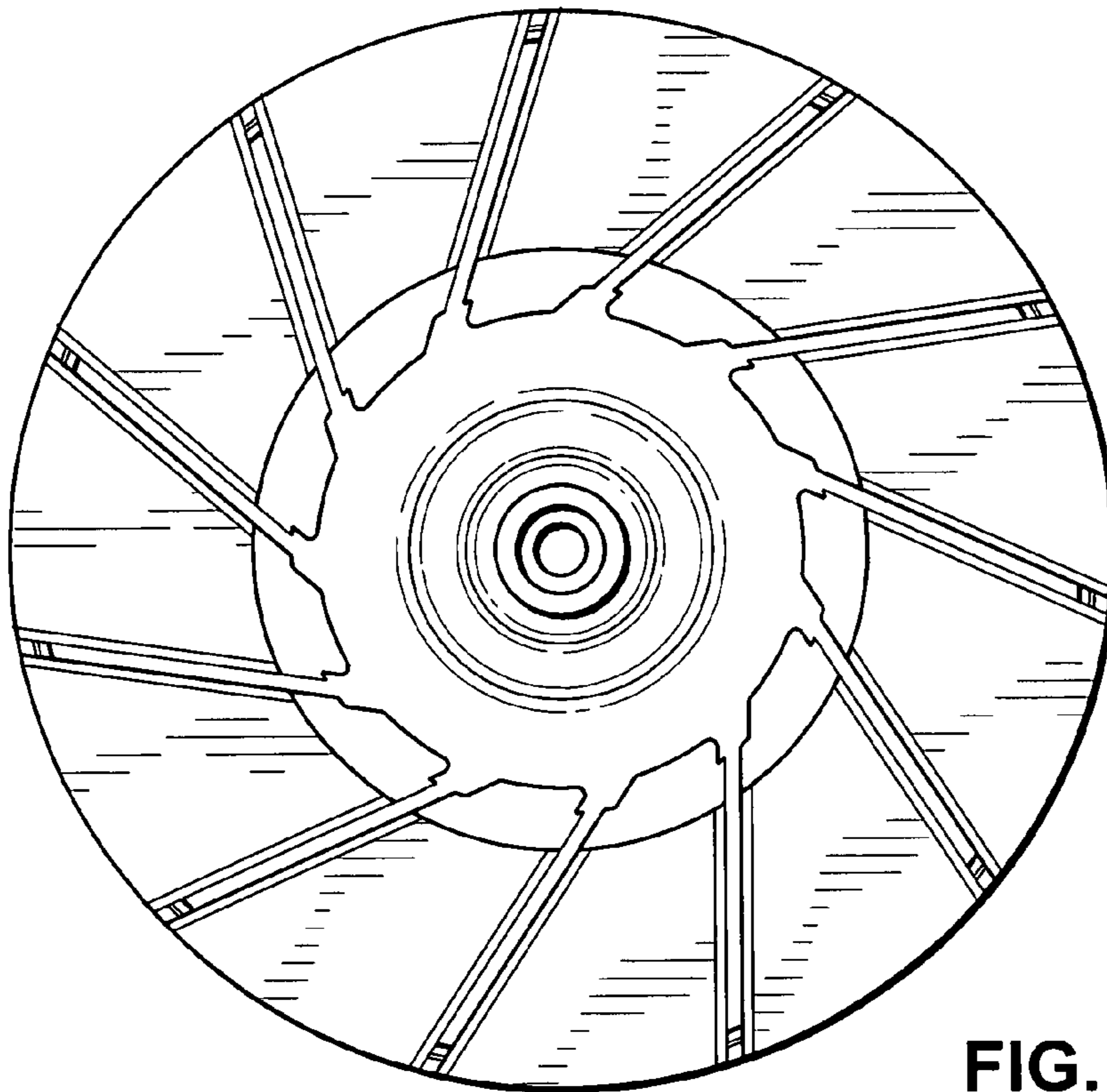


FIG. 25

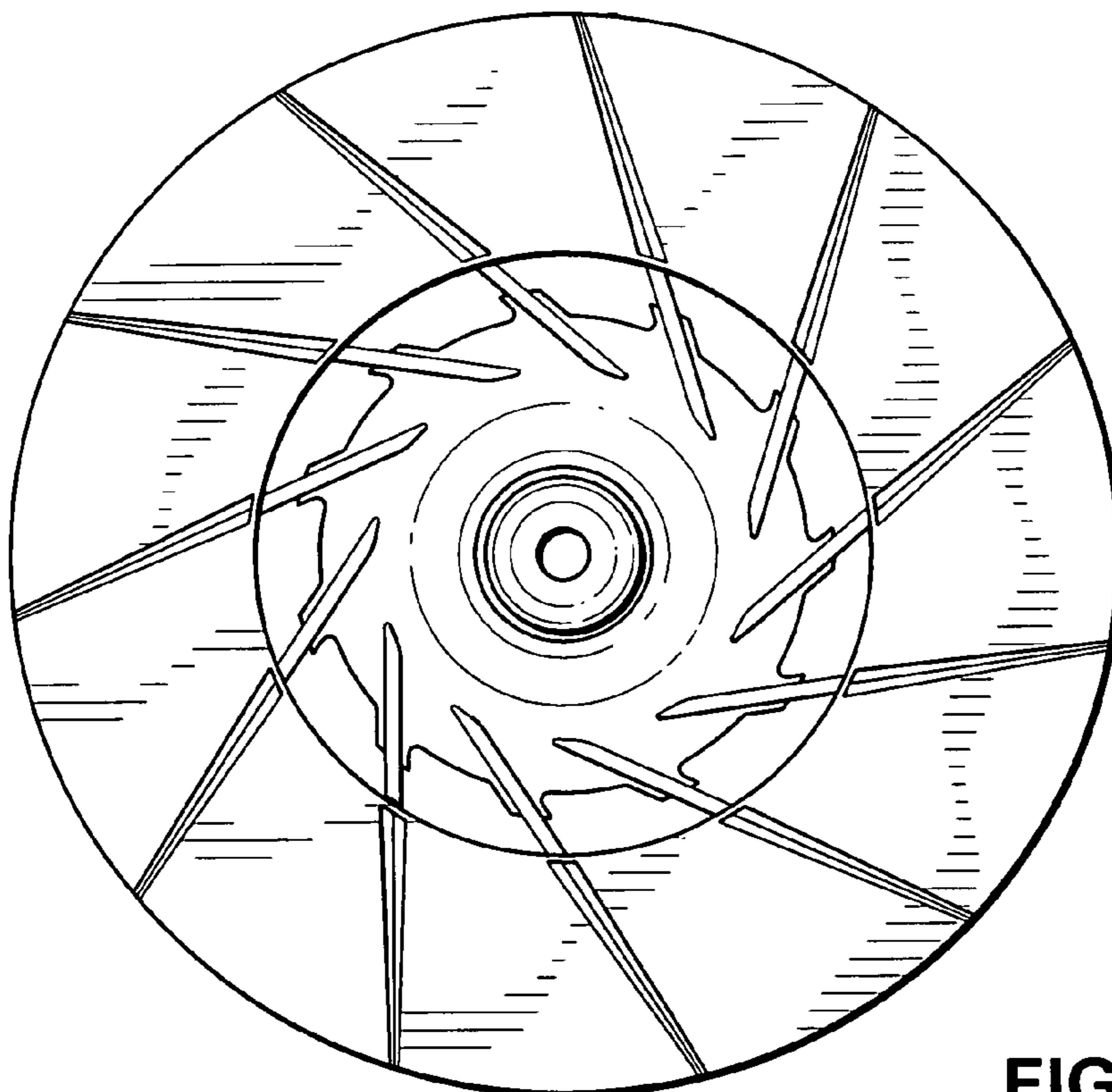


FIG. 26

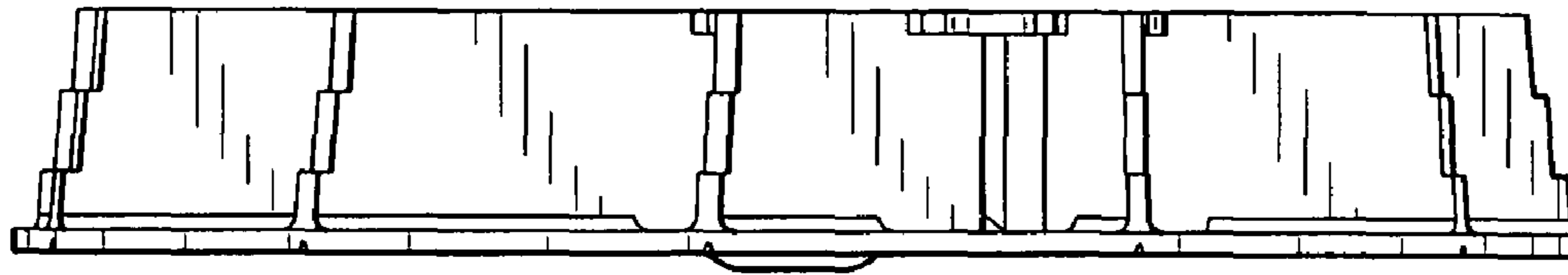


FIG. 27

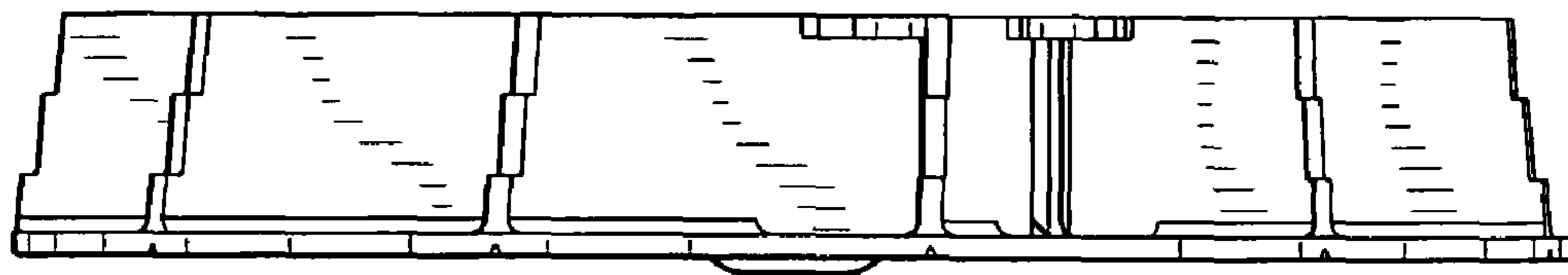


FIG. 28