



US00D630716S

(12) **United States Design Patent**  
**Thomas**

(10) **Patent No.:** **US D630,716 S**  
(45) **Date of Patent:** **\*\* Jan. 11, 2011**

(54) **SINK**  
(75) **Inventor:** **Carter J. Thomas**, Branchburg, NJ (US)  
(73) **Assignee:** **AS IP Holdco, L.L.C.**, Piscataway, NJ (US)  
(\*\*) **Term:** **14 Years**

*Primary Examiner*—Robert A Delehanty  
(74) *Attorney, Agent, or Firm*—Flaster/Greenberg, P.C.

(21) **Appl. No.:** **29/358,661**

(57) **CLAIM**

The ornamental design for a sink, as shown and described.

(22) **Filed:** **Mar. 30, 2010**

**DESCRIPTION**

(51) **LOC (9) Cl.** ..... **23-02**  
(52) **U.S. Cl.** ..... **D23/293.1**  
(58) **Field of Classification Search** ..... D23/284,  
D23/292, 308, 293.1; 4/619, 646  
See application file for complete search history.

FIG. 1 is a perspective view of a sink;  
FIG. 2 is a top plan view of the sink of FIG. 1;  
FIG. 3 is a bottom view of the sink of FIG. 1;  
FIG. 4 is a front view of the sink of FIG. 1;  
FIG. 5 is a rear view of the sink of FIG. 1;  
FIG. 6 is a right side view of the sink of FIG. 1; and,  
FIG. 7 is a left side view of the sink of FIG. 1.  
The broken lines showing of rear and bottom portions are included for the purpose of illustrating a portion of the sink that forms no part of the claimed design.

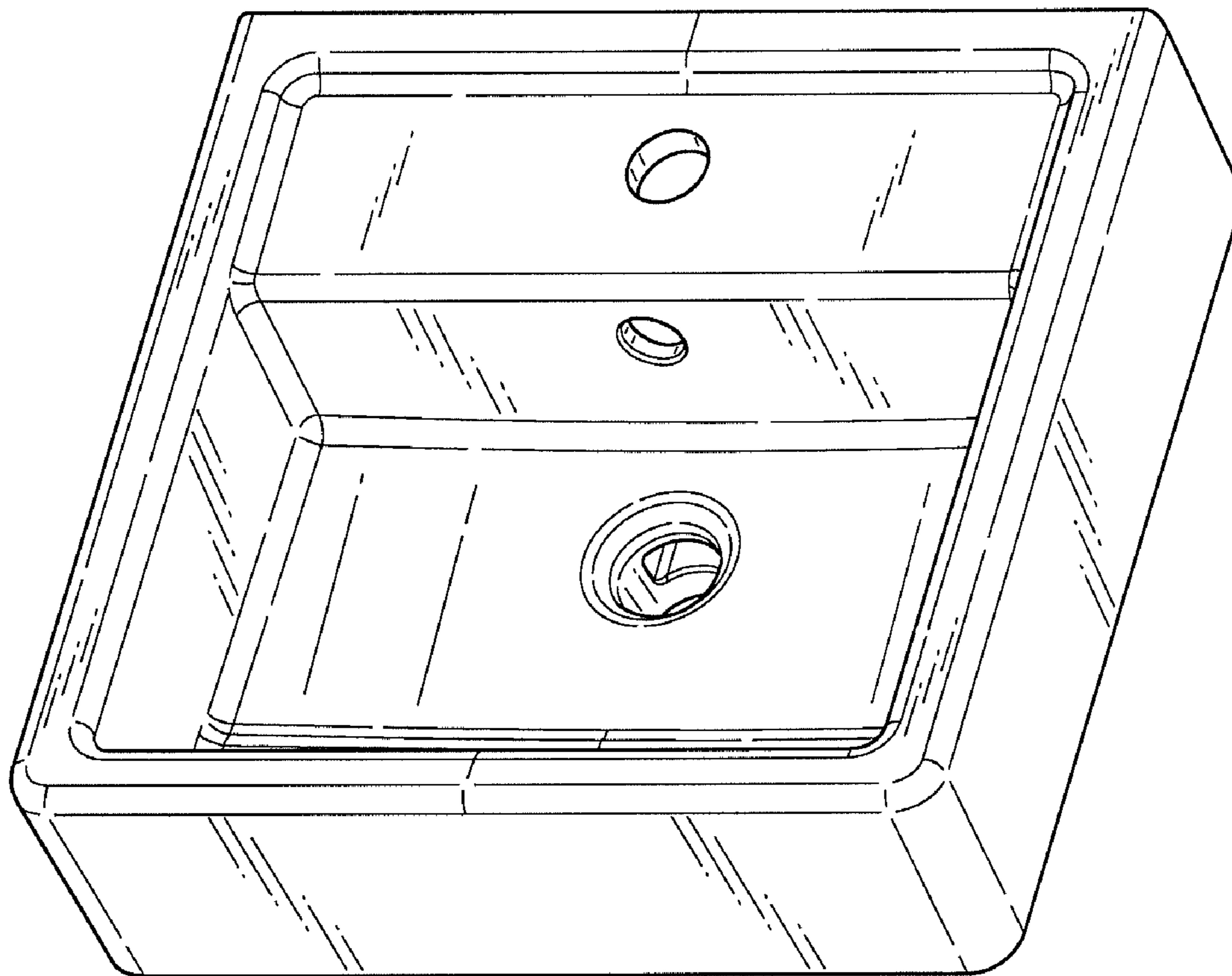
(56) **References Cited**

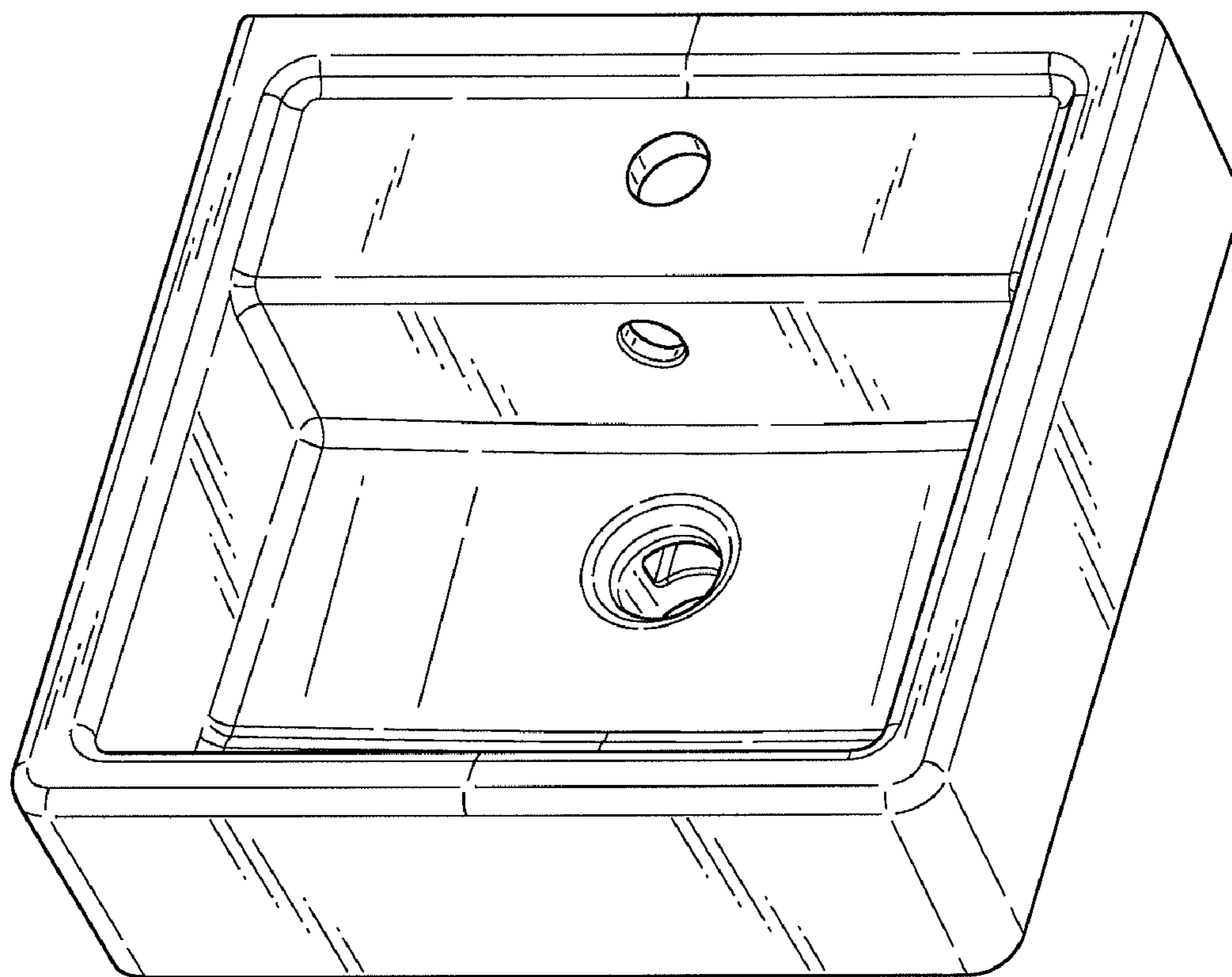
**U.S. PATENT DOCUMENTS**

D463,538 S \* 9/2002 Chipperfield ..... D23/284  
D598,082 S \* 8/2009 Booth ..... D23/284  
D607,979 S \* 1/2010 Jiang et al. .... D23/293.1

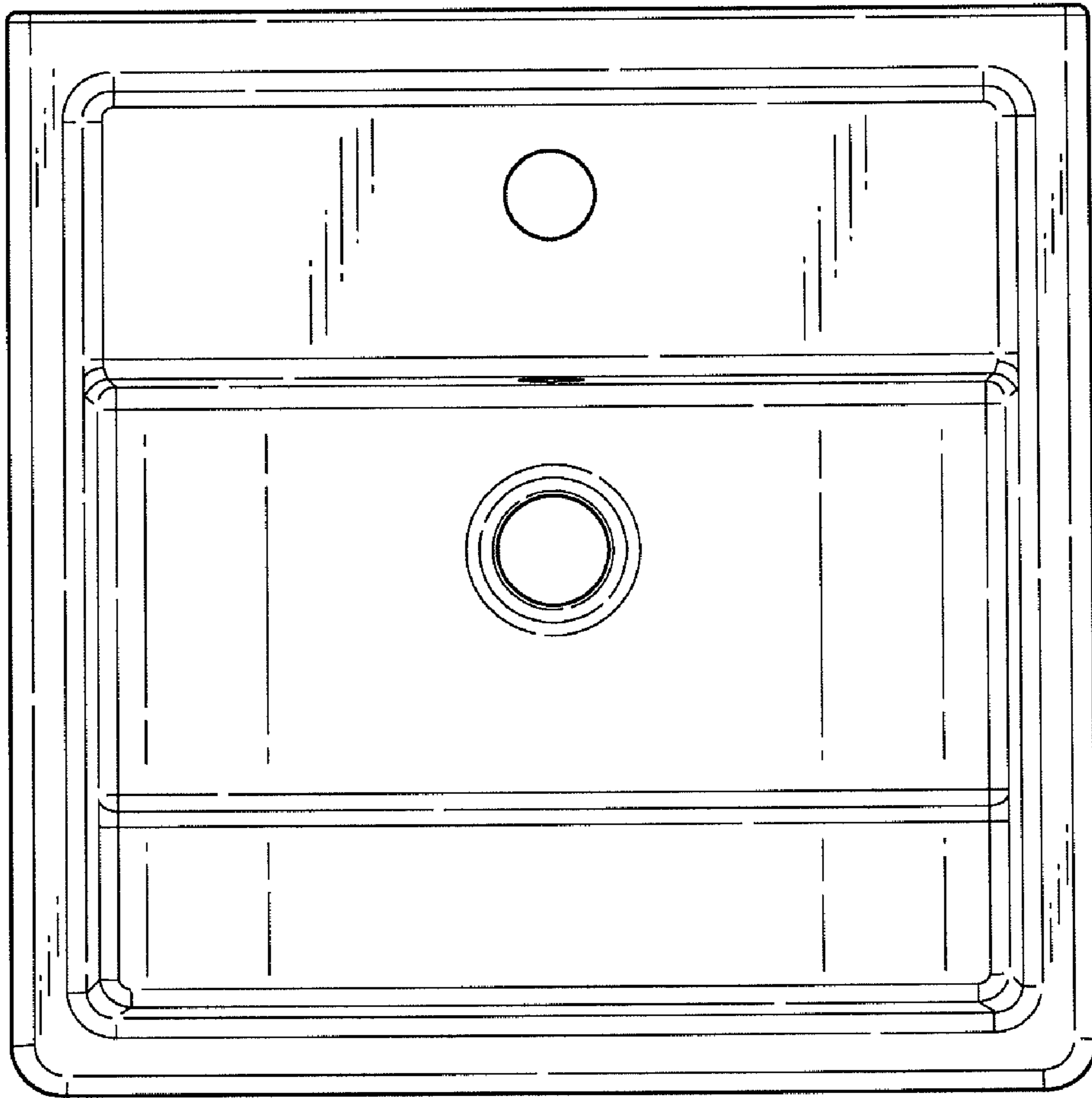
\* cited by examiner

**1 Claim, 4 Drawing Sheets**

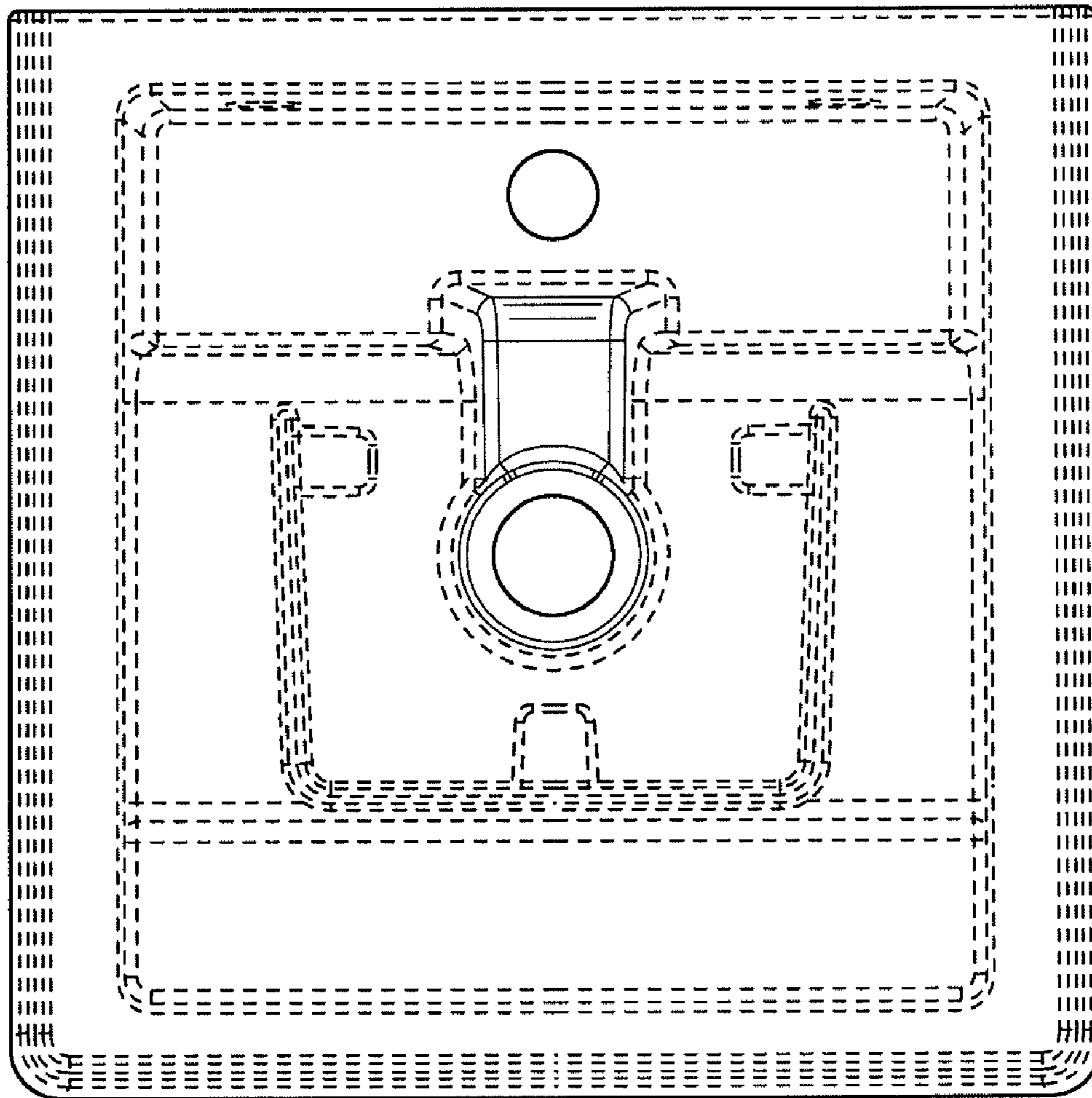




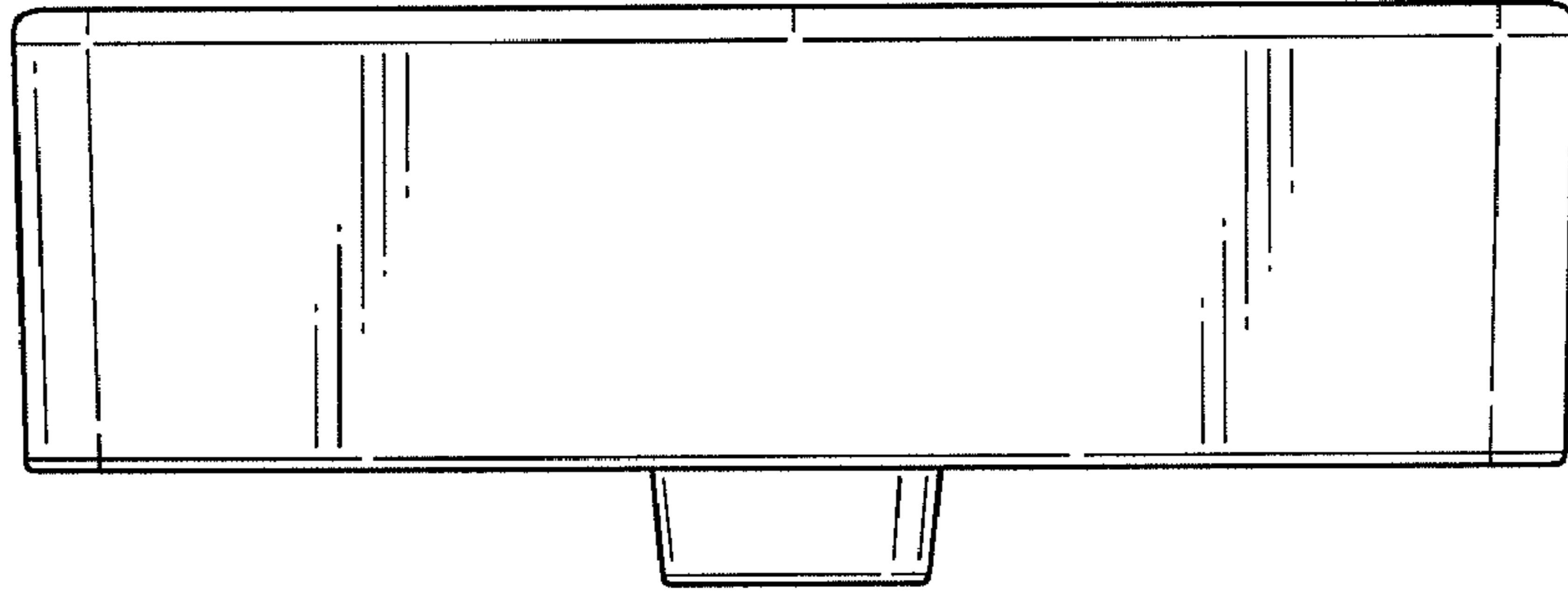
*FIG. 1*



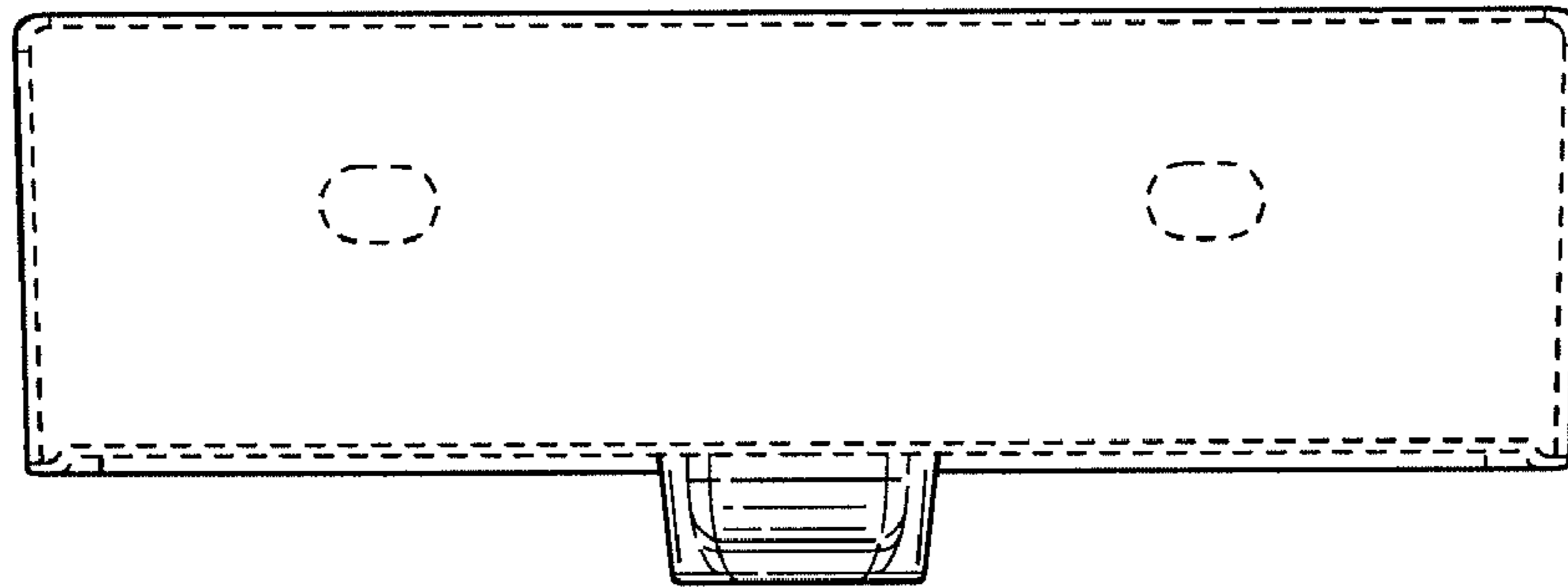
*FIG. 2*



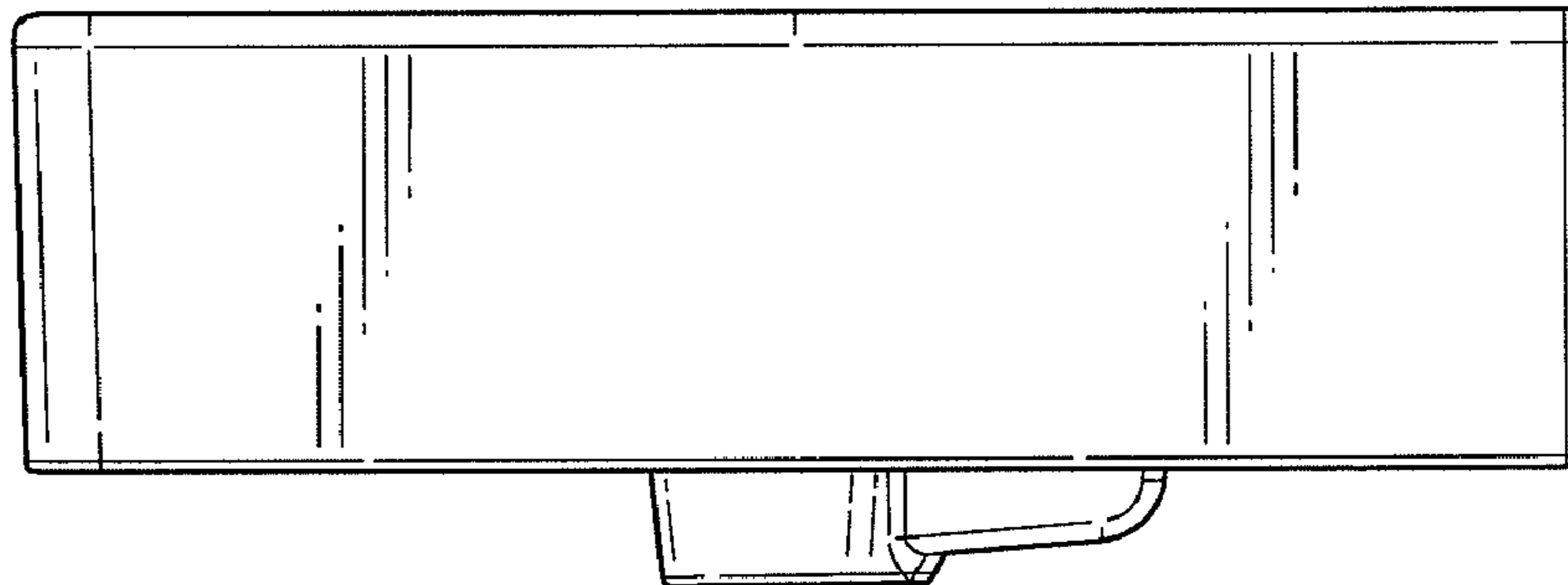
*FIG. 3*



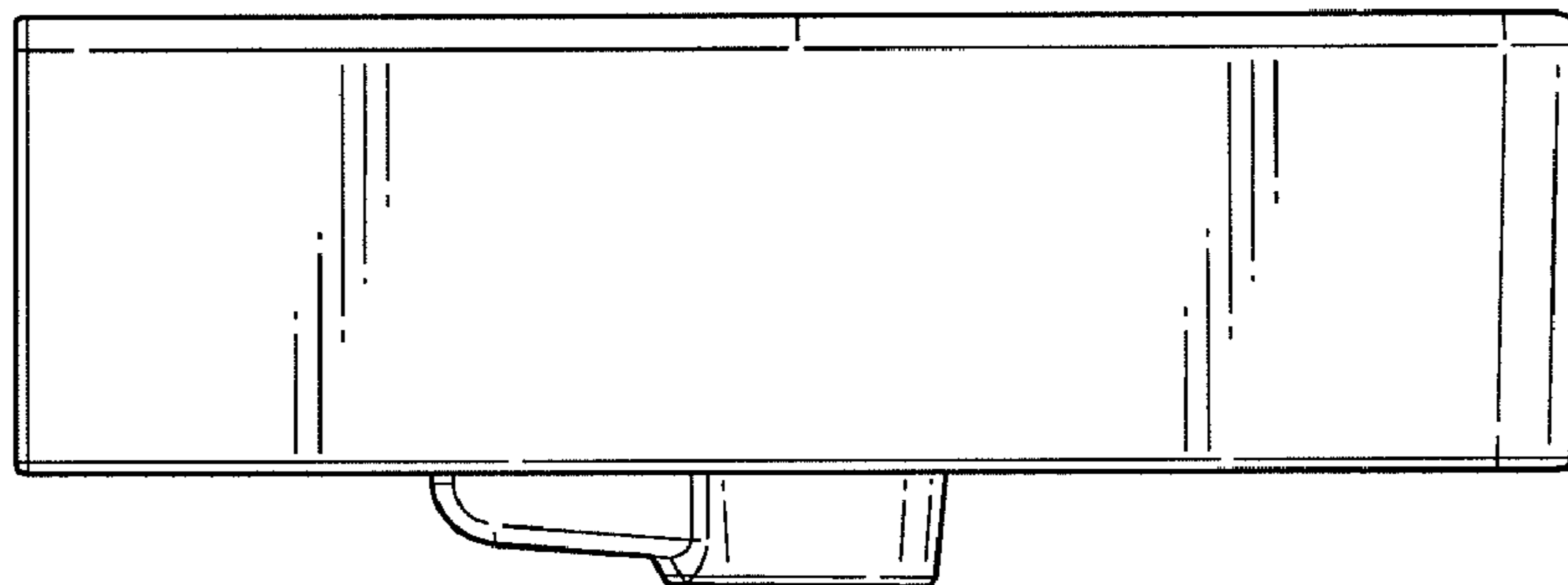
*FIG. 4*



*FIG. 5*



*FIG. 6*



*FIG. 7*