



US00D630715S

(12) **United States Design Patent**
Thomas

(10) **Patent No.:** **US D630,715 S**
(45) **Date of Patent:** **** Jan. 11, 2011**

(54) **SINK**
(75) **Inventor:** **Carter J. Thomas**, Branchburg, NJ (US)
(73) **Assignee:** **AS IP Holdco, L.L.C.**, Piscataway, NJ (US)
(**) **Term:** **14 Years**

Primary Examiner—Robert A Delehanty
(74) *Attorney, Agent, or Firm*—Flaster/Greenberg, P.C.

(21) **Appl. No.:** **29/358,665**

(57) **CLAIM**

The ornamental design for a sink, as shown and described.

(22) **Filed:** **Mar. 30, 2010**

DESCRIPTION

(51) **LOC (9) Cl.** **23-02**
(52) **U.S. Cl.** **D23/284**
(58) **Field of Classification Search** D23/284,
D23/292, 308, 293.1; 4/619, 646
See application file for complete search history.

FIG. 1 is a perspective view of a sink;
FIG. 2 is a top plan view of the sink of FIG. 1;
FIG. 3 is a front view of the sink of FIG. 1;
FIG. 4 is a bottom plan view of the sink of FIG. 1;
FIG. 5 is a rear view of the sink of FIG. 1;
FIG. 6 is a right side view of the sink of FIG. 1; and,
FIG. 7 is a left side view of the sink of FIG. 1.
The broken lines showing of rear and bottom portions are included for the purpose of illustrating a portion of the sink that forms no part of the claimed design.

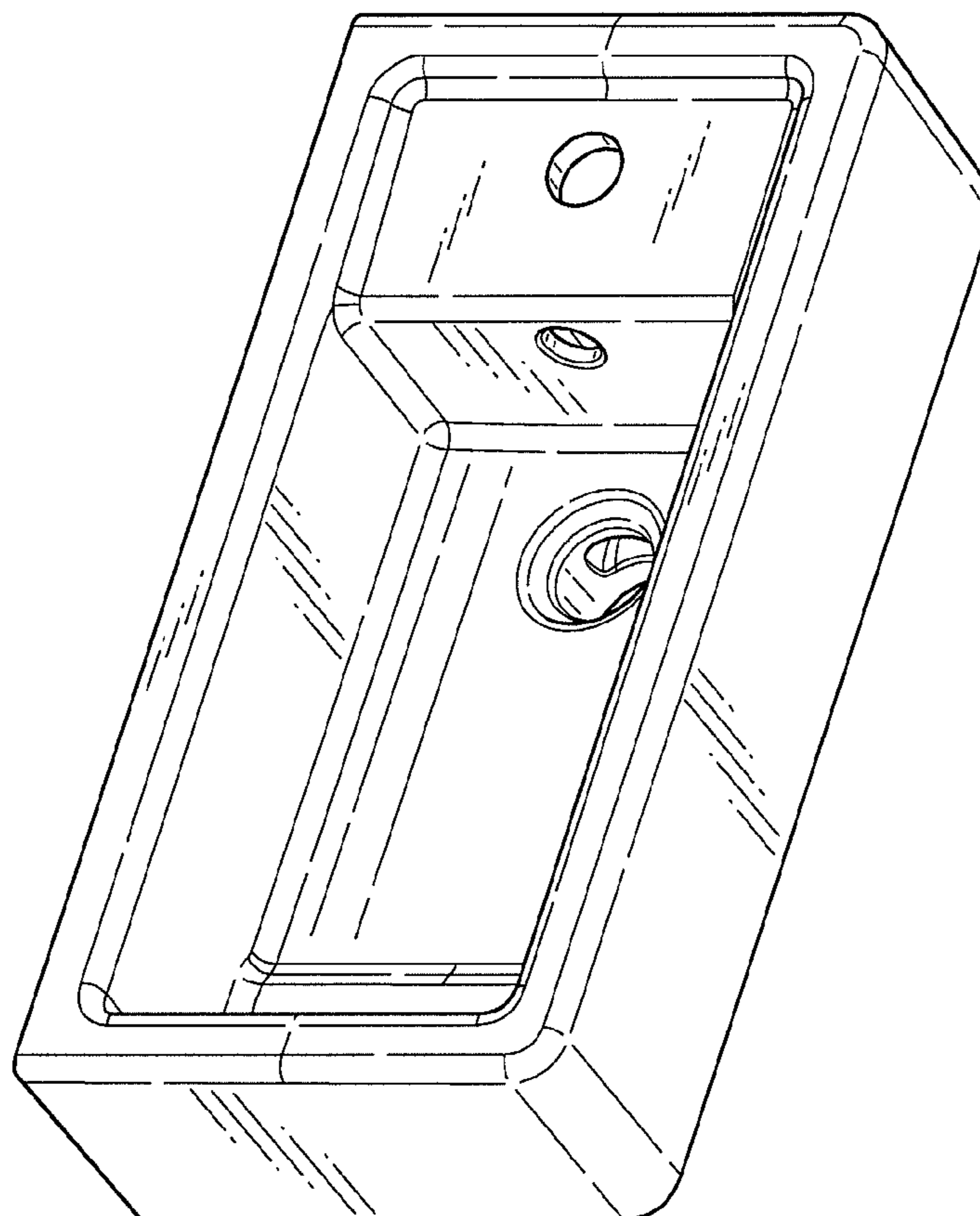
(56) **References Cited**

U.S. PATENT DOCUMENTS

D463,538 S *	9/2002	Chipperfield	D23/284
D575,379 S *	8/2008	Ziemann et al.	D23/284
D598,082 S *	8/2009	Booth	D23/284
D602,133 S *	10/2009	Soulier	D23/284

* cited by examiner

1 Claim, 3 Drawing Sheets



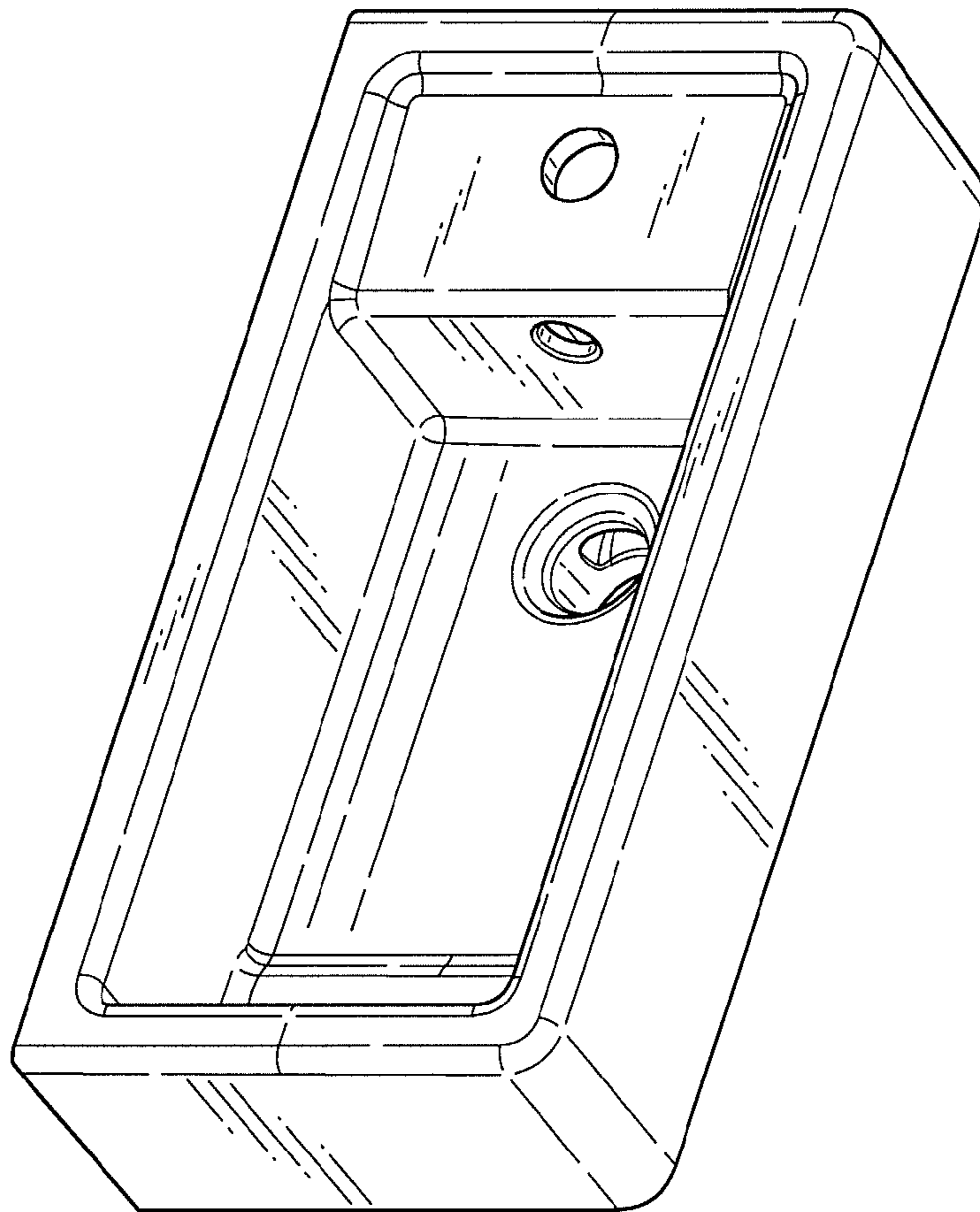


FIG. 1

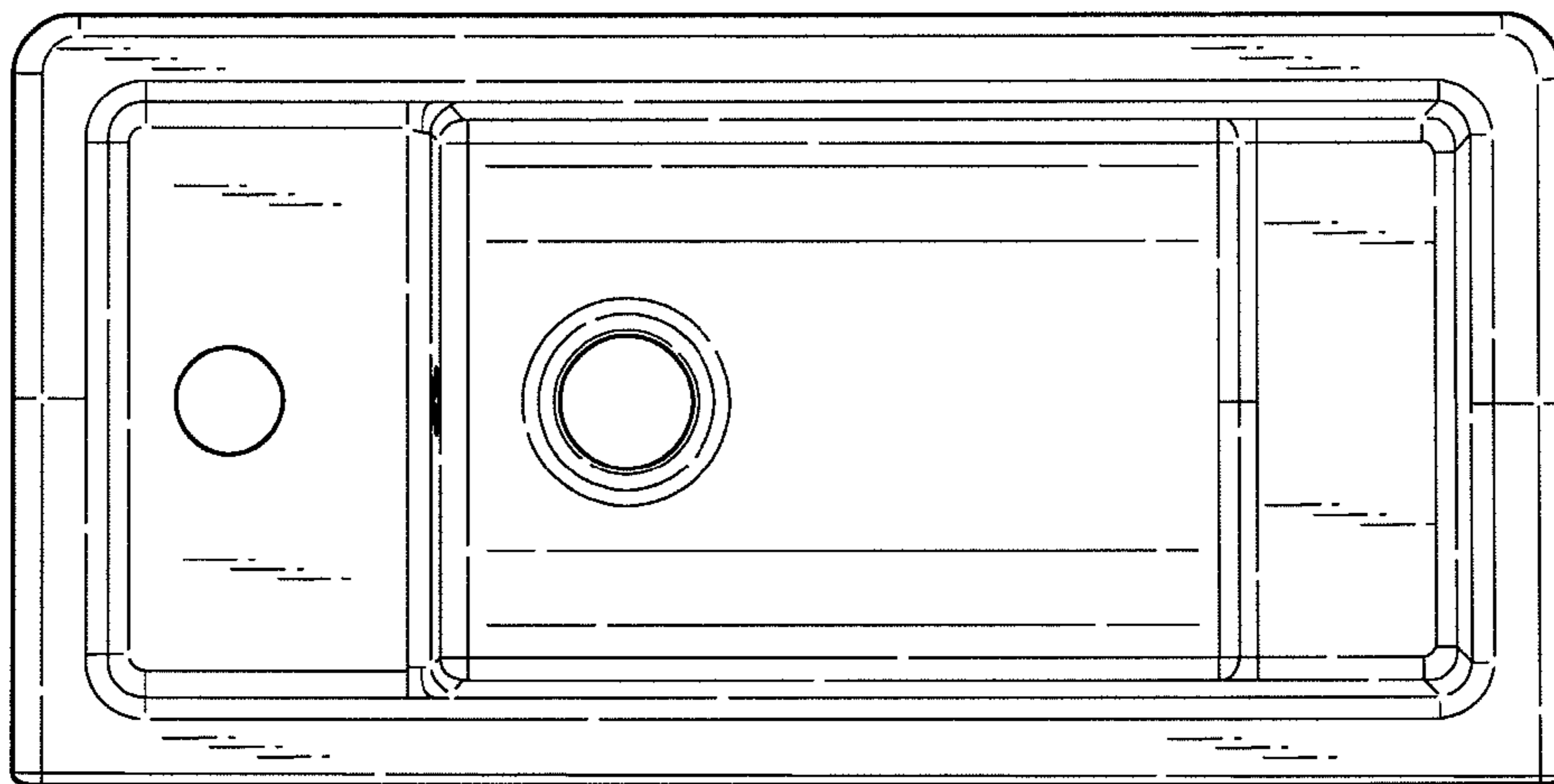


FIG. 2

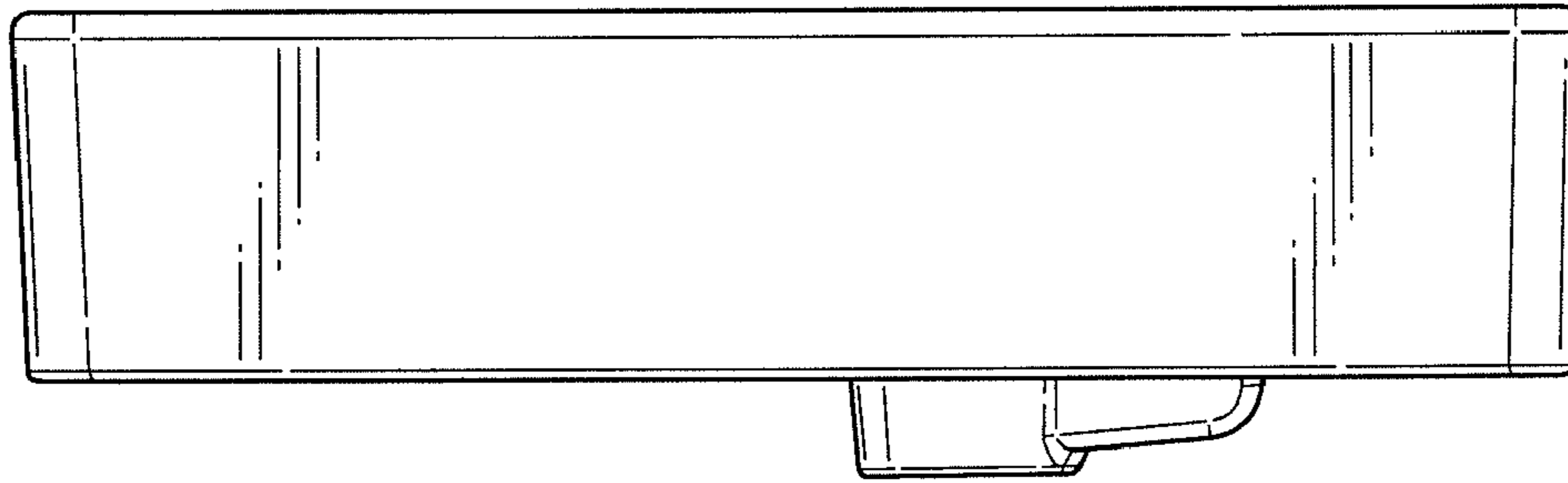


FIG. 3

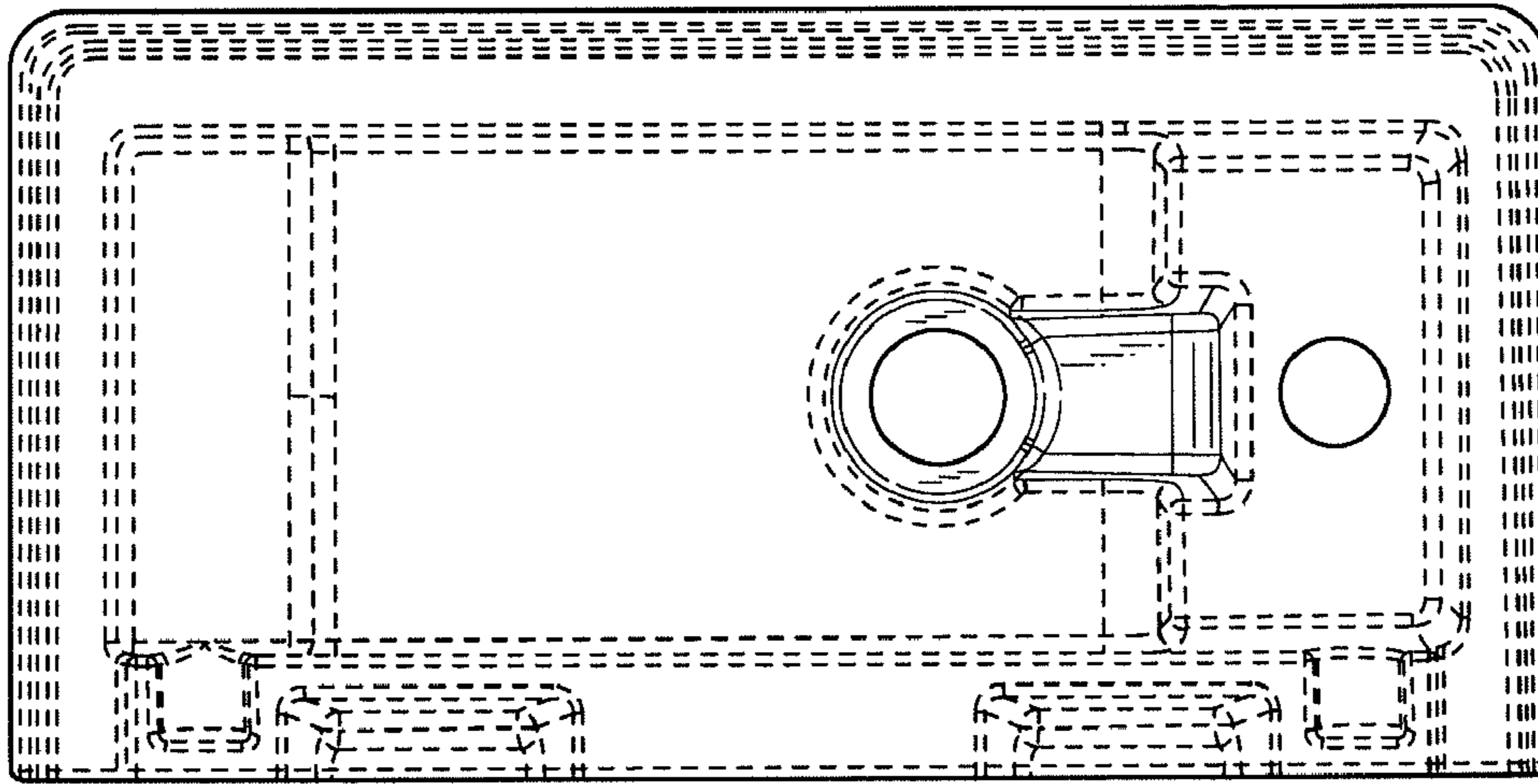


FIG. 4

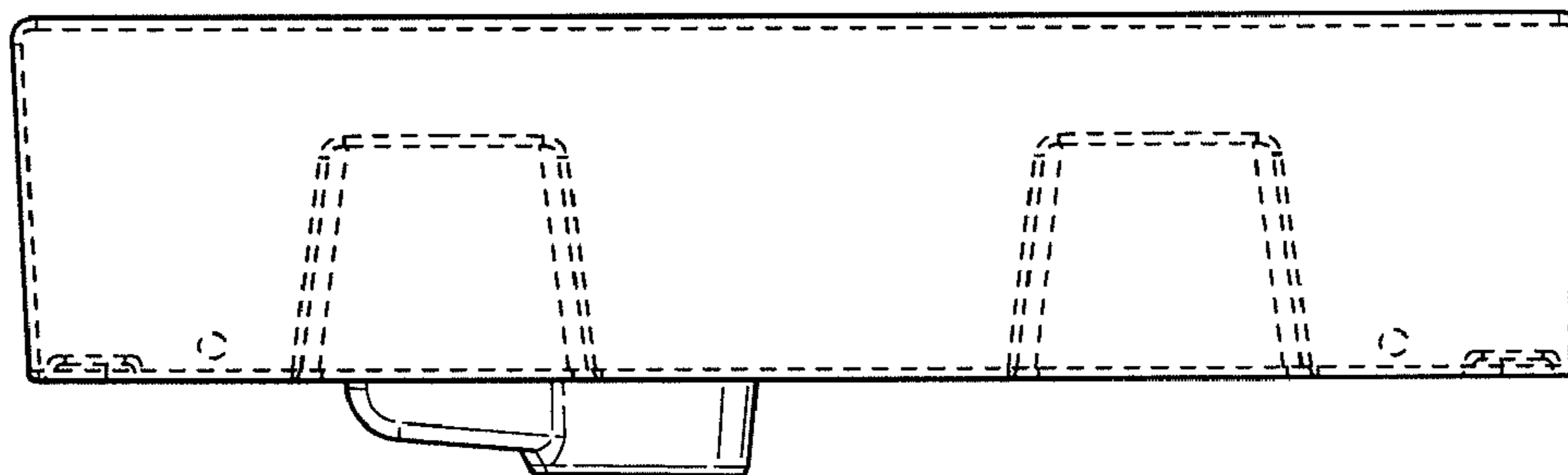


FIG. 5

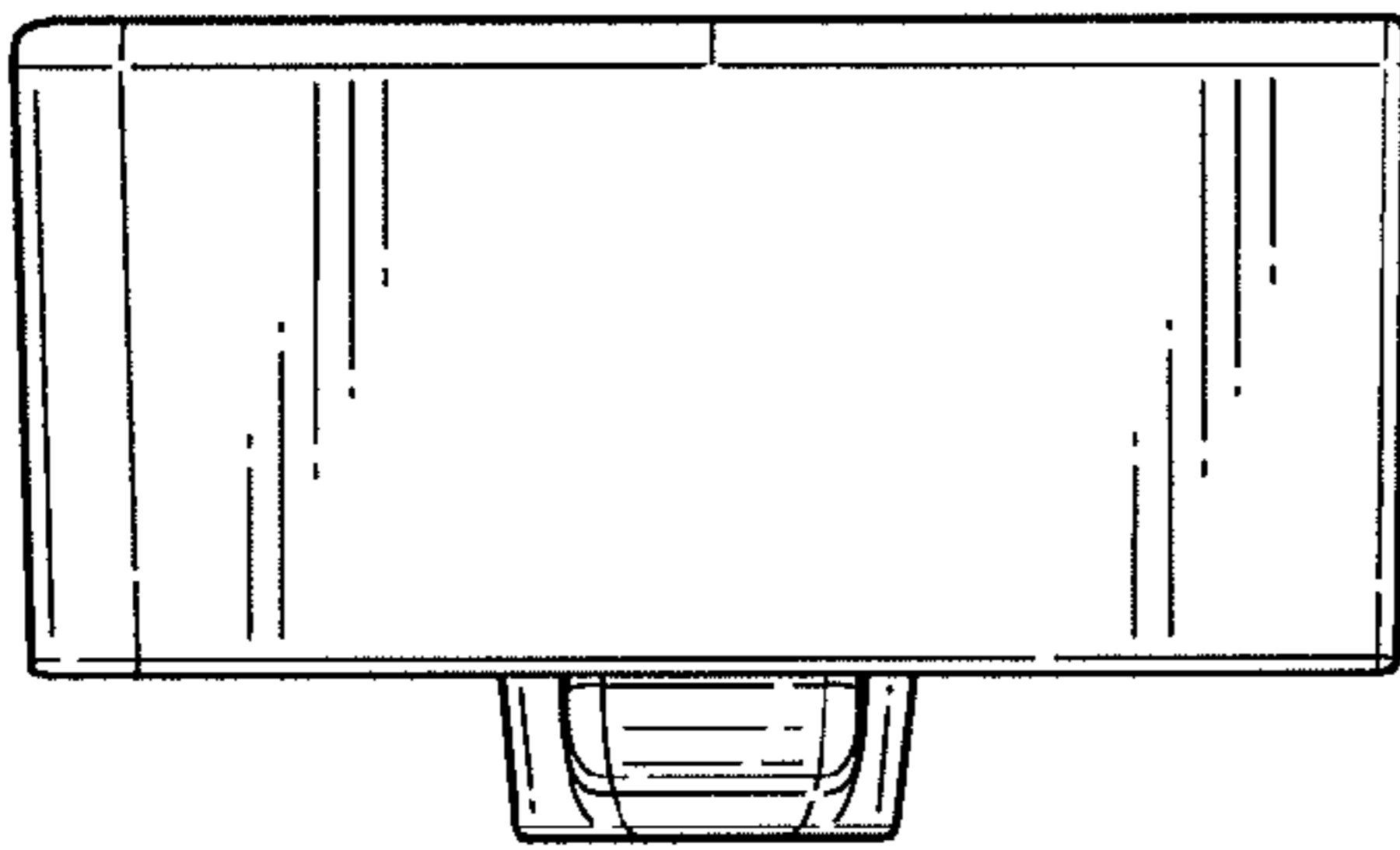


FIG. 6

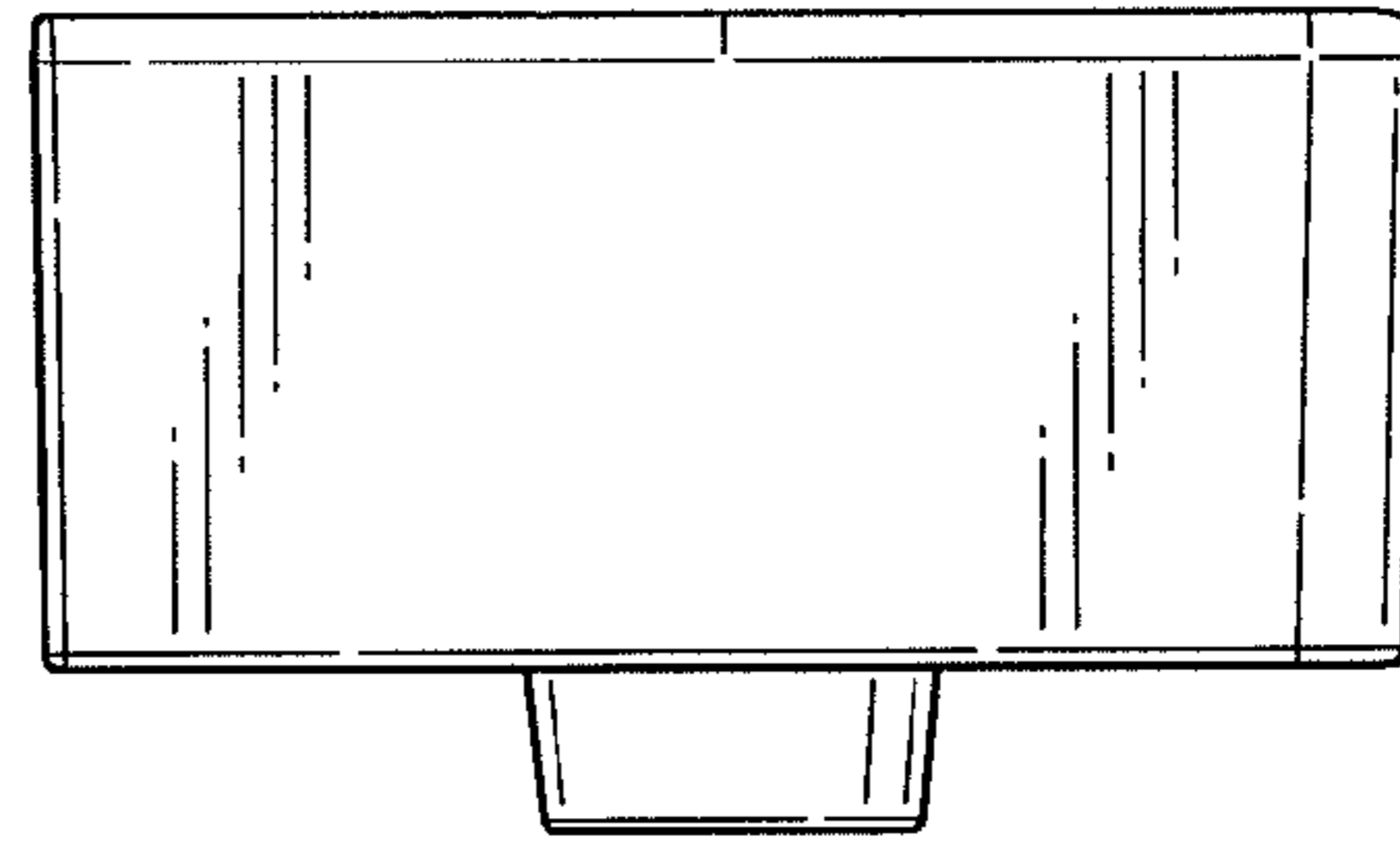


FIG. 7