



US00D630709S

(12) **United States Design Patent**  
**Cantolino**

(10) **Patent No.:** **US D630,709 S**  
(45) **Date of Patent:** **\*\* Jan. 11, 2011**

(54) **RAIL PLATE USED FOR SECURING A FLOAT SWITCH AND A DRAIN LINE CONNECTION TO A FLUID COLLECTION PAN**

(76) Inventor: **Christopher Ralph Cantolino**, 7704 - 18<sup>th</sup> Ave. NW., Bradenton, FL (US) 34209

(\*\*) Term: **14 Years**

(21) Appl. No.: **29/320,941**

(22) Filed: **Jul. 8, 2008**

**Related U.S. Application Data**

(63) Continuation-in-part of application No. 12/012,307, filed on Jan. 31, 2008, now Pat. No. 7,710,283.

(51) **LOC (9) Cl.** ..... **23-01**

(52) **U.S. Cl.** ..... **D23/233**

(58) **Field of Classification Search** ..... D23/233-237, D23/249; 200/61.2, 61.21, 84 R-84 C, 293; 73/305-309, 317, 322.5; 338/33; 340/618-625  
See application file for complete search history.

(56) **References Cited**

**U.S. PATENT DOCUMENTS**

5,775,877	A *	7/1998	Genz	417/41
6,435,125	B2 *	8/2002	Mears	114/360
6,992,260	B1 *	1/2006	Cantolino	200/84 R
7,049,534	B1 *	5/2006	Lee	200/84 R
7,067,750	B1 *	6/2006	Cantolino	200/84 R
7,271,359	B2 *	9/2007	Domzalski	200/84 R

\* cited by examiner

*Primary Examiner*—Cathron C. Brooks  
*Assistant Examiner*—Maurice Stevens  
(74) *Attorney, Agent, or Firm*—Dorothy S. Morse

(57) **CLAIM**

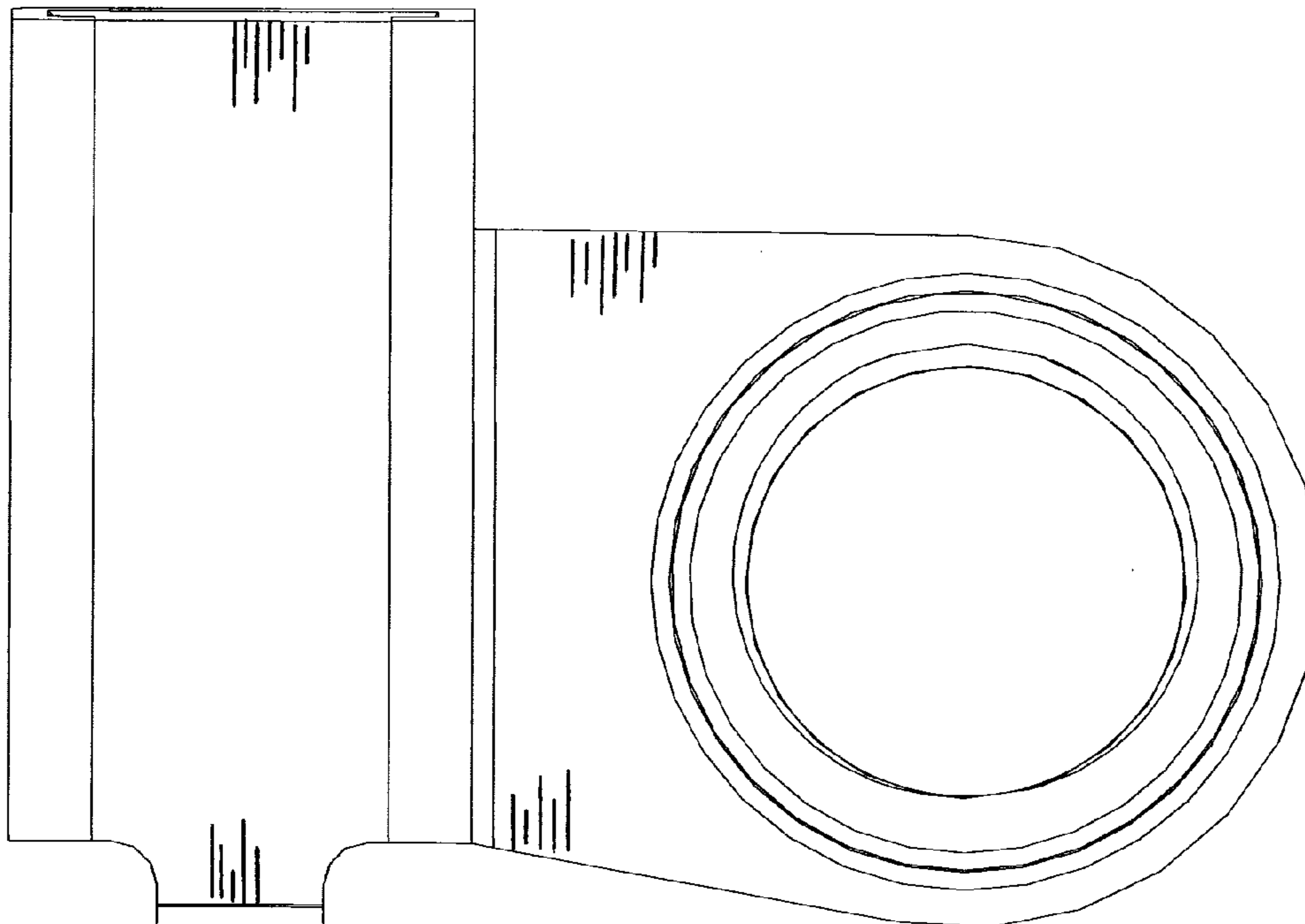
The ornamental design for a rail plate used for securing a float switch and a drain line connection to a fluid collection pan, as shown and described.

**DESCRIPTION**

FIG. 1 is a perspective view of the invention.  
FIG. 2 is an isometric view of the invention.  
FIG. 3 is a front view of the invention.  
FIG. 4 is a back view of the invention.  
FIG. 5 is a left side view of the invention.  
FIG. 6 is a right side view of the invention.  
FIG. 7 is a top view of the invention.  
FIG. 8 is a bottom view of the invention.  
FIG. 9 is a rear view of the invention.  
FIG. 10 is a front perspective view of the invention in a position of use; and,  
FIG. 11 is an additional front perspective view of the invention.

The broken lines shown in the drawings represent environmental structures and form no part of the claimed design.

**1 Claim, 11 Drawing Sheets**



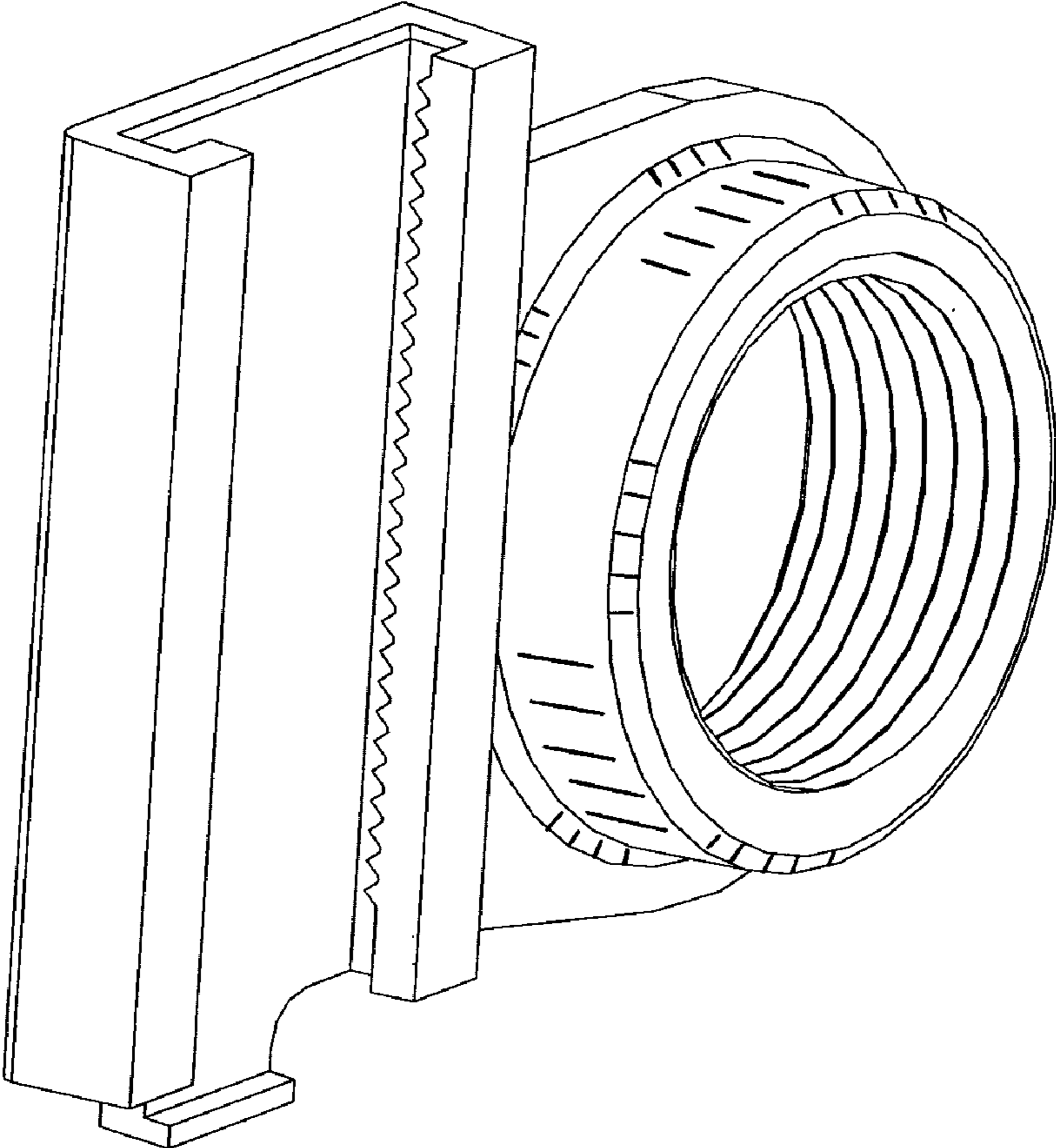


FIG. 1

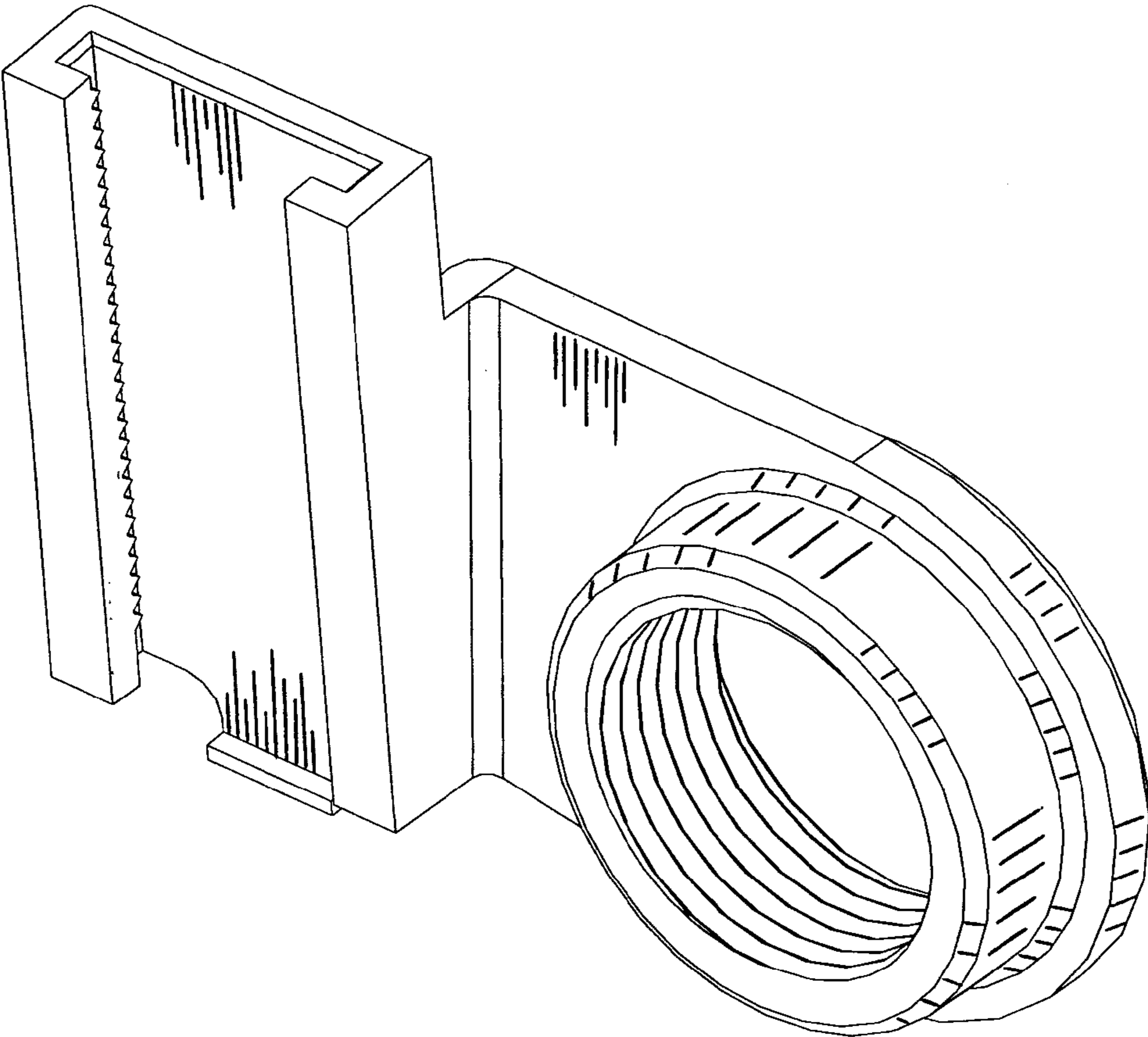


FIG. 2

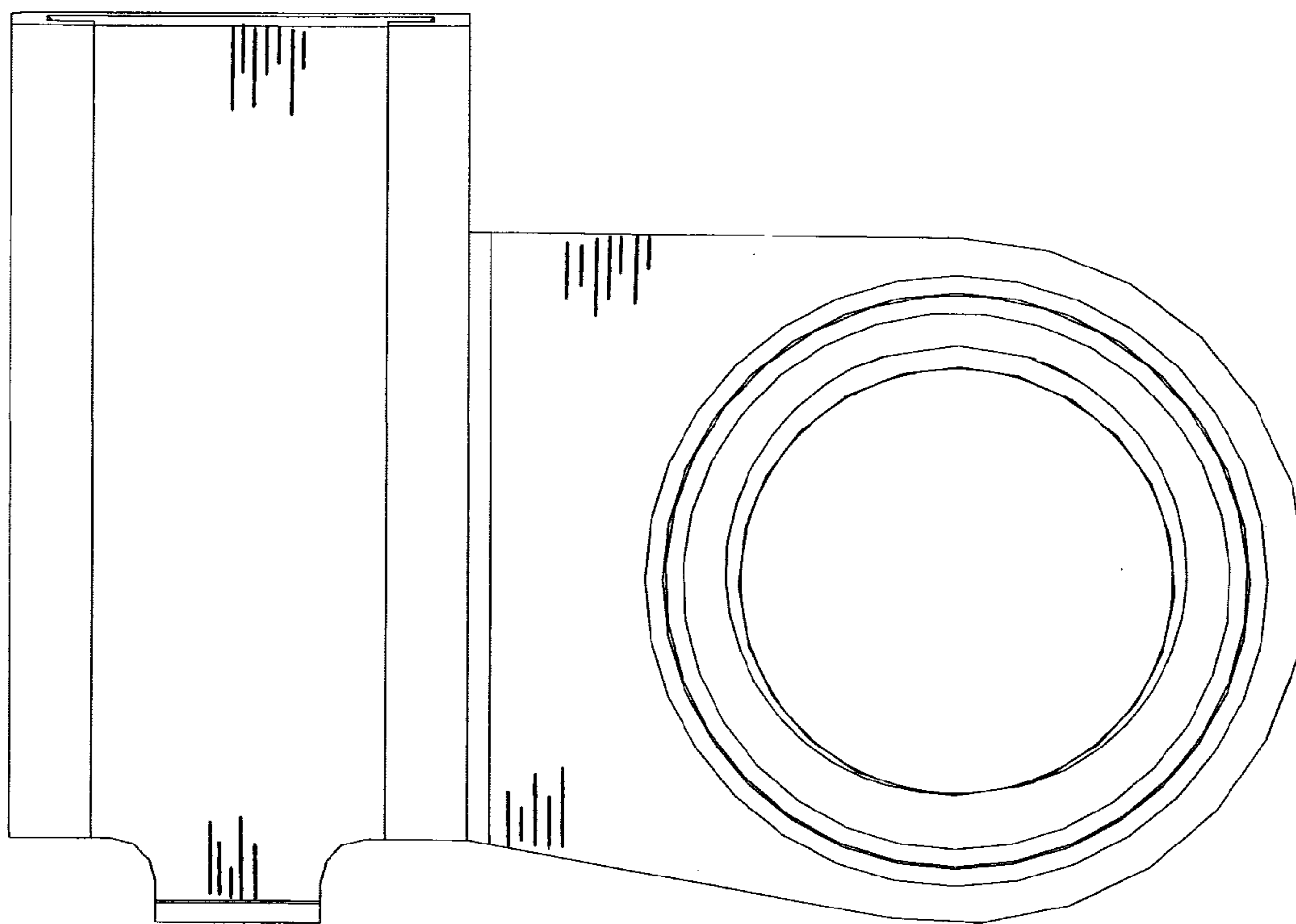


FIG. 3

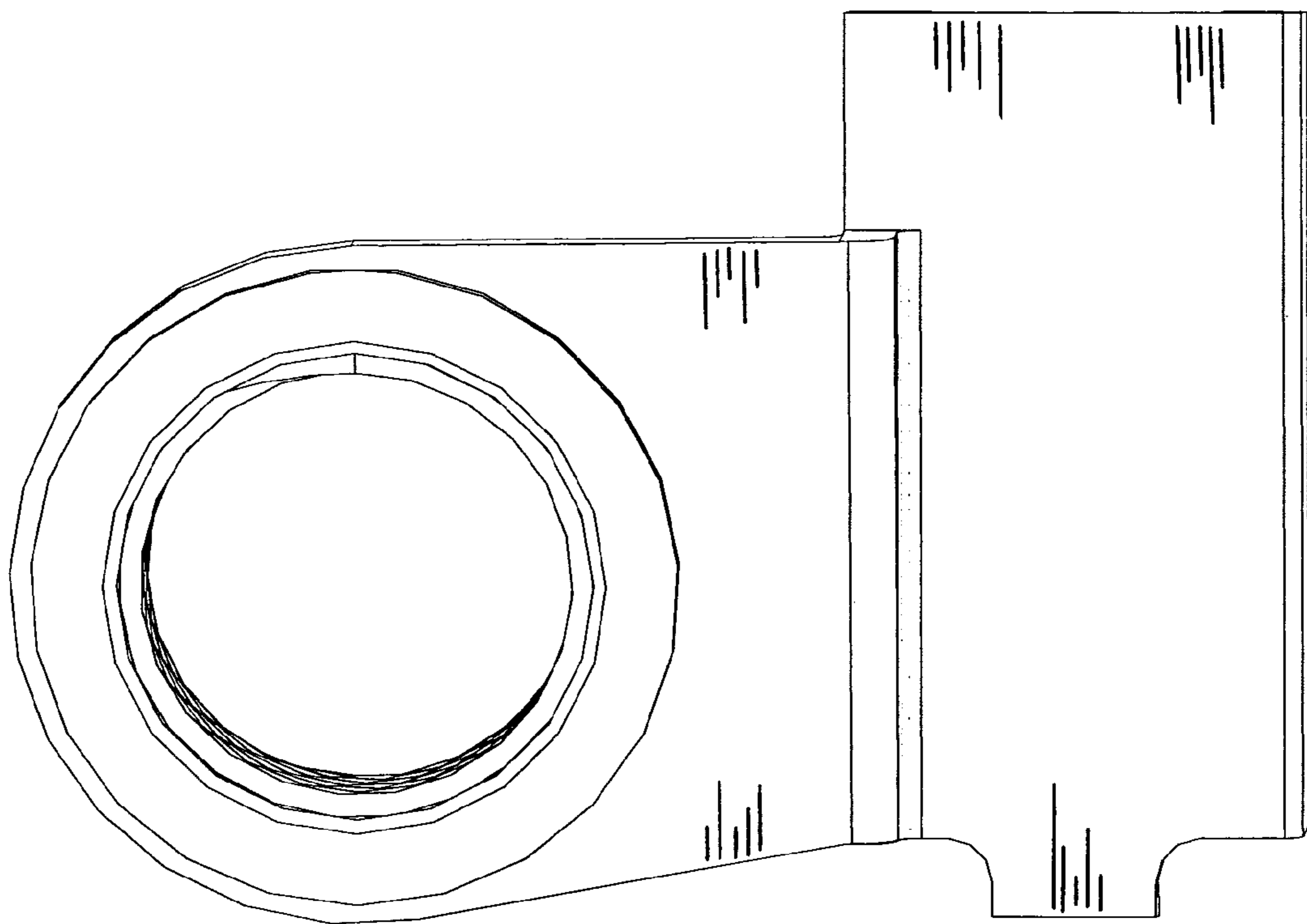


FIG. 4

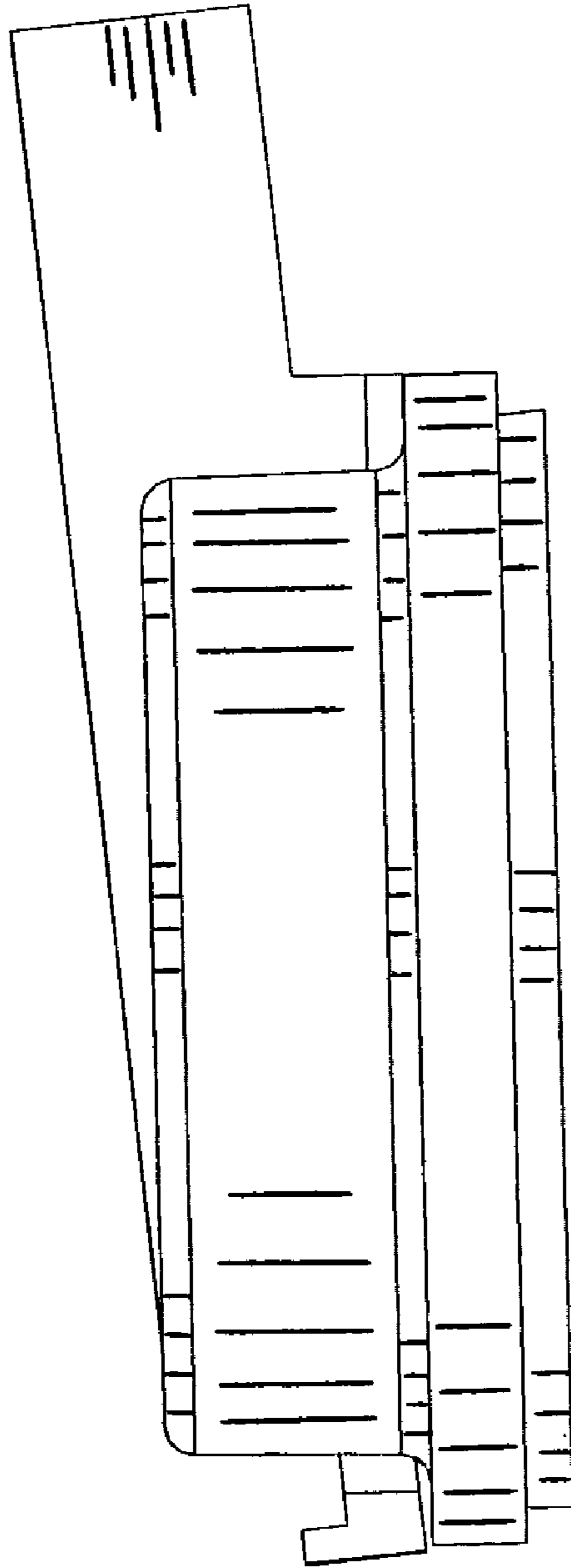


FIG. 5

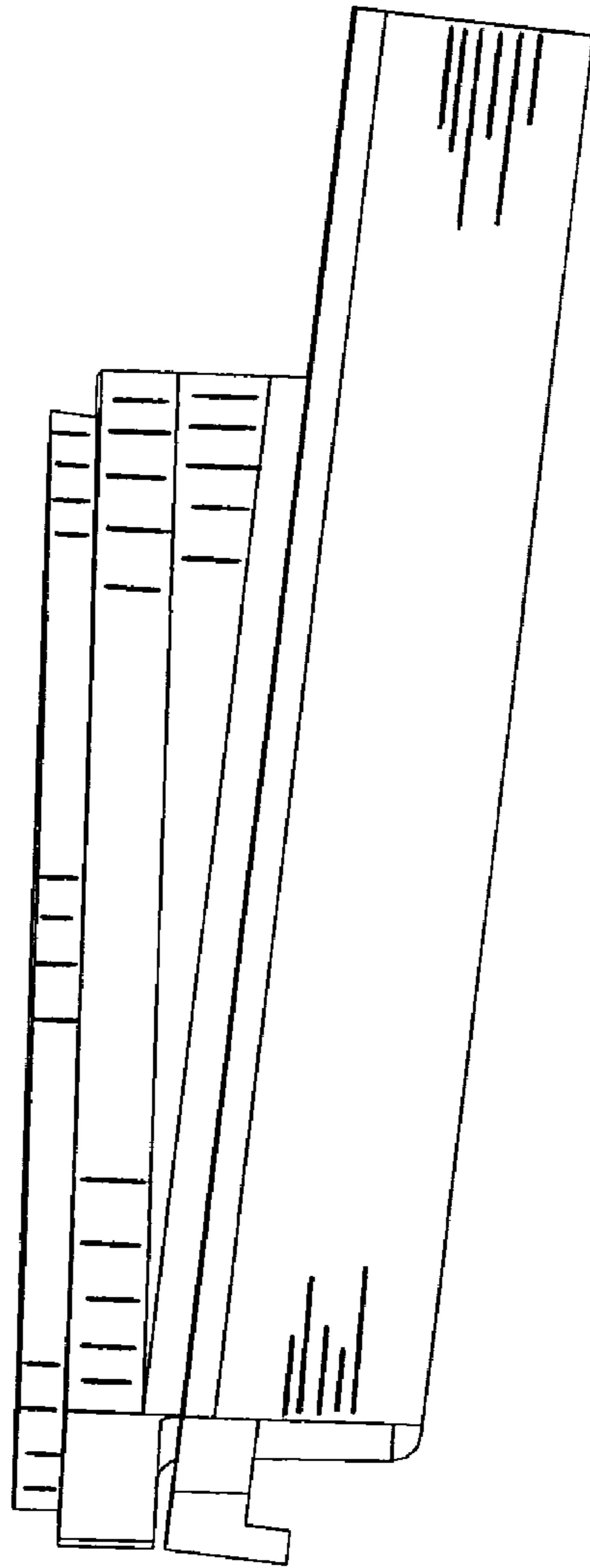


FIG. 6

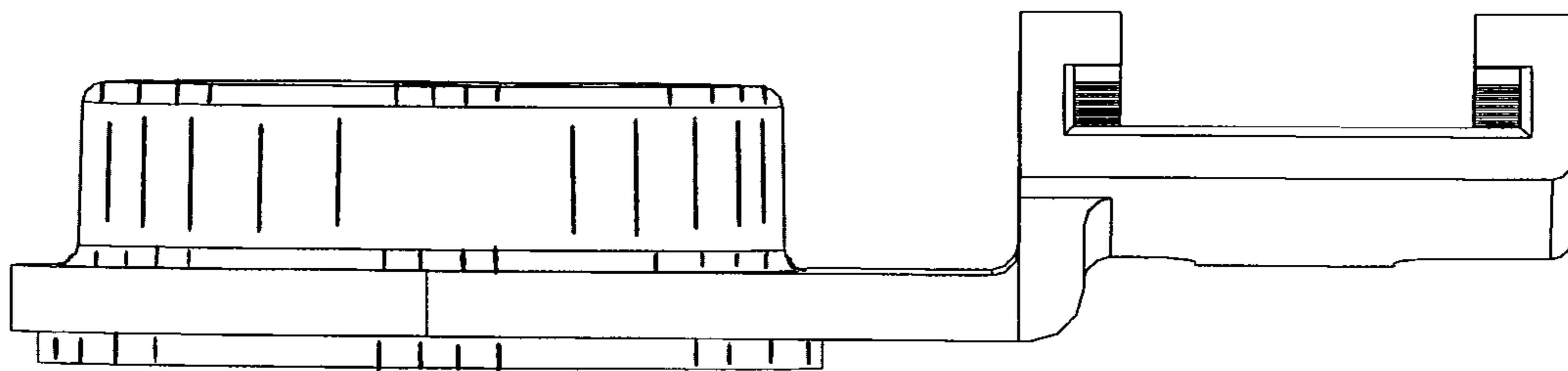


FIG. 7



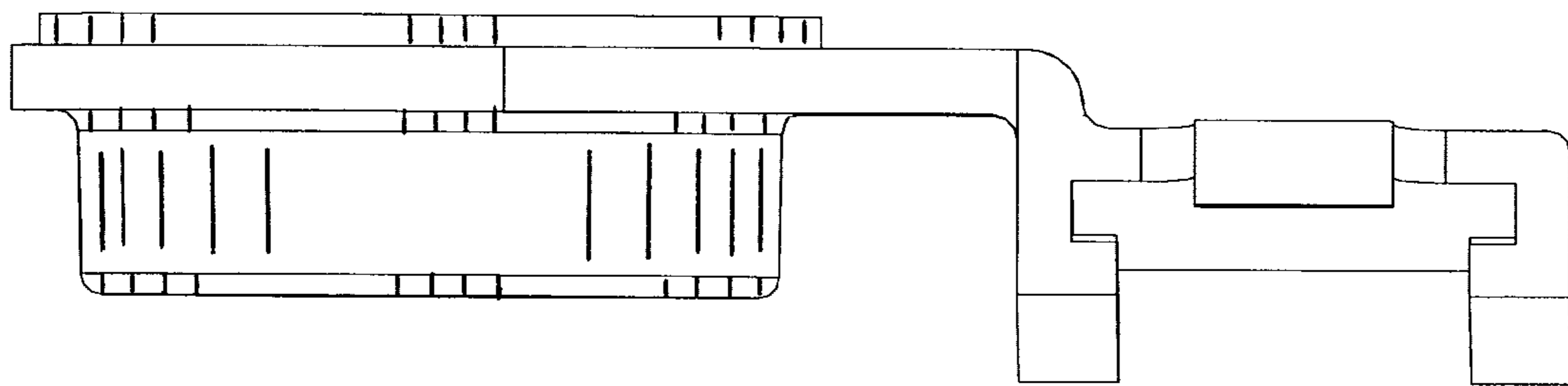


FIG. 8

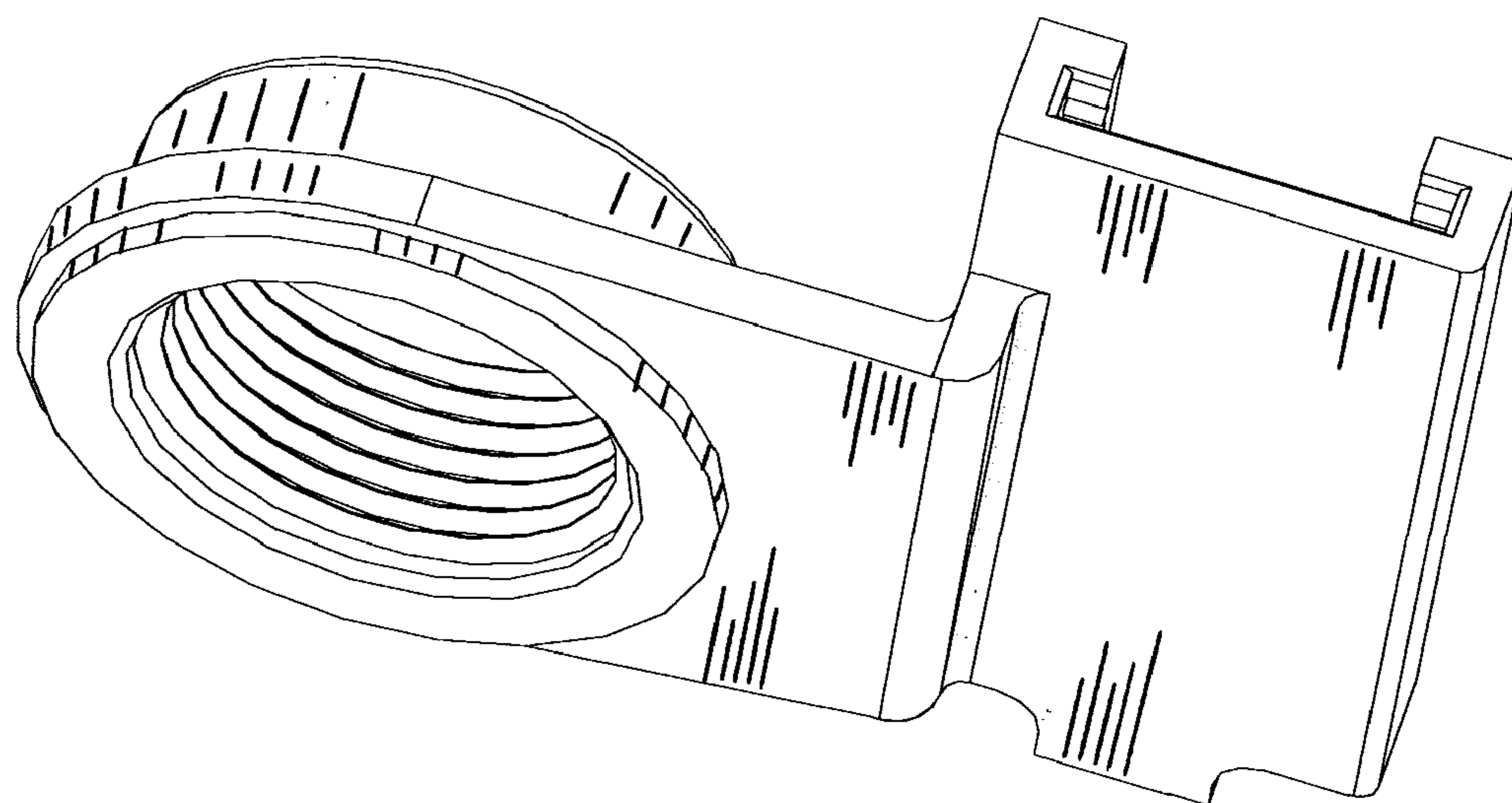


FIG. 9

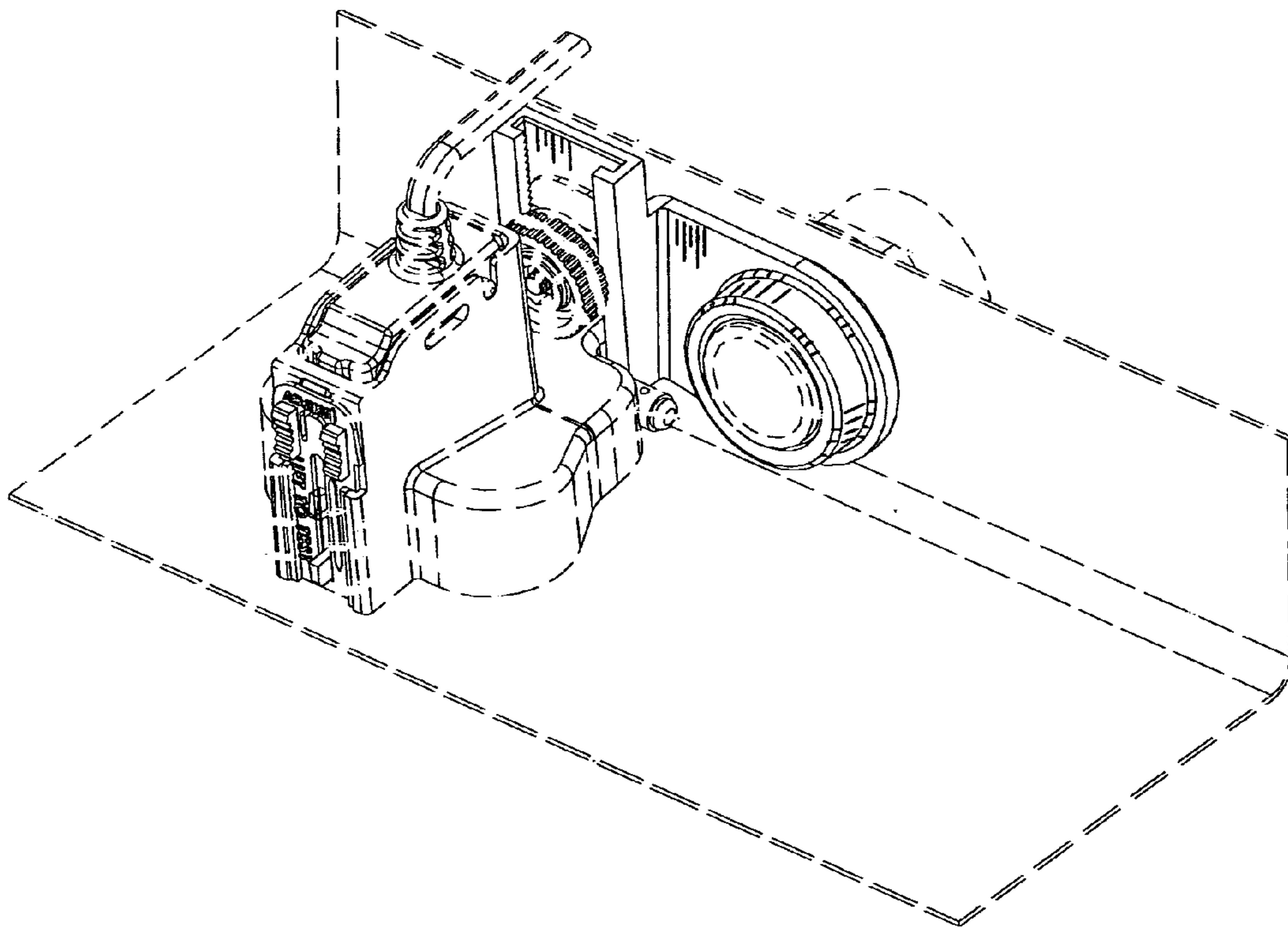


FIG. 10

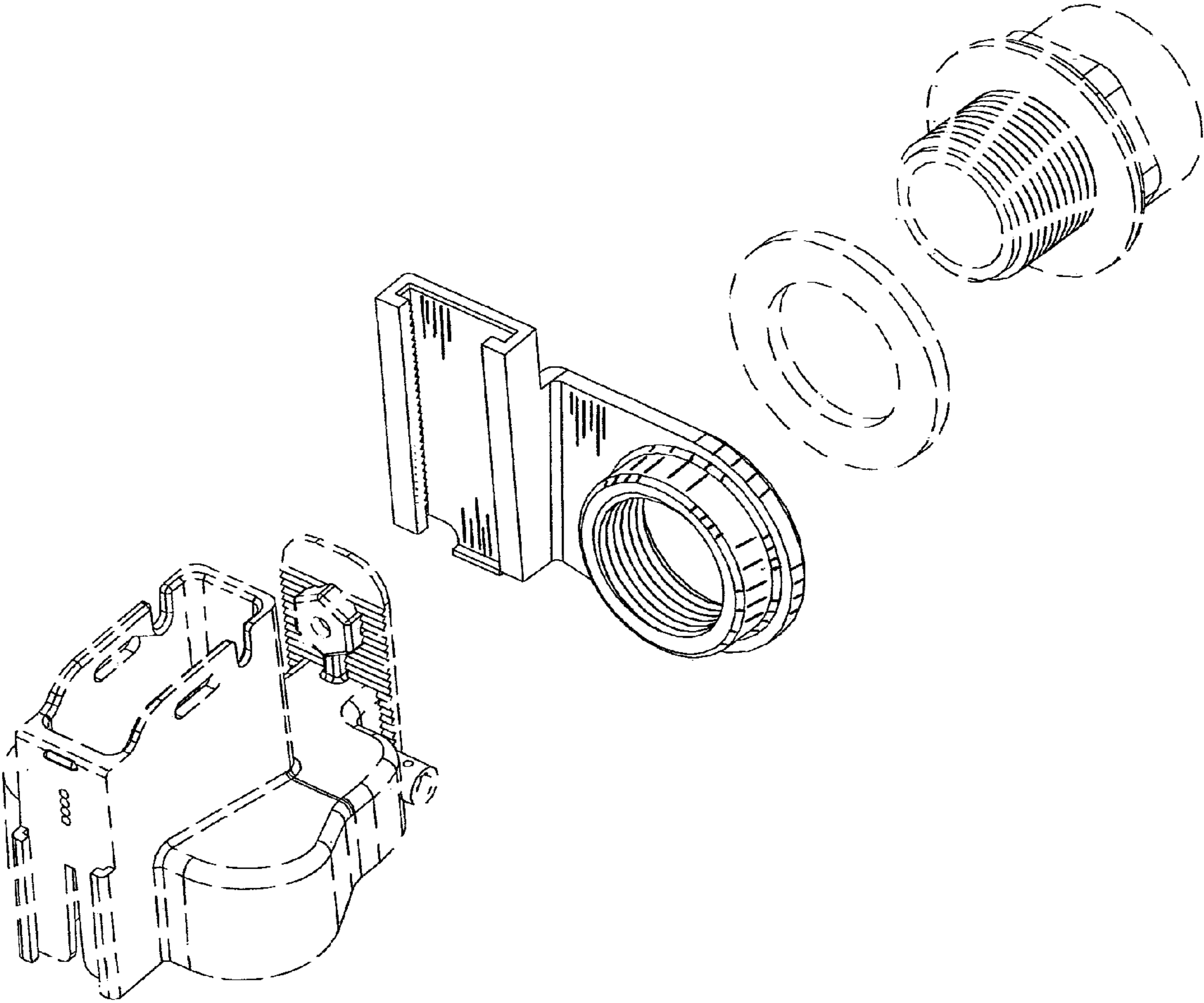


FIG. 11