



US00D630708S

(12) **United States Design Patent**
Blenkush et al.

(10) **Patent No.:** **US D630,708 S**
(45) **Date of Patent:** **** Jan. 11, 2011**

(54) **AIRLESS PAINT SPRAYER**

(75) Inventors: **William M. Blenkush**, Becker, MN (US); **Steve Wrobel**, Rogers, MN (US); **Barry W. Mattson**, Elk River, MN (US); **August F. Legatt**, Maple Lake, MN (US); **David J. Thompson**, Oak Grove, MN (US); **Bradley H. Hines**, Andover, MN (US); **Diane L. Olson**, Princeton, MN (US)

(73) Assignee: **Graco Minnesota Inc.**, Minneapolis, MN (US)

(**) Term: **14 Years**

(21) Appl. No.: **29/354,683**

(22) Filed: **Jan. 27, 2010**

(51) **LOC (9) Cl.** **23-01**

(52) **U.S. Cl.** **D23/225**

(58) **Field of Classification Search** D23/213, D23/225; 239/332, 333, 383.1, 372

See application file for complete search history.

(56) **References Cited**

U.S. PATENT DOCUMENTS

D490,500 S * 5/2004 Ye et al. D23/225
D609,778 S * 2/2010 Woodgate D23/225
D615,614 S * 5/2010 Tullney et al. D23/225

OTHER PUBLICATIONS

Wagner Optimus Plus Owners Manual.
Graco Airless Accessories Brochure, specifically pp. 2-5, 2008.

* cited by examiner

Primary Examiner—Robin V Webster

(74) *Attorney, Agent, or Firm*—Douglas B. Farrow

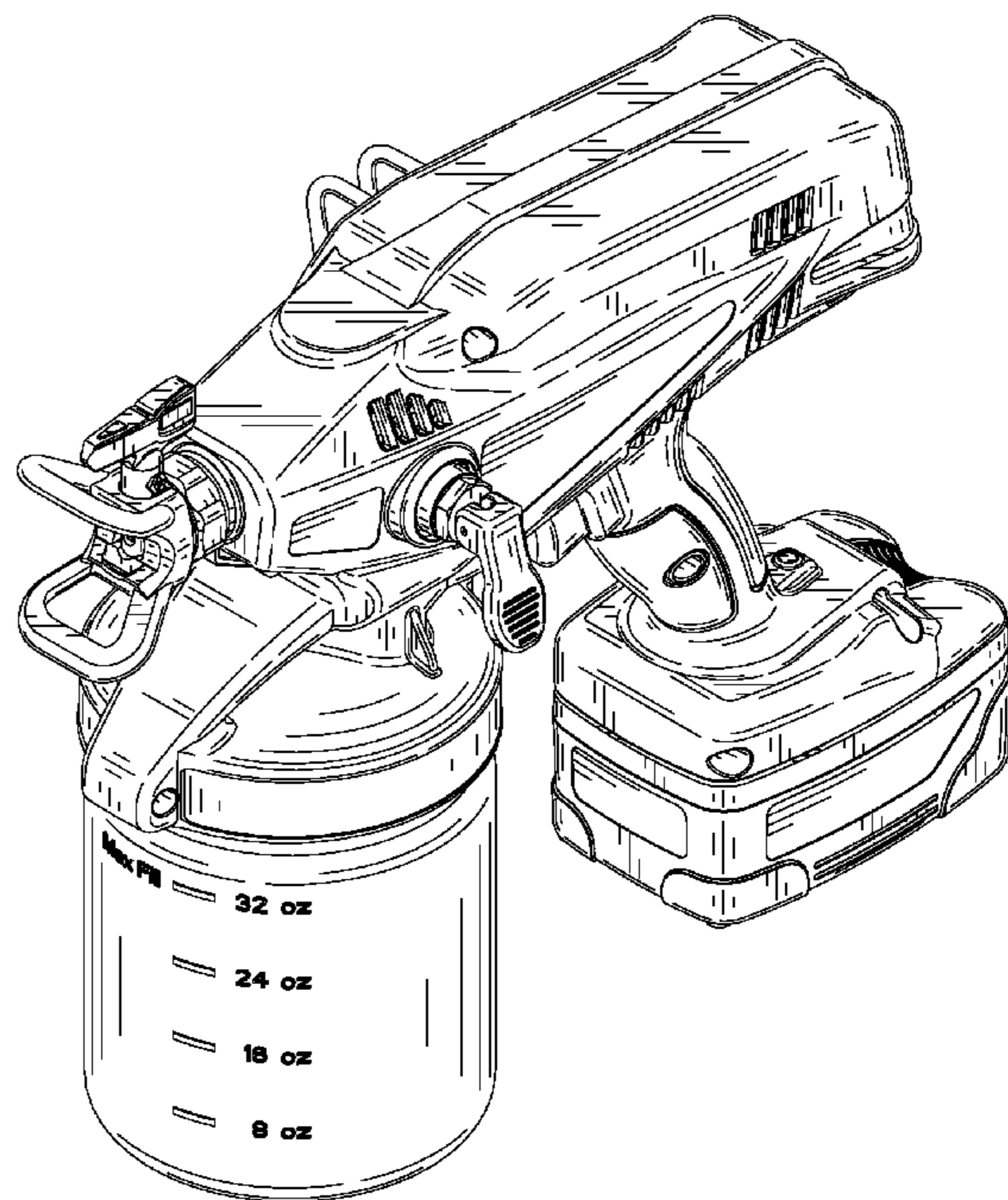
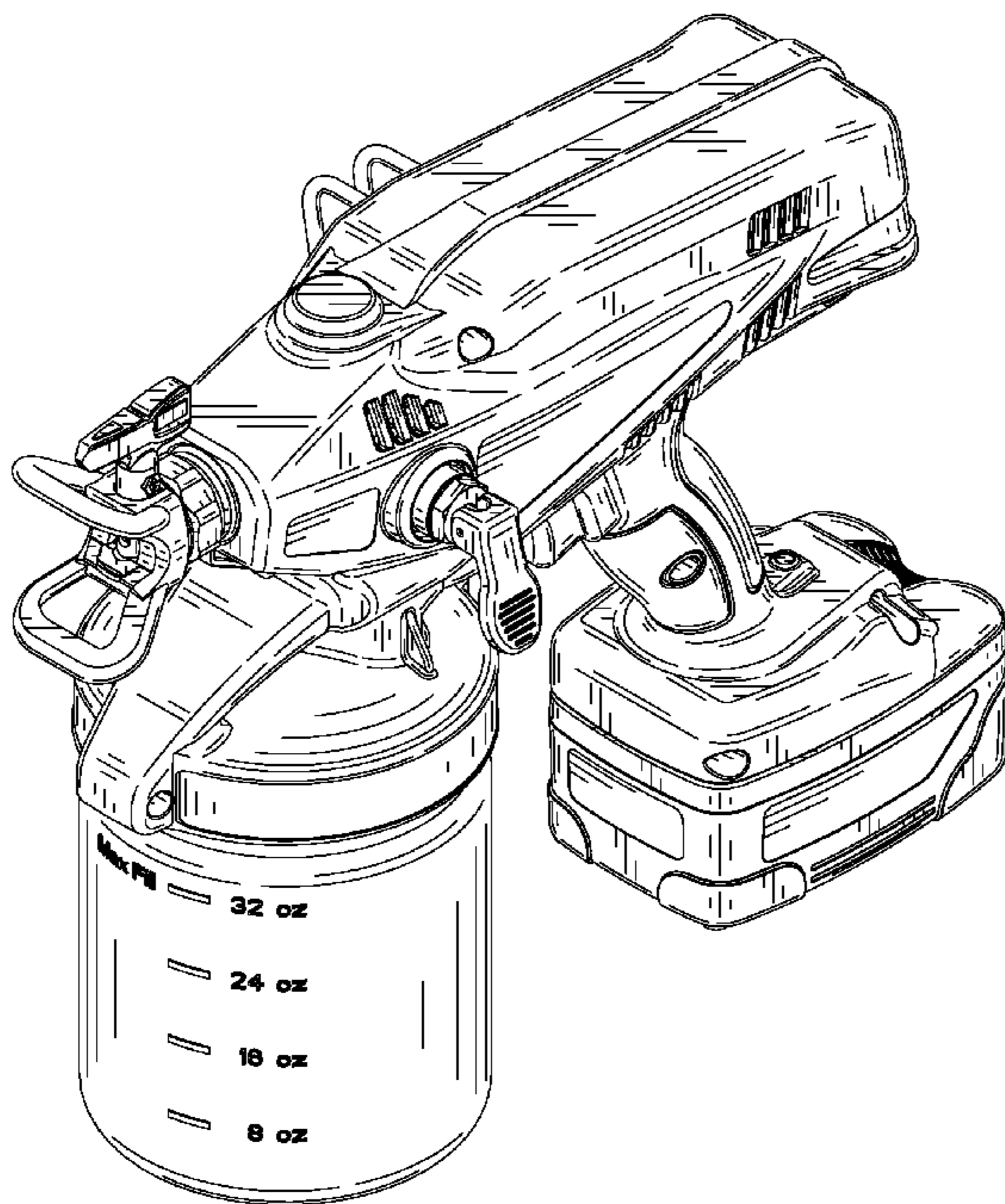
(57) **CLAIM**

The ornamental design for the airless paint sprayer, as shown and described.

DESCRIPTION

FIG. 1 is a front view of the airless paint sprayer;
FIG. 2 is a top view thereof;
FIG. 3 is a right side view thereof,
FIG. 4 is a bottom view thereof;
FIG. 5 is a rear view thereof;
FIG. 6 is a left side view thereof;
FIG. 7 is a front isometric view thereof;
FIG. 8 is a front view of an alternative embodiment of the airless paint sprayer;
FIG. 9 is a top view thereof;
FIG. 10 is a right side view thereof,
FIG. 11 is a bottom view thereof;
FIG. 12 is a rear view thereof;
FIG. 13 is a left side view thereof; and,
FIG. 14 is a front isometric view thereof.

1 Claim, 14 Drawing Sheets



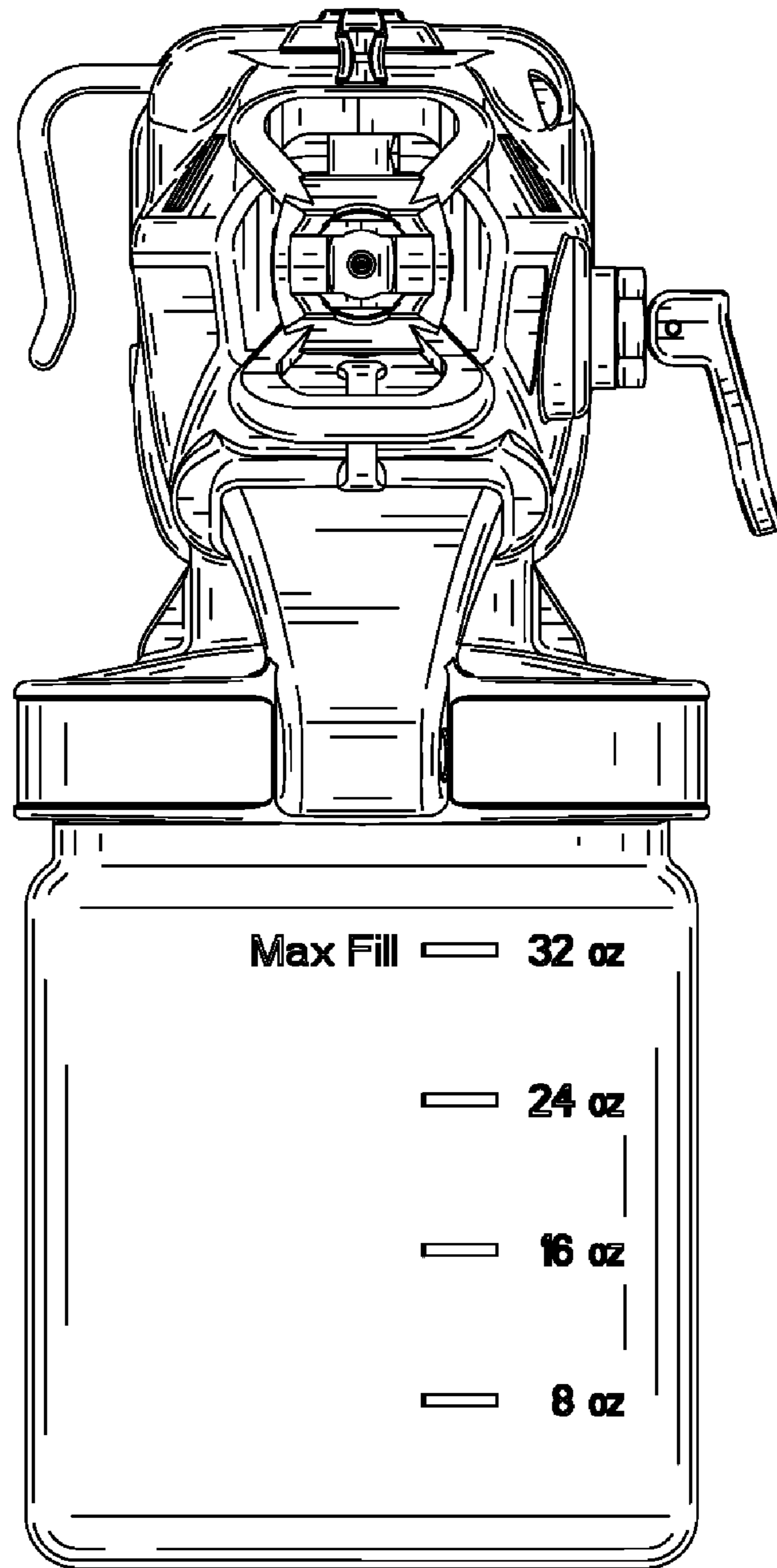


FIG. 1

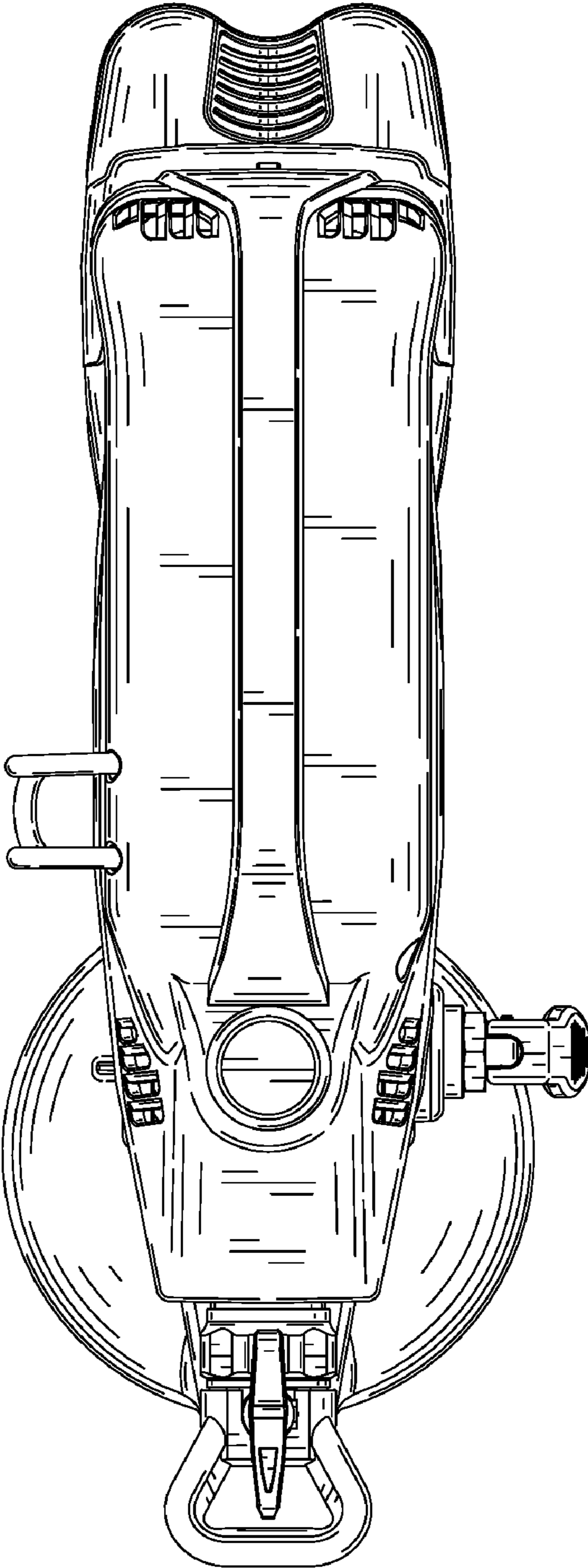


FIG. 2

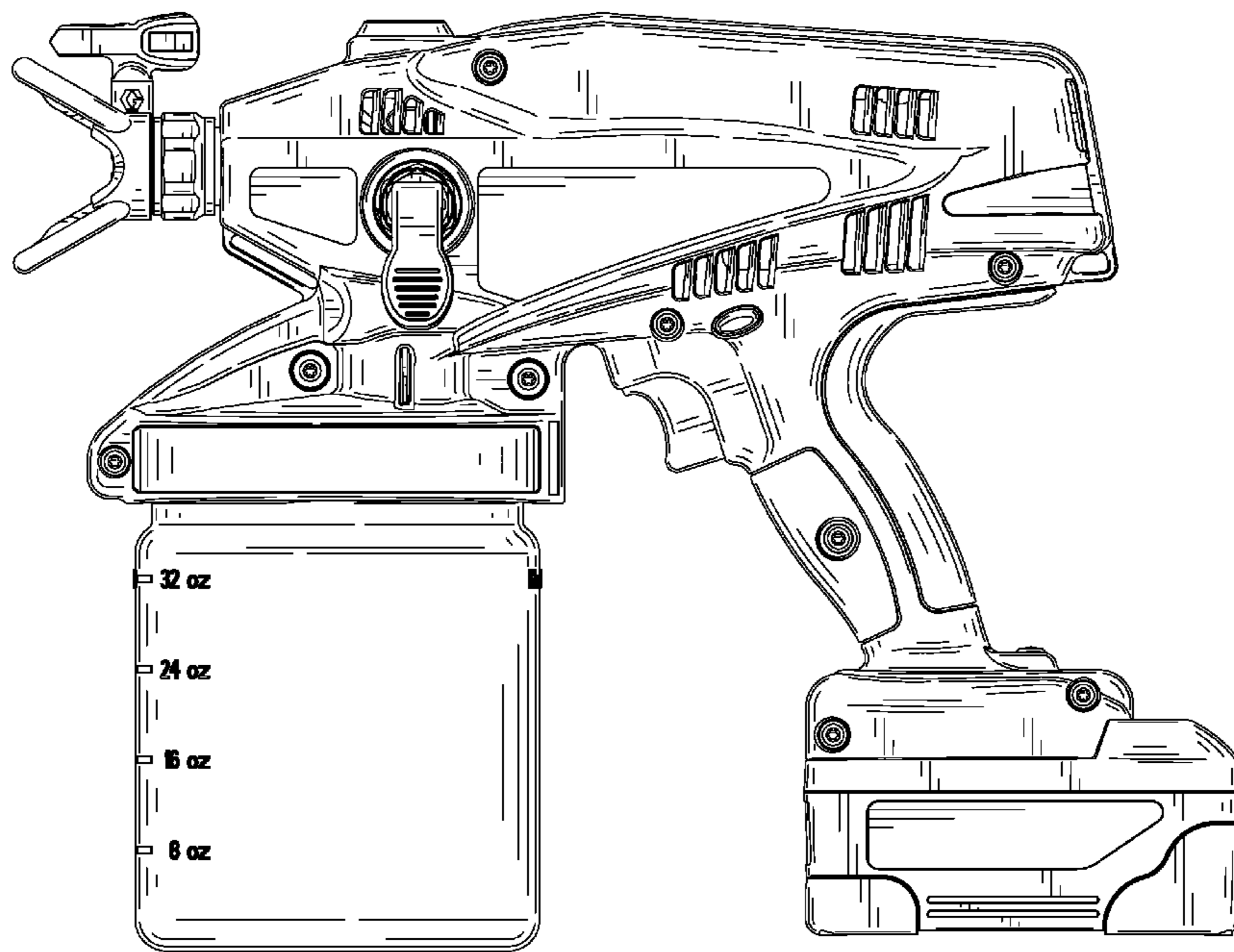


FIG. 3

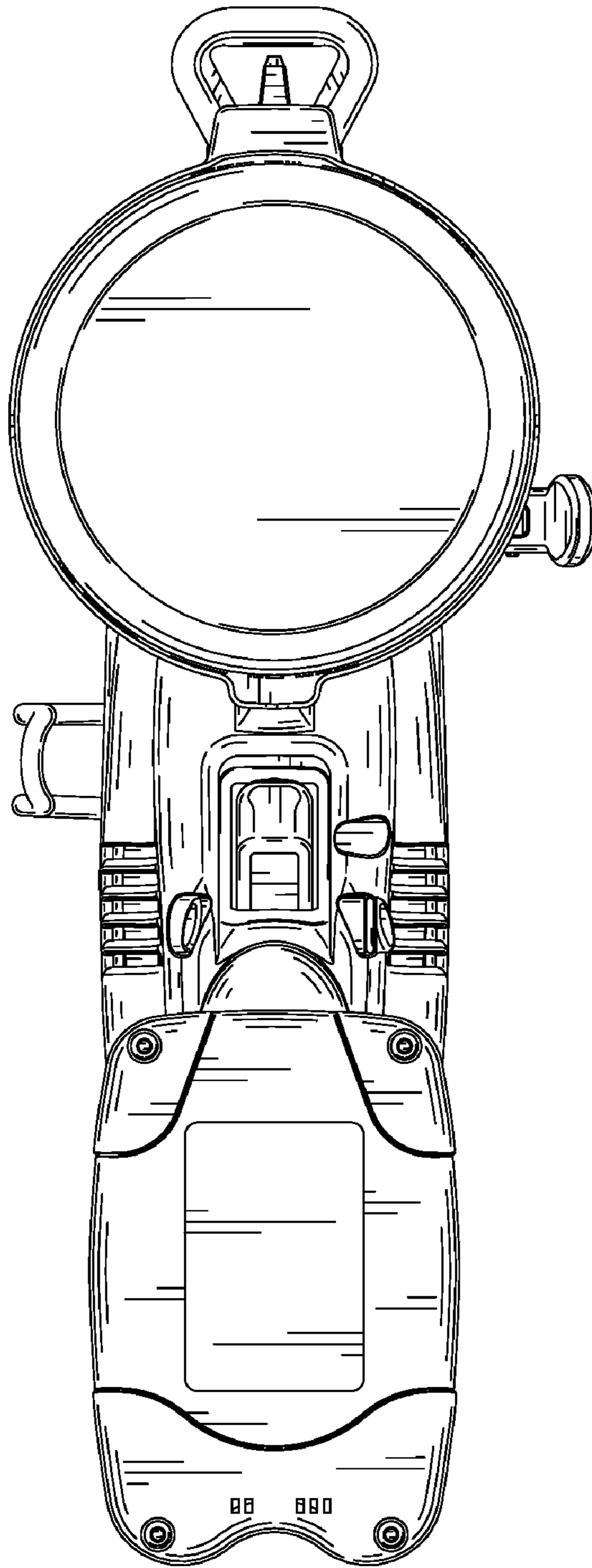


FIG. 4

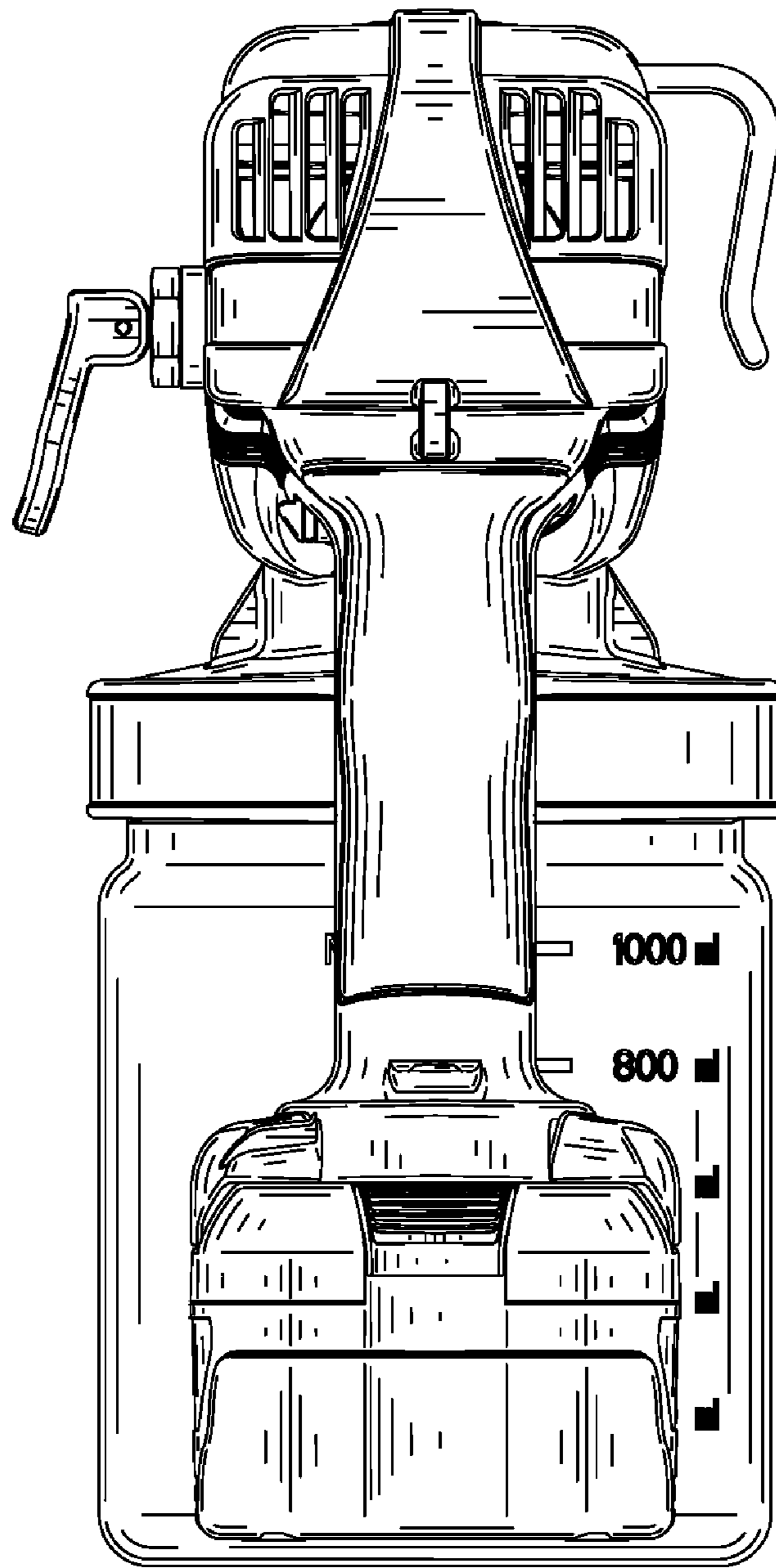


FIG. 5

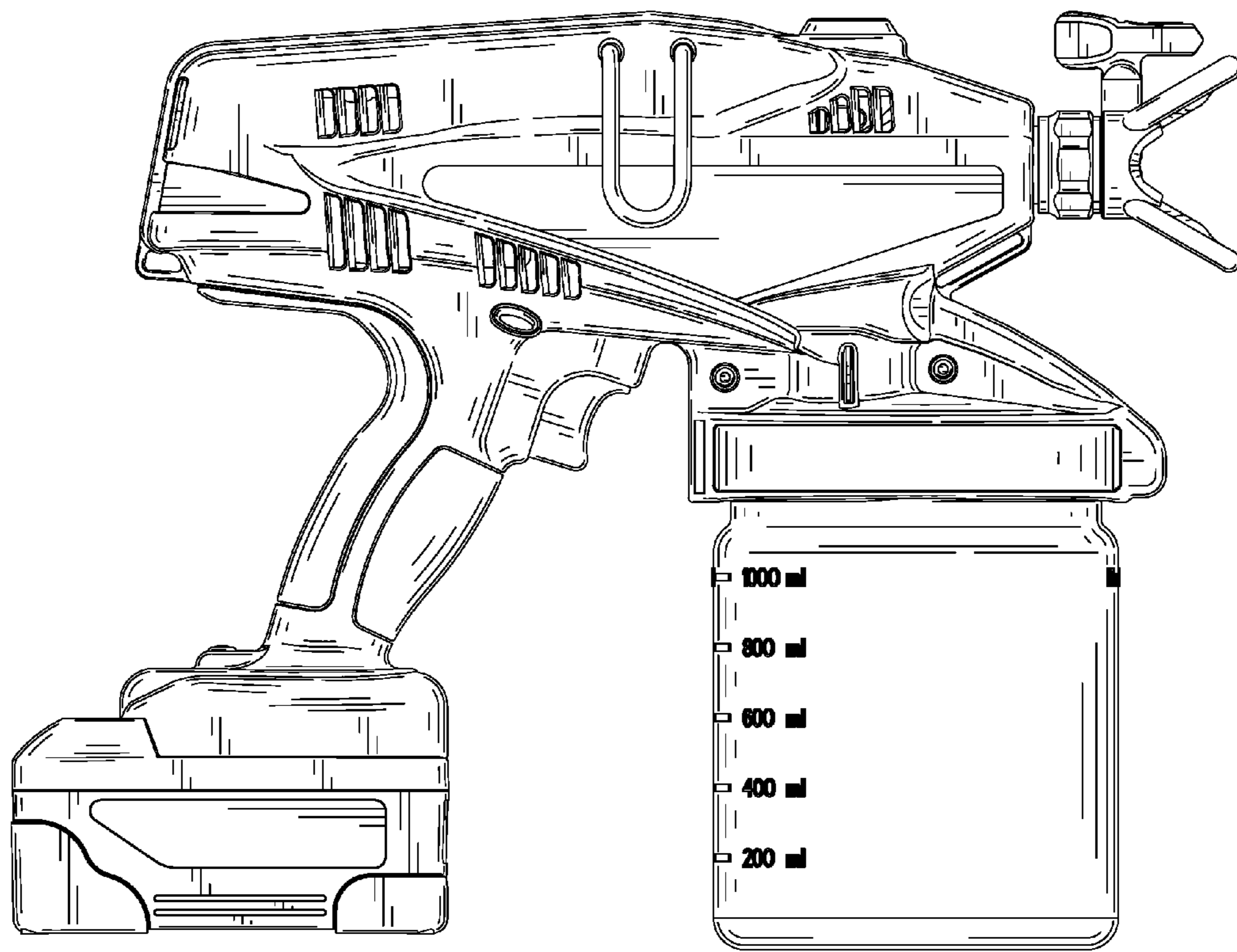


FIG. 6

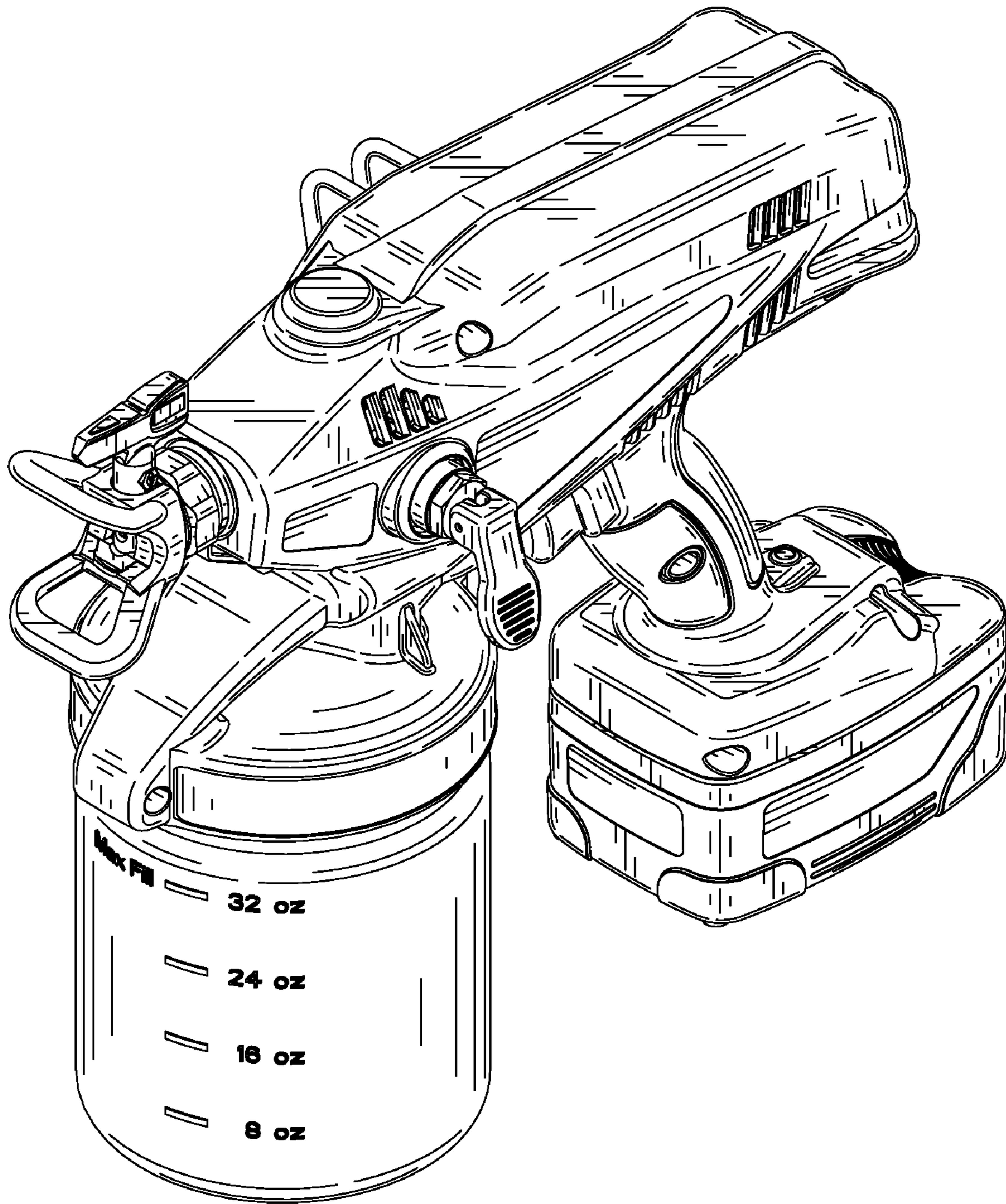


FIG. 7

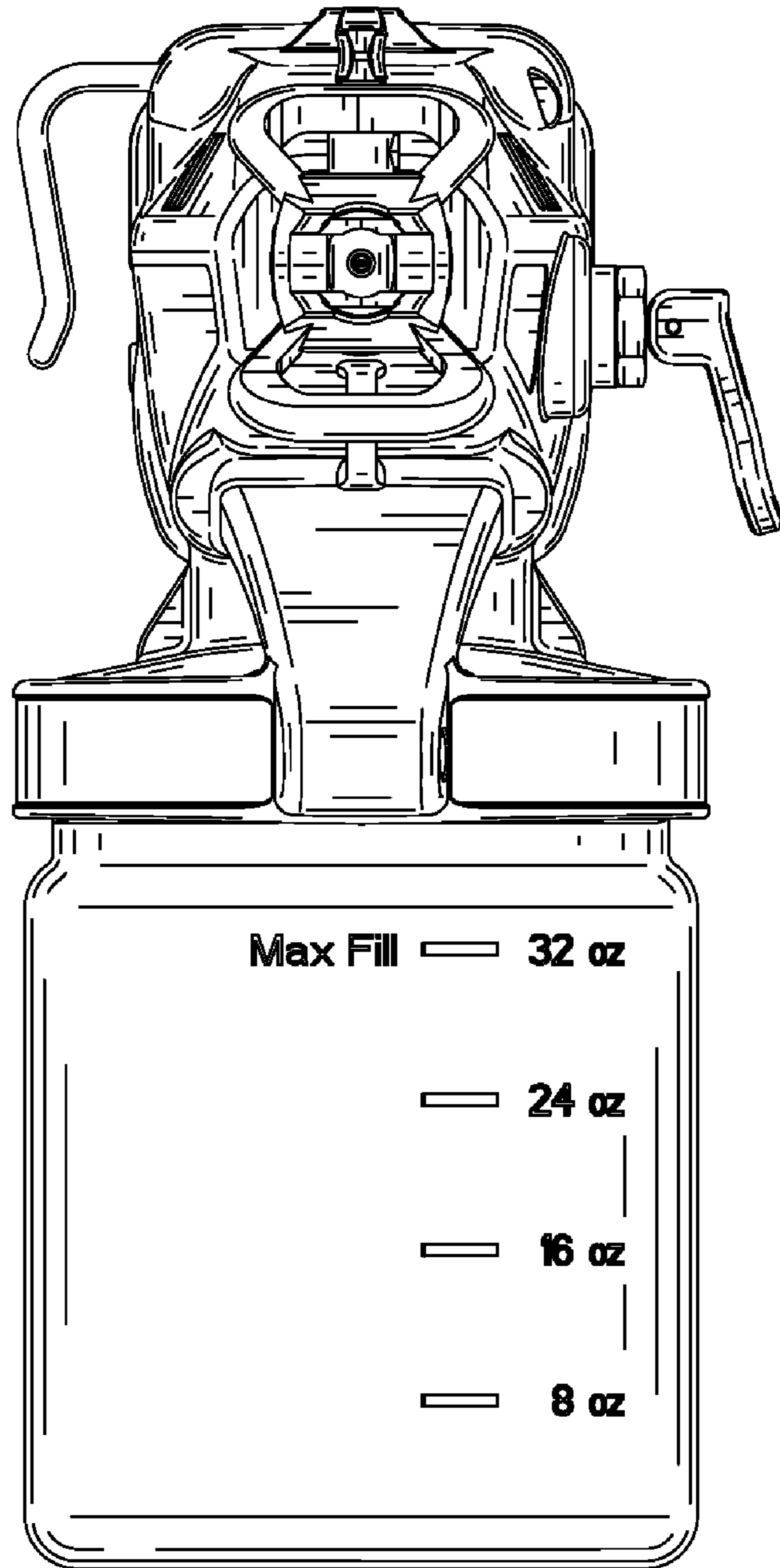


FIG. 8

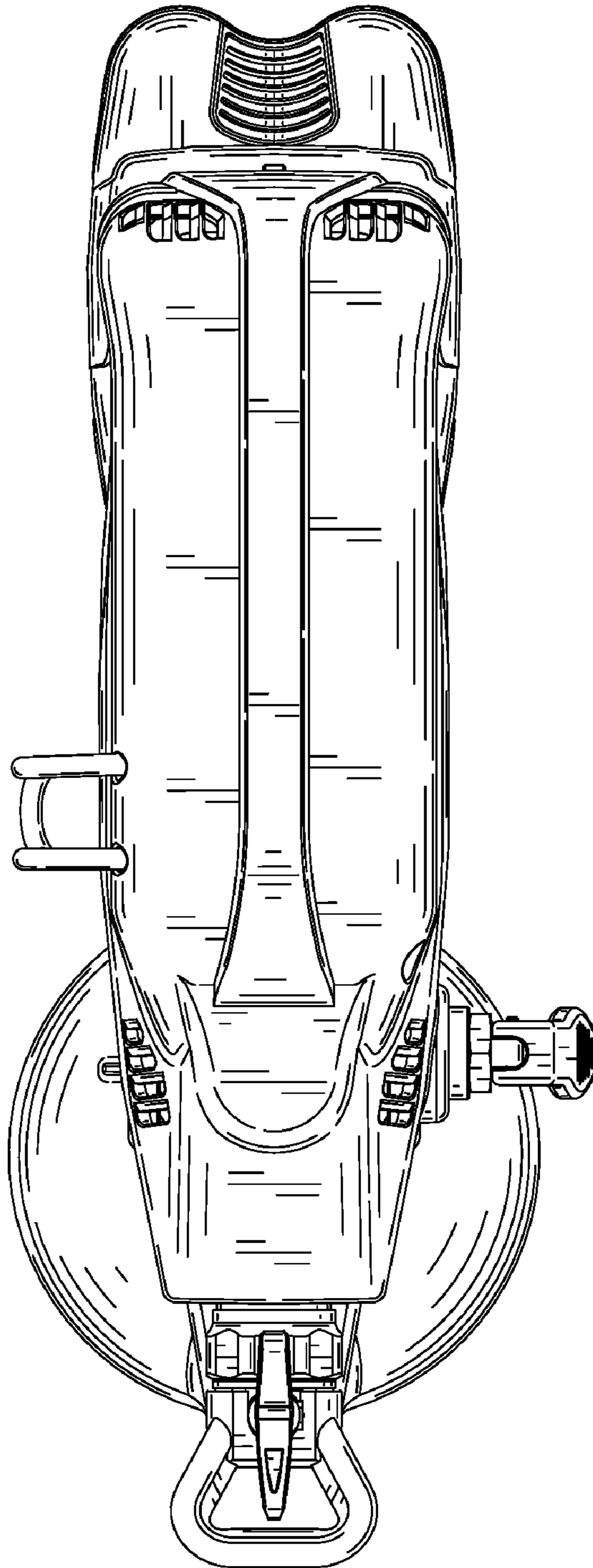


FIG. 9

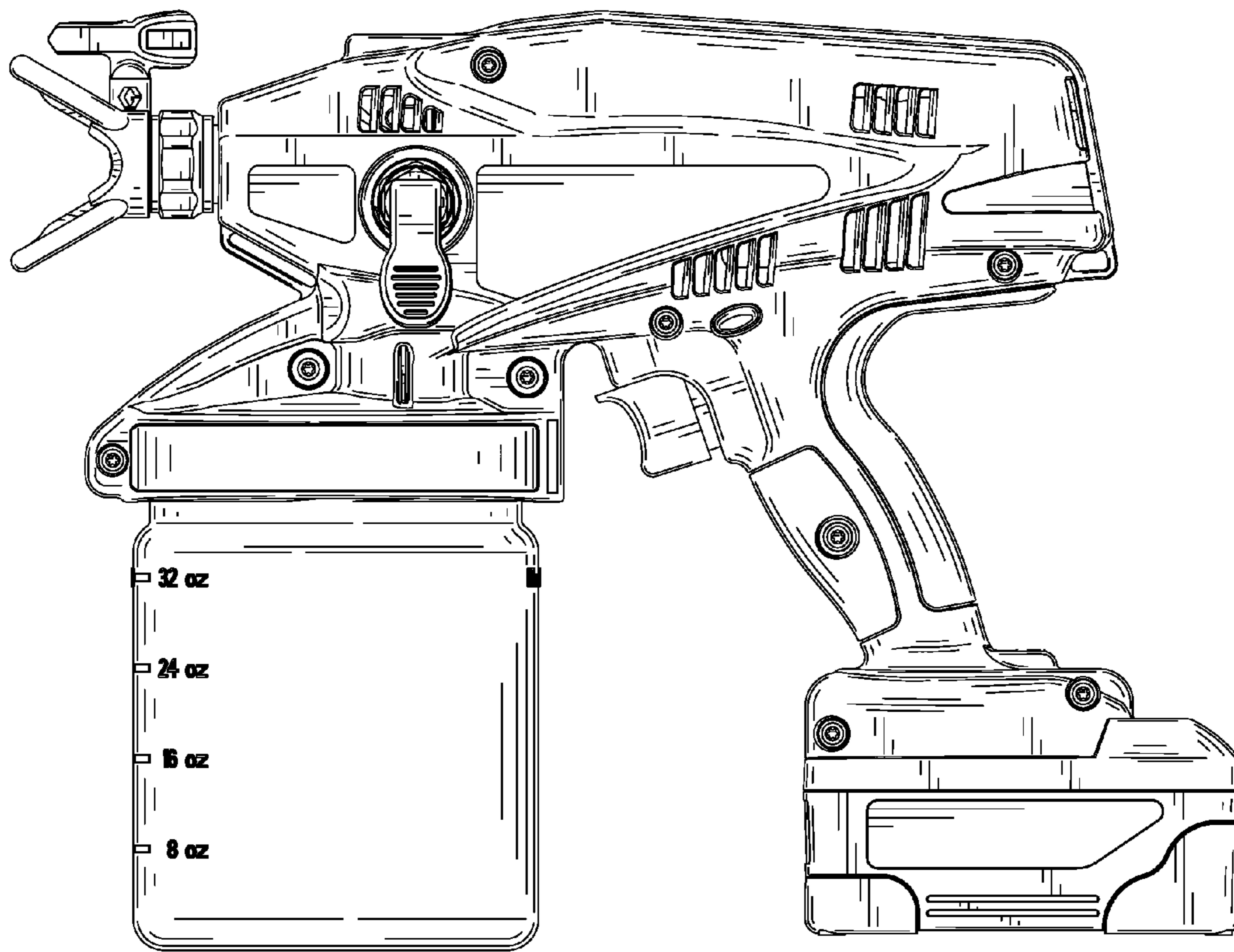


FIG. 10

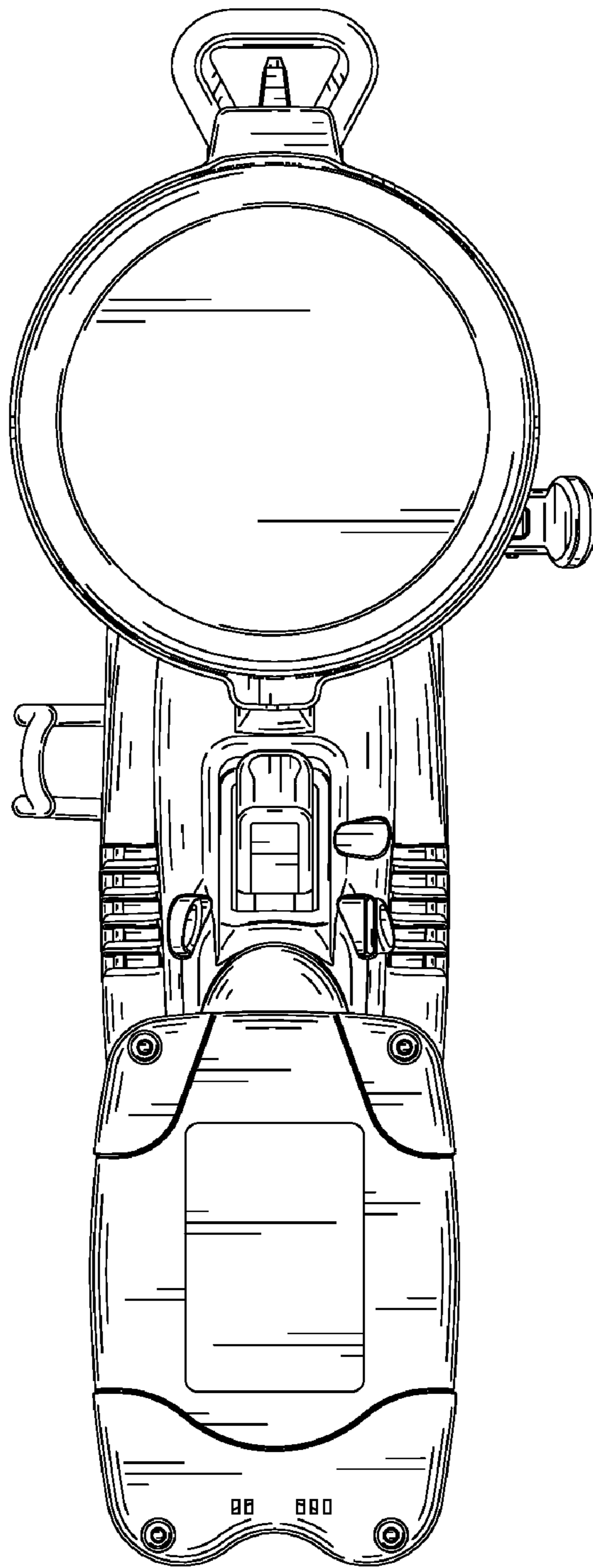


FIG. 11

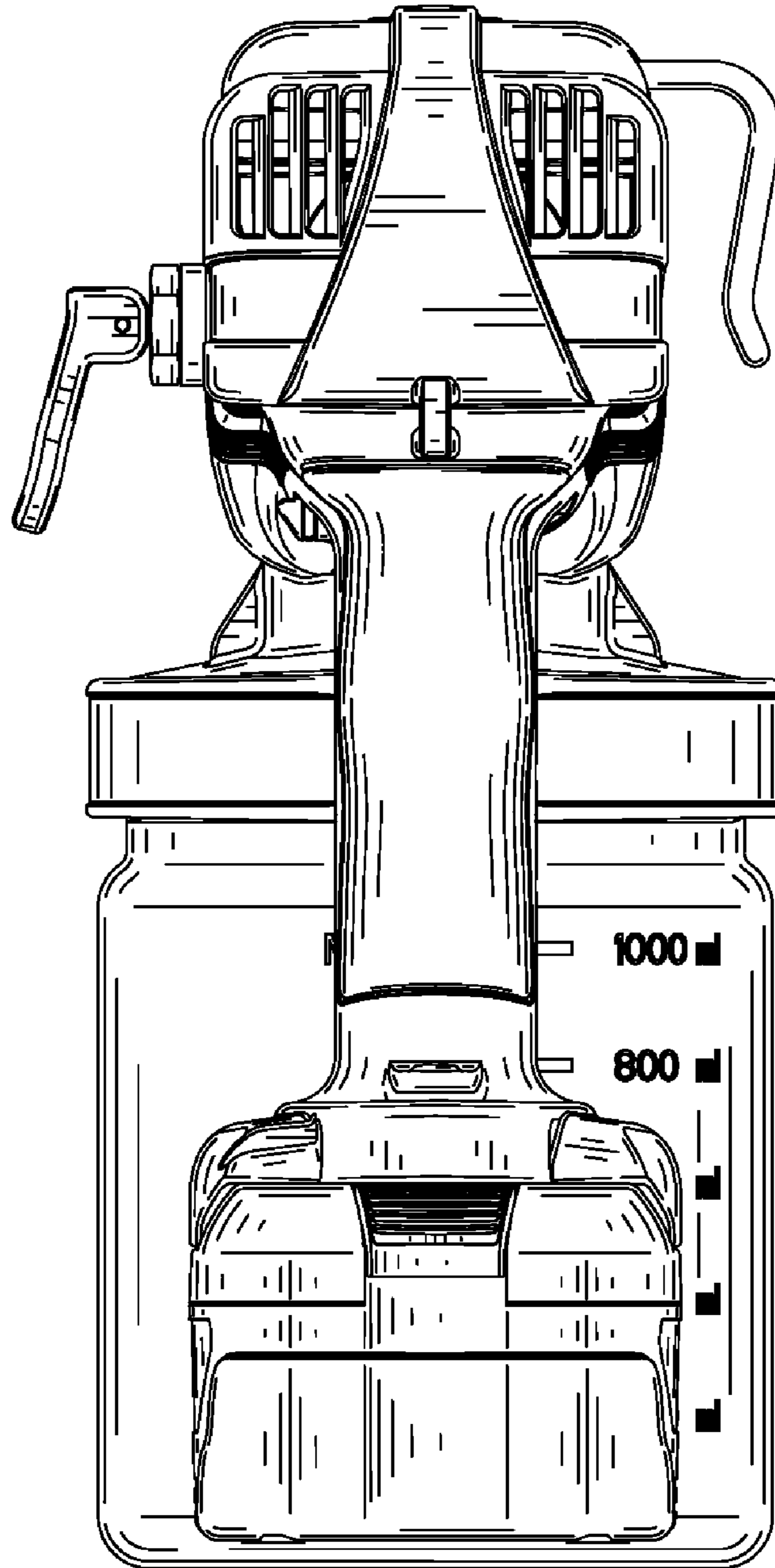


FIG. 12

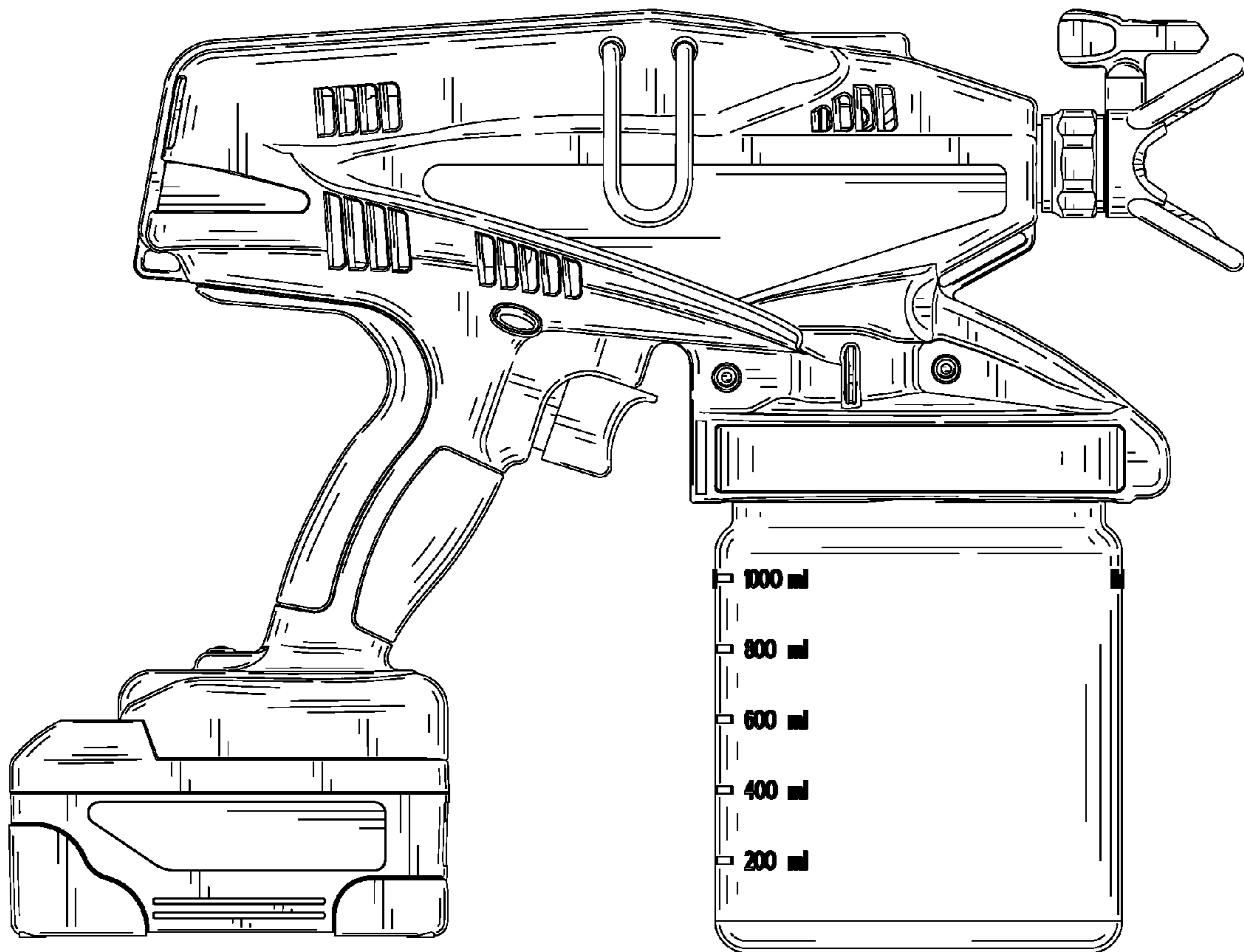


FIG. 13

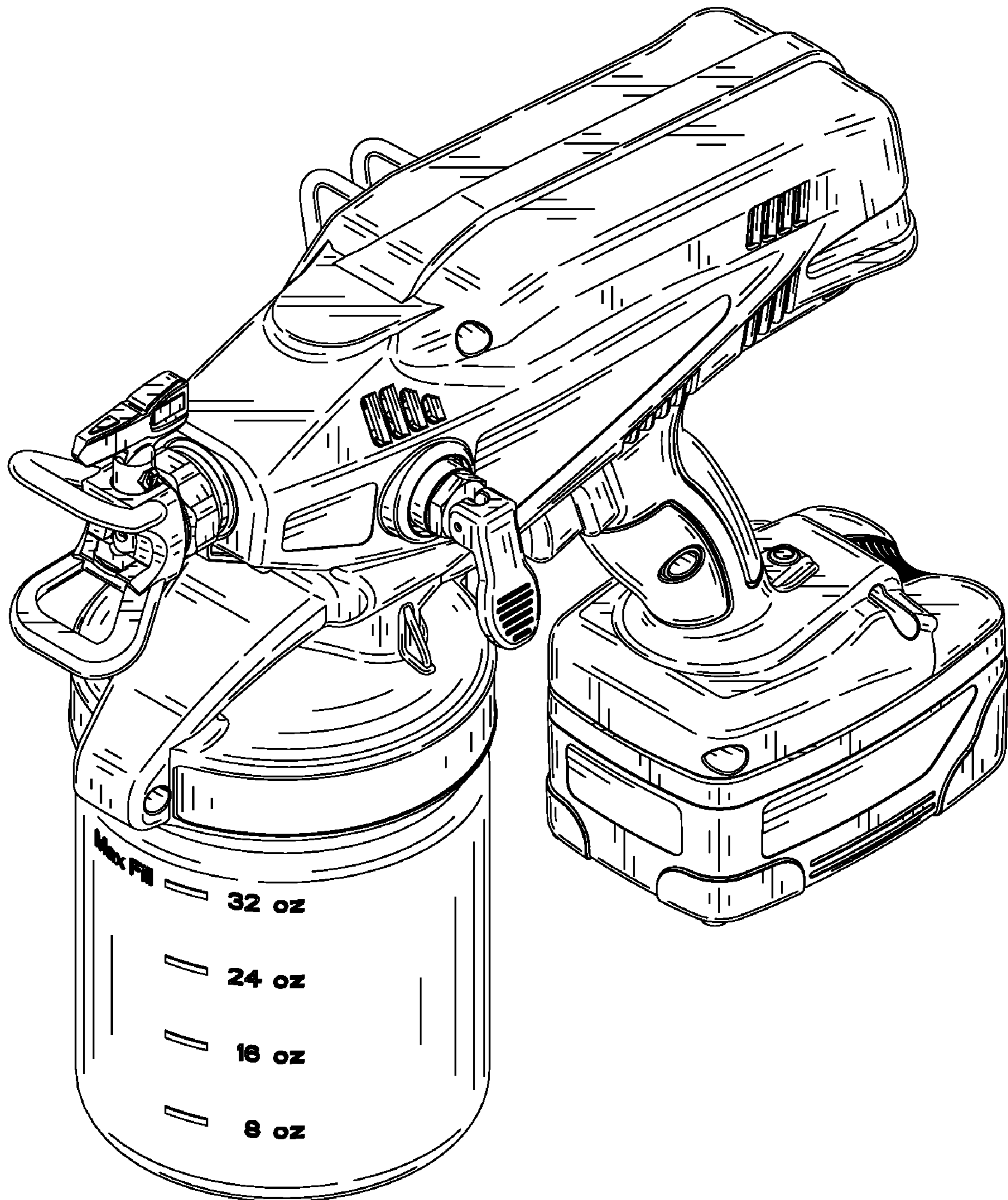


FIG. 14