

US00D630707S

(12) **United States Design Patent**
Strabo et al.

(10) **Patent No.:** **US D630,707 S**
(45) **Date of Patent:** **** Jan. 11, 2011**

(54) **WATER DISTRIBUTION APPARATUS**

(57) **CLAIM**

(76) Inventors: **David Strabo**, 1 Marion Ct., Freehold, NJ (US) 07728; **Tim Nealon**, 131 Dewey St., Bridgeport, CT (US) 06605

The ornamental design for a water distribution apparatus, as shown and described.

(**) Term: **14 Years**

DESCRIPTION

(21) Appl. No.: **29/355,909**

FIG. 1 depicts a perspective view of a water distribution apparatus, showing the novel design;

(22) Filed: **Feb. 17, 2010**

FIG. 2 depicts a front view of a water distribution apparatus, showing the novel design;

(51) **LOC (9) Cl.** **23-01**

FIG. 3 depicts a rear view of a water distribution apparatus, showing the novel design;

(52) **U.S. Cl.** **D23/214; D8/1**

FIG. 4 depicts a side view of a water distribution apparatus, showing the novel design;

(58) **Field of Classification Search** D23/213, D23/214, 217; D8/1, 2; 239/200; 47/82-83
See application file for complete search history.

FIG. 5 depicts an opposing side view of a water distribution apparatus, showing the novel design;

(56) **References Cited**

U.S. PATENT DOCUMENTS

D339,189 S * 9/1993 Nilsson D23/213
6,615,542 B2 * 9/2003 Ware 47/83
7,043,877 B1 5/2006 Jensen

FIG. 6 depicts a top view of a water distribution apparatus, showing the novel design;

FIG. 7 depicts a bottom view of a water distribution apparatus, showing the novel design;

FIG. 8 depicts a perspective view of a second embodiment of a water distribution apparatus showing the novel design;

FIG. 9 is a front view thereof;

FIG. 10 is a rear view thereof;

FIG. 11 is a side view thereof; and,

FIG. 12 is an opposing side view thereof.

* cited by examiner

Primary Examiner—Robin V Webster

(74) *Attorney, Agent, or Firm*—Maldjian & Fallon LLC; John P. Maldjian

1 Claim, 7 Drawing Sheets

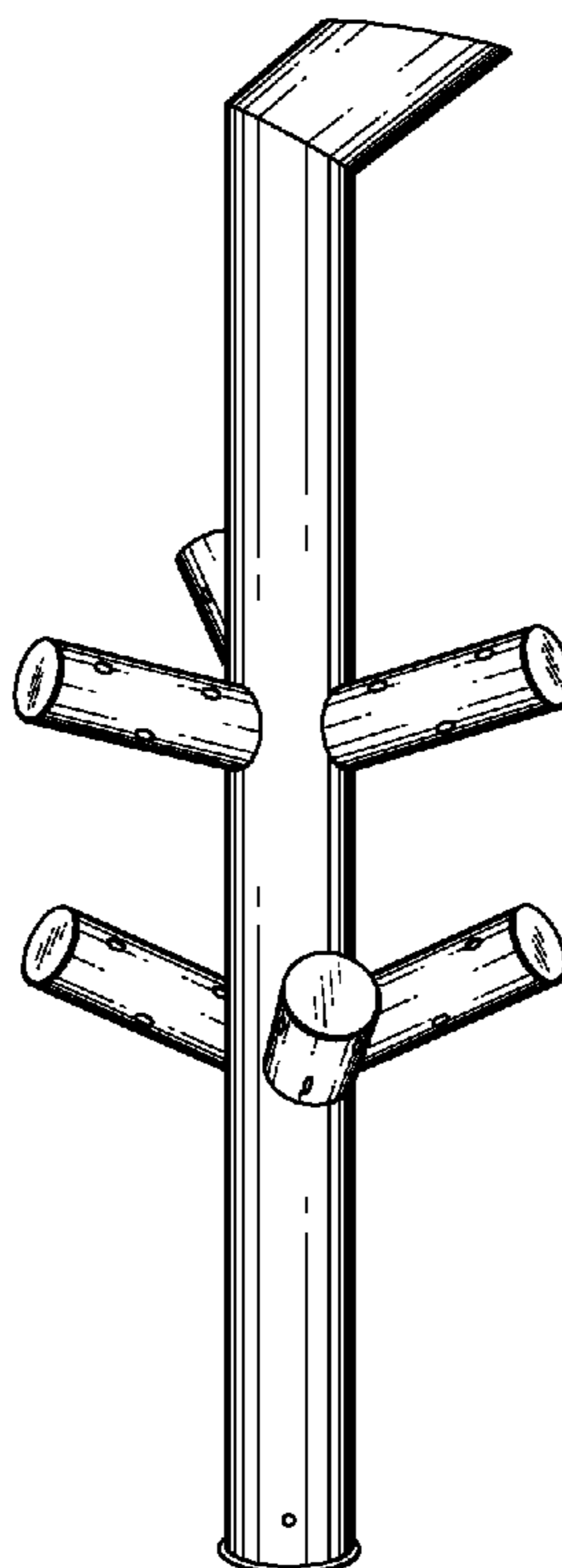


FIG. 1

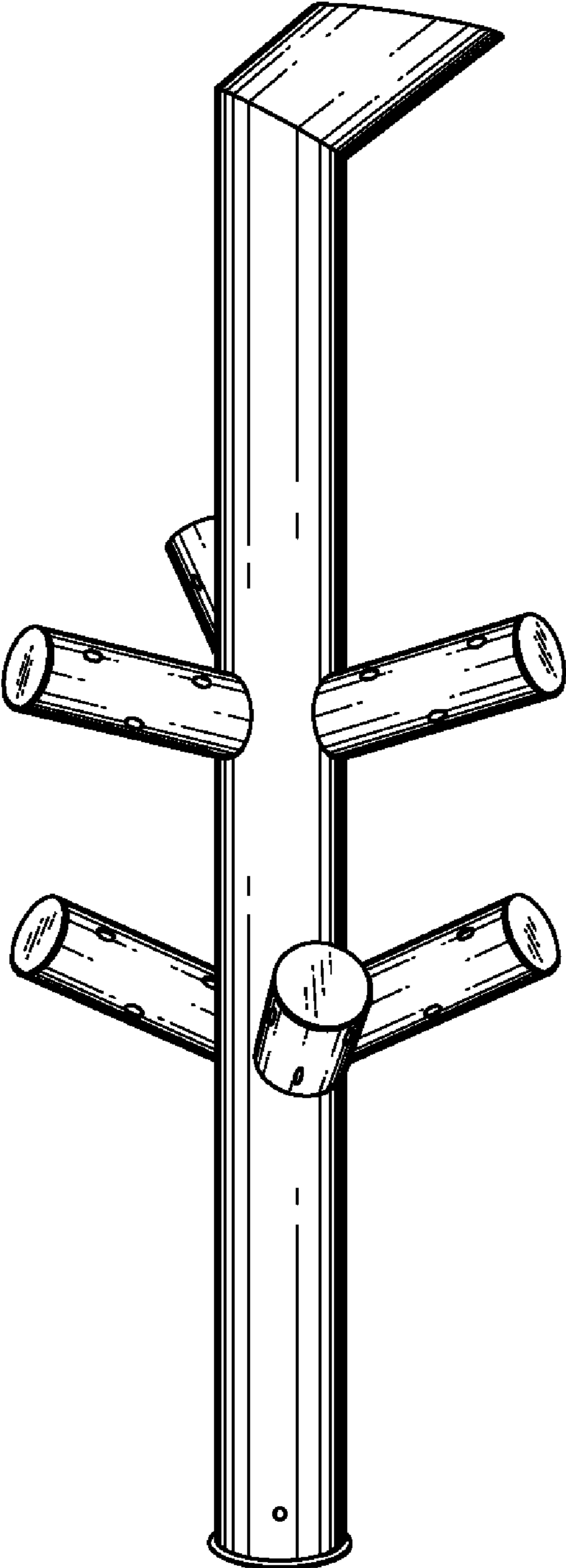


FIG. 3

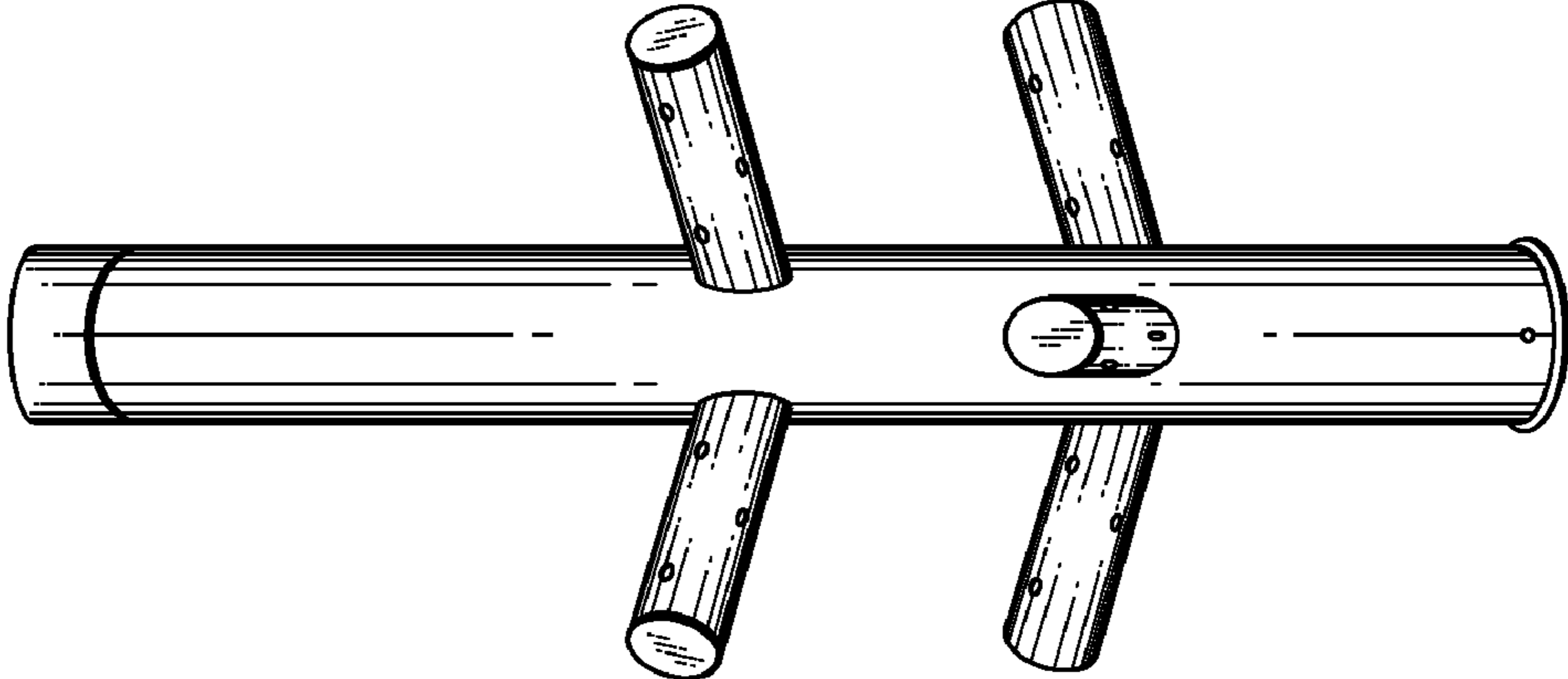


FIG. 2

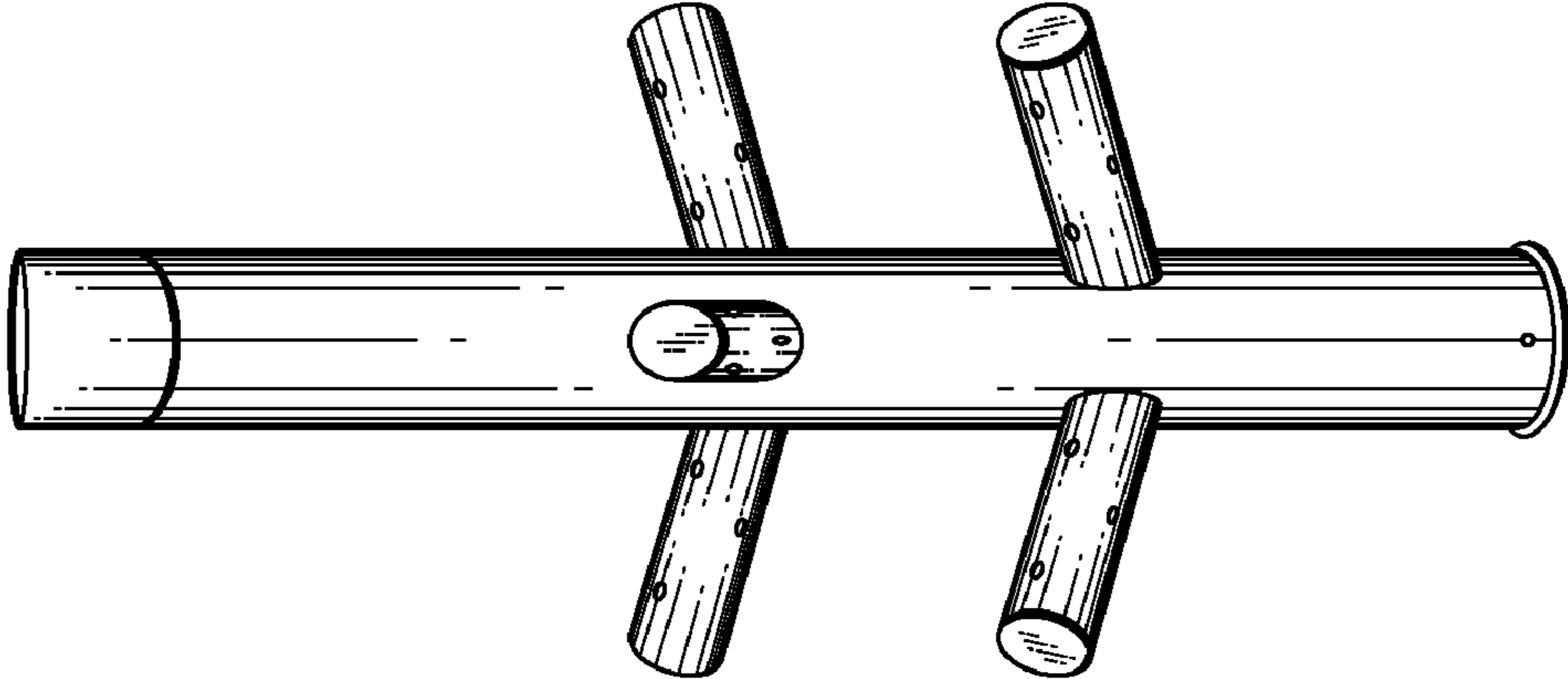


FIG. 5

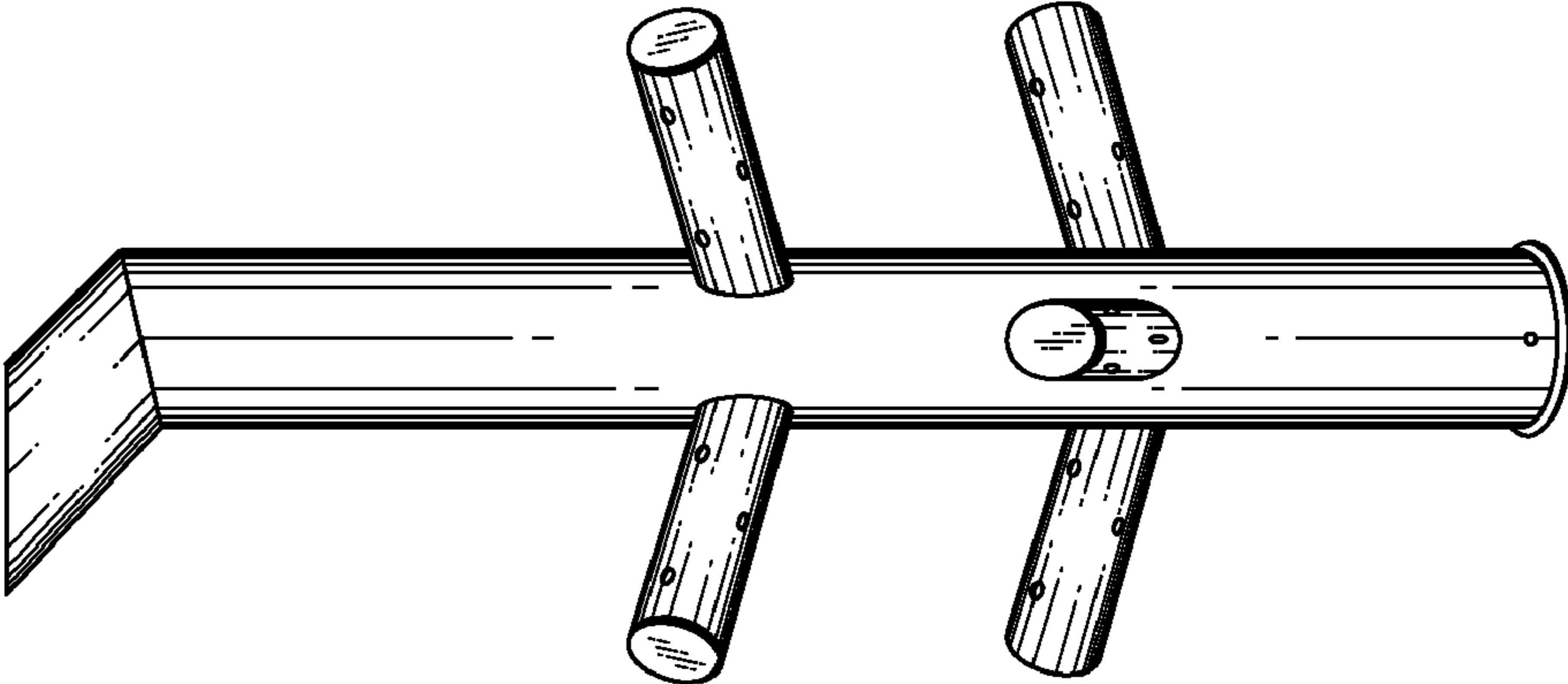


FIG. 4

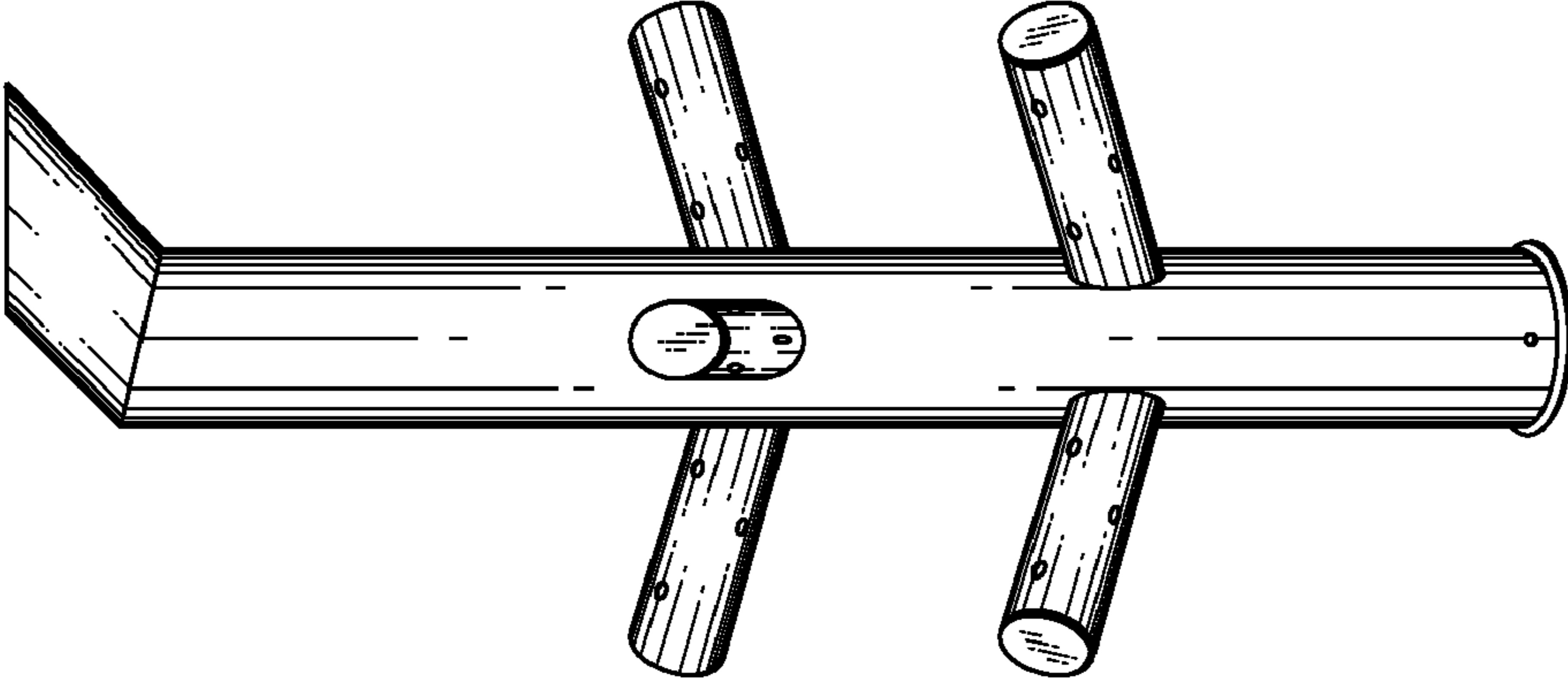


FIG. 6

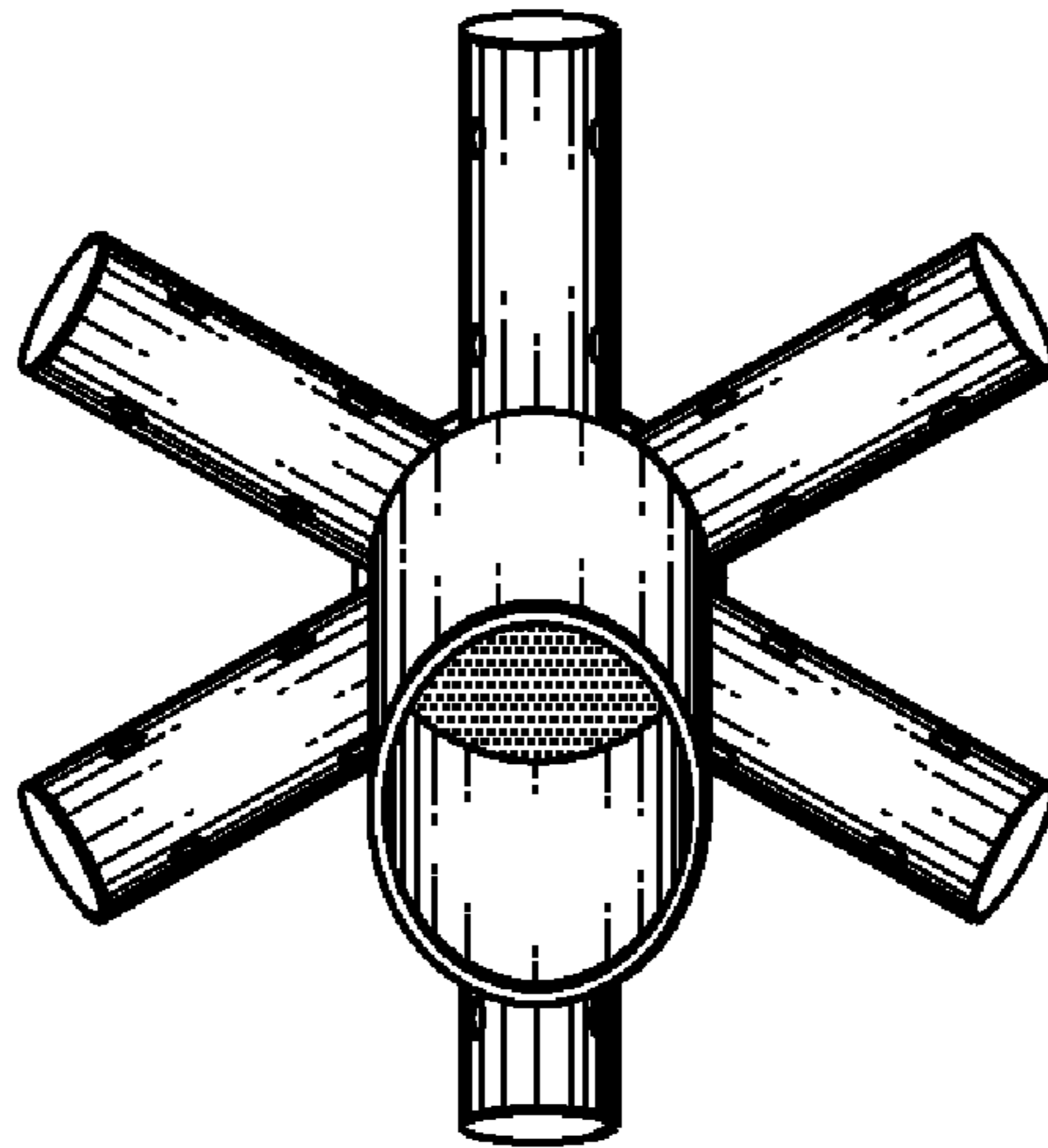


FIG. 7

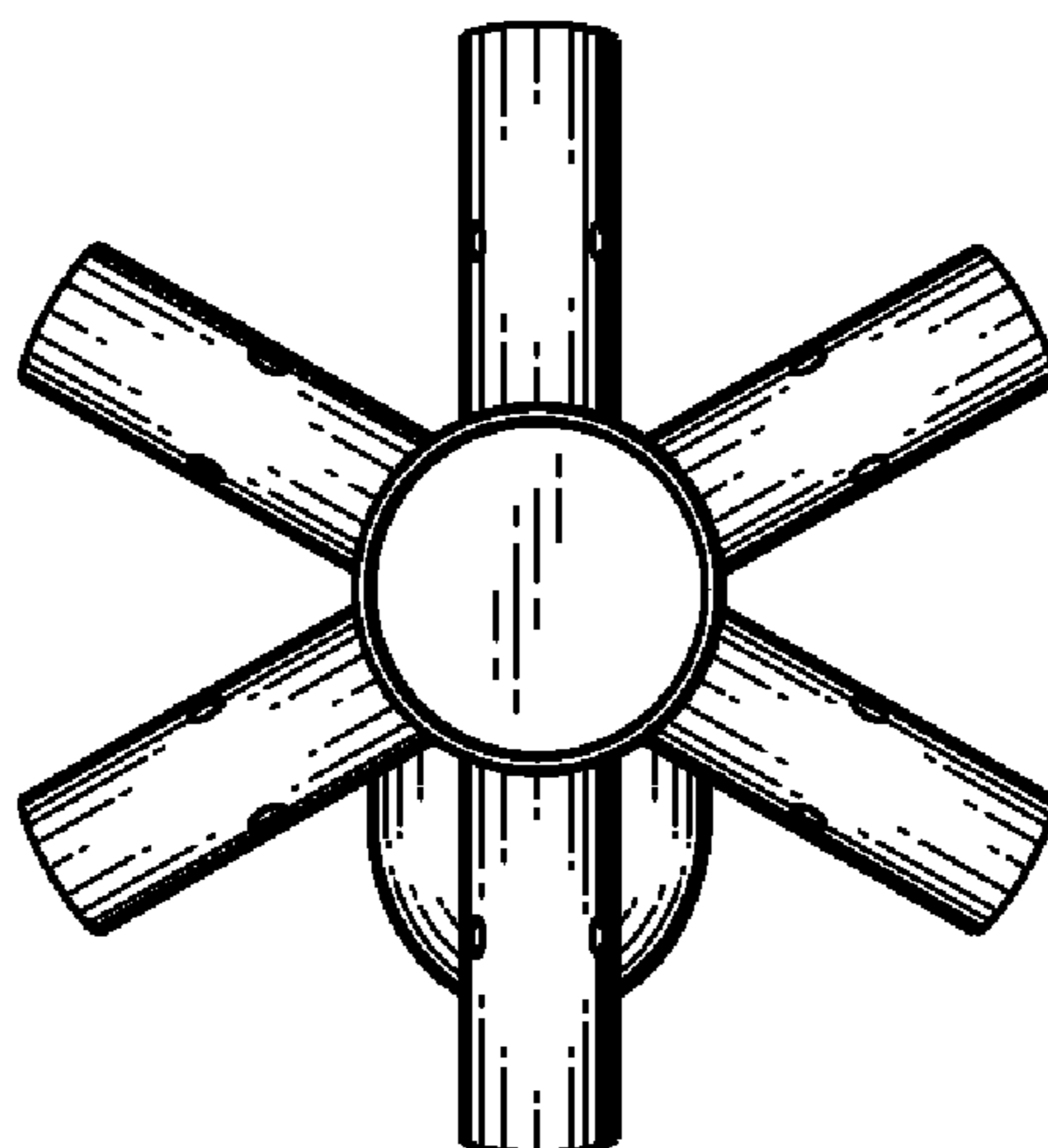


FIG. 8

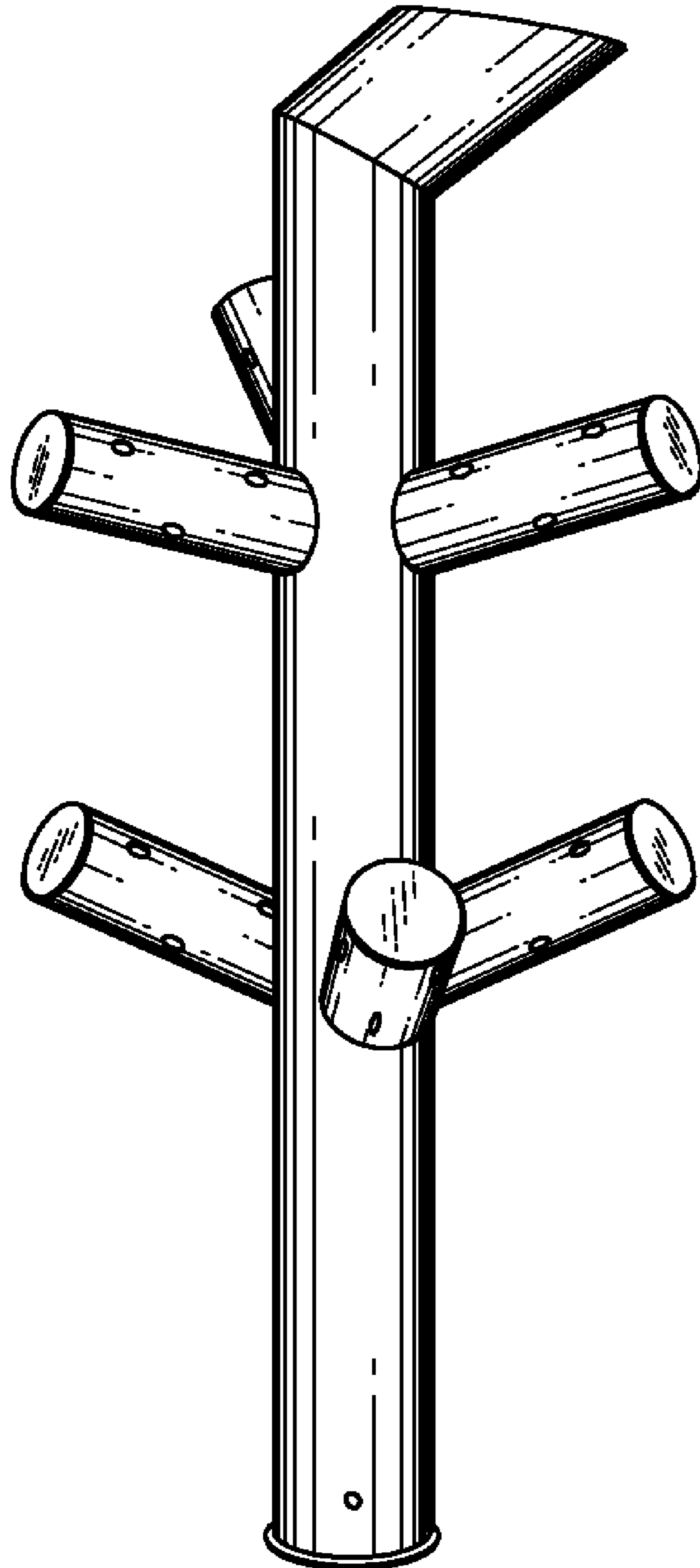


FIG. 10

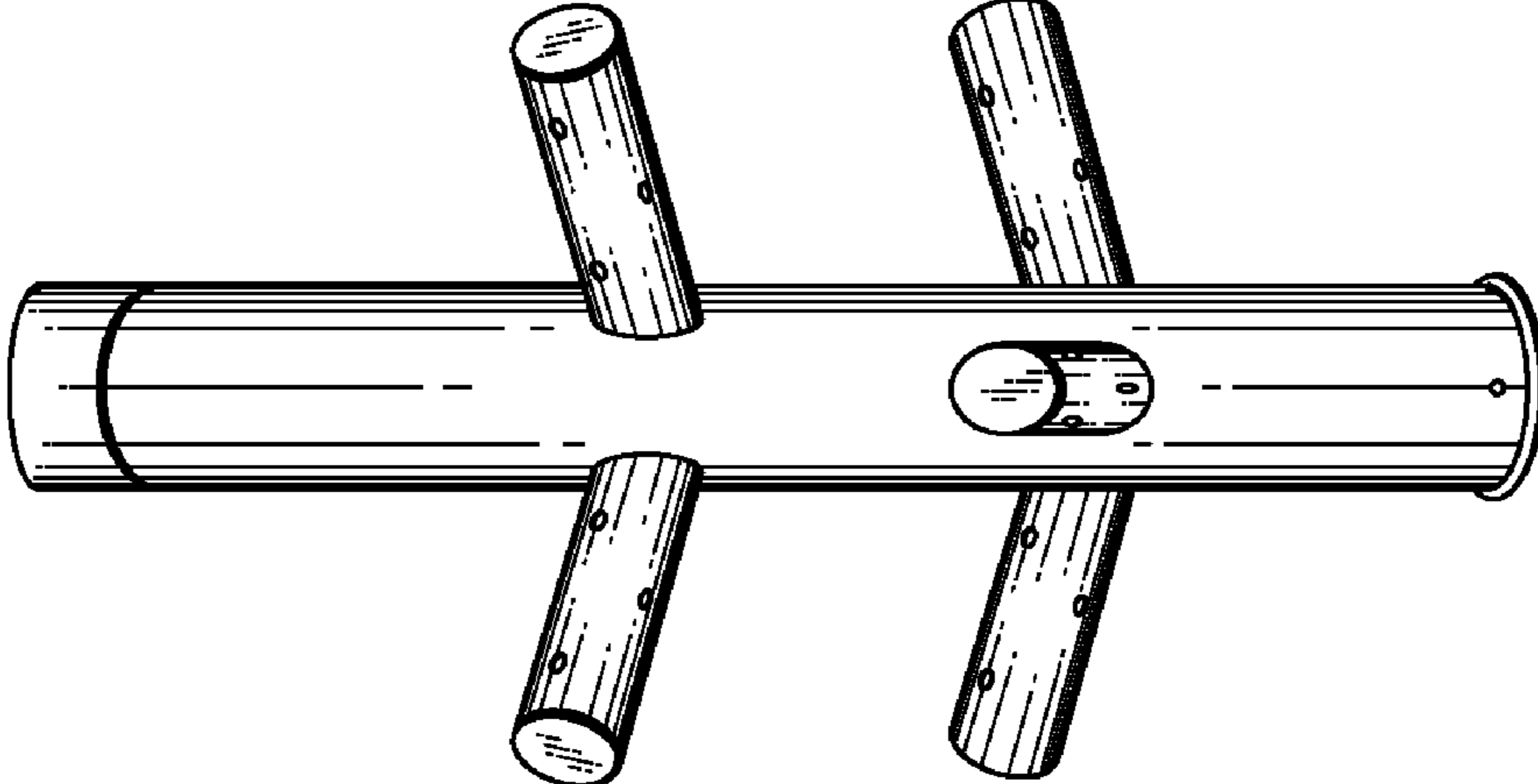


FIG. 9

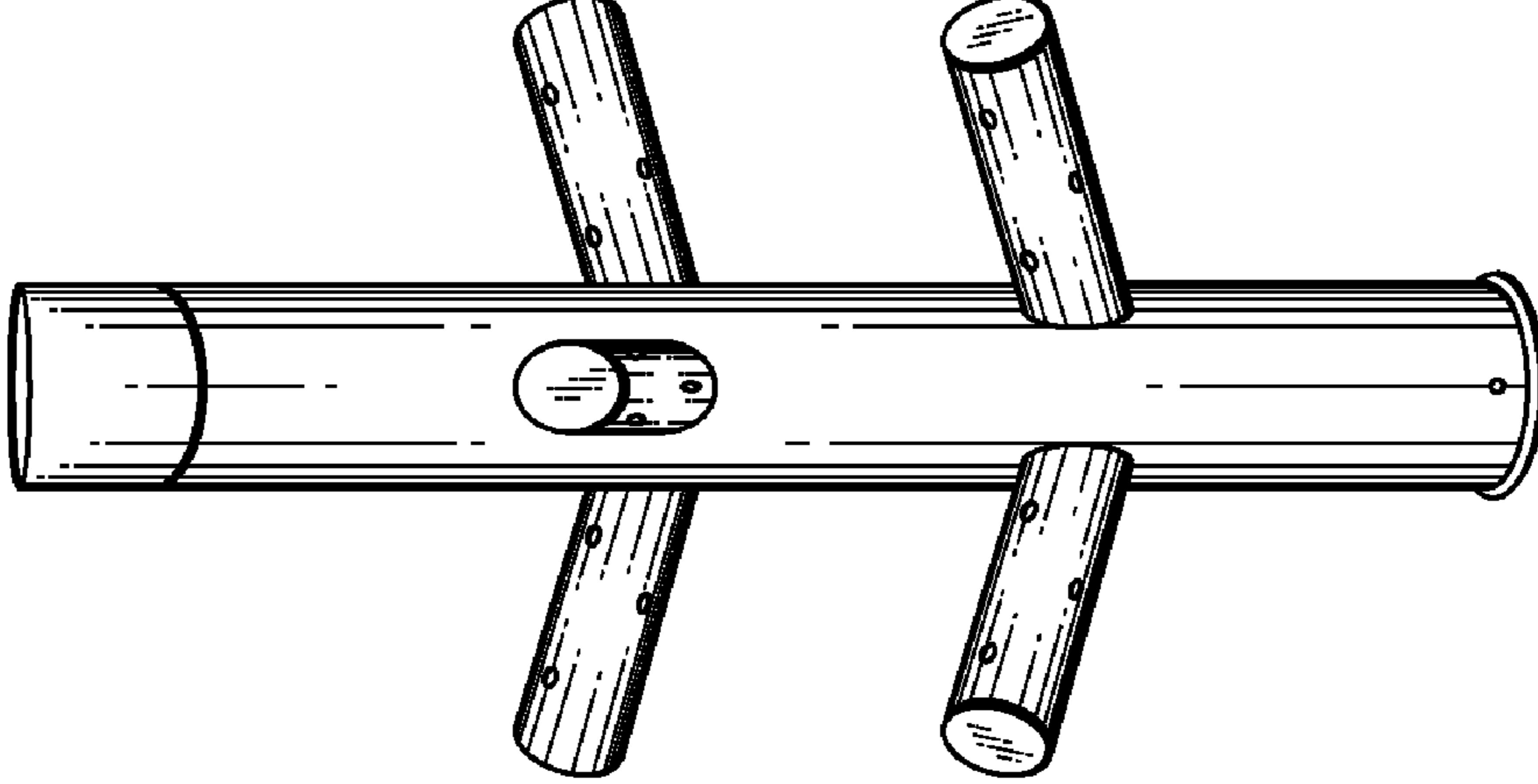


FIG. 12

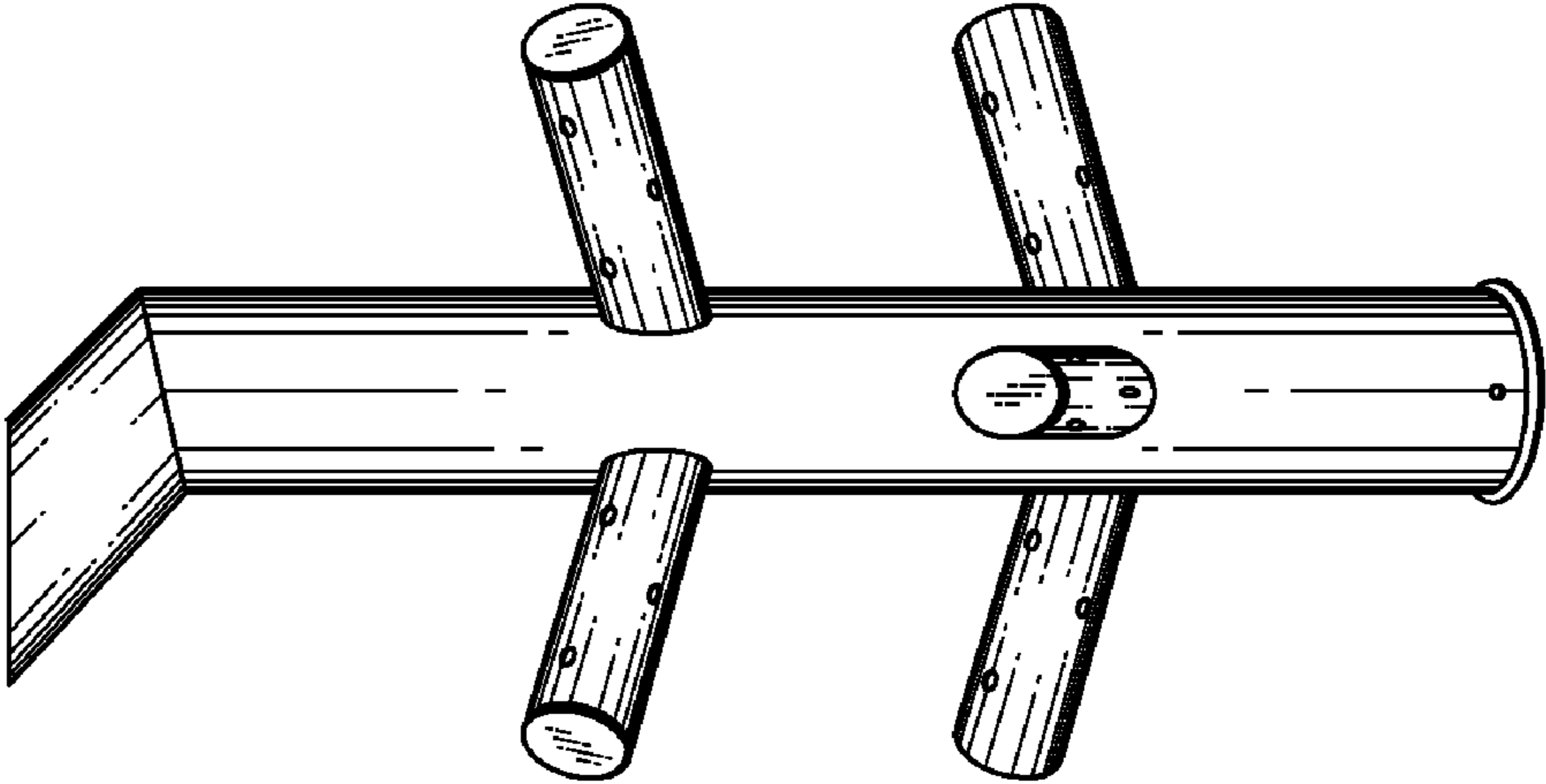


FIG. 11

