



US00D630705S

(12) **United States Design Patent**
Rossano et al.

(10) **Patent No.:** **US D630,705 S**
(45) **Date of Patent:** **** *Jan. 11, 2011**

(54) **POOL FLOATER**

(75) Inventors: **Martin Rossano**, Montreal (CA); **Eric Quiron**, Prevost (CA)

(73) Assignee: **CPA Pool Products, Inc.**, Quebec (CA)

(*) Notice: This patent is subject to a terminal disclaimer.

(**) Term: **14 Years**

(21) Appl. No.: **29/354,980**

(22) Filed: **Feb. 1, 2010**

(51) **LOC (9) Cl.** **23-01**

(52) **U.S. Cl.** **D23/208**

(58) **Field of Classification Search** D23/207,
D23/208, 209; 422/264, 265; 210/167.11,
210/198.1, 242.1, 416.2

See application file for complete search history.

(56) **References Cited**

U.S. PATENT DOCUMENTS

3,792,979 A * 2/1974 Clinton 422/265
D309,493 S * 7/1990 Casberg D23/208
D371,824 S * 7/1996 Price et al. D23/208

6,238,553 B1 * 5/2001 Lin 210/94
D451,979 S * 12/2001 VanErdewyk D23/208
D486,881 S * 2/2004 Pecci et al. D23/207
D526,382 S * 8/2006 Thompson D23/208
D559,944 S * 1/2008 Bruneel D23/208

* cited by examiner

Primary Examiner—Robin V Webster
(74) *Attorney, Agent, or Firm*—Baker & Rannells, PA

(57) **CLAIM**

The ornamental design for a pool floater, as shown and described.

DESCRIPTION

FIG. 1 is a perspective view of a pool floater, showing our new design;

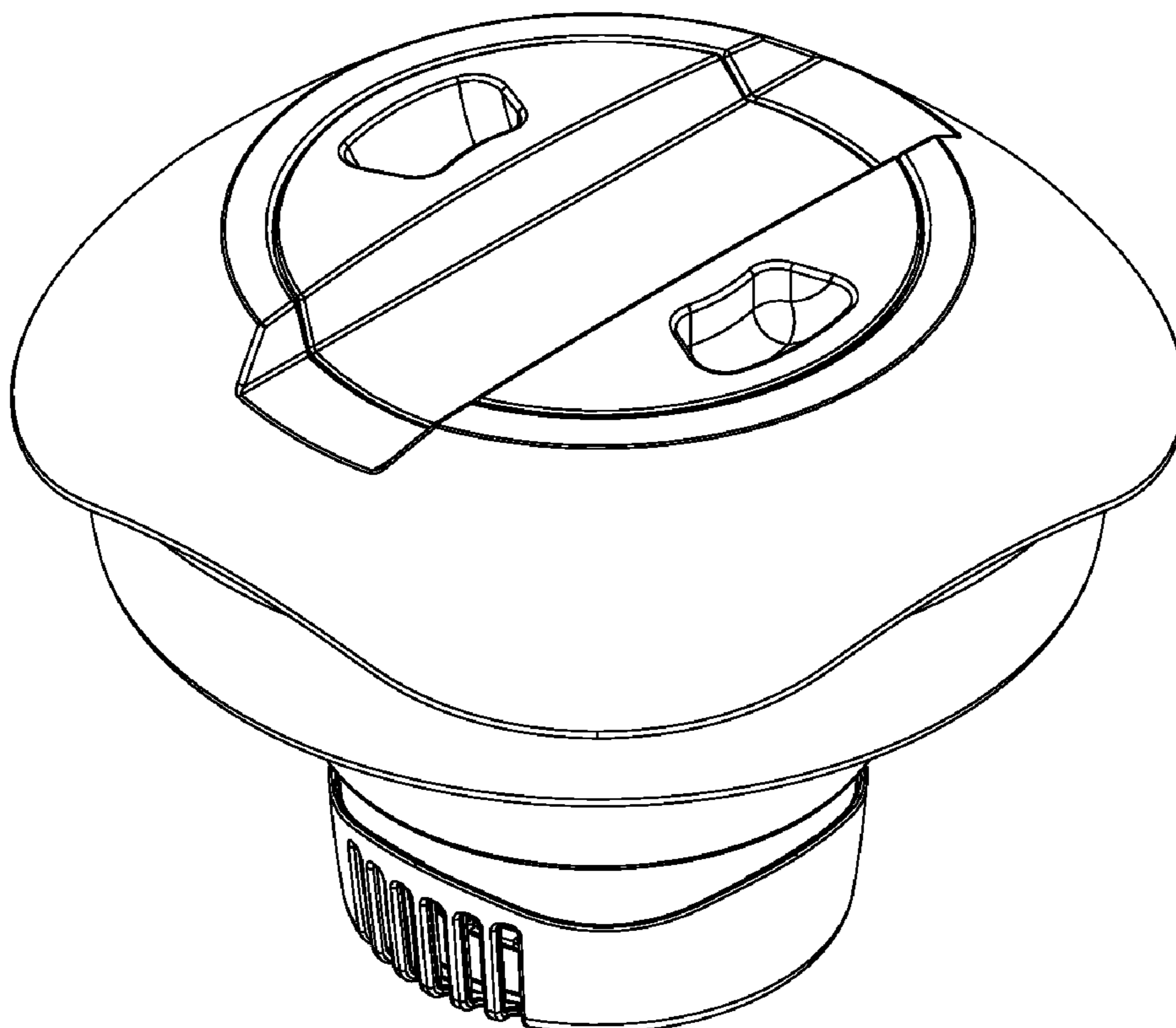
FIG. 2 is a front elevational view of our new design, a rear elevational view being a mirror image thereof;

FIG. 3 is a right side elevational view of our new design, a left side elevational view being a mirror image thereof;

FIG. 4 is a top plan view of our new design; and,

FIG. 5 is a bottom plan view of our new design.

1 Claim, 3 Drawing Sheets



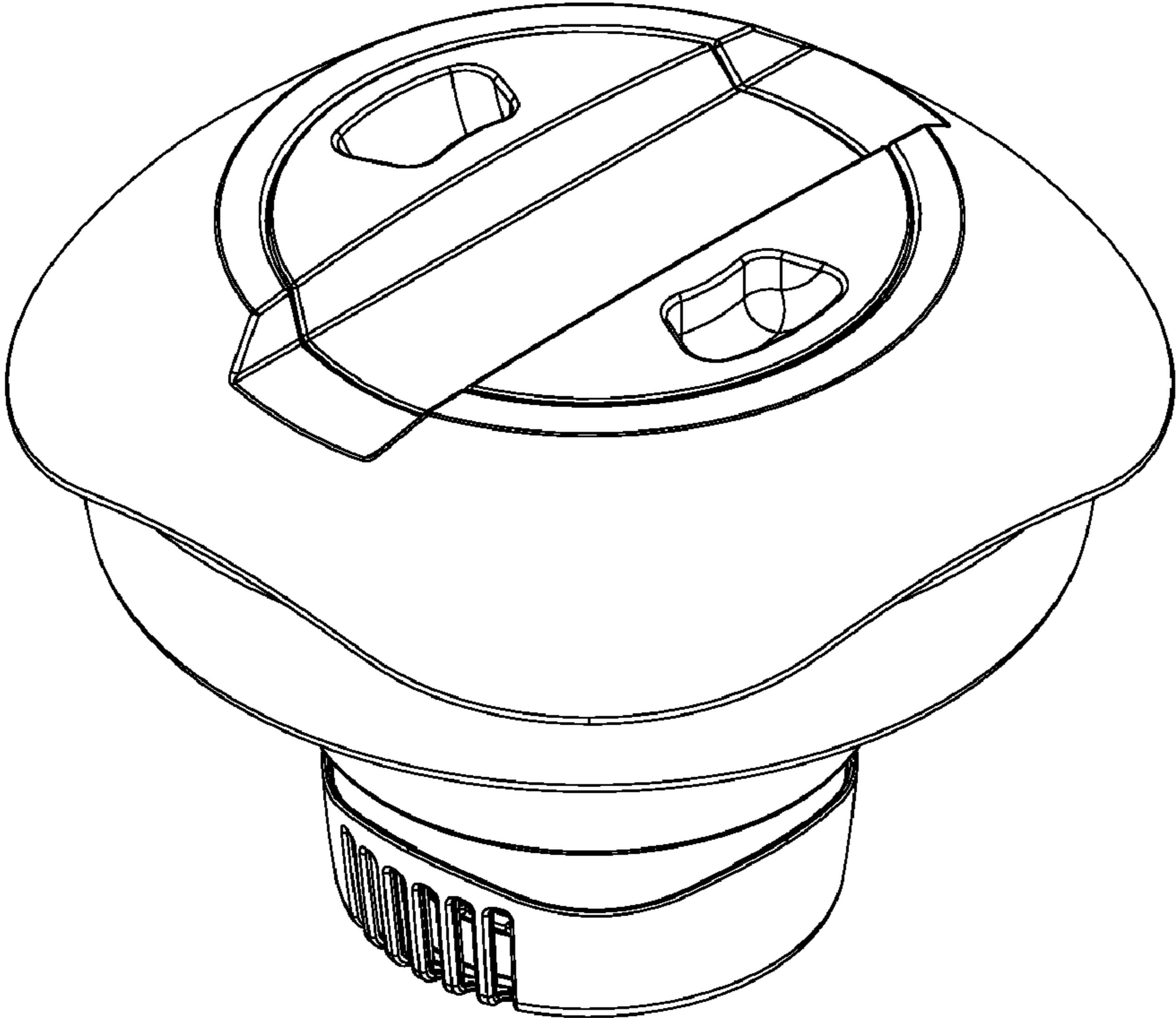


FIG. 1

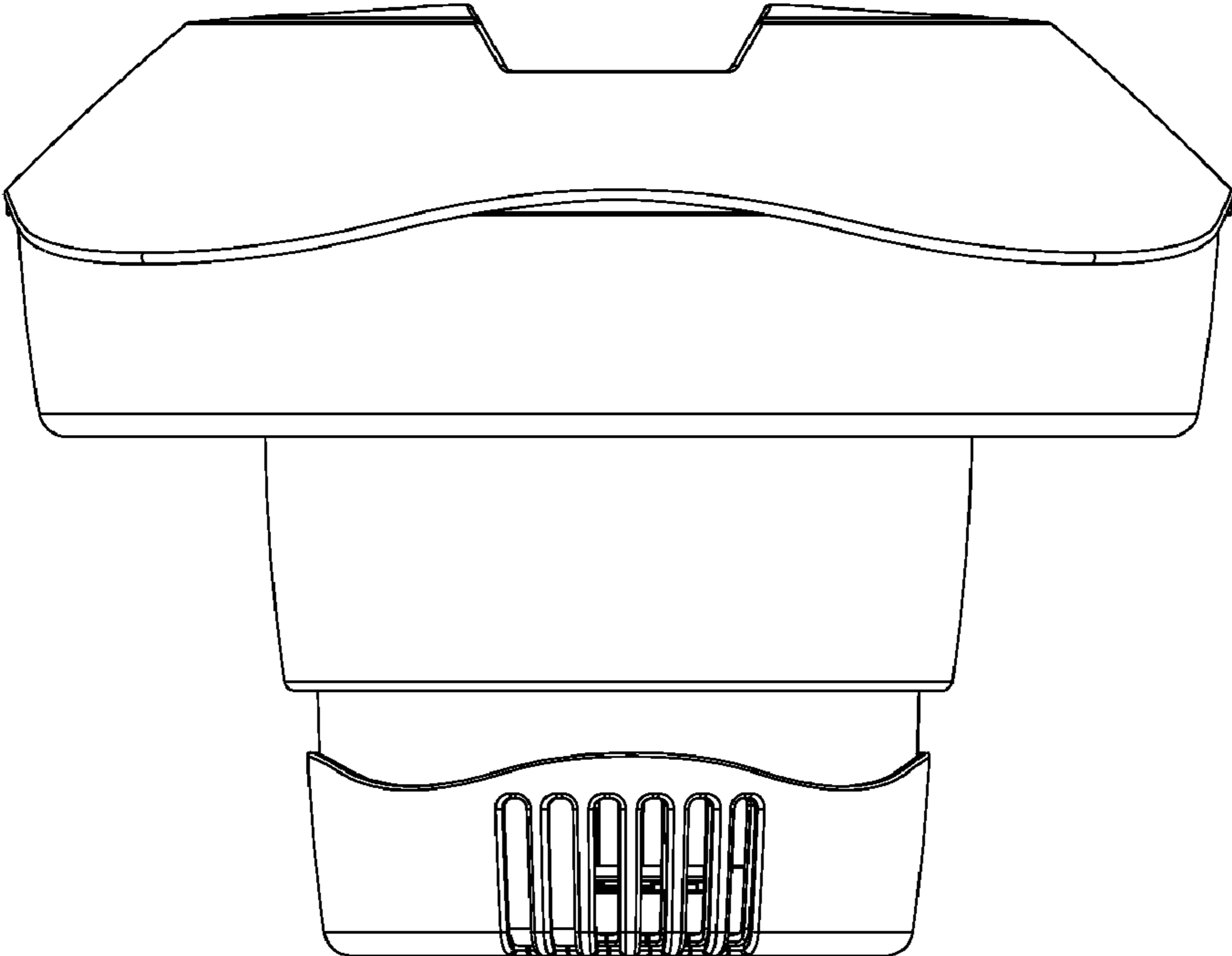


FIG. 2

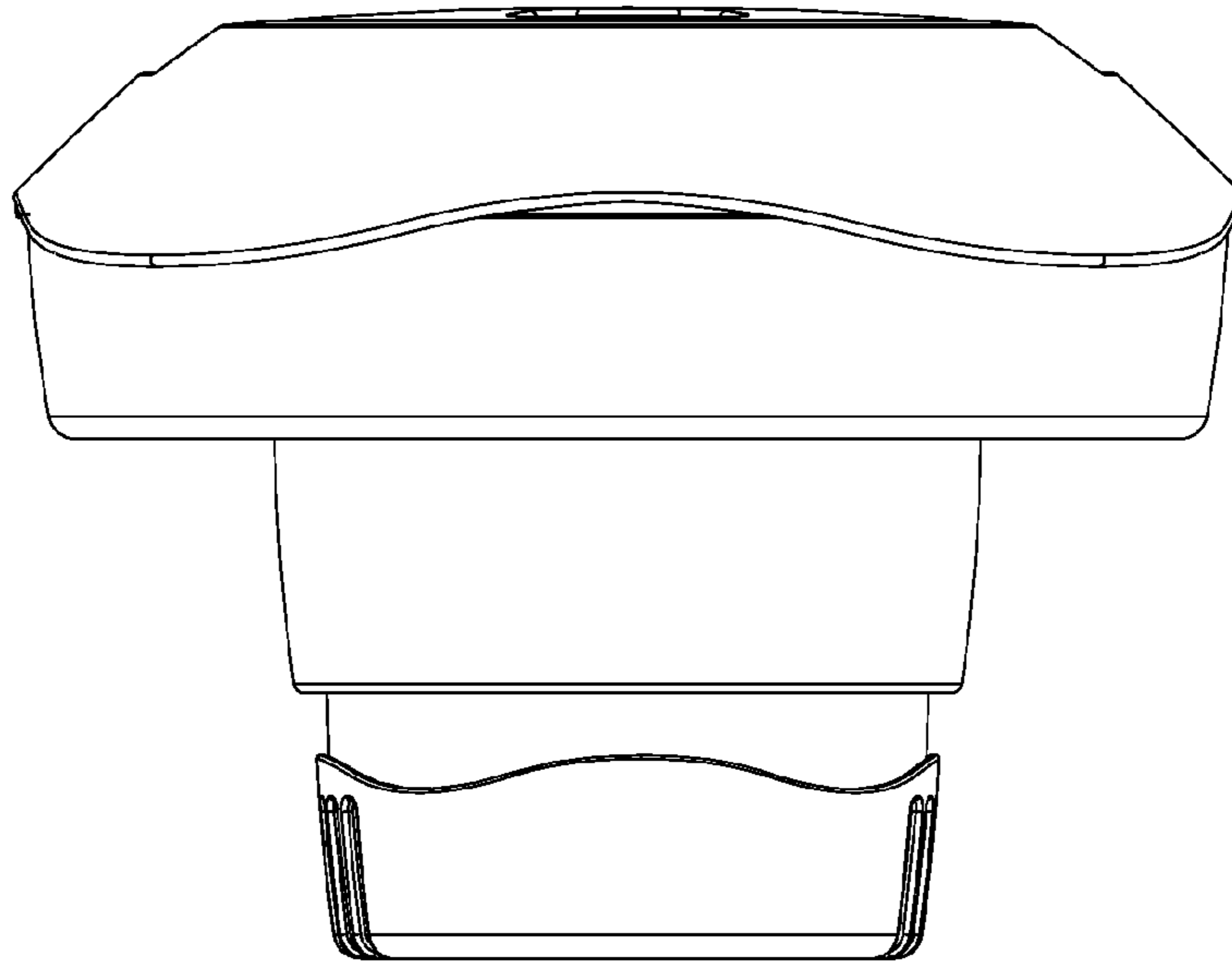


FIG. 3

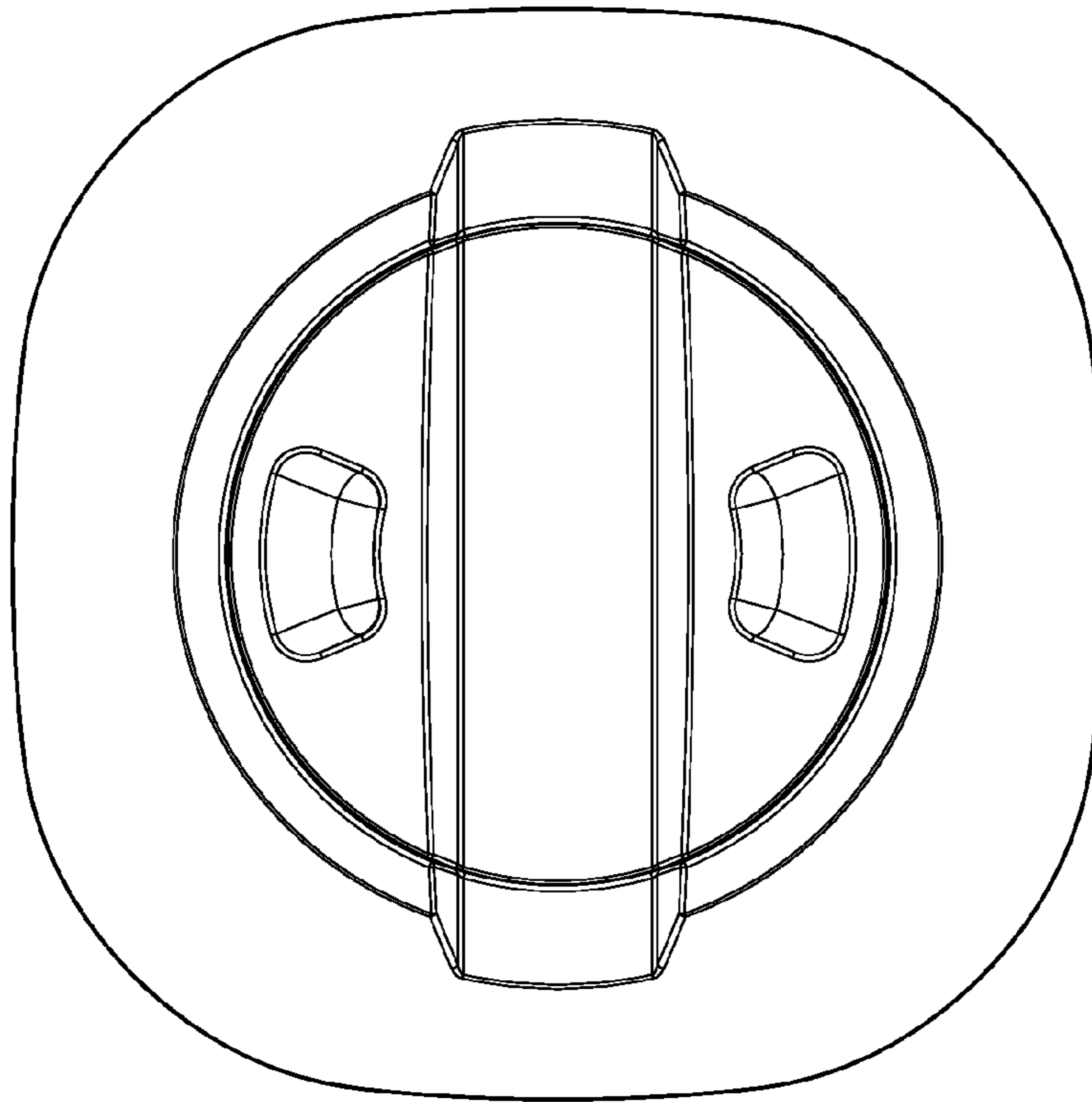


FIG. 4

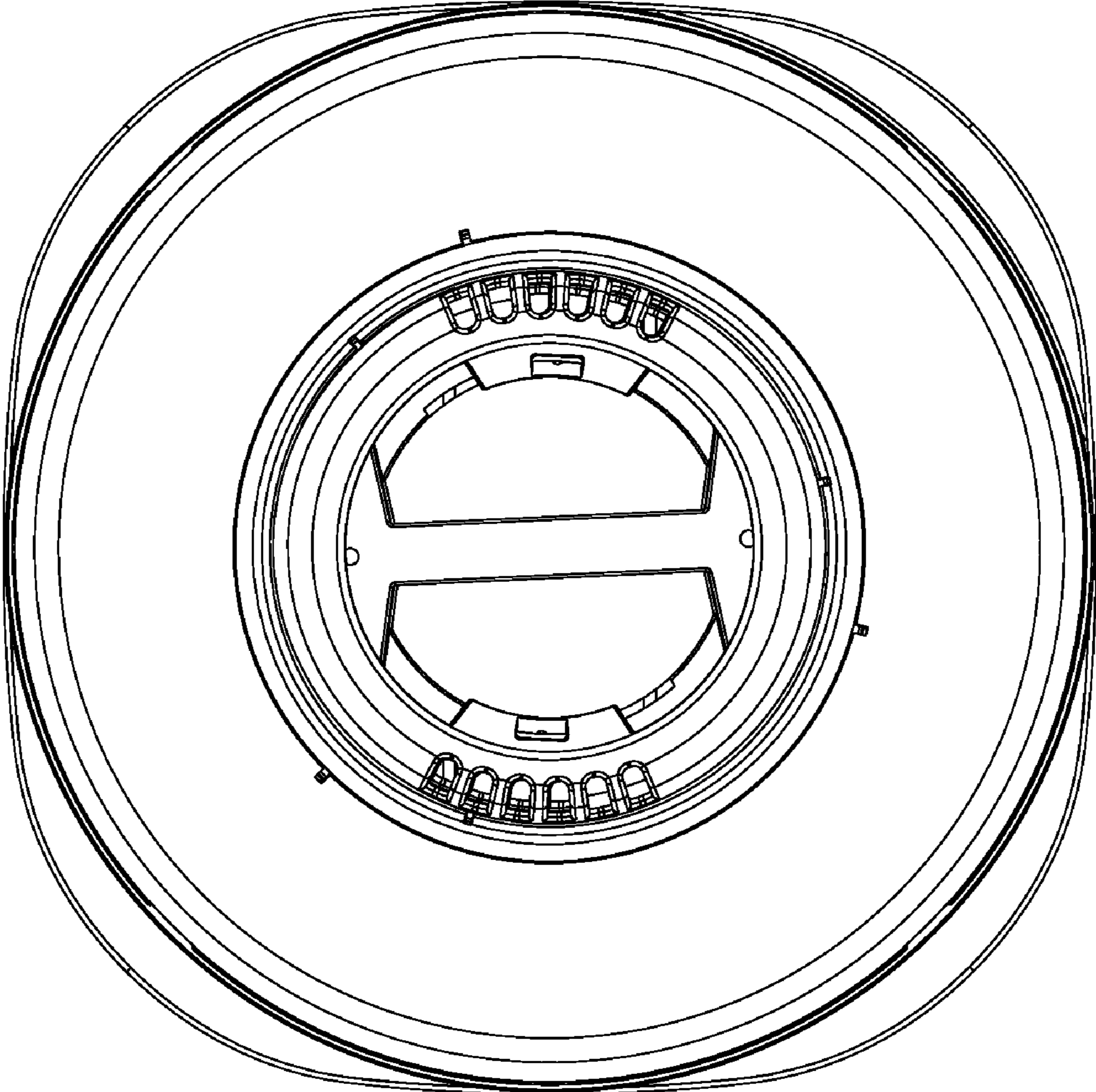


FIG. 5