



US00D630704S

(12) **United States Design Patent**
Kochanski

(10) **Patent No.:** **US D630,704 S**

(45) **Date of Patent:** **** Jan. 11, 2011**

(54) **DUAL FUEL CARRIER**

(76) Inventor: **Kevin Joseph Kochanski**, 1744
Driftwood Ct., Oxford, MI (US) 48371

(**) Term: **14 Years**

(21) Appl. No.: **29/314,146**

(22) Filed: **Mar. 6, 2009**

(51) **LOC (9) Cl.** **23-01**

(52) **U.S. Cl.** **D23/206**

(58) **Field of Classification Search** D23/206;
248/346.01; 220/23.88, 628, 630

See application file for complete search history.

(56) **References Cited**

U.S. PATENT DOCUMENTS

2,545,320	A *	3/1951	Tilson et al.	248/346.03
4,907,712	A *	3/1990	Stempin	220/630
4,930,653	A *	6/1990	Machado	220/23.4
5,143,247	A *	9/1992	Gavle	220/630
D340,761	S *	10/1993	Long	D23/206
D466,725	S *	12/2002	Masciale	D6/449

* cited by examiner

Primary Examiner—Robin V Webster
(74) *Attorney, Agent, or Firm*—Warn Partners, P.C.

(57) **CLAIM**

The ornamental design for a dual fuel carrier, as shown and described.

DESCRIPTION

FIG. 1 is a perspective view of the dual fuel carrier showing our new design;

FIG. 2 is a top view thereof;

FIG. 3 is a front plan view thereof;

FIG. 4 is a side view thereof;

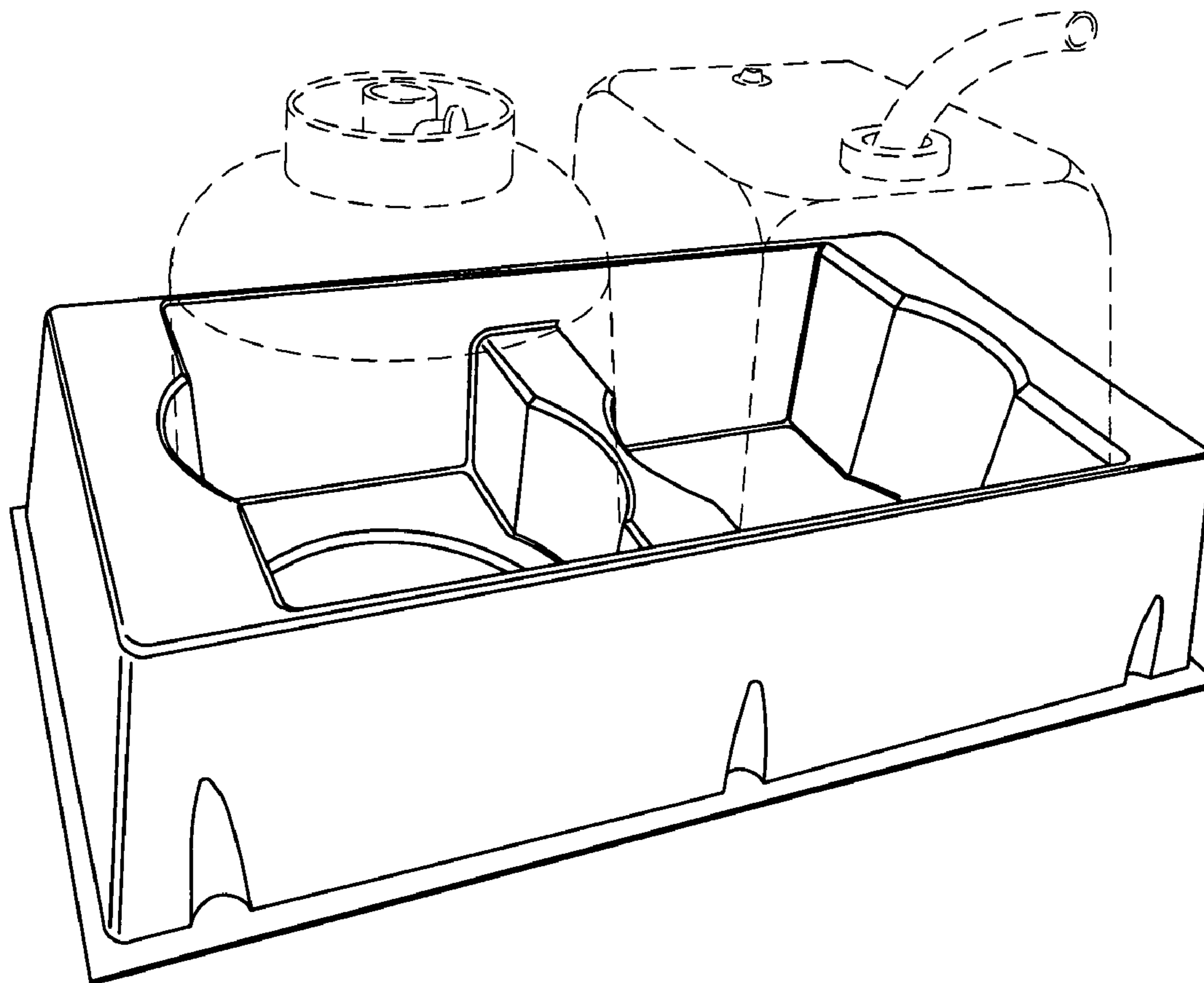
FIG. 5 is a rear plan view thereof;

FIG. 6 is a second side view thereof; and,

FIG. 7 is a bottom plan view thereof.

The broken line showing of fuel tanks is included for the purpose of illustrating and forms no part of the claimed design.

1 Claim, 3 Drawing Sheets



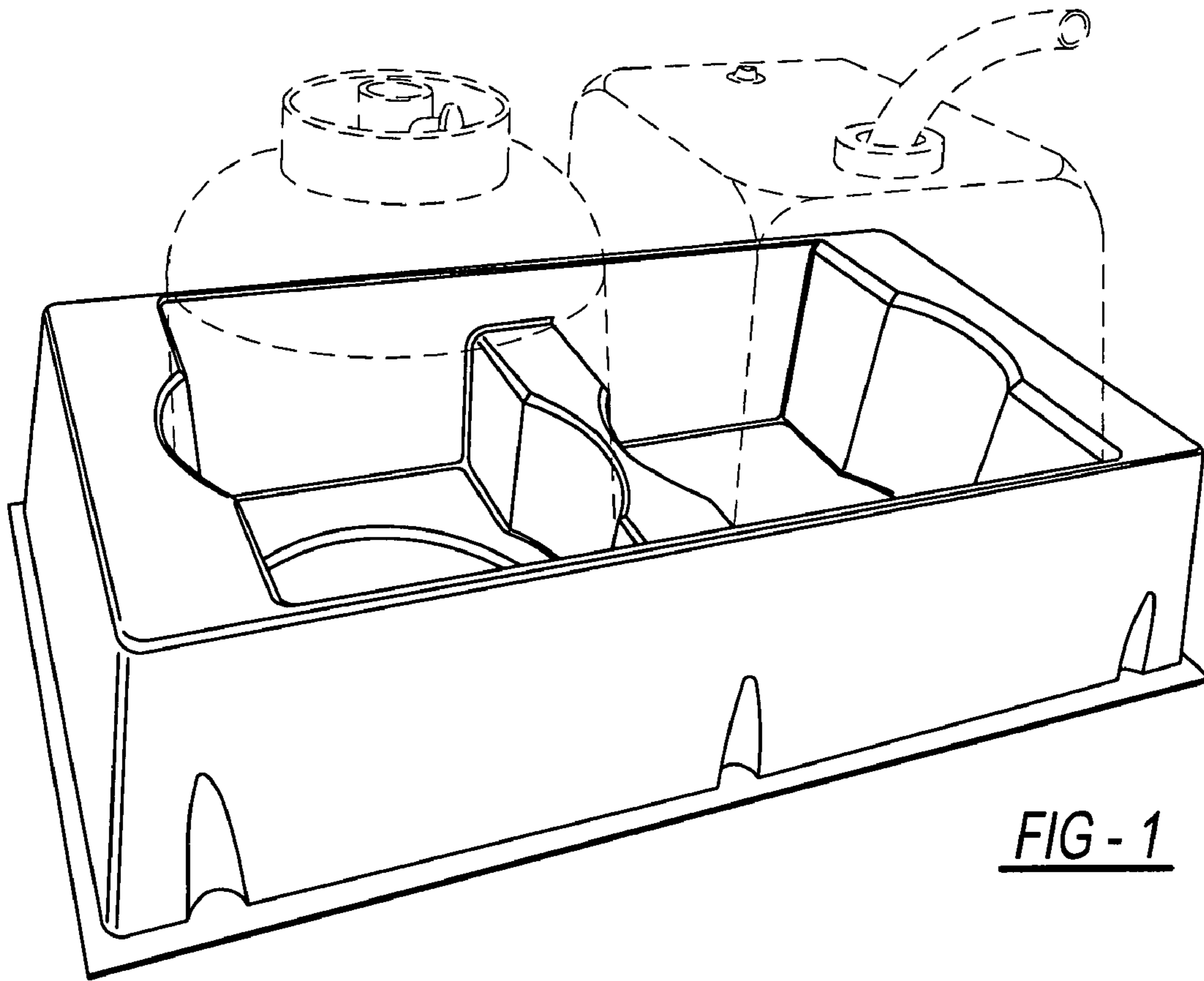


FIG - 1

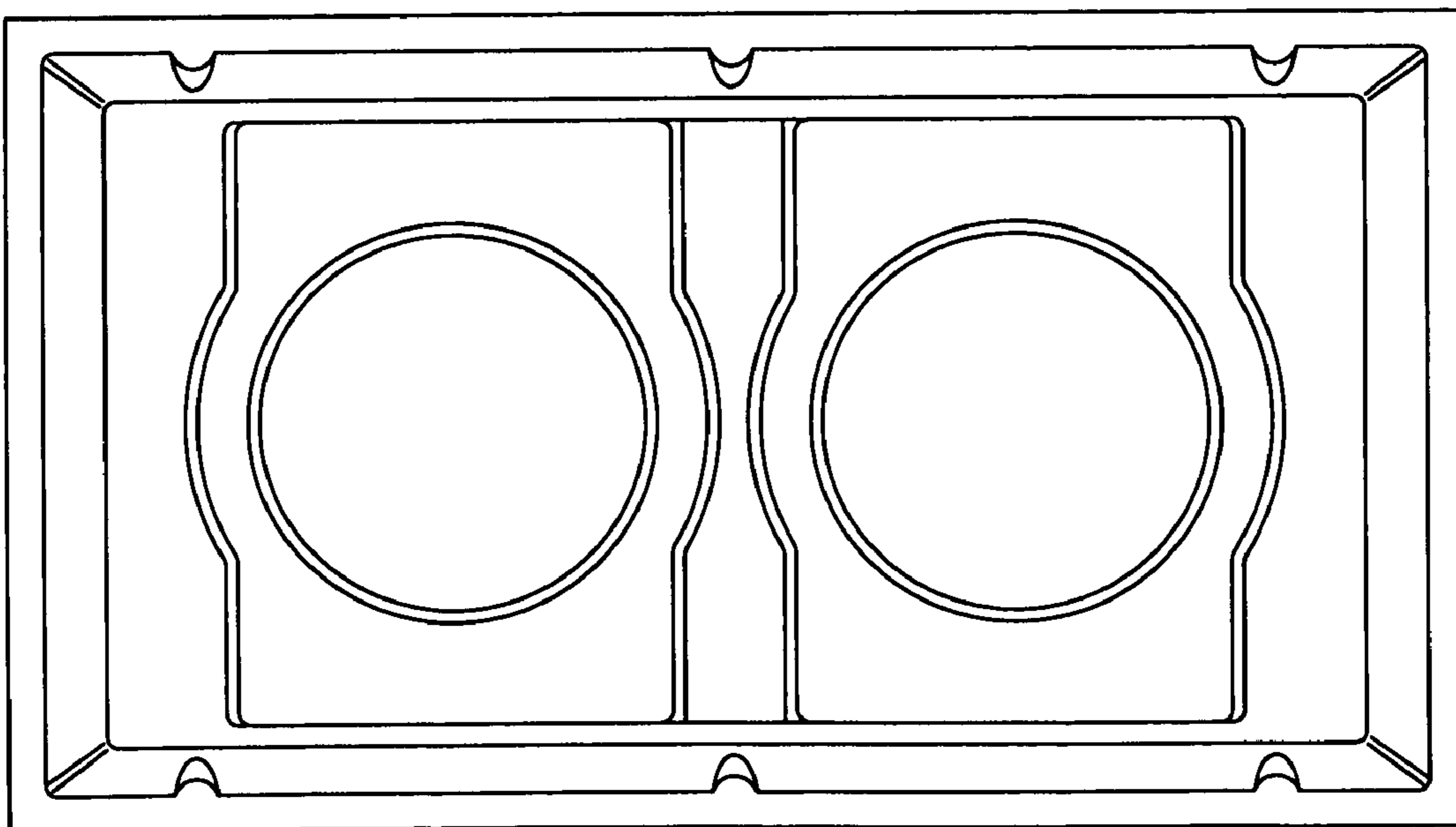


FIG - 2

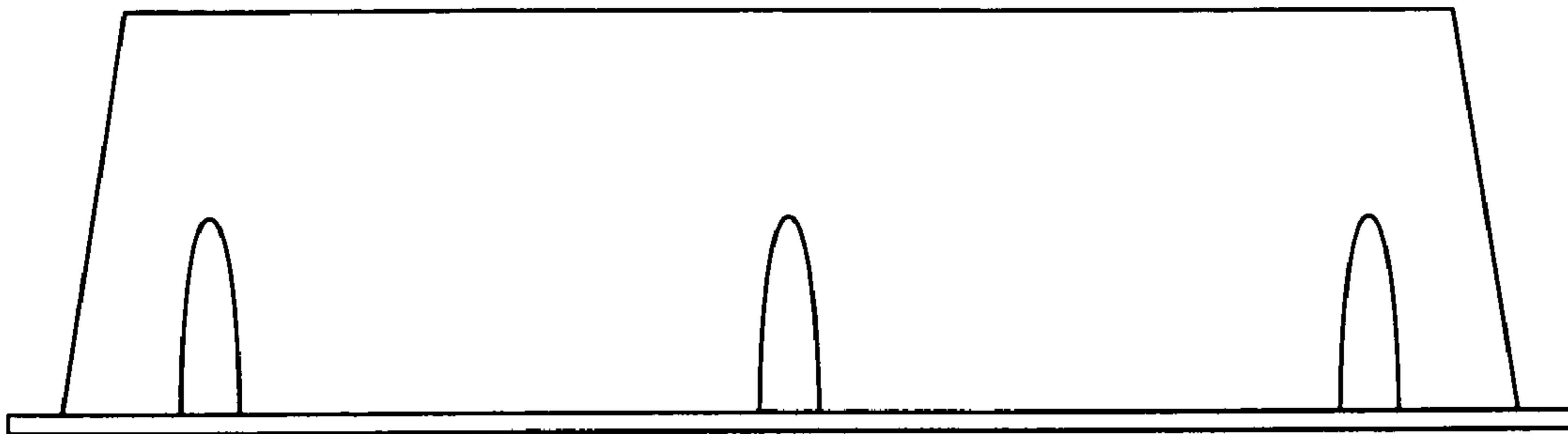


FIG - 3

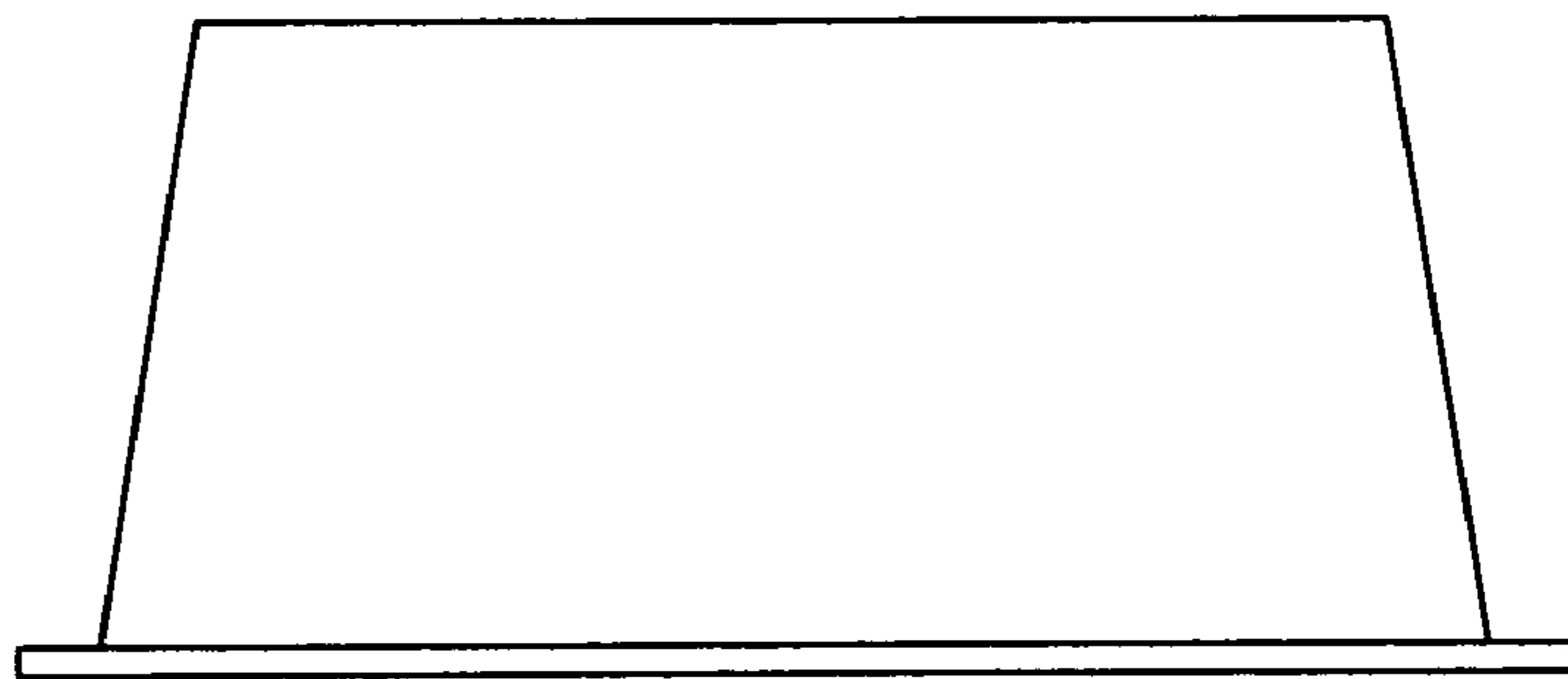


FIG - 4

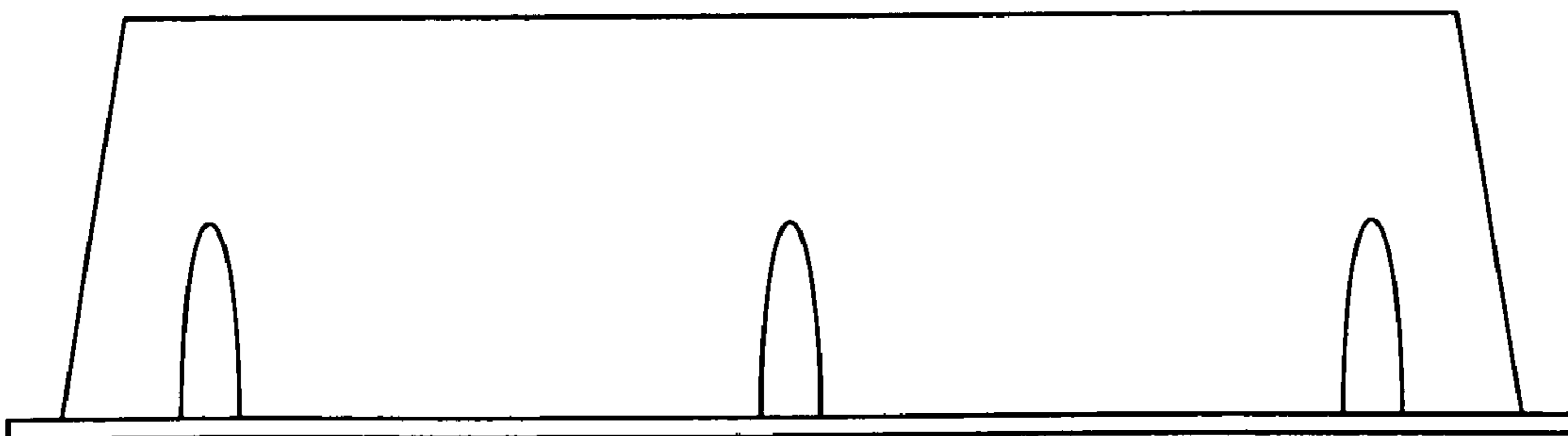


FIG - 5

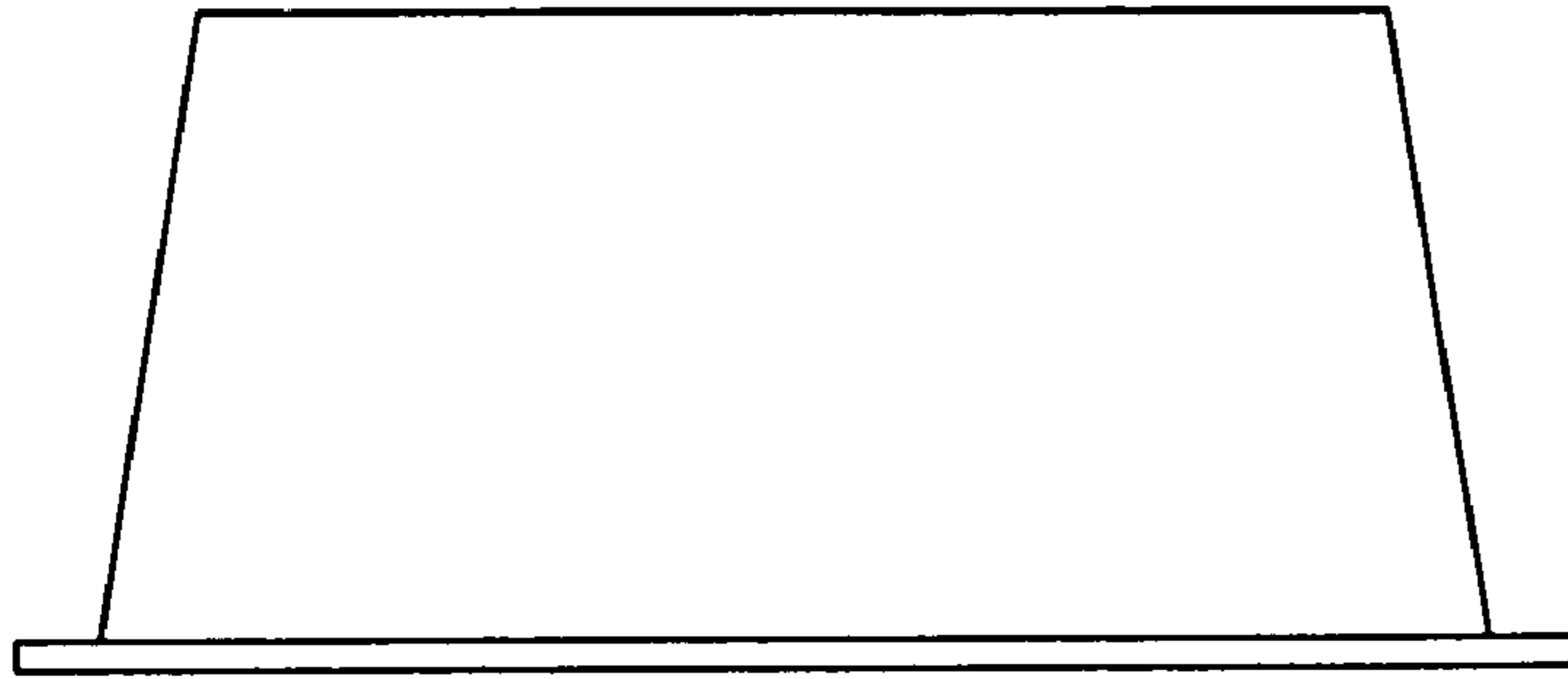


FIG - 6

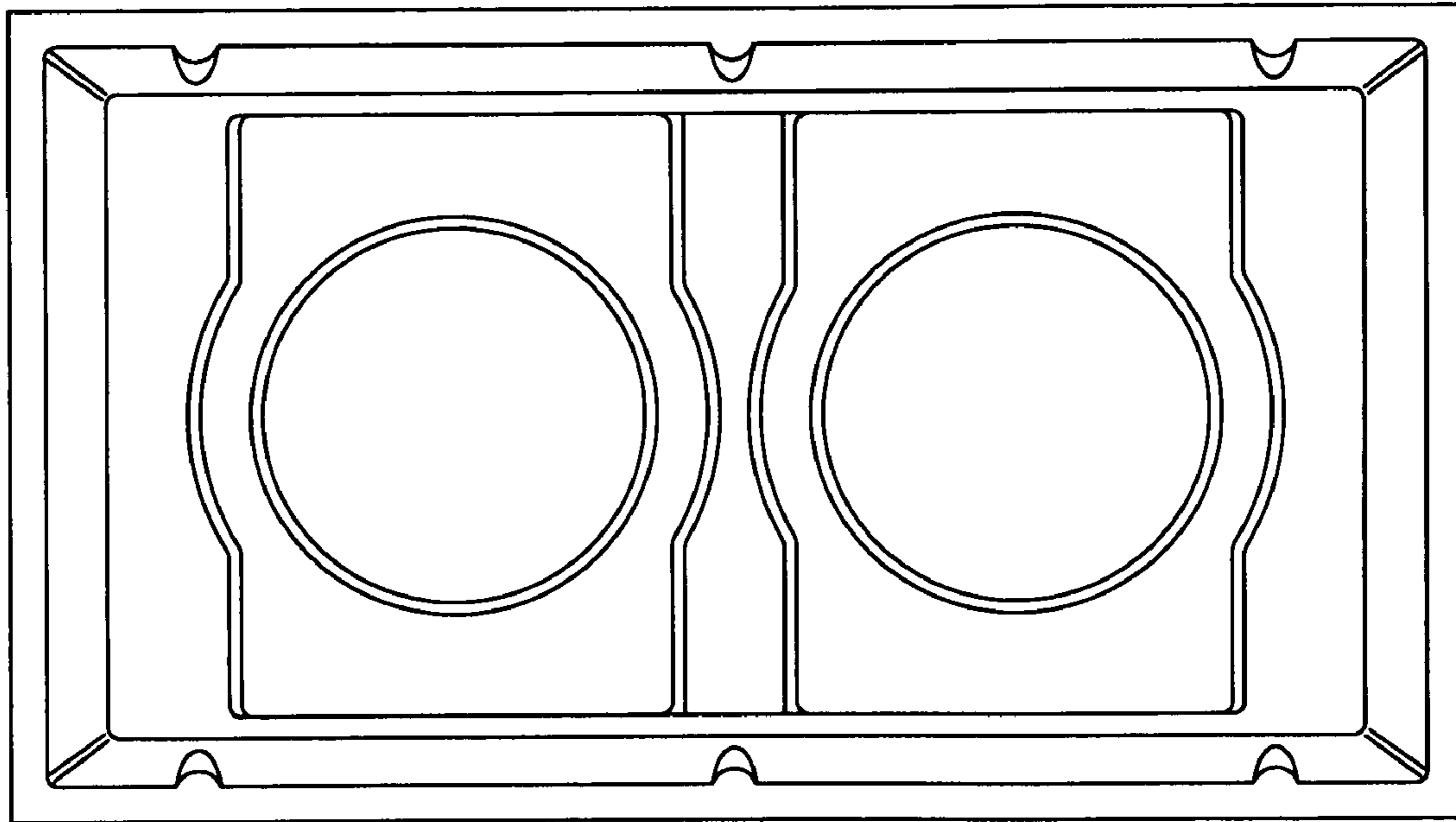


FIG - 7