



US00D630703S

(12) **United States Design Patent**
Ford

(10) **Patent No.:** **US D630,703 S**
(45) **Date of Patent:** **** Jan. 11, 2011**

- (54) **TROLLING DIVER DEVICE**
- (75) Inventor: **Randolph K. Ford**, Stayner (CA)
- (73) Assignee: **Walker Downriggers, Inc.**, Stayner, Ontario (CA)
- (**) Term: **14 Years**
- (21) Appl. No.: **29/349,463**
- (22) Filed: **Apr. 6, 2010**
- (51) **LOC (9) Cl.** **22-05**
- (52) **U.S. Cl.** **D22/134**
- (58) **Field of Classification Search** D22/134, D22/149, 199; 43/43.12, 43.13, 42.74, 15; 242/250, 264, 270, 366, 394.1, 397.1
See application file for complete search history.

(56) **References Cited**

U.S. PATENT DOCUMENTS

4,141,169	A *	2/1979	Rieth	242/394.1
4,449,317	A *	5/1984	Brodribb et al.	43/15
4,932,602	A *	6/1990	Scott	242/394.1
D381,733	S *	7/1997	Shaw, III	D22/134

* cited by examiner

Primary Examiner—Catherine R Oliver
(74) *Attorney, Agent, or Firm*—Olson & Cepuritis, Ltd.

(57) **CLAIM**

The ornamental design for a trolling diver device, as shown and described.

DESCRIPTION

FIG. 1 is a perspective view of a trolling diver device showing my new design, with the rod portion of a releasable latch

mechanism, the screw securing the rod to the device, the nut and screw securing the latch, and a live bait swivel shown in broken lines for purposes of illustration only and forming no part of the claimed design;

FIG. 2 is a top plan view of a trolling diver device, showing the rod portion of a releasable latch mechanism and a live bait swivel in broken lines for purposes of illustration only and forming no part of the claimed design;

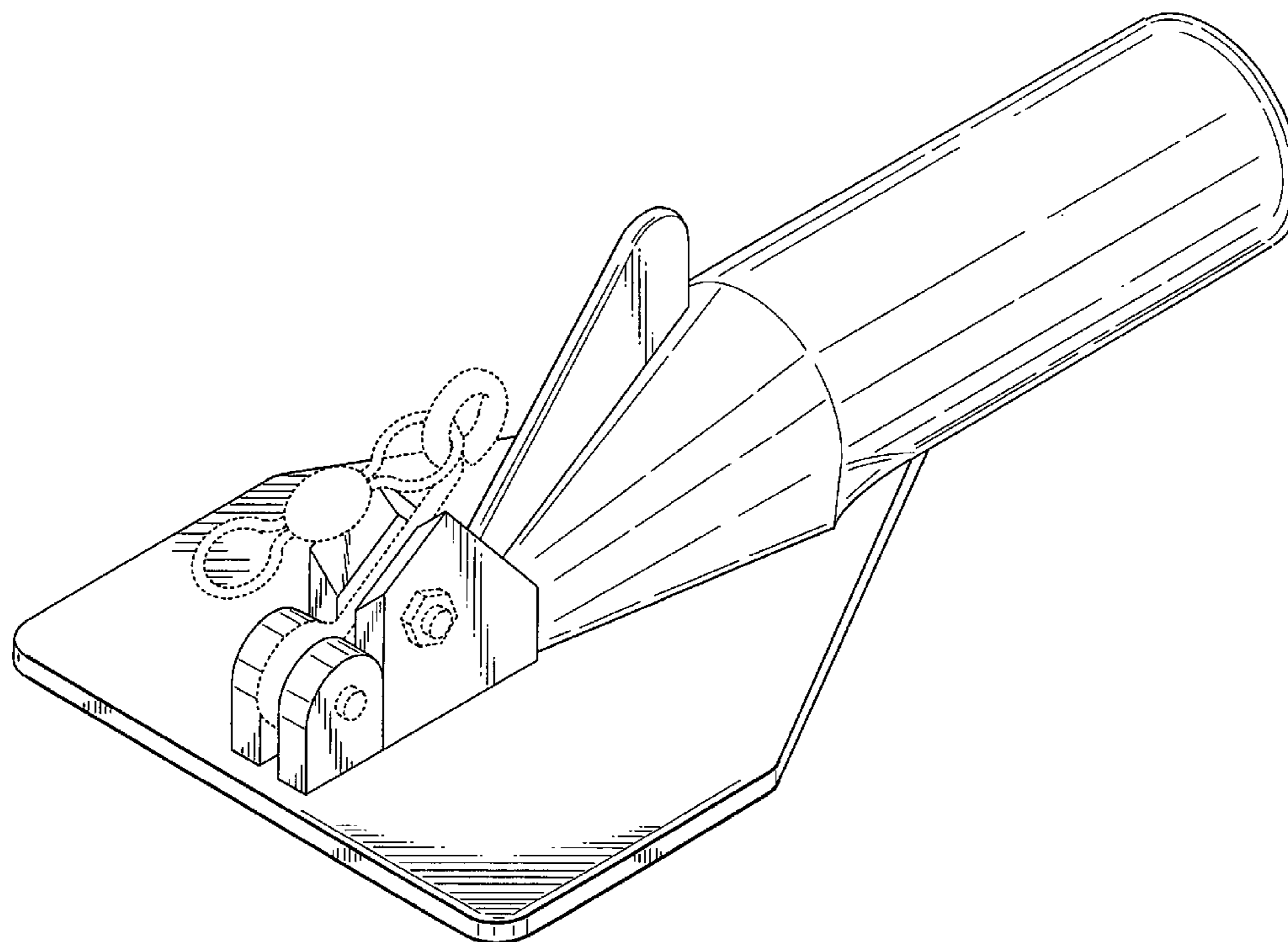
FIG. 3 is a bottom plan view of a trolling diver device, showing a snap swivel in broken lines for purposes of illustration only and forming no part of the claimed design;

FIG. 4 is a side elevational view of a trolling diver device, showing the rod portion of a releasable latch mechanism, the screw for securing the rod, the nut and screw for securing the latch, a live bait swivel, and a snap swivel in broken lines for purposes of illustration only and forming no part of the claimed design;

FIG. 5 is a front elevational view of a trolling diver device, showing the rod portion of a releasable latch mechanism, the screw for securing the rod, the screw and bolt for securing the latch, a live bait swivel, and a snap swivel in broken lines for purposes of illustration only and forming no part of the claimed design; and,

FIG. 6 is a rear elevational view of a trolling diver device, showing a live bait swivel and a snap swivel in broken lines for purposes of illustration only and forming no part of the claimed design.

1 Claim, 3 Drawing Sheets



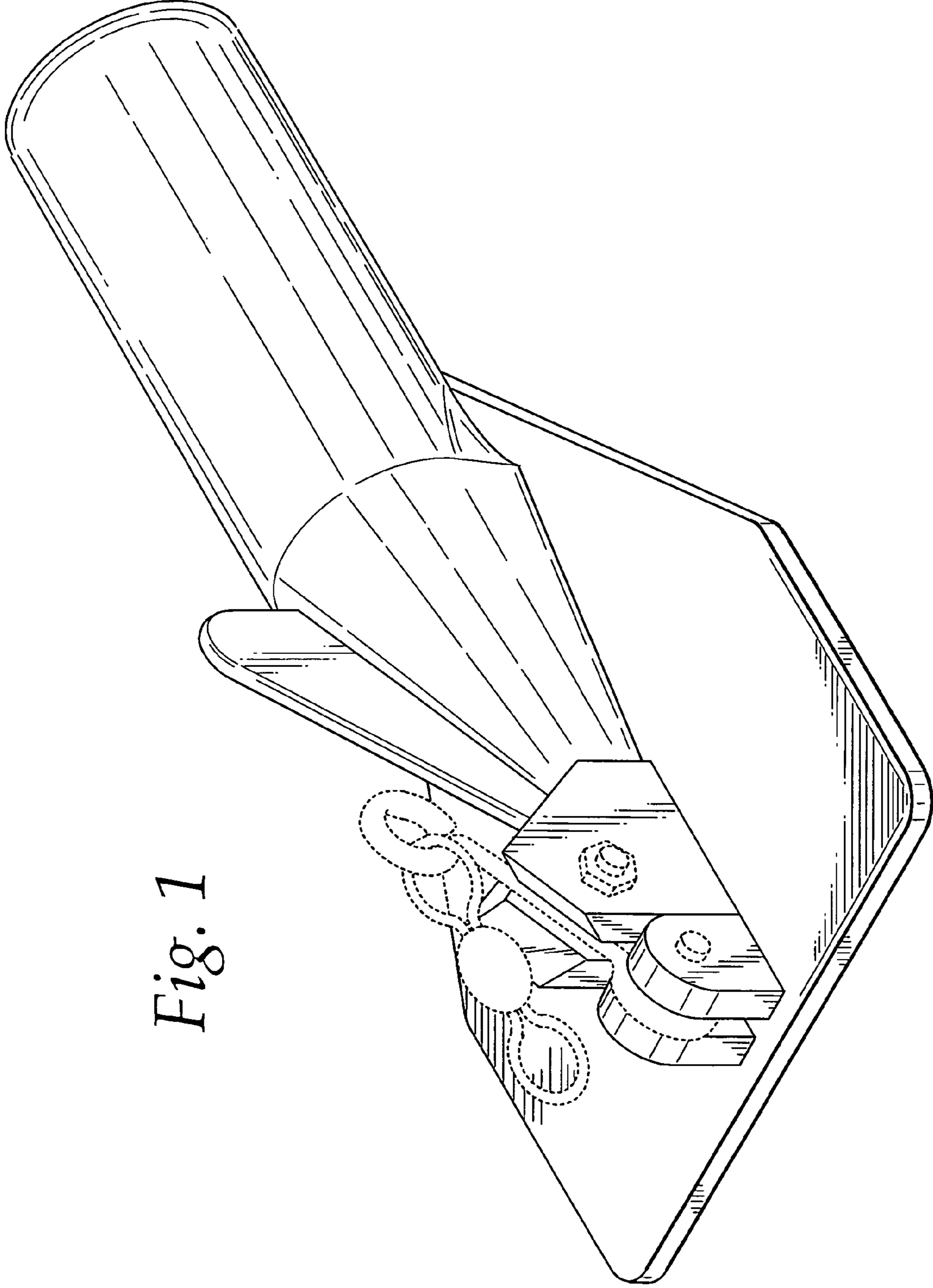


Fig. 1

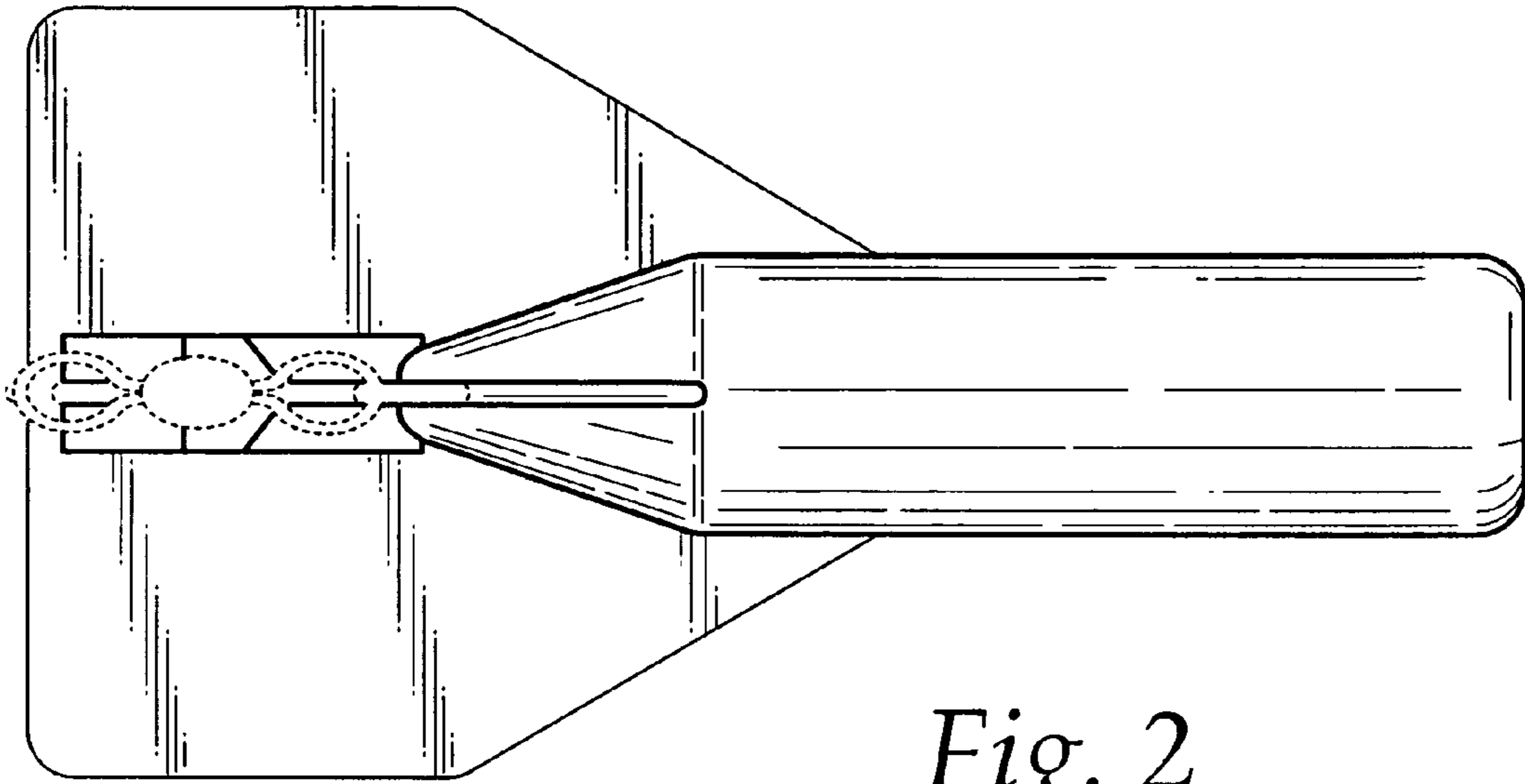


Fig. 2

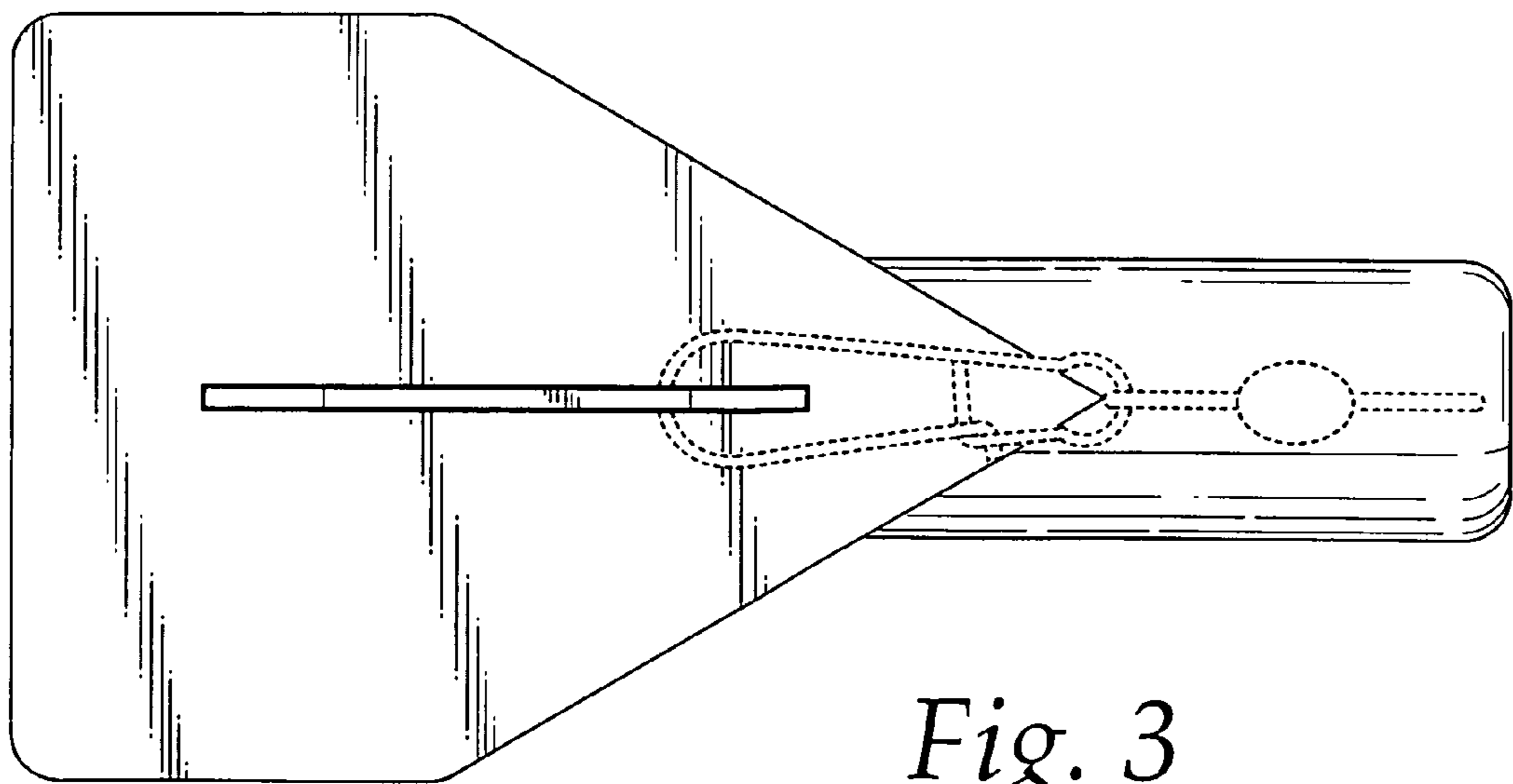


Fig. 3

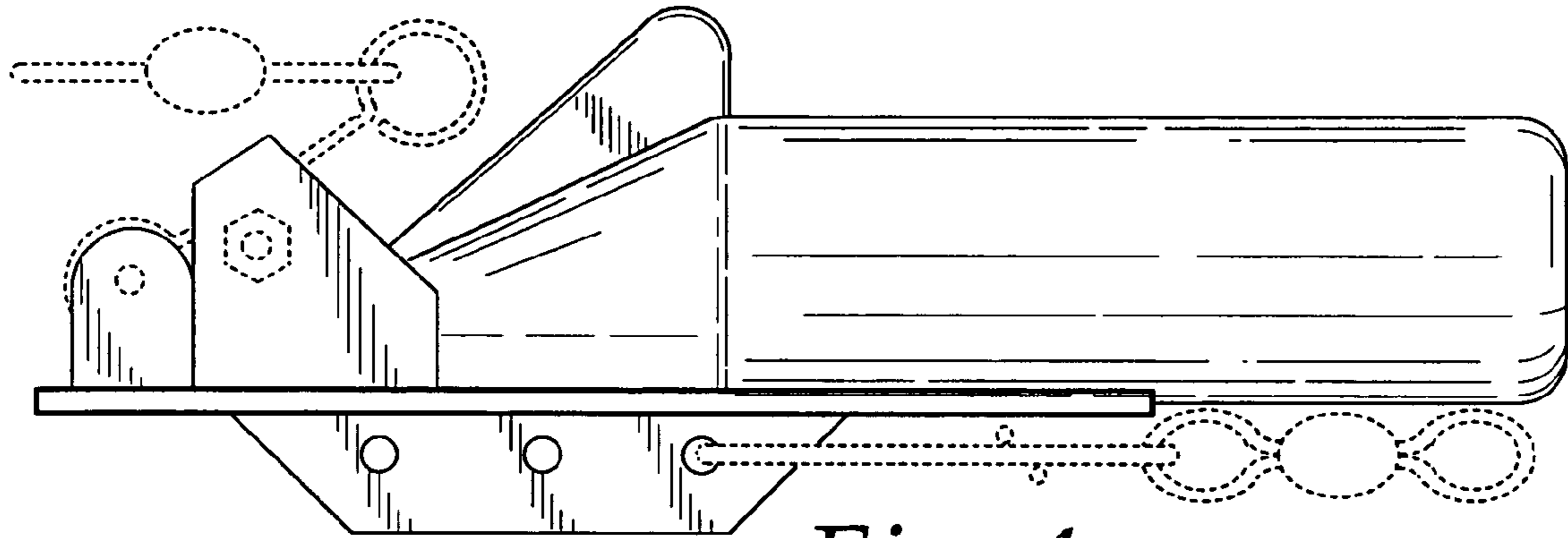


Fig. 4

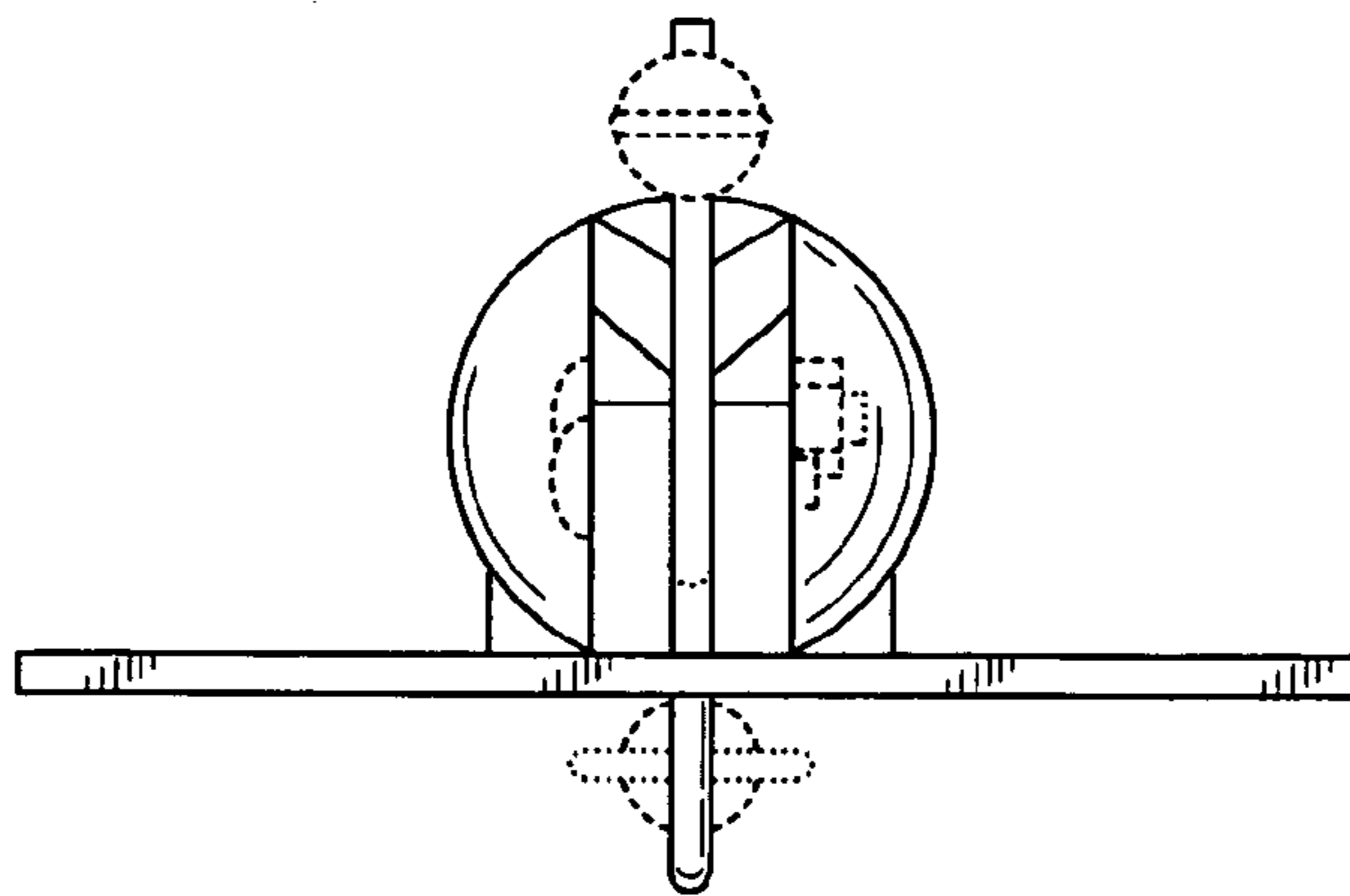


Fig. 5

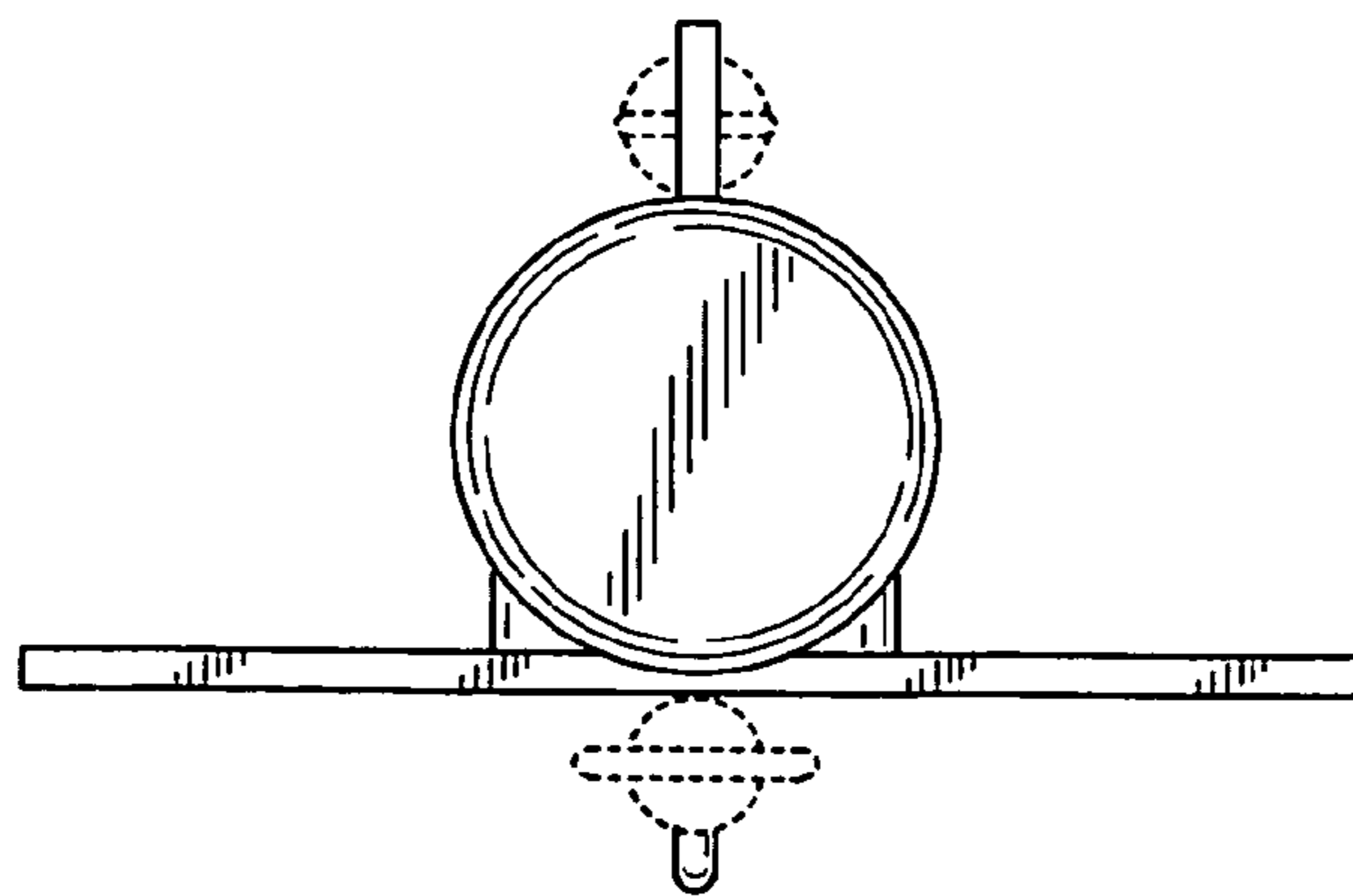


Fig. 6