

US00D630701S

(12) **United States Design Patent**
Fanizzi

(10) **Patent No.:** **US D630,701 S**

(45) **Date of Patent:** **** *Jan. 11, 2011**

(54) **ARROW HEAD**

(76) Inventor: **Antonio Fanizzi**, 5789 Rick Rd.,
Clinton, OH (US) 44216

(*) Notice: This patent is subject to a terminal disclaimer.

(**) Term: **14 Years**

(21) Appl. No.: **29/345,736**

(22) Filed: **Oct. 21, 2009**

(51) **LOC (9) Cl.** **22-01**

(52) **U.S. Cl.** **D22/107**

(58) **Field of Classification Search** D22/100,
D22/101, 103, 104, 108, 199; D21/572,
D21/573; 42/51, 71.01, 75.01, 75.02, 90,
42/94; 362/110; 33/241; 313/105 R; 89/40.06,
89/37.04, 33.04, 191.01; 124/67, 66, 74
See application file for complete search history.

(56) **References Cited**

U.S. PATENT DOCUMENTS

2,816,766	A	12/1957	Stockfleth	
2,829,894	A *	4/1958	Henkel	473/584
3,398,960	A	8/1968	Carroll et al.	
D247,504	S *	3/1978	Trinkle	D22/115
D257,443	S *	10/1980	Erlandson	D22/115

5,137,282	A	8/1992	Segar et al.	
D351,891	S	10/1994	Tinsley	
5,570,530	A	11/1996	Lee	
D385,327	S *	10/1997	Delmonte	D22/115
5,879,252	A	3/1999	Johnson	
D471,616	S *	3/2003	Marfione	D22/115
6,530,853	B1	3/2003	Giannetti	
6,540,628	B1	4/2003	Musacchia et al.	
6,939,258	B2	9/2005	Muller	
D538,375	S *	3/2007	Reitz	D22/115
2006/0052191	A1 *	3/2006	Mizek et al.	473/583

* cited by examiner

Primary Examiner—T. Chase Nelson
Assistant Examiner—Michael A Pratt
(74) *Attorney, Agent, or Firm*—Kyle Fletcher

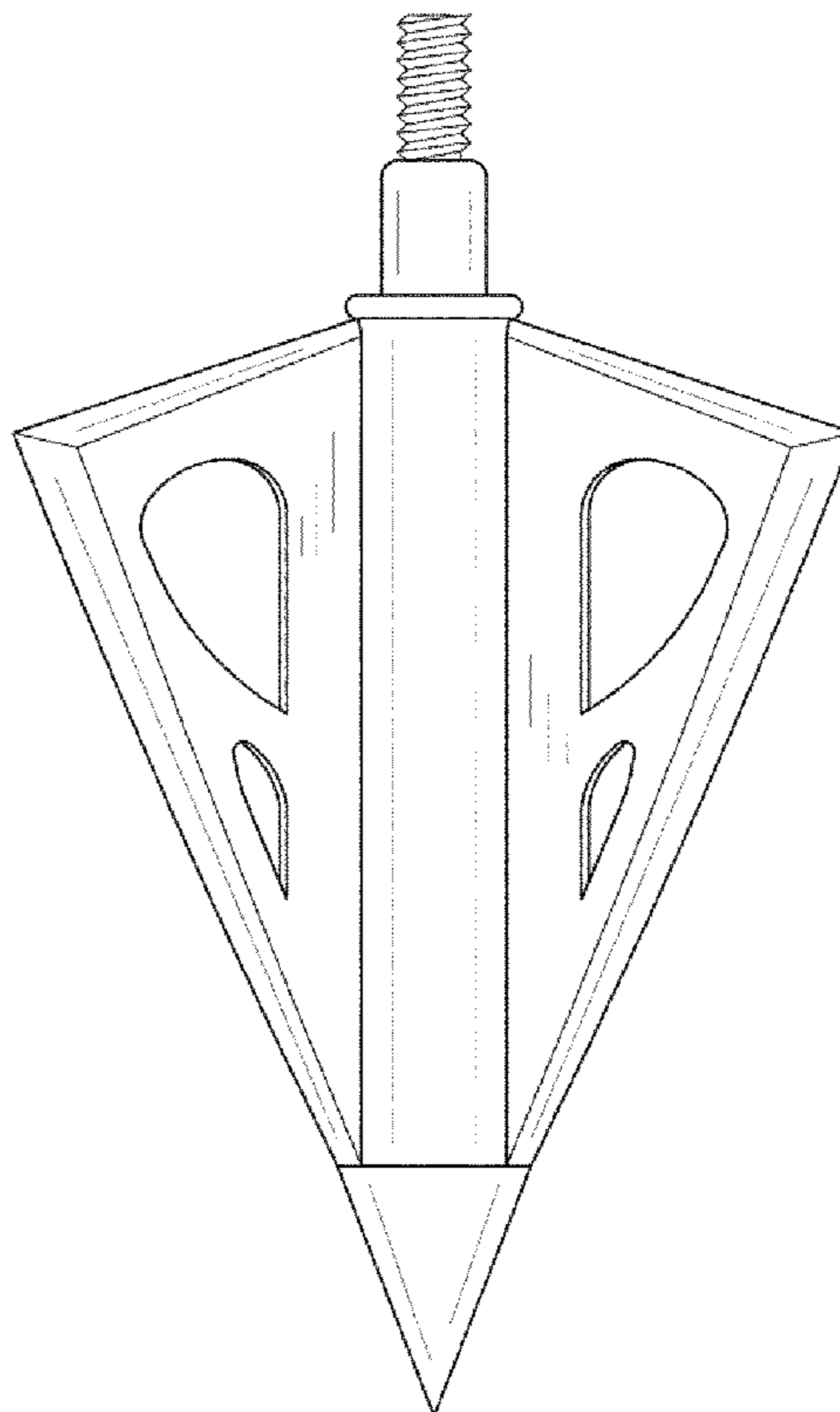
(57) **CLAIM**

The ornamental design for the arrow head, as shown and described.

DESCRIPTION

FIG. 1 is a front view of the arrow head.
FIG. 2 is a rear view of the claimed design.
FIG. 3 is a side view of the claimed design.
FIG. 4 is a top view of the claimed design; and,
FIG. 5 is a bottom view of the claimed design.

1 Claim, 3 Drawing Sheets



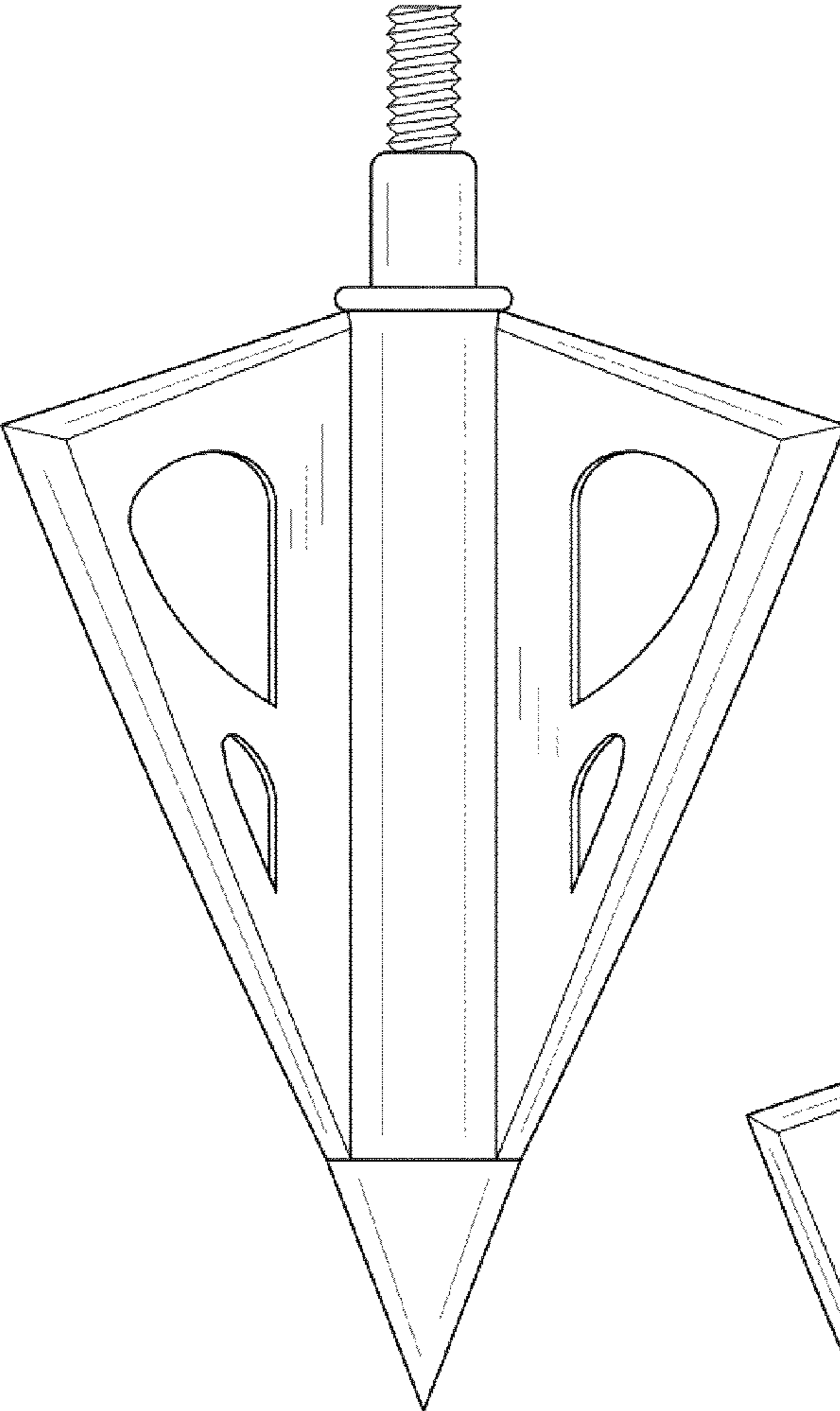


FIG. 1

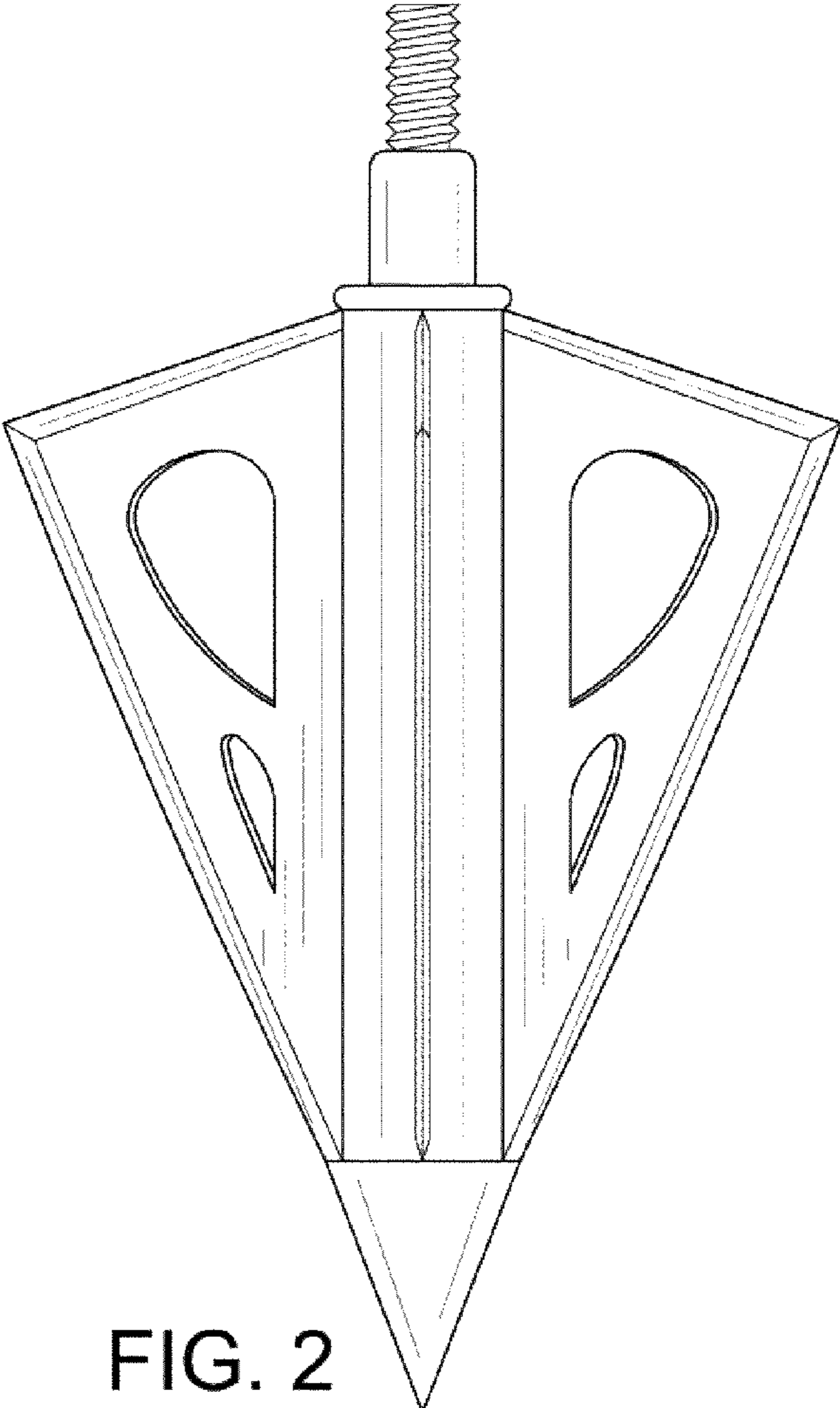


FIG. 2

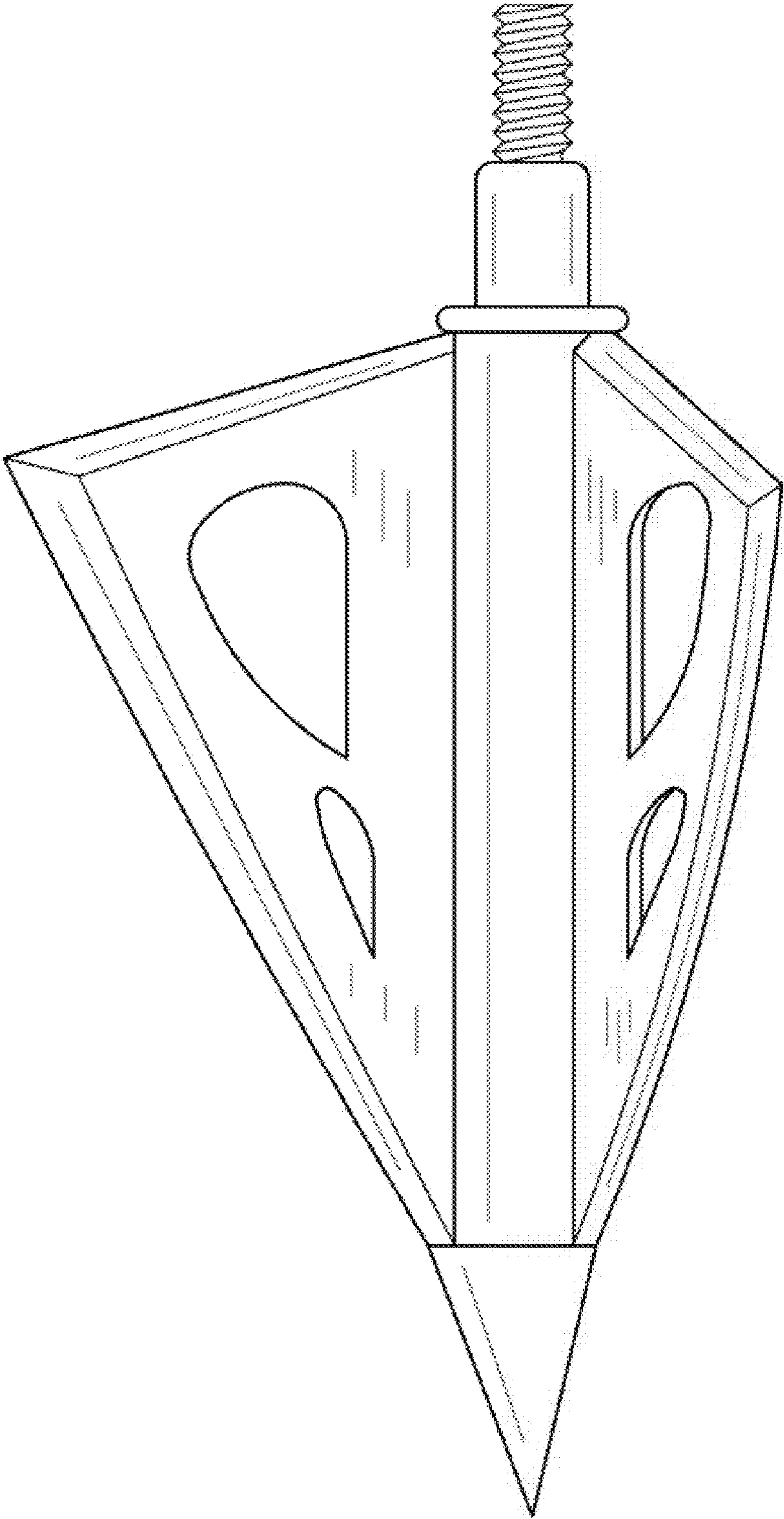


FIG. 3

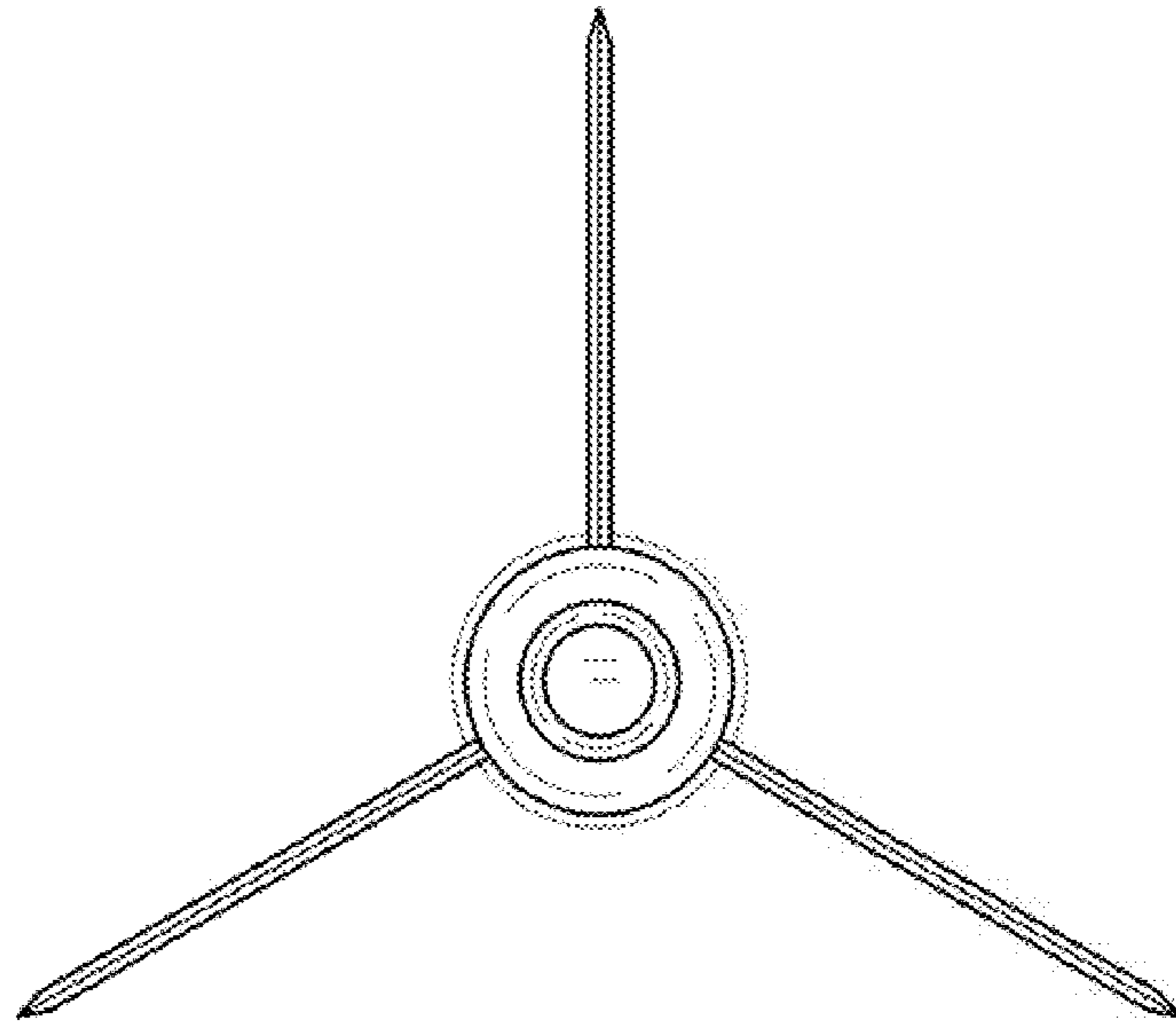


FIG. 4

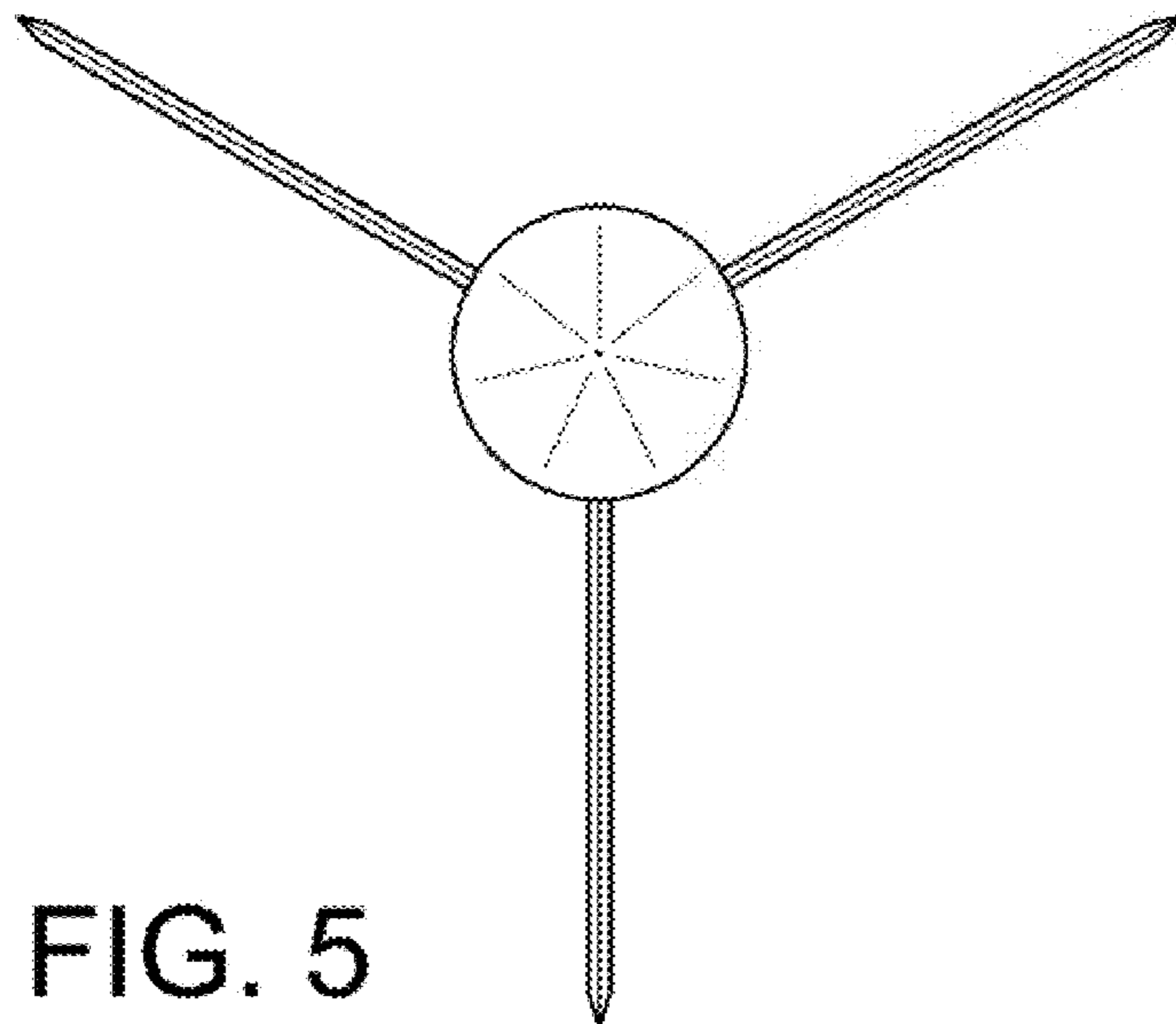


FIG. 5