



US00D630699S

(12) **United States Design Patent**
Wurtz

(10) **Patent No.:** **US D630,699 S**

(45) **Date of Patent:** **** Jan. 11, 2011**

(54) **BOW TIGHTENER**

(76) **Inventor:** **Ronald Todd Wurtz**, 324 Kansas Ave.,
Alma, KS (US) 66401

(**) **Term:** **14 Years**

(21) **Appl. No.:** **29/316,814**

(22) **Filed:** **Nov. 5, 2009**

(51) **LOC (9) Cl.** **22-01**

(52) **U.S. Cl.** **D22/107**

(58) **Field of Classification Search** D22/107,
D22/199; D8/300, 307, 309, 312, 313, 314,
D8/315, 398, DIG. 1, DIG. 2; 81/164, 176.15,
81/177.1, 177.3, 478

See application file for complete search history.

(56) **References Cited**

U.S. PATENT DOCUMENTS

D214,417	S	*	6/1969	Cleland	D8/307
D225,634	S	*	12/1972	Halter	D22/107
4,060,115	A	*	11/1977	Bocanegra Marquina	81/436
D284,346	S	*	6/1986	Masters	D8/21
4,835,998	A	*	6/1989	Steinbach	70/208
D303,009	S	*	8/1989	Strasser et al.	D24/147
D374,162	S	*	10/1996	Martin	D8/107
5,685,286	A	*	11/1997	Summers	124/35.2
D448,633	S	*	10/2001	Langlois	D8/14

D454,045	S	*	3/2002	Rinner et al.	D8/107
D484,786	S	*	1/2004	O'Connor	D8/398
D555,445	S	*	11/2007	Strahorn	D8/21
D557,584	S	*	12/2007	Gao	D8/107
7,467,576	B2	*	12/2008	Gao	81/474
2009/0313780	A1	*	12/2009	Martin	15/236.01

* cited by examiner

Primary Examiner—T. Chase Nelson

Assistant Examiner—Michael A Pratt

(74) *Attorney, Agent, or Firm*—Neal O. Willmann

(57) **CLAIM**

The ornamental design for the bow tightener, as shown and described.

DESCRIPTION

FIG. 1 is a perspective view of a bow tightener showing my new design;

FIG. 2 is a front elevational view thereof;

FIG. 3 is a left side elevational view thereof, the right side being a mirror image thereof;

FIG. 4 is a rear elevational view thereof; and,

FIG. 5 is a bottom plan view, the top plan view being a mirror image thereof.

1 Claim, 2 Drawing Sheets

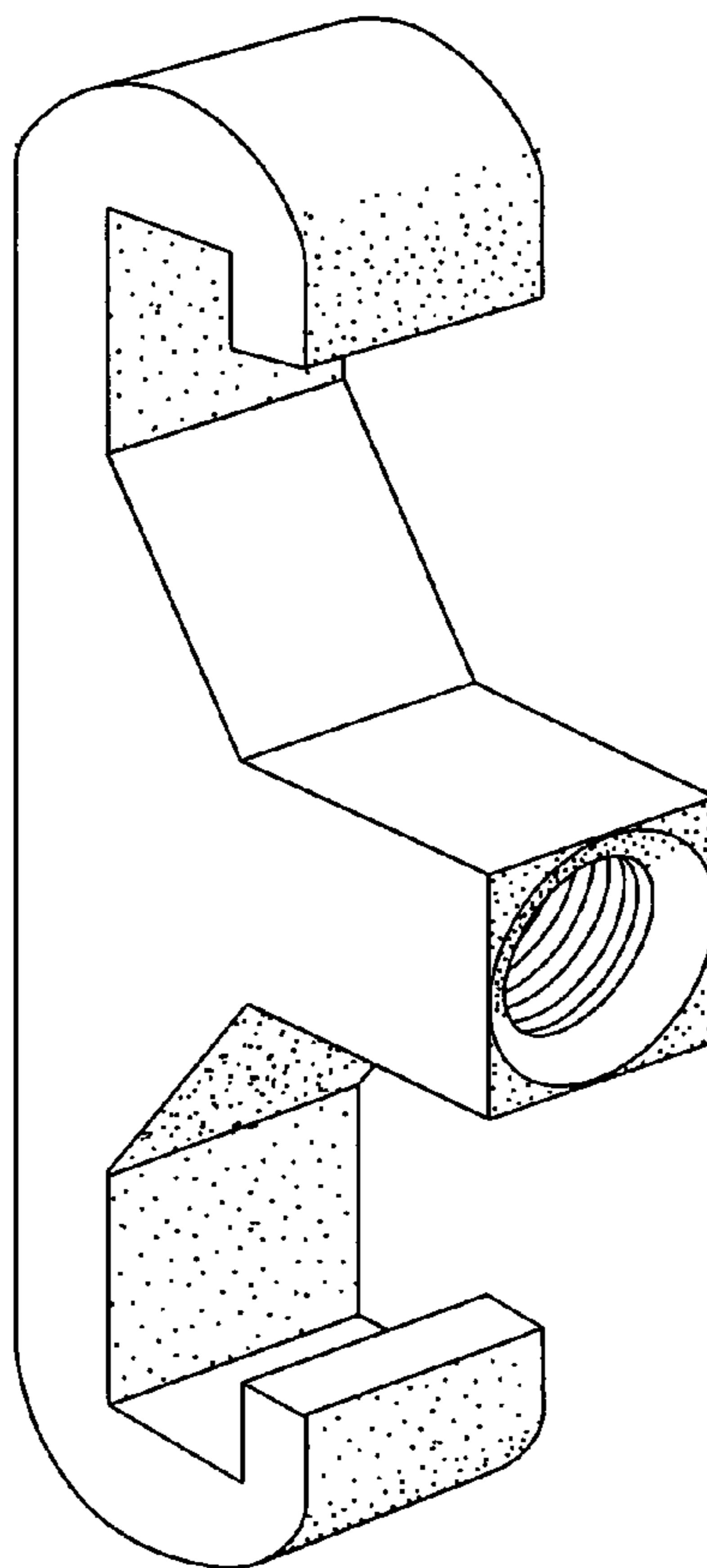


Fig. 1

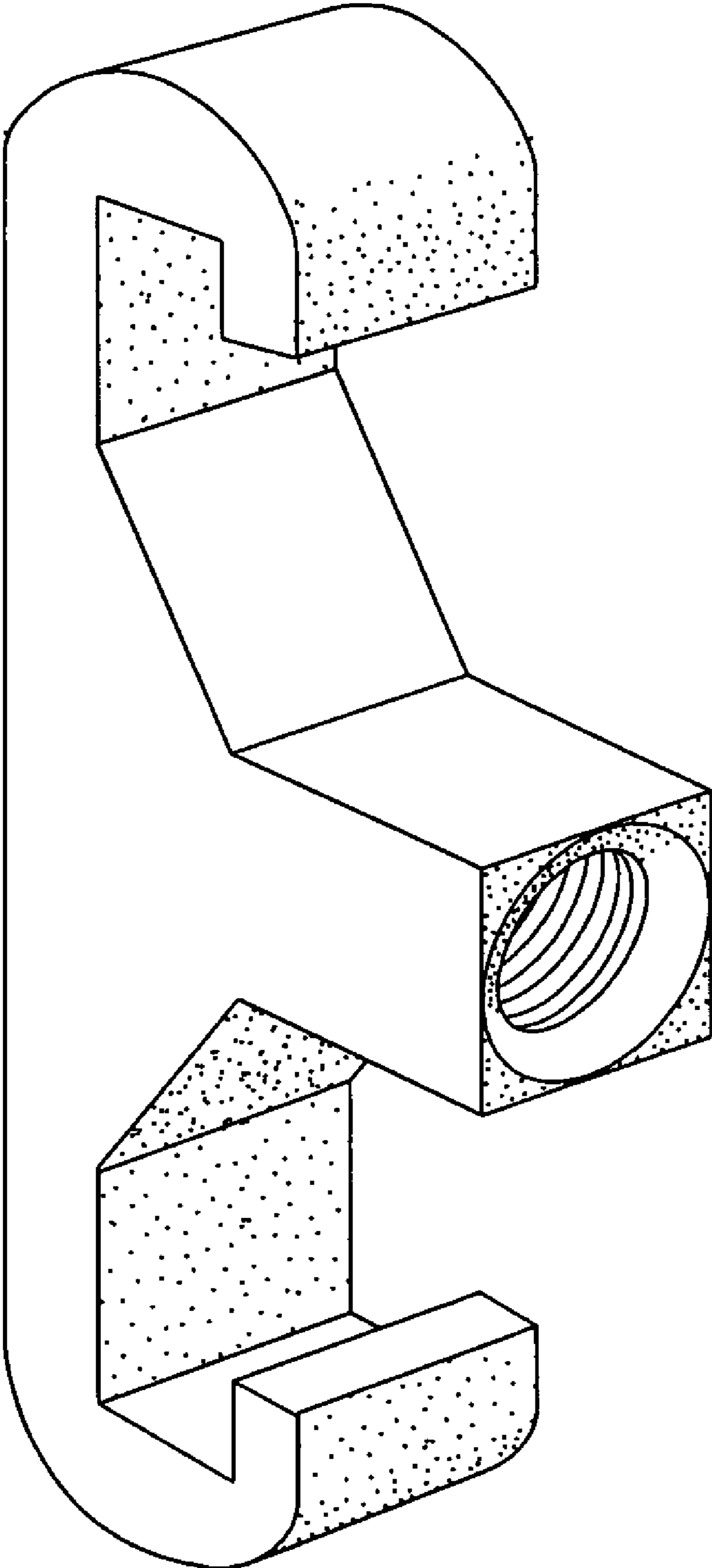


Fig. 2

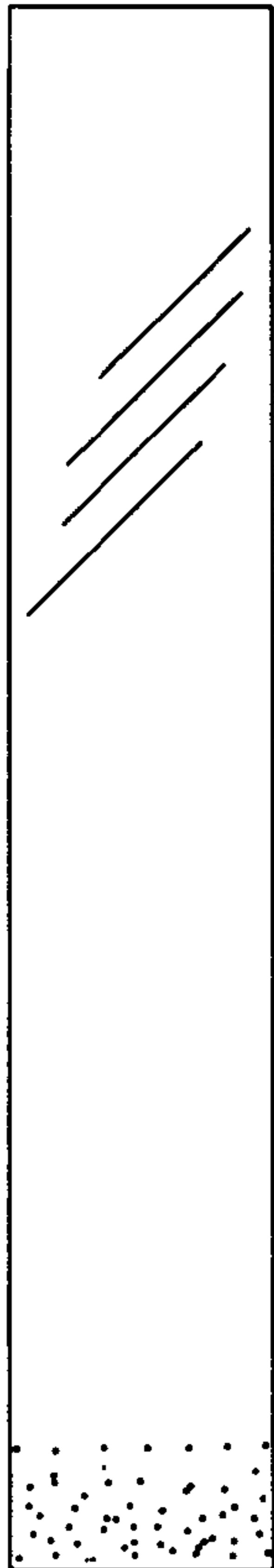


Fig. 3

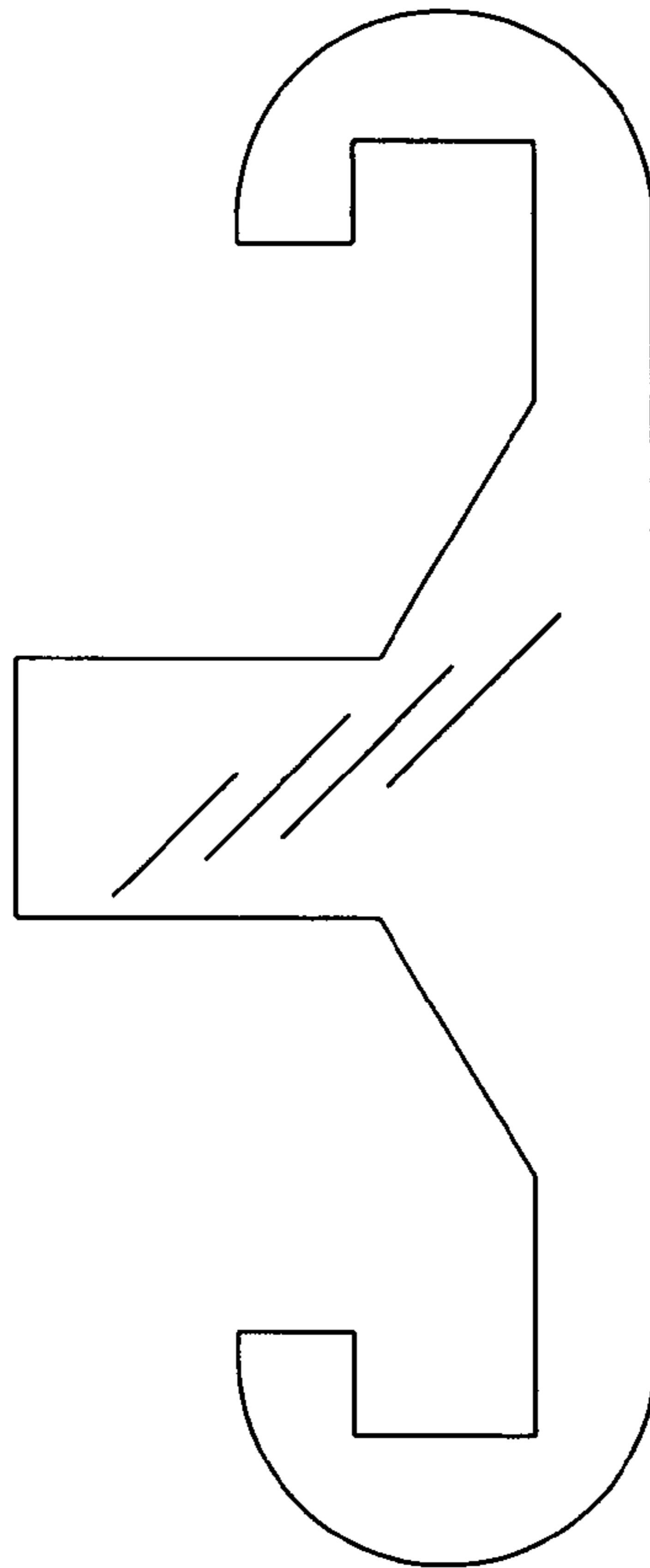


Fig. 4

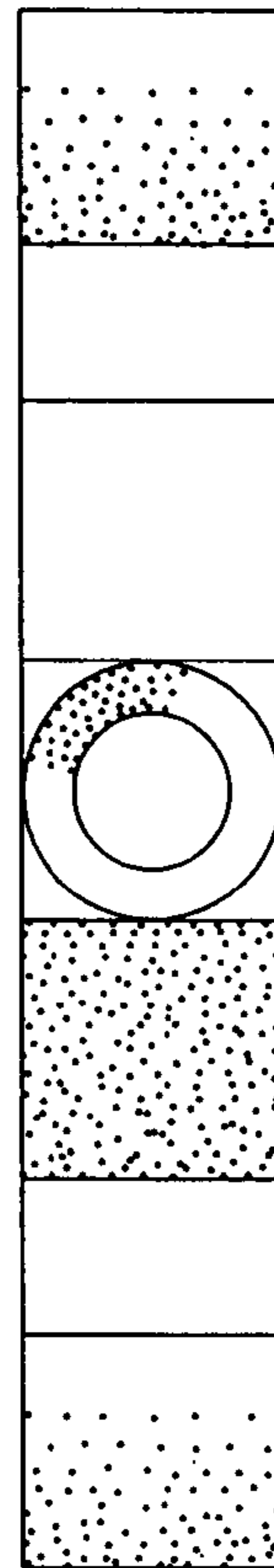


Fig. 5

