



US00D630698S

(12) **United States Design Patent**
Peterson et al.

(10) **Patent No.:** **US D630,698 S**
(45) **Date of Patent:** **** Jan. 11, 2011**

(54) **MODULAR CARBON FORE END SYSTEM FOR TACTICAL FIREARMS**

(75) Inventors: **Morris Peterson**, Earlysville, VA (US);
Matthew Peterson, Crozet, VA (US);
Gary Vance, Bristol, VA (US); **William McCormick**, Bluff City, TN (US);
Charles Robert Overbey, Jr., Deland, FL (US)

(73) Assignee: **Ashbury International Group, Inc.**,
Ruckersville, VA (US)

(**) Term: **14 Years**

(21) Appl. No.: **29/340,272**

(22) Filed: **Jul. 15, 2009**

Related U.S. Application Data

(63) Continuation of application No. 12/251,384, filed on Oct. 14, 2008.

(51) **LOC (9) Cl.** **22-01**

(52) **U.S. Cl.** **D22/103**

(58) **Field of Classification Search** D22/100,
D22/101, 103, 104, 108, 199; D21/572,
D21/573; 42/51, 71.01, 75.01, 75.02, 90,
42/94, 134, 136, 139, 125, 72, 111; 362/110;
33/241, 277; 313/105 R; 89/40.06, 41.19,
89/37.04, 191.01, 200-204; 124/67, 66,
124/74

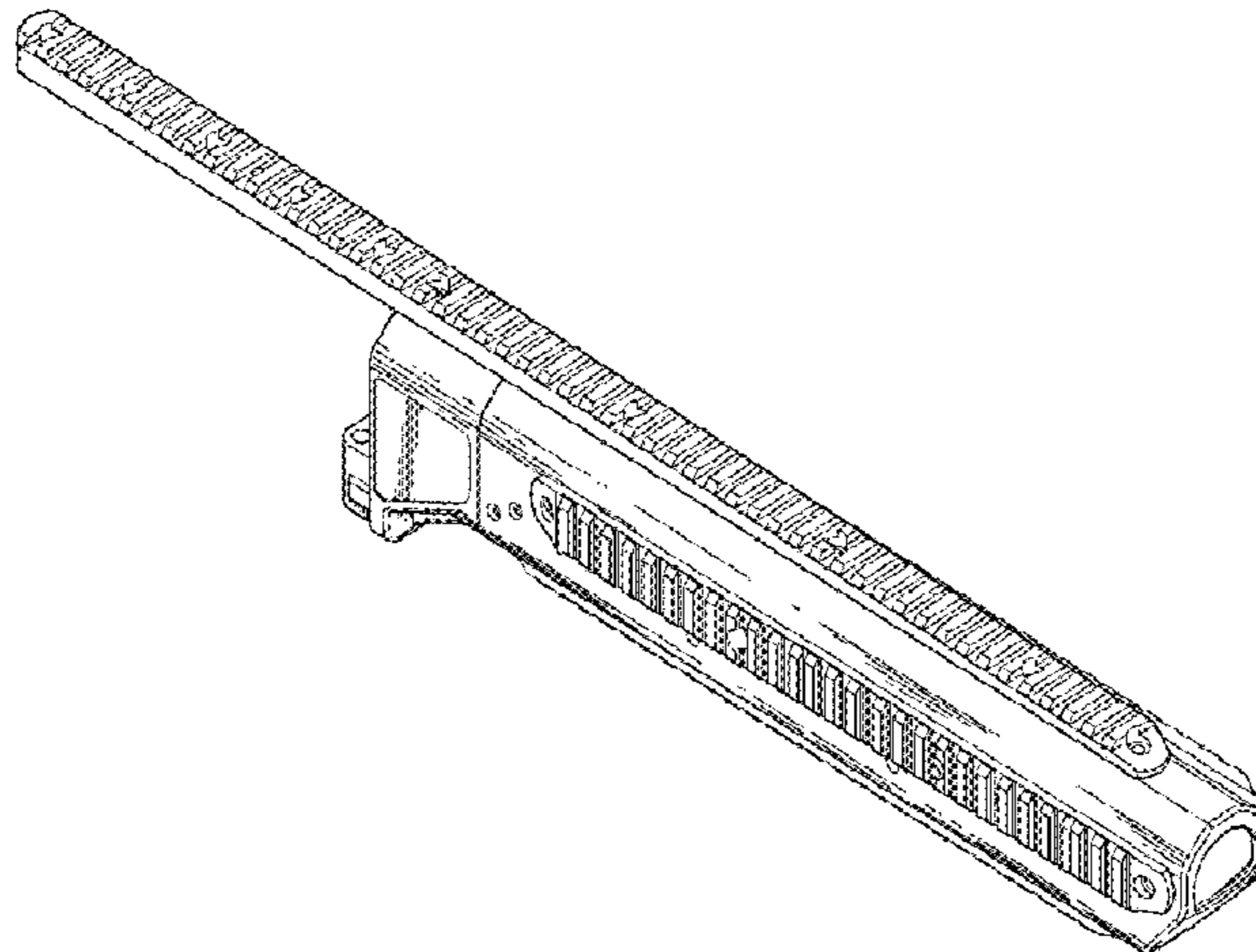
See application file for complete search history.

(56) **References Cited**

U.S. PATENT DOCUMENTS

2,387,691 A 10/1945 Sunderland
3,209,481 A 10/1965 Gilbert
3,369,316 A 2/1968 Miller
3,512,290 A 5/1970 La Violette, Jr. et al.
3,543,428 A 12/1970 Bronson
3,618,249 A 11/1971 Grandy
3,830,003 A 8/1974 Clerke
3,999,461 A 12/1976 Johnson et al.

4,203,244 A 5/1980 Hickman
4,383,384 A 5/1983 Fox
4,402,152 A 9/1983 Casull
4,430,822 A 2/1984 Fromming et al.
4,651,455 A 3/1987 Geiser, Jr.
4,674,216 A 6/1987 Ruger et al.
4,685,237 A 8/1987 Hugg
4,735,007 A 4/1988 Gal
D297,855 S 9/1988 Ruger et al.
4,790,095 A 12/1988 Campos
D304,062 S * 10/1989 Barrett D22/103
D304,223 S 10/1989 Ruger et al.
4,887,374 A 12/1989 Santarossa
4,920,677 A 5/1990 Schuerman
4,944,109 A 7/1990 Zedrosser
5,020,260 A 6/1991 Houghton
5,048,215 A 9/1991 Davis
D324,557 S 3/1992 Livingston
5,149,899 A 9/1992 Dabrowski
5,173,564 A 12/1992 Hammond, Jr.
5,209,215 A 5/1993 Morrison
5,417,002 A 5/1995 Guerra
5,440,963 A 8/1995 Szecei
5,590,484 A 1/1997 Mooney et al.
5,642,581 A 7/1997 Herold et al.
5,711,102 A 1/1998 Plaster et al.
D391,334 S 2/1998 Plaster et al.
D403,043 S 12/1998 Spekner
5,900,577 A 5/1999 Robinson et al.
5,987,797 A 11/1999 Dustin
6,293,040 B1 9/2001 Luth
6,487,805 B1 12/2002 Reynolds
6,497,065 B1 12/2002 Huston
6,598,330 B2 7/2003 Garrett et al.
6,637,142 B1 10/2003 Reynolds
6,839,998 B1 1/2005 Armstrong
D510,401 S 10/2005 Murello et al.
7,024,812 B2 4/2006 Nelson
7,131,228 B2 11/2006 Hochstrate et al.
7,152,355 B2 12/2006 Fitzpatrick et al.
7,325,351 B1 2/2008 Leung
7,386,952 B1 6/2008 Henretty
7,428,795 B2 9/2008 Herring
D584,373 S * 1/2009 Young D22/103
D604,793 S * 11/2009 Fitzpatrick et al. D22/108
D610,218 S * 2/2010 Barrett D22/103
2003/0110675 A1 6/2003 Garrett et al.
2004/0000083 A1 1/2004 Grant, Jr.
2004/0211104 A1 10/2004 Eberle



2005/0000142	A1	1/2005	Kim et al.
2005/0183317	A1	8/2005	Finn
2005/0229466	A1	10/2005	Muhlestein
2005/0241211	A1	11/2005	Swan
2006/0010749	A1	1/2006	Kincel
2006/0174532	A1	8/2006	Popikow
2006/0236582	A1	10/2006	Lewis et al.
2006/0242880	A1	11/2006	Griffin
2006/0254111	A1	11/2006	Giauque et al.
2006/0277810	A1	12/2006	Leitner-Wise
2006/0283067	A1	12/2006	Herring
2007/0089347	A1	4/2007	Webber et al.
2007/0130817	A1	6/2007	Ballard
2007/0199225	A1	8/2007	Haugen
2008/0028662	A1	2/2008	Abraham et al.
2008/0168695	A1	7/2008	Nakayama
2009/0277067	A1	11/2009	Gregg
2009/0288324	A1	11/2009	Peterson et al.

FOREIGN PATENT DOCUMENTS

DE 3743092 7/1988

OTHER PUBLICATIONS

“AW Rifle System”, Sales Brochure, Accuracy International Ltd. (Apr. 7, 2006) available at http://www.accuracyinternational.com/assets/assets/aw_brochure.pdf.

“AICS (Accuracy International Chassis System) Upgrade Kit for Remington 700”, Sales Brochure, Accuracy International Ltd. (Apr. 7, 2006) available at http://www.accuracyinternational.com/assets/assets/aics_brochure.pdf.

“Tinnerwolf 338 Lapua”, Webpage, Colt Canada Corp. (Jun. 25, 2007) available at <http://www.coltcanada.com/timberwolf-page.htm>.

“Colt Canada”, Sales Catalog, Colt Canada Corp. (Feb. 21, 2008) available at <http://www.coltcanada.com/PDF%20Forms/CC-cat-web.pdf>.

“Owner’s and Maintenance Manual for Sako TRG 22/42 Sharpshooting System”, Owner’s Manual, Sako Ltd (Sep. 2, 1993) available at http://www.sako.fi/pdf/manuals/TRG22_42.pdf.

“Specification—Sako TRG Sharpshooting System”, Specification, Sako Ltd. (Sep. 28, 2001) available at <http://www.sako.fi/pdf/specs/TRG.pdf>.

“Specification—Sako TRG Sharpshooting System”, Specification, Sako Ltd. (Dec. 19, 2008) available at <http://www.sako.fi/pdf/specs/TRG.pdf>.

“Hecate II: Long-Range Anti-Material Rifle”, Sales Brochure, PGM Precision (Dec. 12, 2008) available at http://www.pgmprecision.com/uploads/pdf/hecate_2008_en.pdf.

“A.M.S.D. Sniper Rifle”, Specification, Advanced Military System Design (Apr. 21, 2006) available at <http://www.amsd.ch/products/nemesis/om50nemesis.pdf>.

“Sako Export 2008”, Sales Catalog, 2008, Sako Ltd. (Apr. 1, 2008) available at http://www.sako.fi/pdf/sako_export_2008.pdf.

“JP MOR-07 Manually Operated Rifle”, Webpage, J.P. Enterprises, Inc. (Jan. 5, 2007) available at <http://www.jp Rifles.com/1.2.6.php>.

“MBAR”, Webpage, Halo Arms, LLC (Dec. 12, 2006) available at <http://www.haloarms.com/MBAR.html>.

“MP-MODSS (Mcree’s Precision Modular Stock System)”, Webpage, McCree’s Multi Services (Aug. 16, 2007) available at <http://www.mcreeprecision.net/index.htm>.

“A.R.M.S. #50 M-CV, and #58 M-CV Mod Sir System”, Sales Brochure, A.R.M.S., Inc. (Nov. 5, 2009) available at [http://www.armsmounts.com/manuals/50M-CV %20Manual.pdf](http://www.armsmounts.com/manuals/50M-CV%20Manual.pdf).

* cited by examiner

Primary Examiner—Michael A. Pratt
(74) *Attorney, Agent, or Firm*—Troutman Sanders LLP;
Robert R. Elliott, Jr.

(57) CLAIM

The ornamental design for a modular carbon fore end system for tactical firearms, as shown and described.

DESCRIPTION

FIG. 1 illustrates a perspective view of a new design for a modular carbon fiber for end system for tactical rifles depicting a modular for end with a plurality of co-bore aligned accessory mounting rails;

FIG. 2 illustrates a rear view of a new design for a modular carbon fiber for end system for tactical rifles depicting a modular for end with a plurality of co-bore aligned accessory mounting rails;

FIG. 3 illustrates a front view of a new design for a modular carbon fiber for end system for tactical rifles depicting a modular for end with a plurality of co-bore aligned accessory mounting rails;

FIG. 4 illustrates a side view of a new design for a modular carbon fiber for end system for tactical rifles depicting a modular for end with a plurality of co-bore aligned accessory mounting rails;

FIG. 5 illustrates a side view of a new design for a modular carbon fiber for end system for tactical rifles depicting a modular for end with a plurality of co-bore aligned accessory mounting rails;

FIG. 6 illustrates a top view of a new design for a modular carbon fiber for end system for tactical rifles depicting a modular for end with a plurality of co-bore aligned accessory mounting rails;

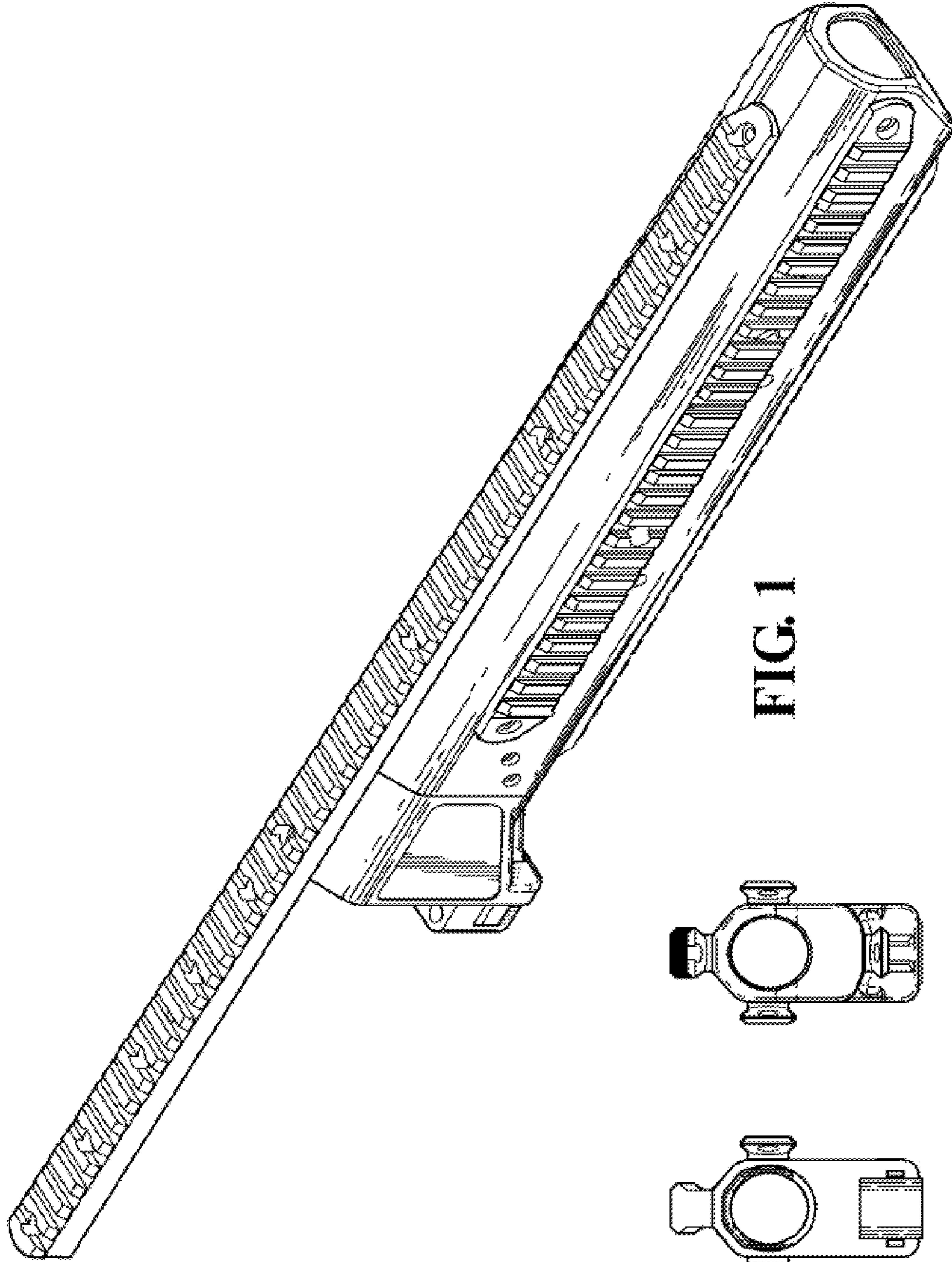
FIG. 7 illustrates a bottom view of a new design for a modular carbon fiber for end system for tactical rifles depicting a modular for end with a plurality of co-bore aligned accessory mounting rails;

FIG. 8 illustrates a perspective, side view of a new design for a modular carbon fiber for end system for tactical rifles depicting a modular for end with a plurality of co-bore aligned accessory mounting rails; and,

FIG. 9 illustrates a side view of a new design for a modular carbon fiber for end system for tactical rifles depicting a modular for end with a plurality of co-bore aligned accessory mounting rails.

The broken, dashed lines shown in the various figures depicting embodiments of the invention are included for the purpose of illustrating environment and do not form any part of the claimed design.

1 Claim, 5 Drawing Sheets



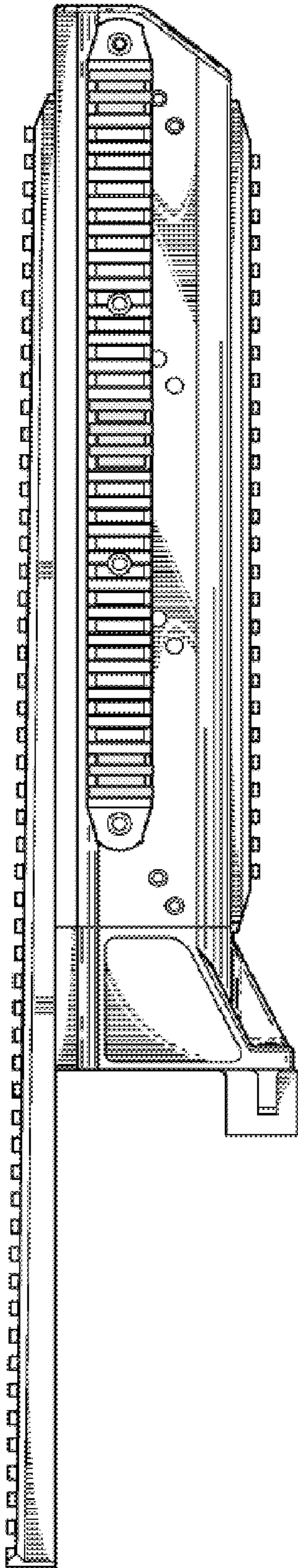


FIG. 4

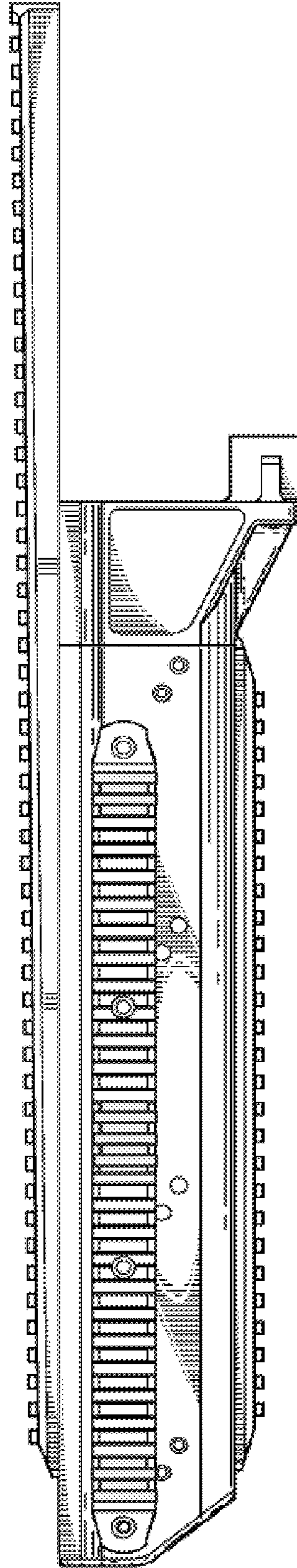


FIG. 5

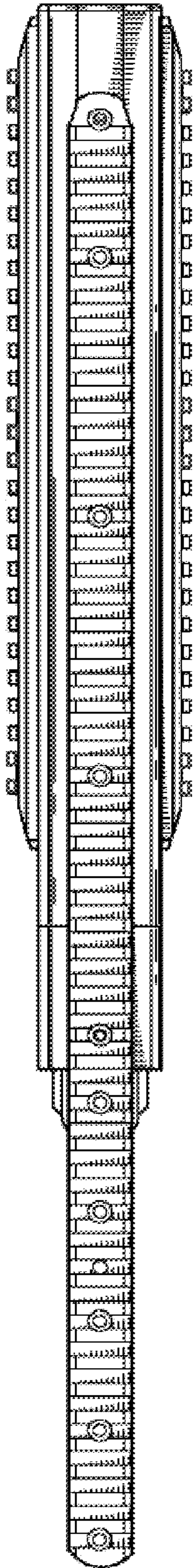


FIG. 6

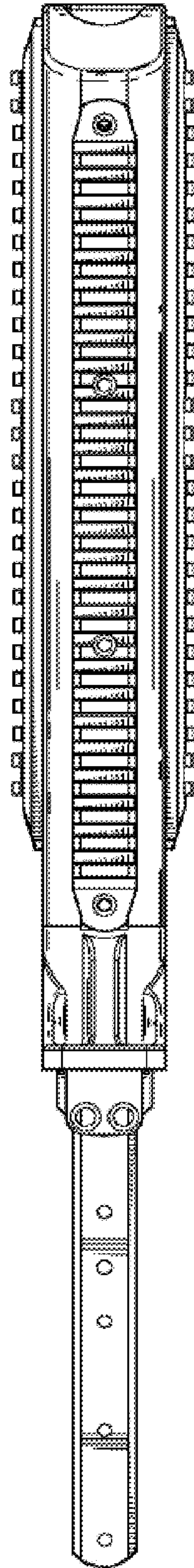


FIG. 7

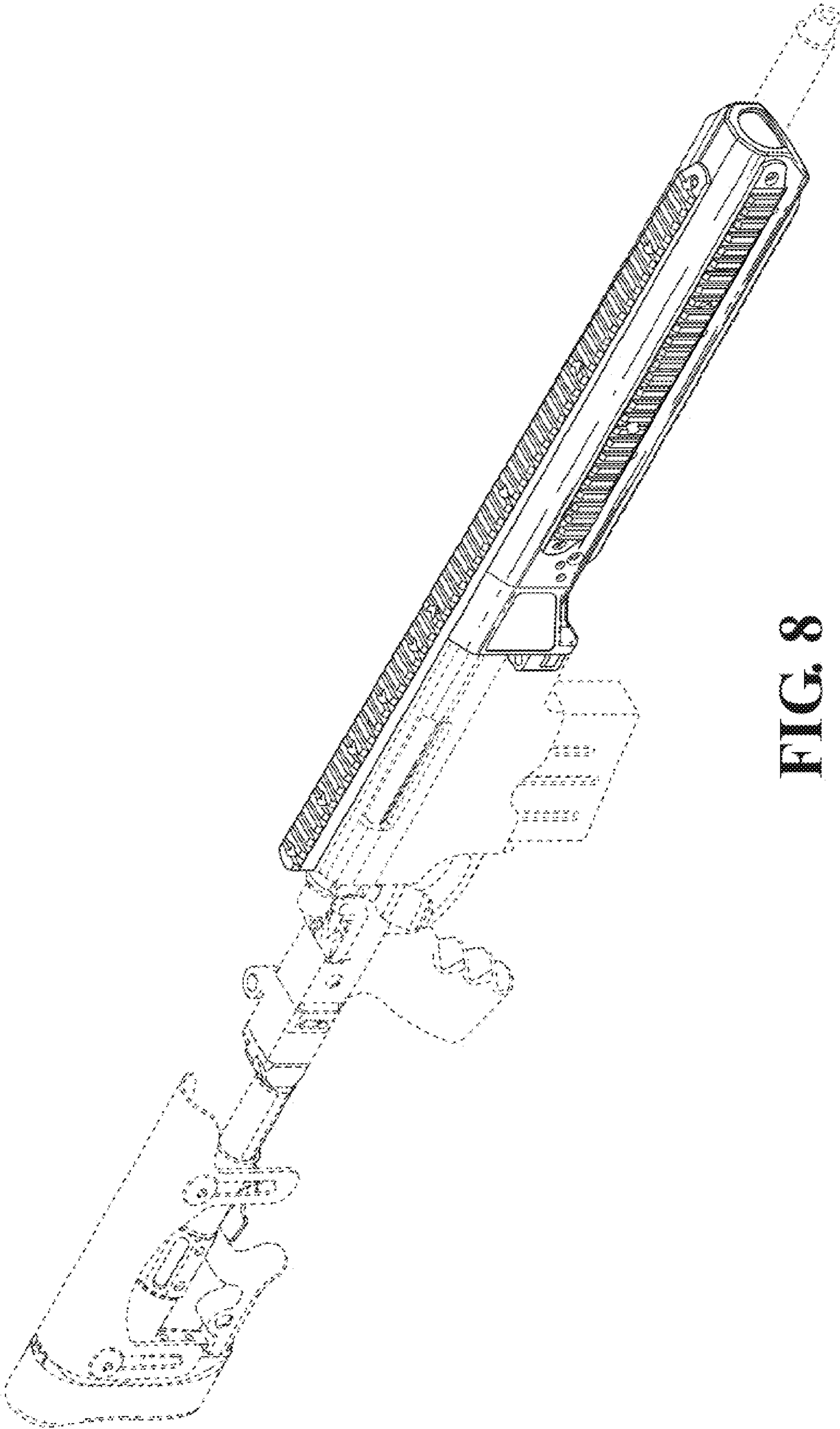


FIG. 8

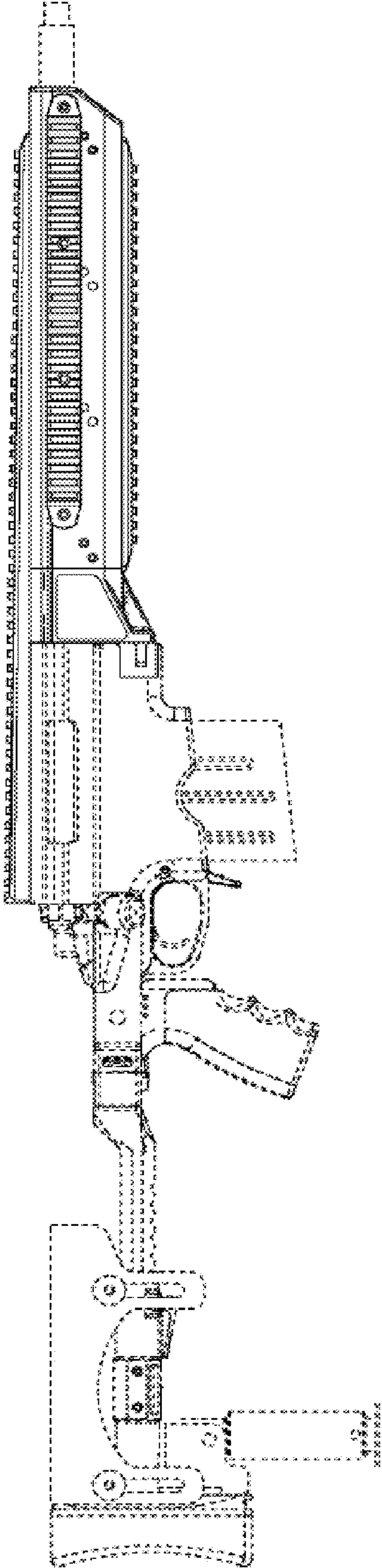


FIG. 9