



US00D630697S

(12) **United States Design Patent**
Greenfield

(10) **Patent No.:** **US D630,697 S**

(45) **Date of Patent:** **** Jan. 11, 2011**

(54) **SNOWBOARD WITH ADJUSTABLE
REMOVABLE HANDLE**

7,246,804 B2 7/2007 Onoguchi
D567,712 S * 4/2008 Brazier D12/8
2005/0225042 A1 10/2005 Liu

(76) Inventor: **Gregory L. Greenfield**, P.O. Box 97, Ski
House La., Government Camp, OR (US)
97028

OTHER PUBLICATIONS

WWW.BRANDSONSALE.COM; Snow Scooter Snowboard; as of
Jul. 7, 2010.
WWW.SPORTSMANSGUIDE.COM; Sno-Jack Snow Scooter; as
of Jul. 7, 2010.
WWW.SPORTSGIFTS.COM; space scooter snowboard; as of Jul. 7,
2010.

(**) Term: **14 Years**

* cited by examiner

(21) Appl. No.: **29/365,368**

(22) Filed: **Jul. 8, 2010**

(51) **LOC (9) Cl.** **21-02**

Primary Examiner—Janice E Seeger

(52) **U.S. Cl.** **D21/760**

Assistant Examiner—Zenia I Bennett

(58) **Field of Classification Search** D21/760,
D21/761, 765, 766, 768–777, 801, 803; 441/65–66,
441/68–69, 72–75, 79

(57) **CLAIM**

See application file for complete search history.

The ornamental design for a snowboard with adjustable
removable handle, as shown and described.

(56) **References Cited**

DESCRIPTION

U.S. PATENT DOCUMENTS

D250,610	S	12/1978	Wynn	
4,129,313	A *	12/1978	Benson	280/14.27
4,533,150	A	8/1985	Hardy	
4,775,162	A *	10/1988	Chao	280/87.041
5,165,711	A *	11/1992	Tsai	280/87.041
D440,607	S *	4/2001	Mahlow	D21/424
D442,247	S *	5/2001	Koester et al.	D21/760
6,345,843	B1	2/2002	Barnes	
D456,047	S *	4/2002	Mandic	D21/423
D460,510	S	7/2002	Rawcliffe	
6,923,455	B2 *	8/2005	Sullivan	280/14.27
6,929,267	B2 *	8/2005	Sullivan et al.	280/14.28
D514,186	S *	1/2006	Hazlett	D21/765
6,997,465	B2	2/2006	Jungnickel	
D530,765	S *	10/2006	Rojas	D21/760
7,137,925	B2	11/2006	Rozycki et al.	

FIG. 1 is a perspective view of a snowboard with adjustable
removable handle showing my new design;

FIG. 2 is a side view (opposite side view is mirror image)
thereof;

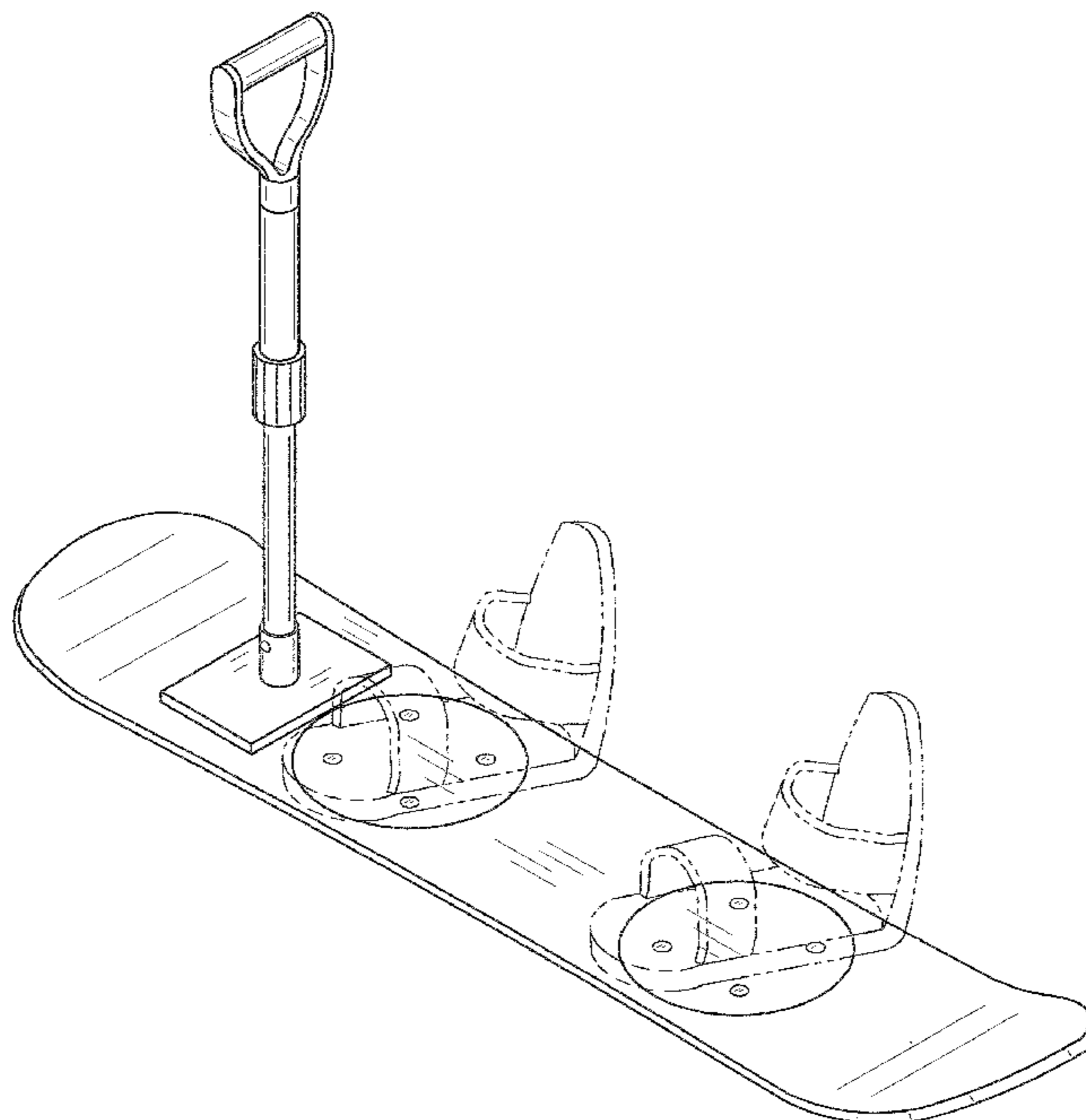
FIG. 3 is a front view (back view is mirror image) thereof;

FIG. 4 is a top view thereof; and,

FIG. 5 is an bottom view thereof.

In FIG. 1, the broken lines showing of environmental struc-
ture for purposes of illustrating the snowboard with adjust-
able removable handle in a condition of use. The broken lines
and the structure they depict form no part of the claimed
design.

1 Claim, 4 Drawing Sheets



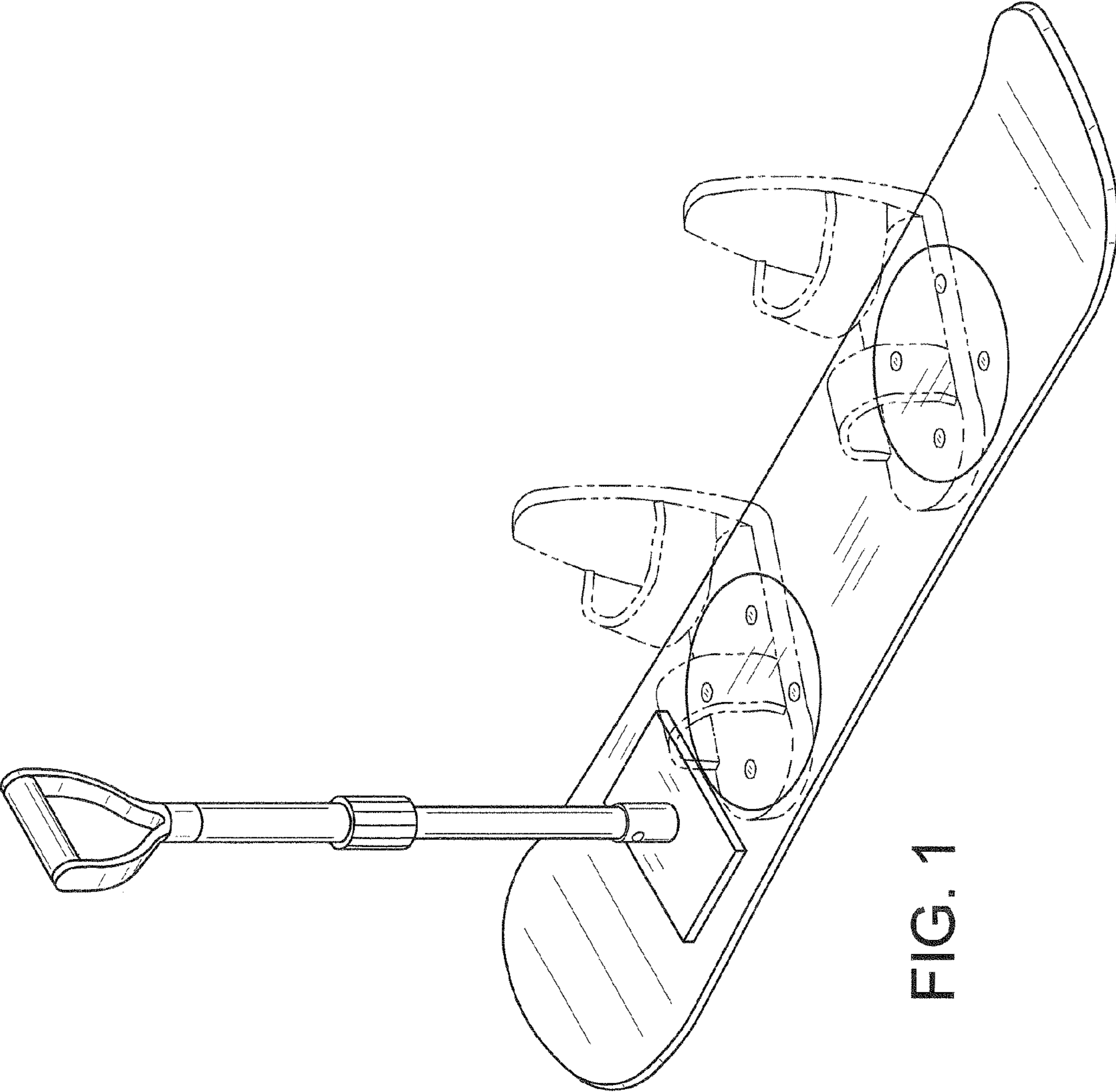


FIG. 1

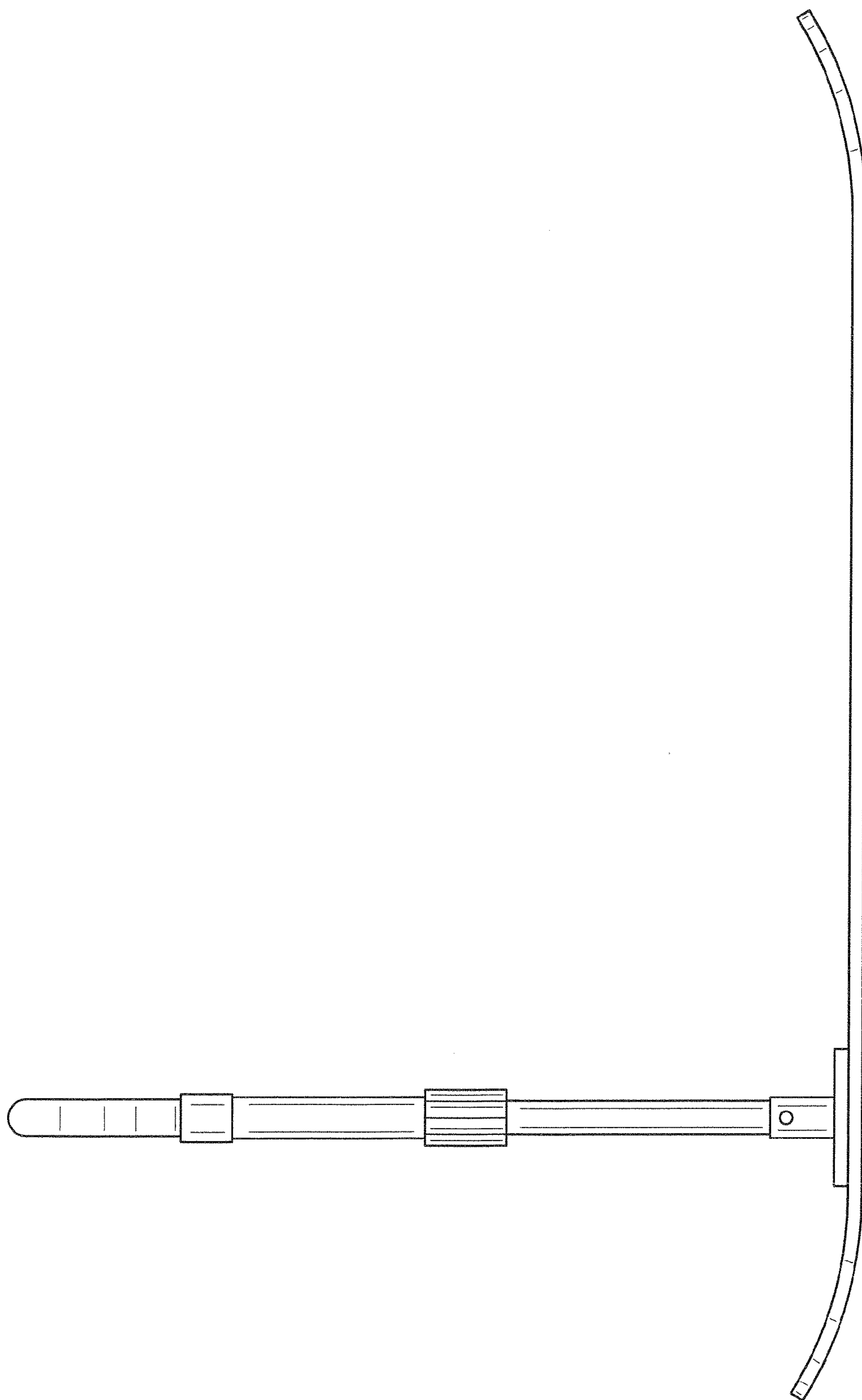
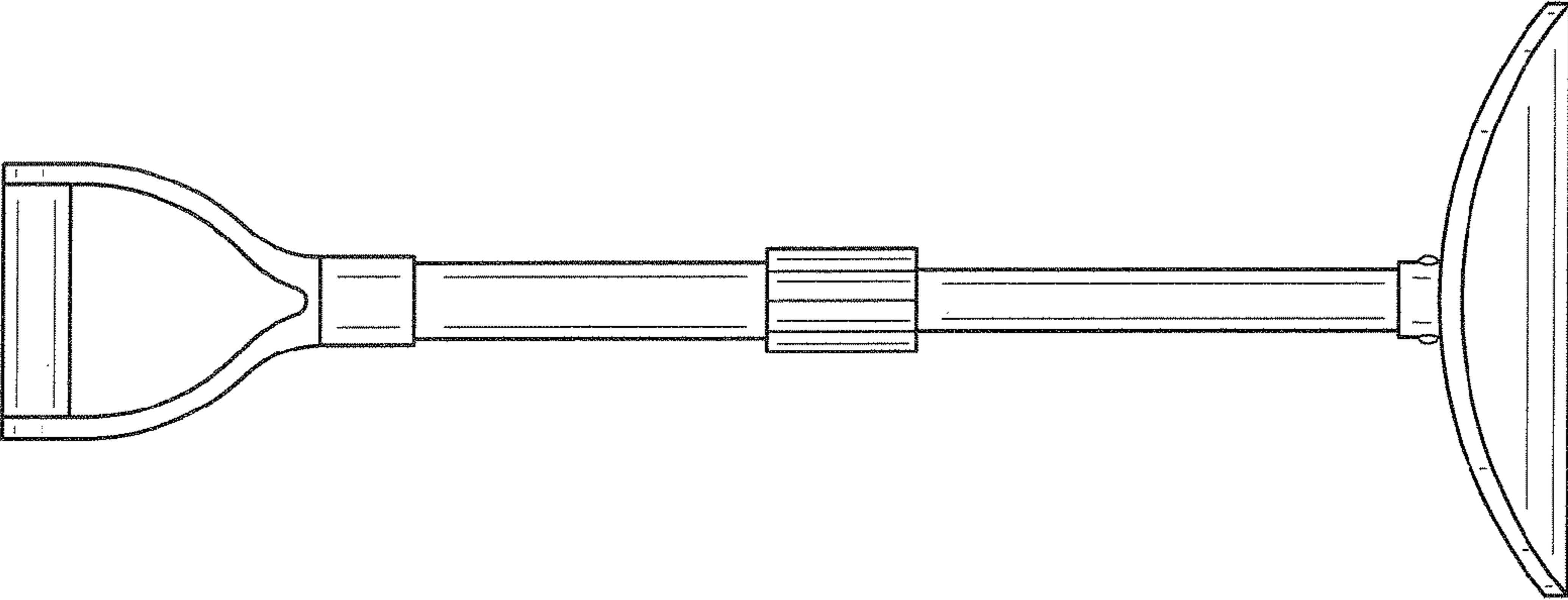


FIG. 2

FIG. 3



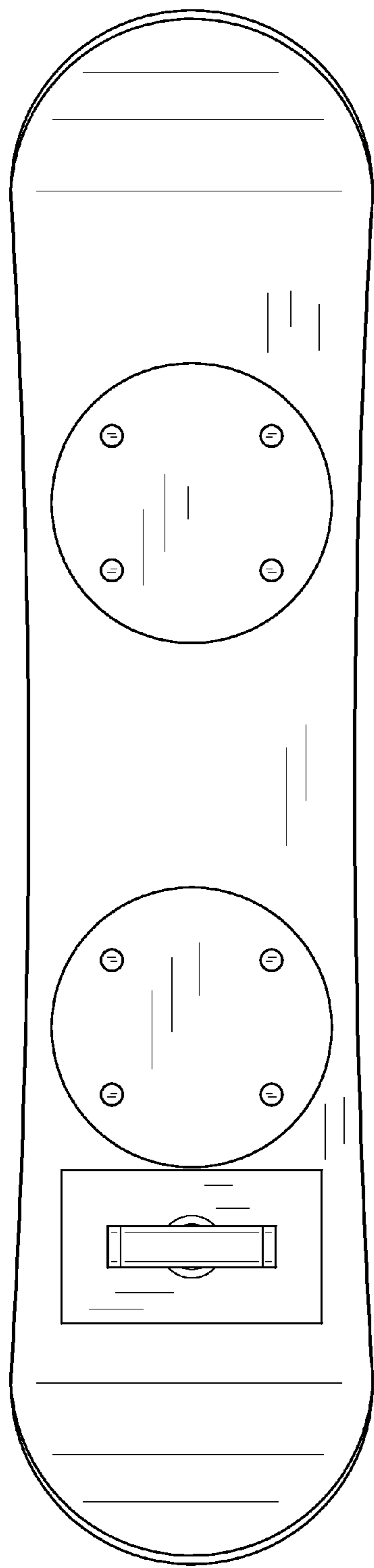


FIG. 4

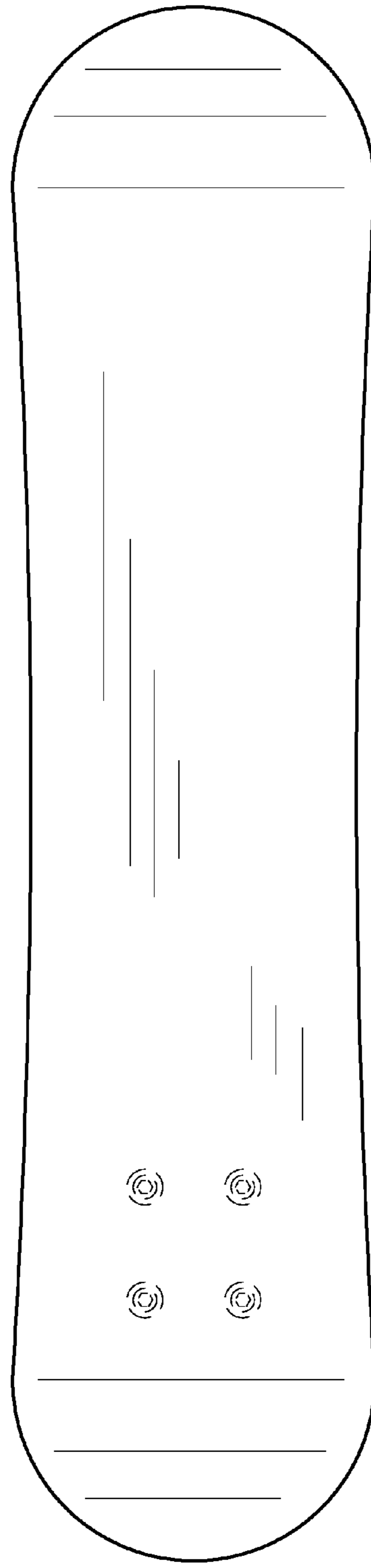


FIG. 5