



US00D630690S

(12) **United States Design Patent**
Rollinson

(10) **Patent No.:** **US D630,690 S**
(45) **Date of Patent:** **** Jan. 11, 2011**

(54) **PUTTER HEAD**

(75) Inventor: **Augustin W. Rollinson**, Carlsbad, CA
(US)

(73) Assignee: **Callaway Golf Company**, Carlsbad, CA
(US)

(**) Term: **14 Years**

(21) Appl. No.: **29/354,272**

(22) Filed: **Jan. 21, 2010**

(51) **LOC (9) Cl.** **21-02**

(52) **U.S. Cl.** **D21/746**

(58) **Field of Classification Search** D21/736-746,
D21/759; 473/324-331, 251-256, 340-341
See application file for complete search history.

(56) **References Cited**

U.S. PATENT DOCUMENTS

D496,417 S *	9/2004	Tang	D21/738
D500,110 S *	12/2004	Solheim et al.	D21/742
D513,048 S *	12/2005	Garner et al.	D21/743
D532,843 S *	11/2006	Jones et al.	D21/736
D533,609 S *	12/2006	Moore et al.	D21/742
D537,135 S *	2/2007	Rollinson et al.	D21/742
D545,385 S *	6/2007	Tang et al.	D21/736

D557,361 S *	12/2007	Rollinson	D21/743
D571,879 S *	6/2008	Jones et al.	D21/736
D572,780 S *	7/2008	Rollinson	D21/744
D574,907 S *	8/2008	Jones et al.	D21/736
D575,366 S *	8/2008	Rollinson	D21/744
D592,717 S *	5/2009	Rollinson	D21/742
D595,793 S *	7/2009	Rollinson	D21/736
D619,665 S *	7/2010	Rollinson et al.	D21/742

* cited by examiner

Primary Examiner—Mitchell I Siegel

(74) *Attorney, Agent, or Firm*—Michael A. Catania

(57) **CLAIM**

The ornamental design for a putter head, as shown and described.

DESCRIPTION

FIG. 1 is a top plan view of a putter head;

FIG. 2 is a bottom plan view thereof;

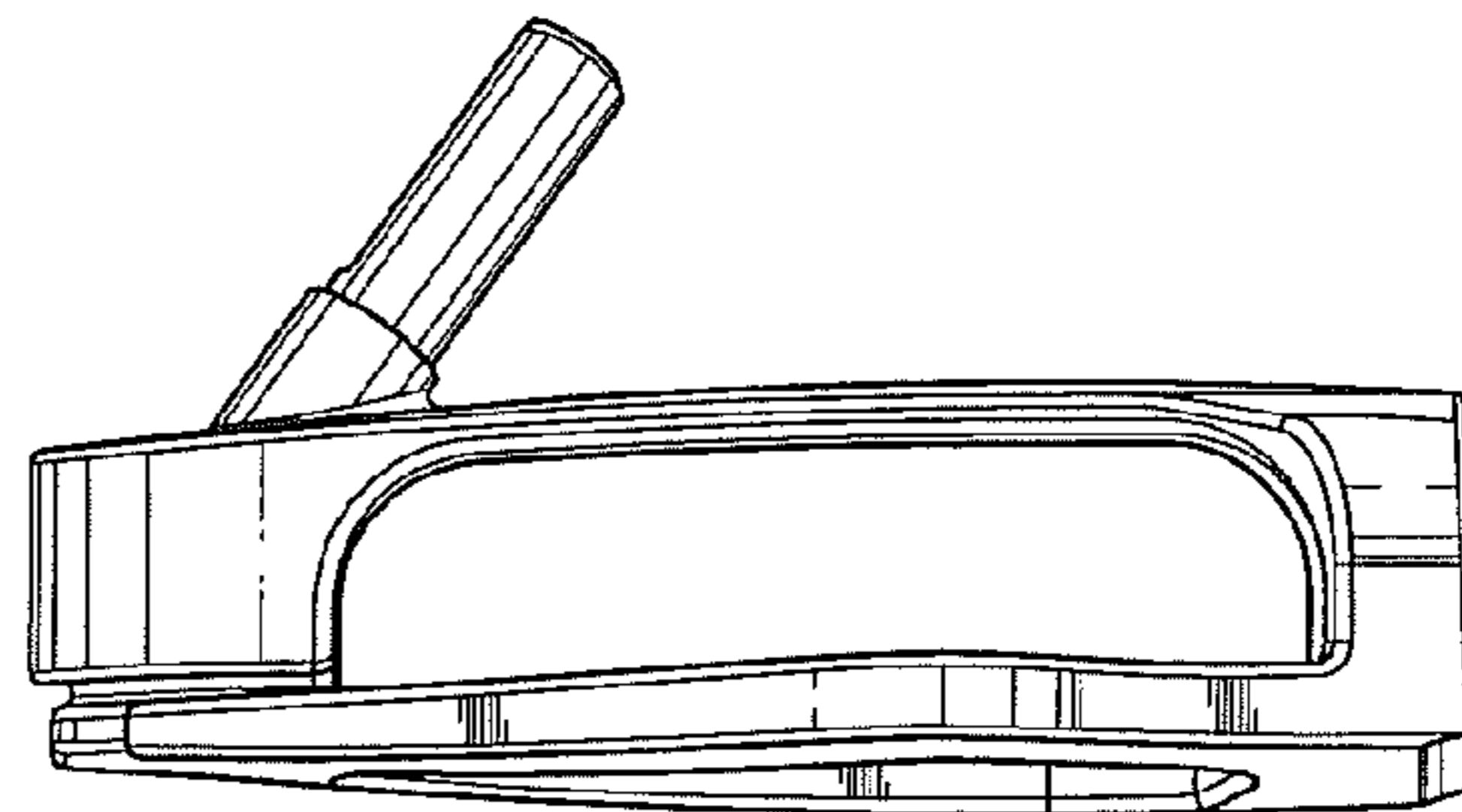
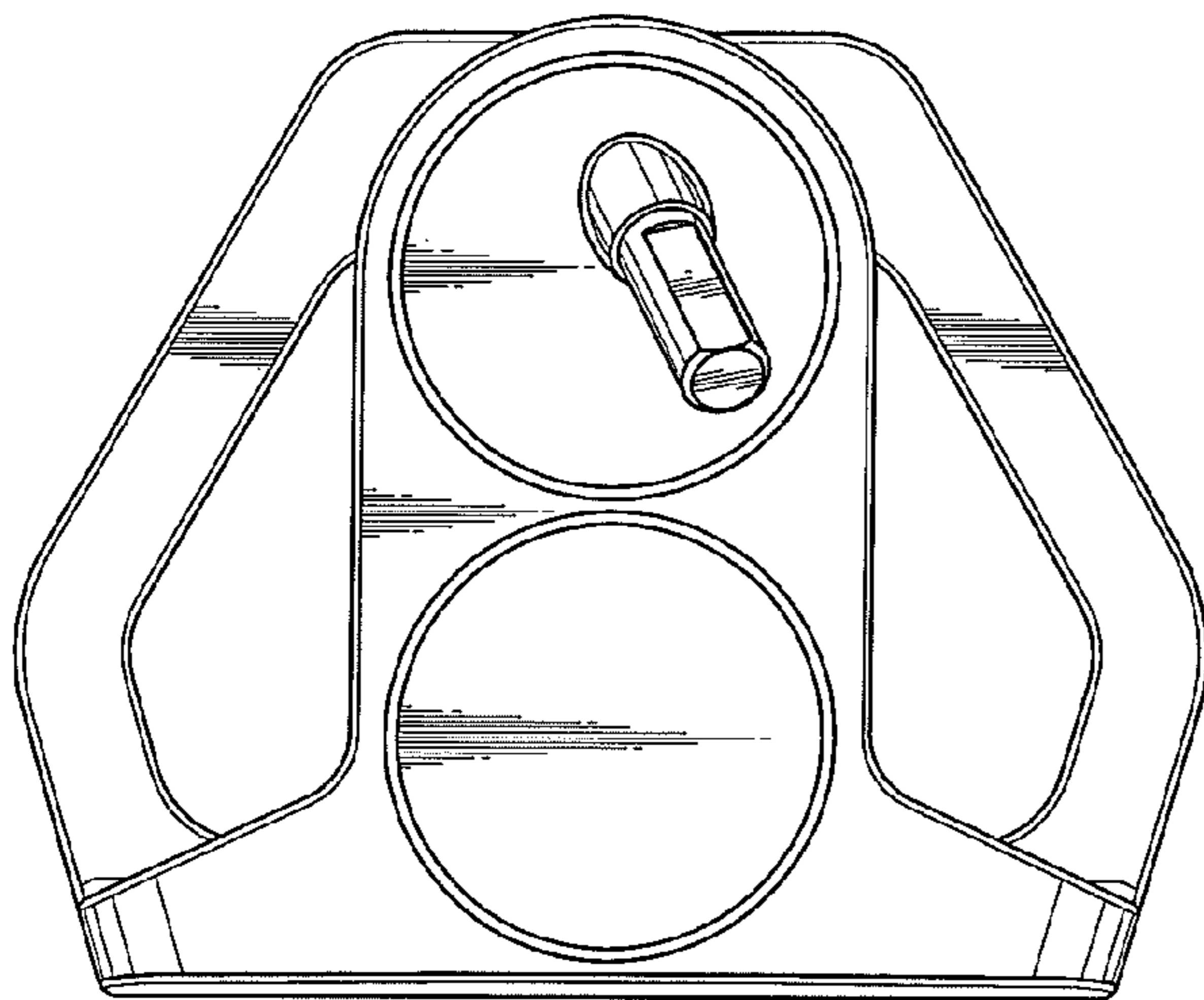
FIG. 3 is a front view thereof;

FIG. 4 is a rear perspective view thereof;

FIG. 5 is a heel perspective view thereof; and,

FIG. 6 is a toe perspective view thereof.

1 Claim, 3 Drawing Sheets



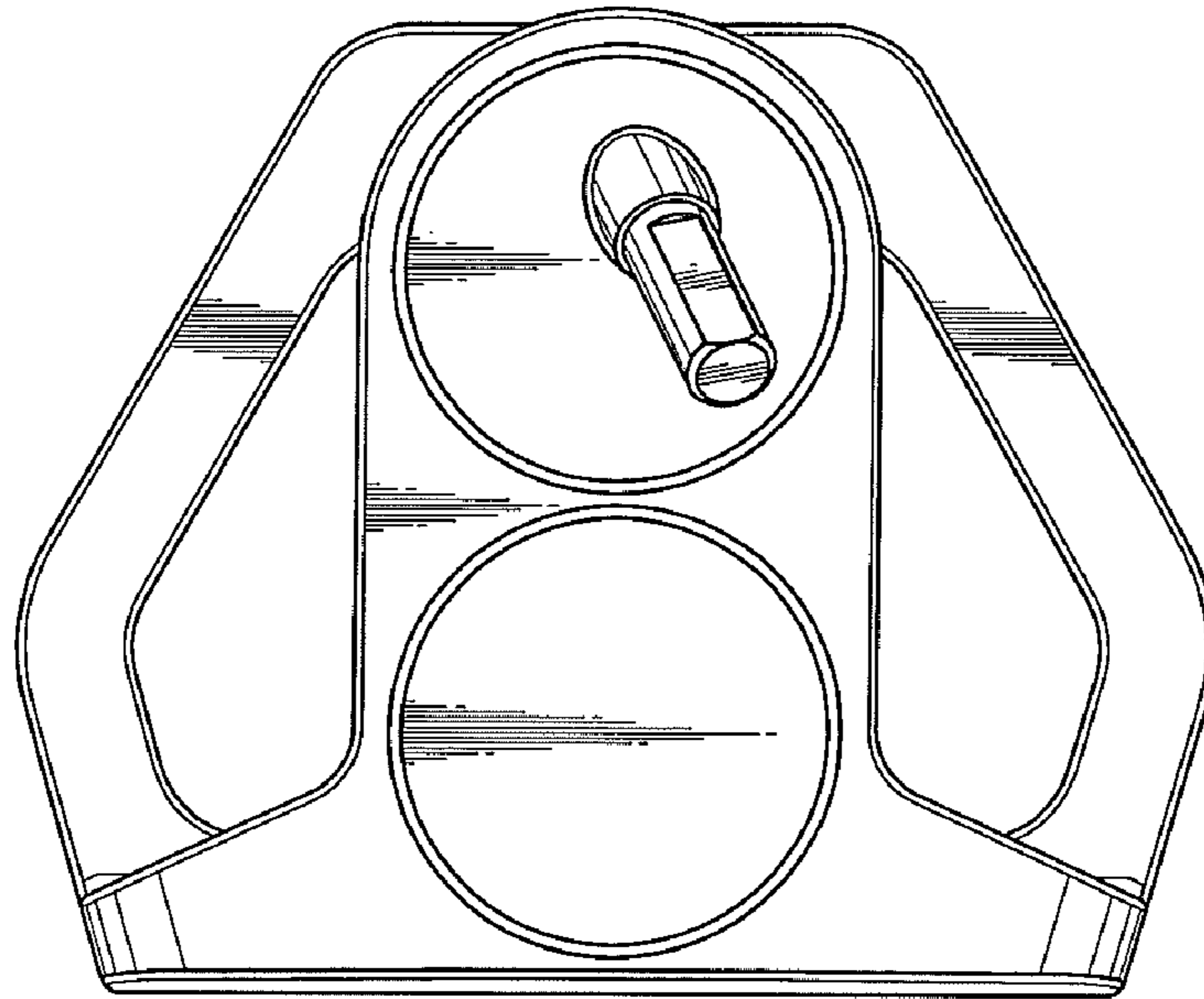


FIG. 1

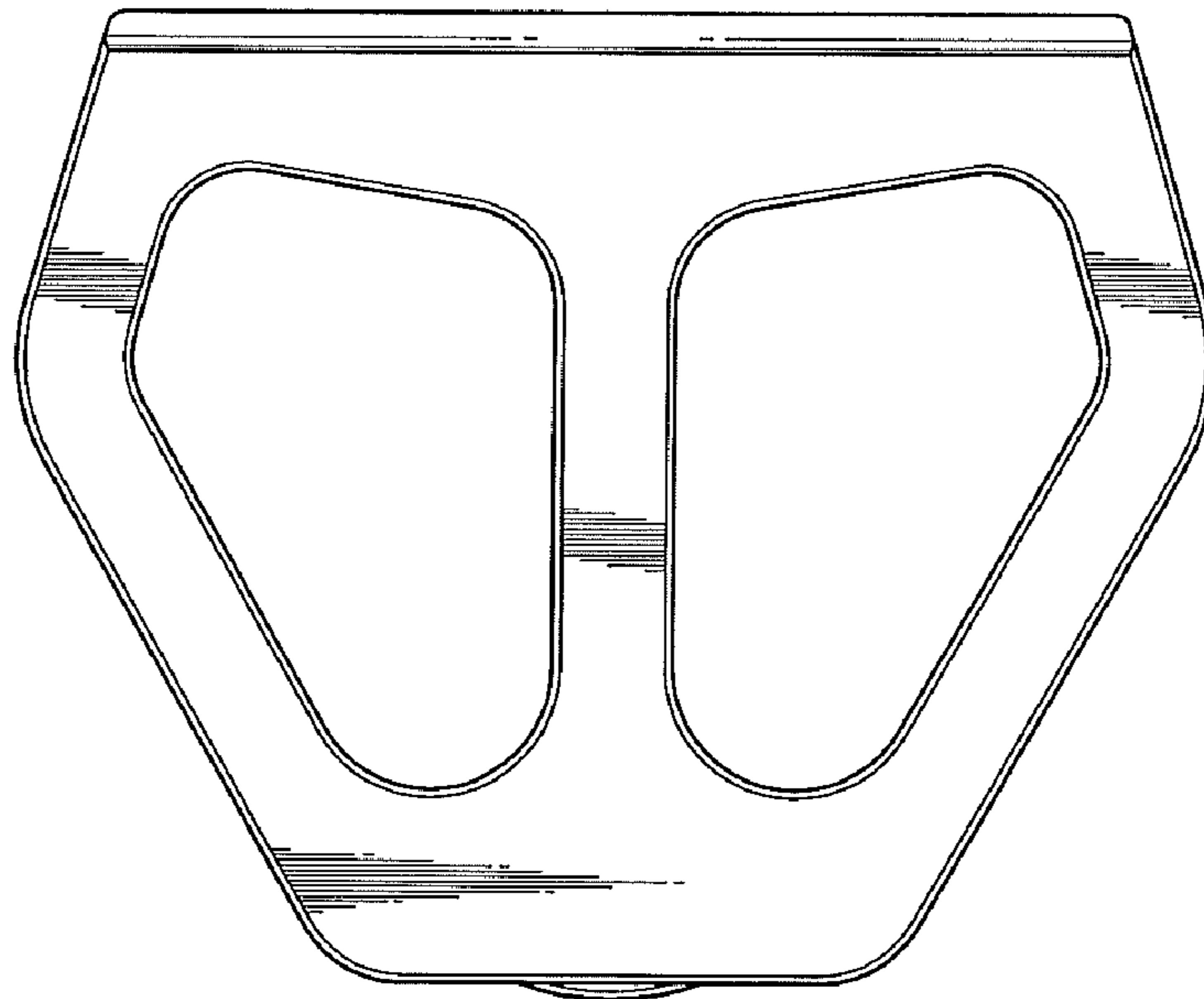


FIG. 2

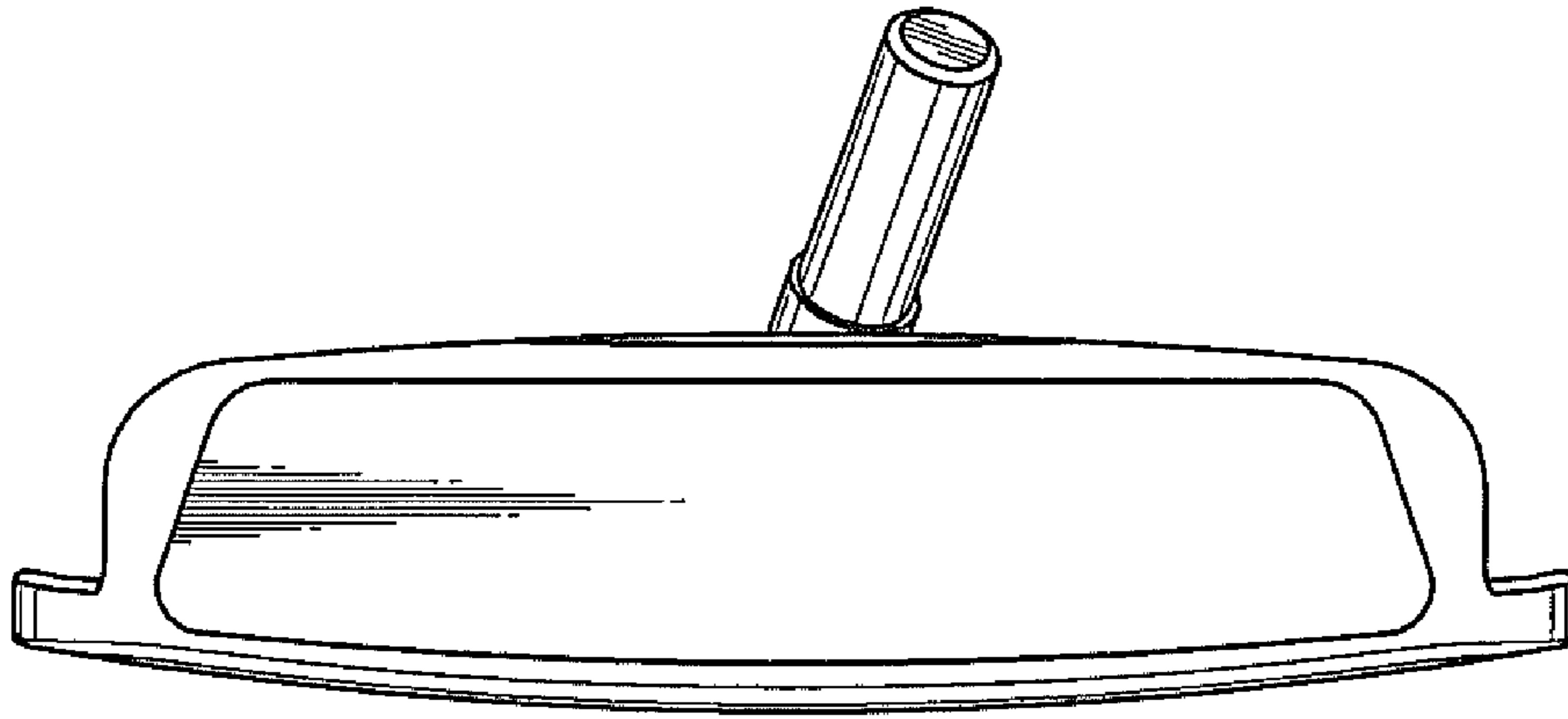


FIG. 3

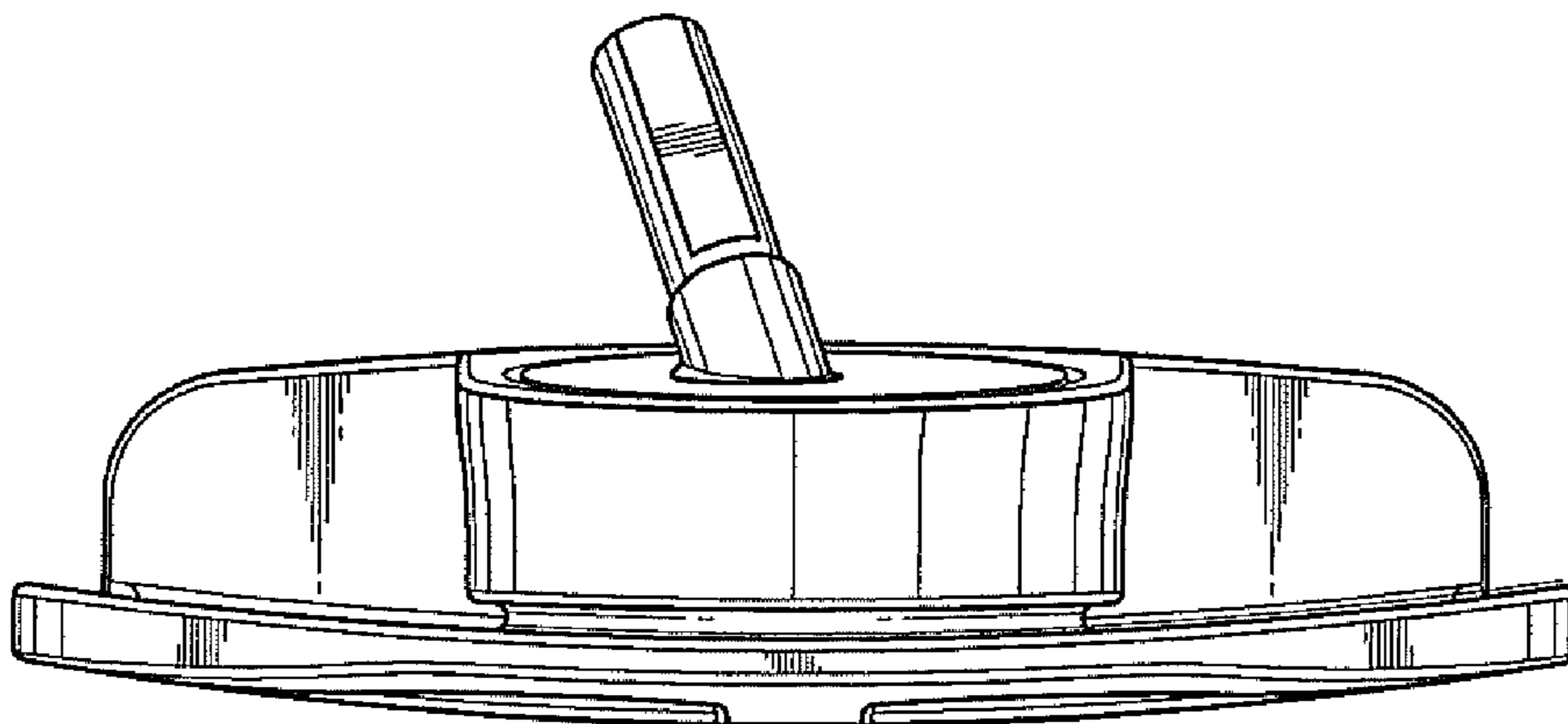


FIG. 4

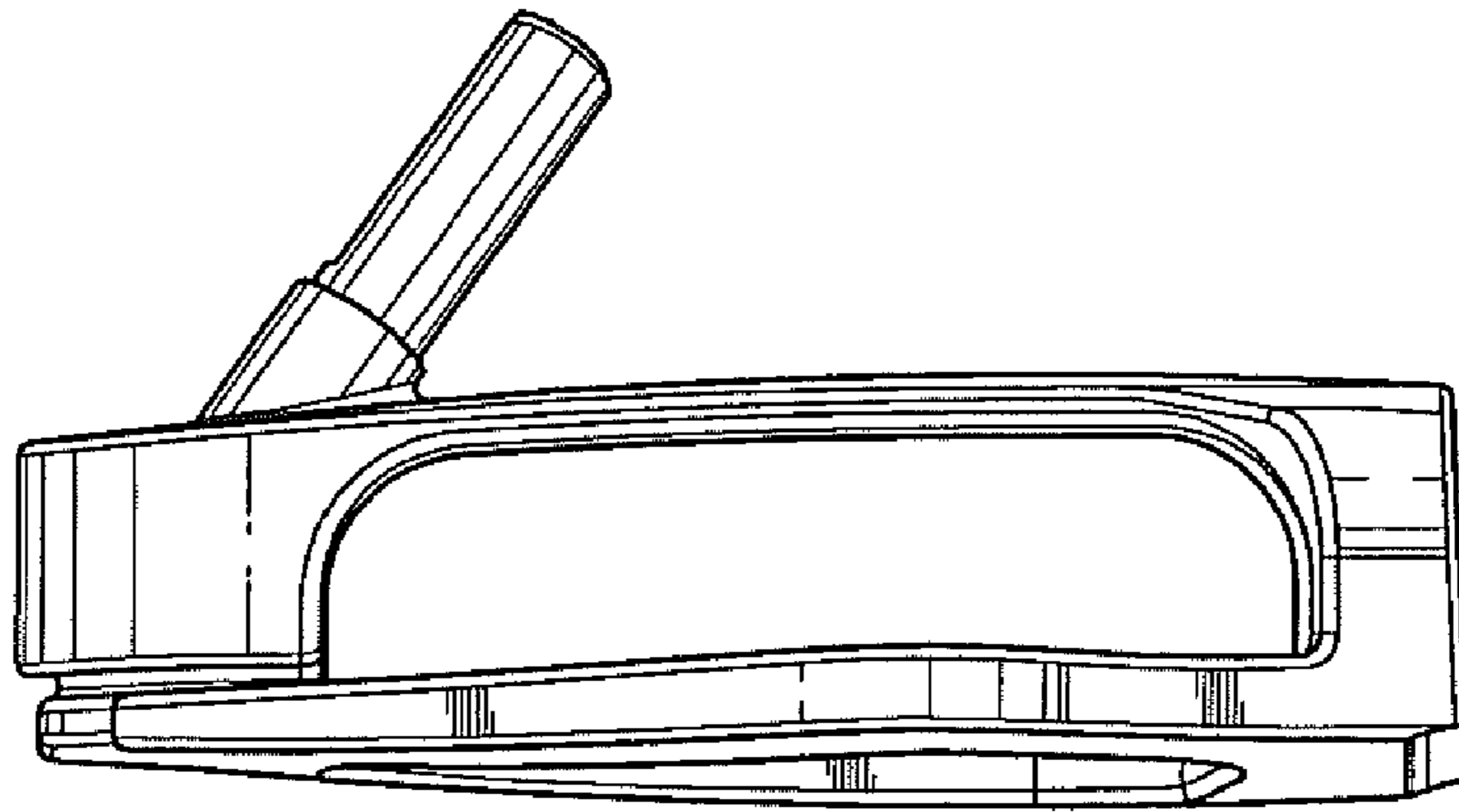


FIG. 5

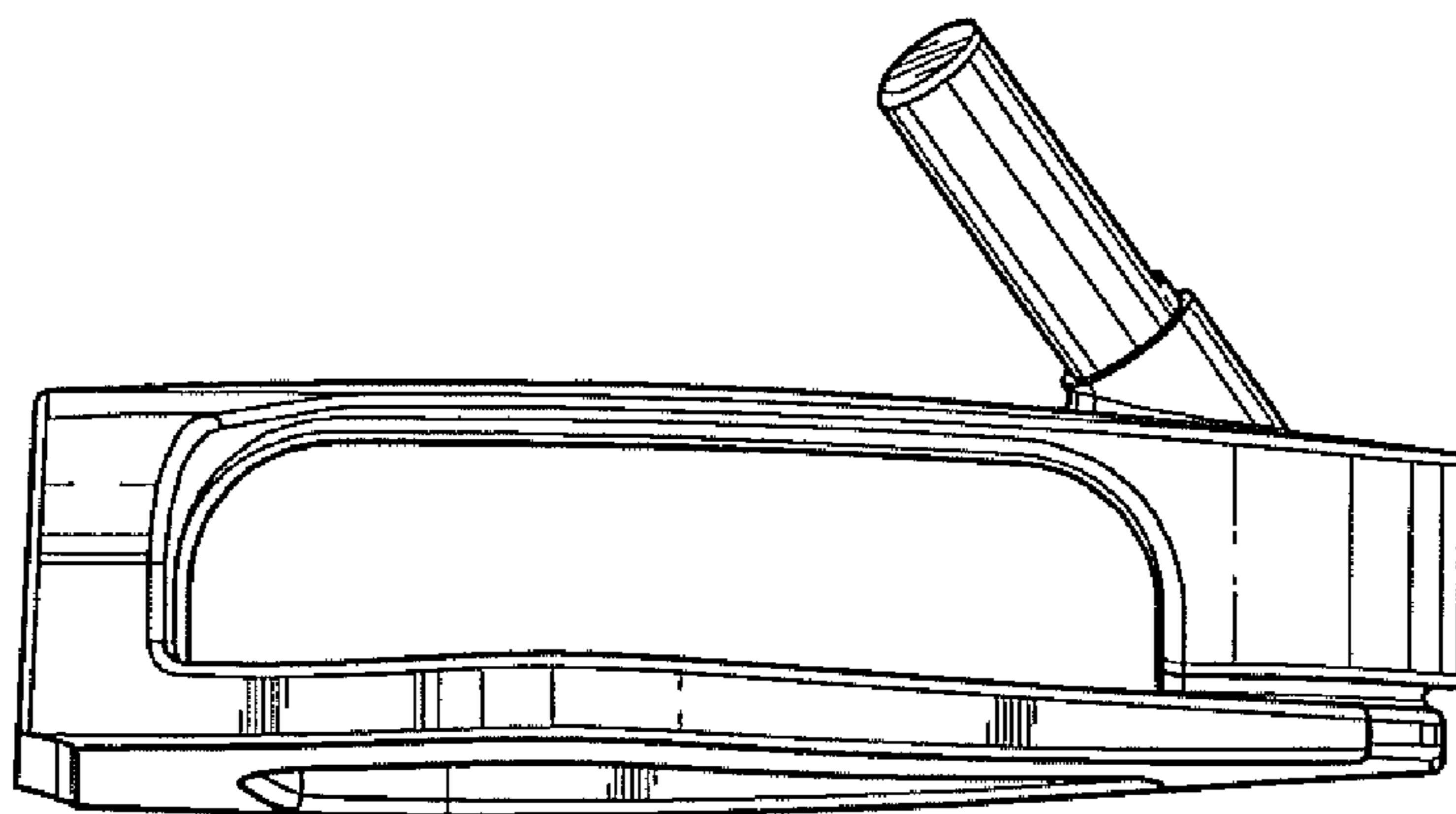


FIG. 6