



US00D630686S

(12) **United States Design Patent**
Flick et al.

(10) **Patent No.:** **US D630,686 S**

(45) **Date of Patent:** **** Jan. 11, 2011**

(54) **EXERCISE APPARATUS**

(75) Inventors: **Edward L. Flick**, Portland, OR (US);
Howard G. Nuk, San Francisco, CA (US); **Cormac N. Eubanks**, San Francisco, CA (US); **Remy D. Labesque**, San Francisco, CA (US); **Anthony J. Meredith**, San Francisco, CA (US)

(73) Assignee: **Nautilus, Inc.**, Vancouver, WA (US)

(**) Term: **14 Years**

(21) Appl. No.: **29/344,534**

(22) Filed: **Sep. 30, 2009**

(51) **LOC (9) Cl.** **21-02**

(52) **U.S. Cl.** **D21/669; D21/694**

(58) **Field of Classification Search** D21/662,
D21/669, 668, 670, 694; 482/54, 51, 52,
482/70; 119/700

See application file for complete search history.

(56) **References Cited**

U.S. PATENT DOCUMENTS

D266,443 S *	10/1982	Summerlot	D21/669
D303,556 S *	9/1989	Trulaske et al.	D21/669
D321,734 S *	11/1991	Dunham et al.	D21/669
D361,807 S *	8/1995	Bartlett	D21/669
D421,779 S *	3/2000	Piaget et al.	D21/669
D424,137 S *	5/2000	Barker et al.	D21/669
D447,780 S *	9/2001	Arnold et al.	D21/669
D458,654 S *	6/2002	Kiiski et al.	D21/669
6,652,427 B2 *	11/2003	Wroclawsky	482/111
7,033,306 B2 *	4/2006	Graber	482/57
7,156,777 B2 *	1/2007	Dyer et al.	482/54

7,704,191 B2 * 4/2010 Smith et al. 482/51

* cited by examiner

Primary Examiner—Susan E Krakower

(74) *Attorney, Agent, or Firm*—Dorsey & Whitney LLP

(57) **CLAIM**

The ornamental design for an exercise apparatus, as shown and described.

DESCRIPTION

FIG. 1 is a front isometric view of an exercise apparatus of the present invention, with the broken lines defining the bounds of the exercise apparatus and forming no part of the claimed design;

FIG. 2 is a rear isometric view of the exercise apparatus of FIG. 1, with the broken lines defining the bounds of the exercise apparatus and forming no part of the claimed design;

FIG. 3 is a front view of the exercise apparatus of FIG. 1, with the broken lines defining the bounds of the exercise apparatus and forming no part of the claimed design;

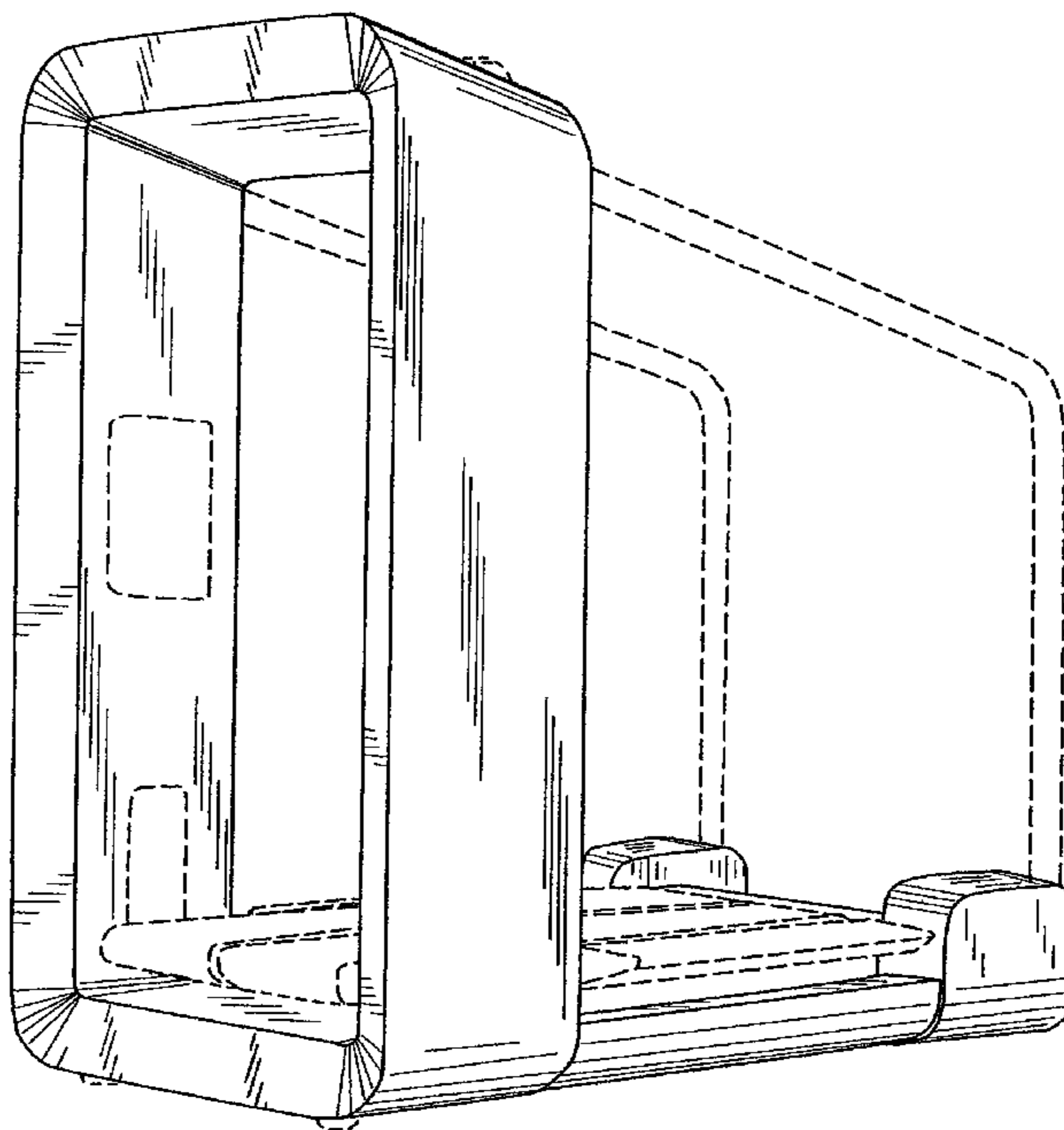
FIG. 4 is a left elevation view of the exercise apparatus of FIG. 1, with the broken lines defining the bounds of the exercise apparatus and forming no part of the claimed design;

FIG. 5 is a rear elevation view of the exercise apparatus of FIG. 1, with the broken lines defining the bounds of the exercise apparatus and forming no part of the claimed design; and,

FIG. 6 is a top view of the exercise apparatus of FIG. 1, with the broken lines defining the bounds of the exercise apparatus and forming no part of the claimed design.

The right elevation view of the exercise apparatus of FIG. 1 is a mirror image of the left elevation view.

1 Claim, 4 Drawing Sheets



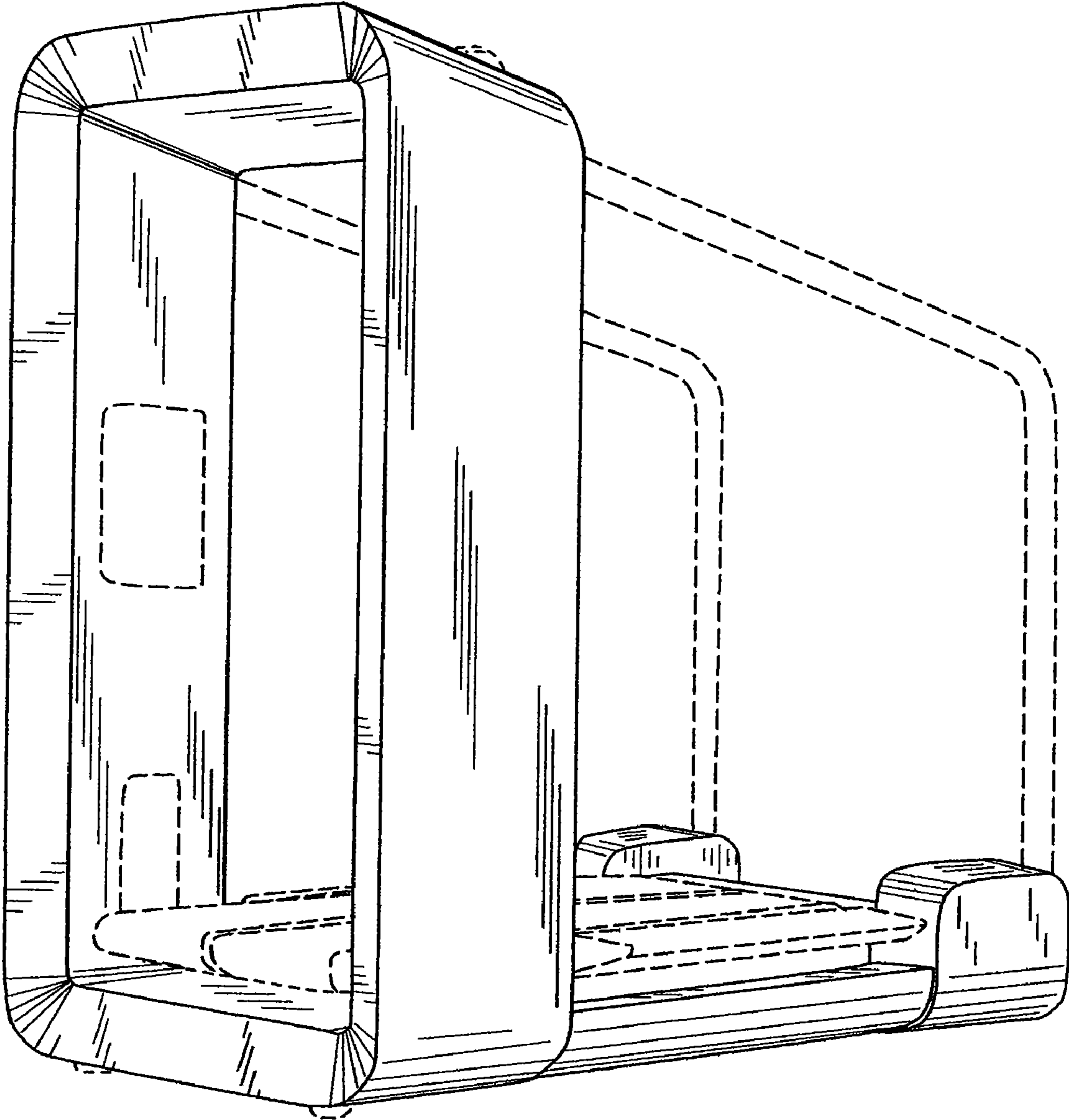


Fig. 1

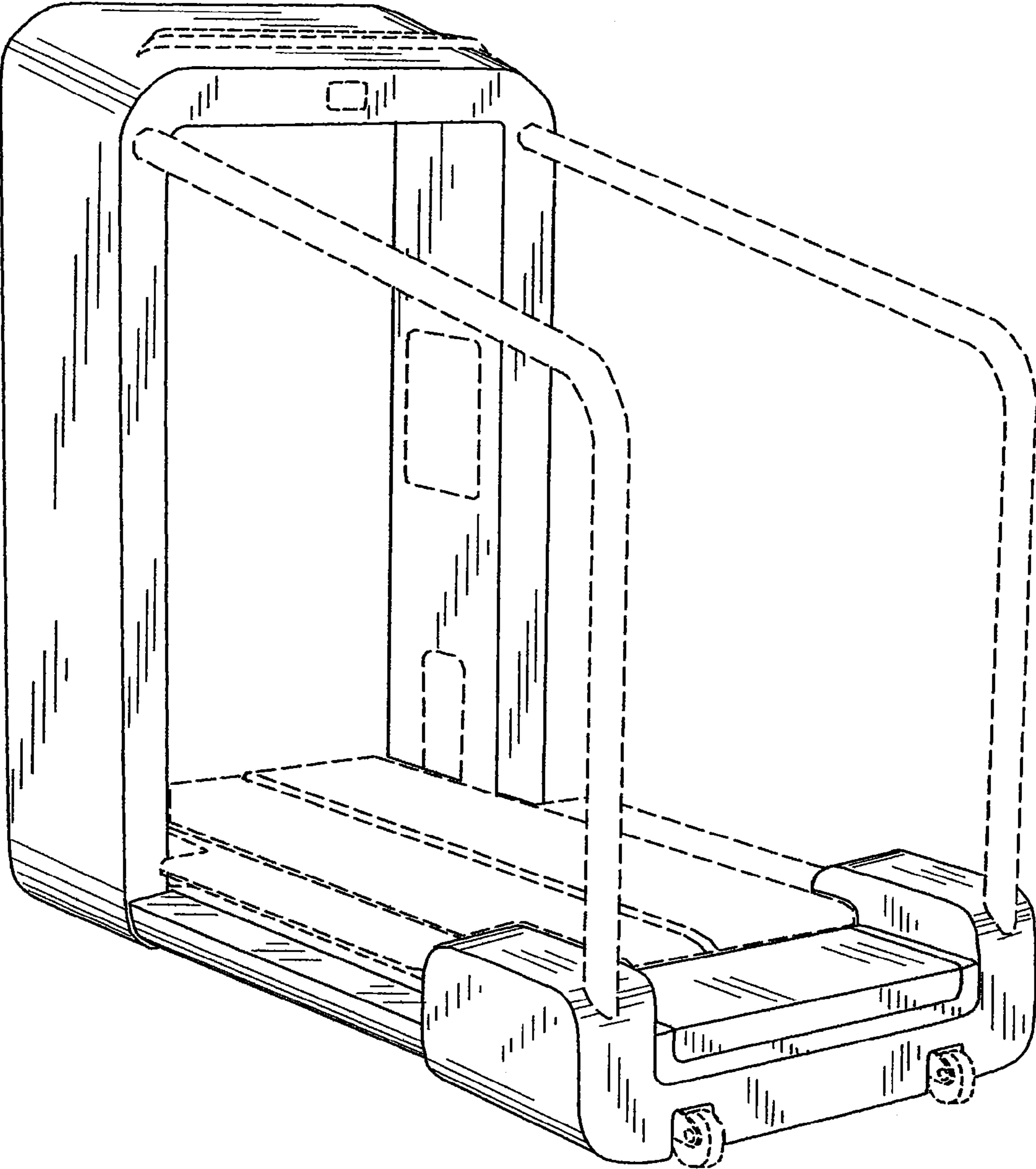


Fig. 2

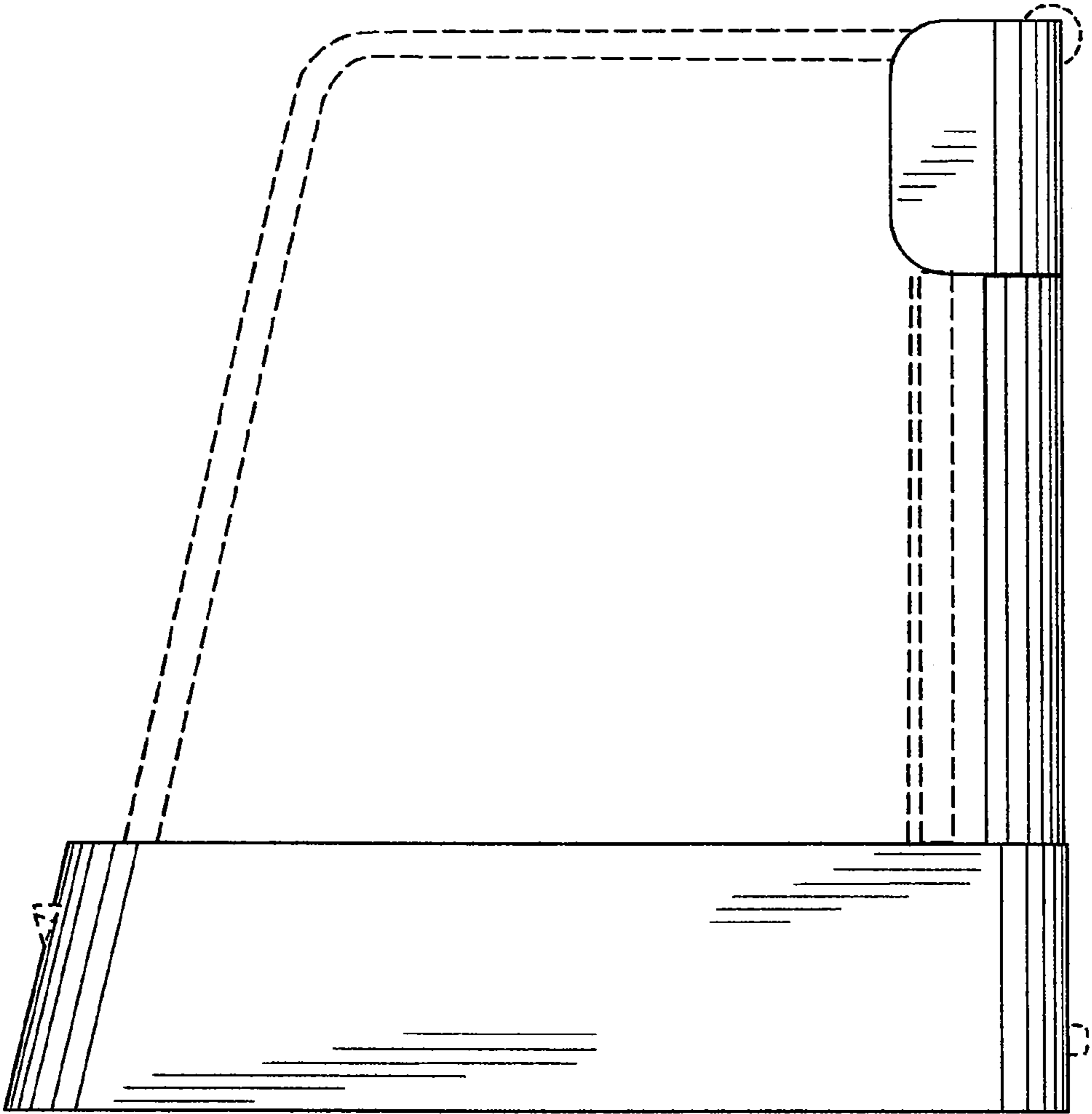


Fig. 3

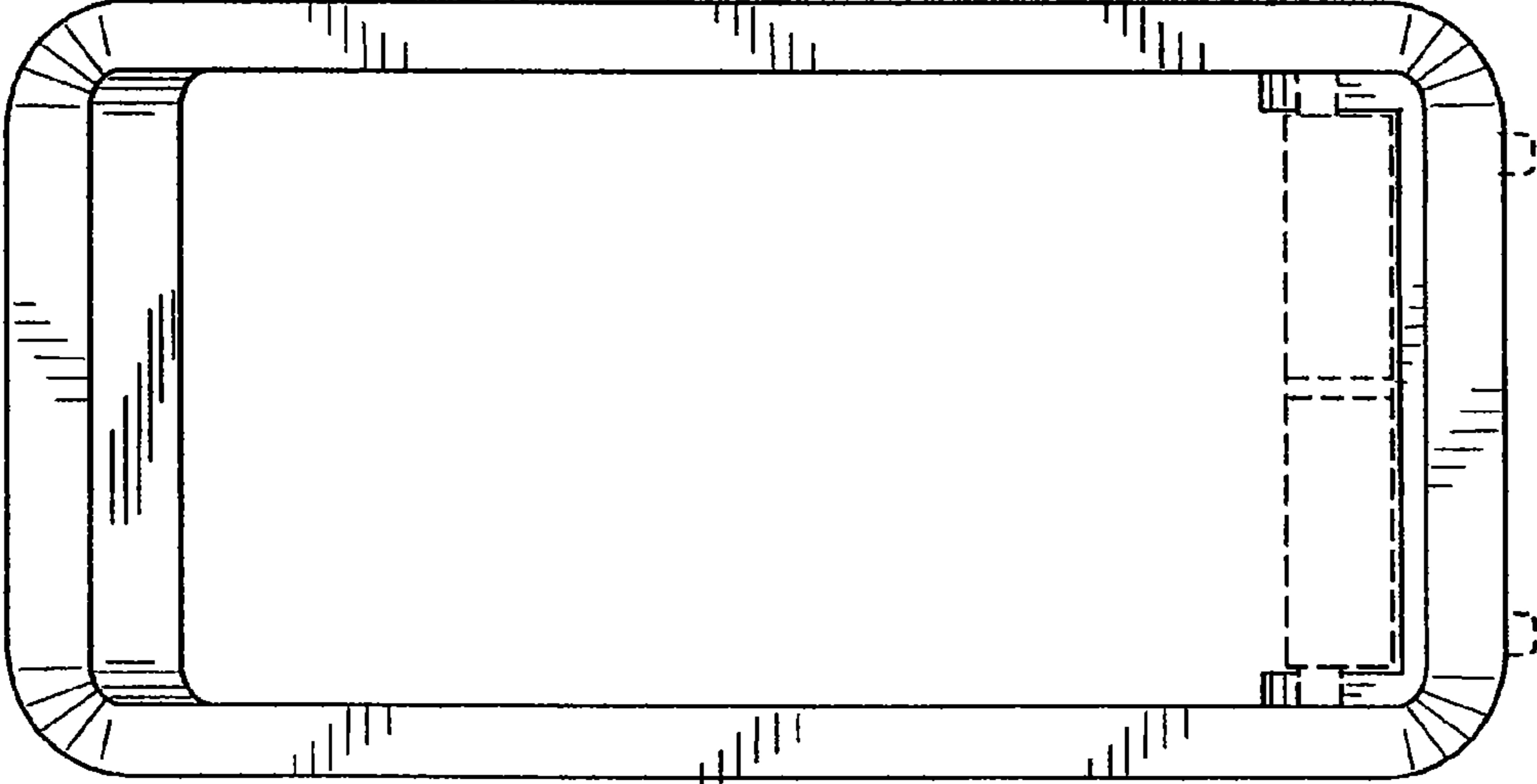


Fig. 4

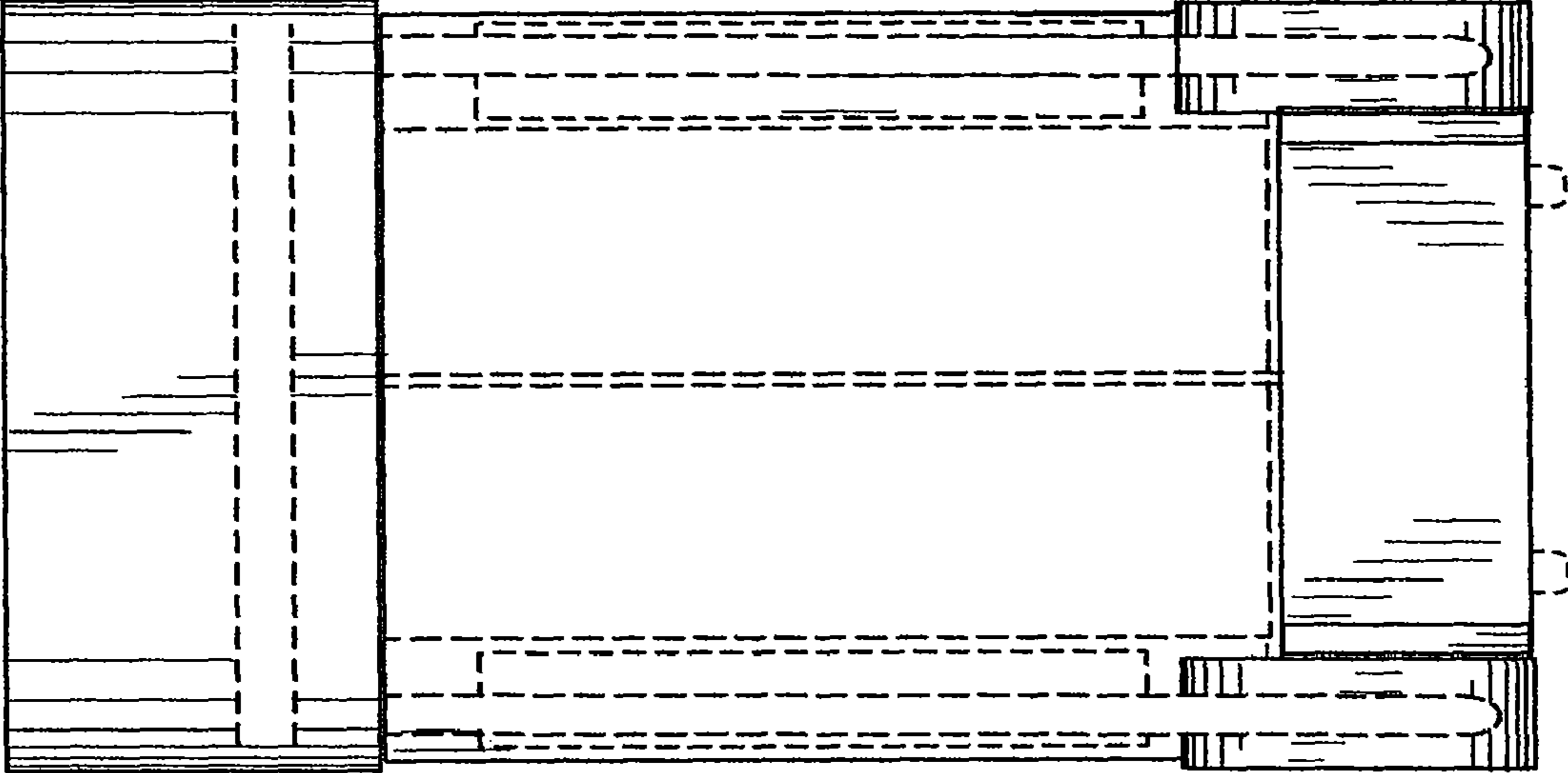


Fig. 6

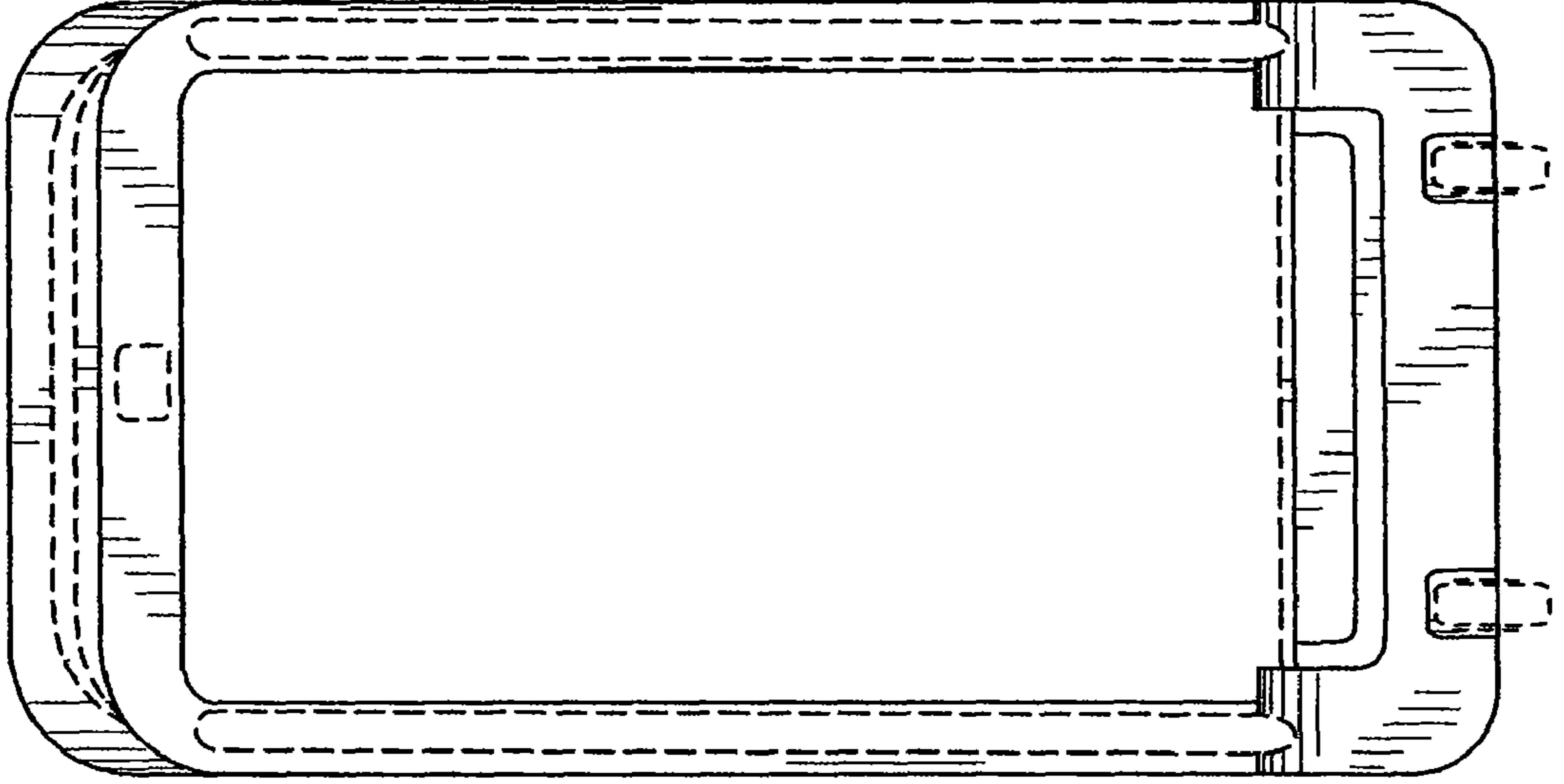


Fig. 5