



US00D630682S

(12) **United States Design Patent**
Castro et al.

(10) **Patent No.:** **US D630,682 S**
(45) **Date of Patent:** **** Jan. 11, 2011**

(54) **WRITING IMPLEMENT WITH ATTACHMENTS**

(76) Inventors: **Robert David Castro**, 267 Prospect St., Nutley, NJ (US) 07110; **Russell Edward Castro**, 11 Bridle Way, Marlboro, NJ (US) 07746

(**) Term: **14 Years**

(21) Appl. No.: **29/341,234**

(22) Filed: **Jul. 31, 2009**

(51) **LOC (9) Cl.** **19-06**

(52) **U.S. Cl.** **D19/36**

(58) **Field of Classification Search** D19/35, D19/36, 41-51, 53-57; 24/11 R, 11 F, 11 P; 401/52, 99, 100, 104-109, 192, 195, 196
See application file for complete search history.

(56) **References Cited**

U.S. PATENT DOCUMENTS

1,427,985	A *	9/1922	Vasselli	401/85
D74,119	S *	12/1927	Nelson	D1/102
D198,959	S *	8/1964	Di Fulvio et al.	D10/72
4,879,882	A	11/1989	Johnson et al.		
4,928,416	A	5/1990	Penno		
5,086,577	A	2/1992	Abernethy		
5,169,253	A *	12/1992	Tsao	401/195
5,186,562	A	2/1993	Yoshinaga et al.		
D344,288	S *	2/1994	Dodson	D19/44
5,433,642	A	7/1995	Chia		
D385,912	S *	11/1997	Byun	D19/36
D389,867	S *	1/1998	Togawa	D19/55
D393,279	S *	4/1998	Byun	D19/36
6,056,464	A	5/2000	Cohen		

6,244,772	B1	6/2001	Ruchonnet	
6,971,812	B1	12/2005	Chen	
7,059,797	B2	6/2006	Sellars	
7,086,798	B1	8/2006	Cetera	
D611,094	S *	3/2010	Collin D19/41
2003/0141327	A1	7/2003	Cruise et al.	
2007/0044512	A1	3/2007	Smith	

FOREIGN PATENT DOCUMENTS

WO 2007/022632 A1 3/2007

* cited by examiner

Primary Examiner—Elizabeth A Albert
(74) *Attorney, Agent, or Firm*—Law Office of Rita C. Chipperson, P.C.

(57) **CLAIM**

The ornamental design for a writing implement with attachments, as shown and described.

DESCRIPTION

FIG. 1 is a perspective view of a writing implement with attachments;

FIG. 2 is a front elevational view thereof;

FIG. 3 is a left side view thereof

FIG. 4 is a right side view thereof;

FIG. 5 is a rear elevational view thereof;

FIG. 6 is a top plan view thereof; and,

FIG. 7 is a bottom plan view thereof.

The broken lines showing indicia on the attachments on the top in FIGS. 1-5 and the central parts of the top in FIG. 6 form no part of the claimed design.

1 Claim, 4 Drawing Sheets

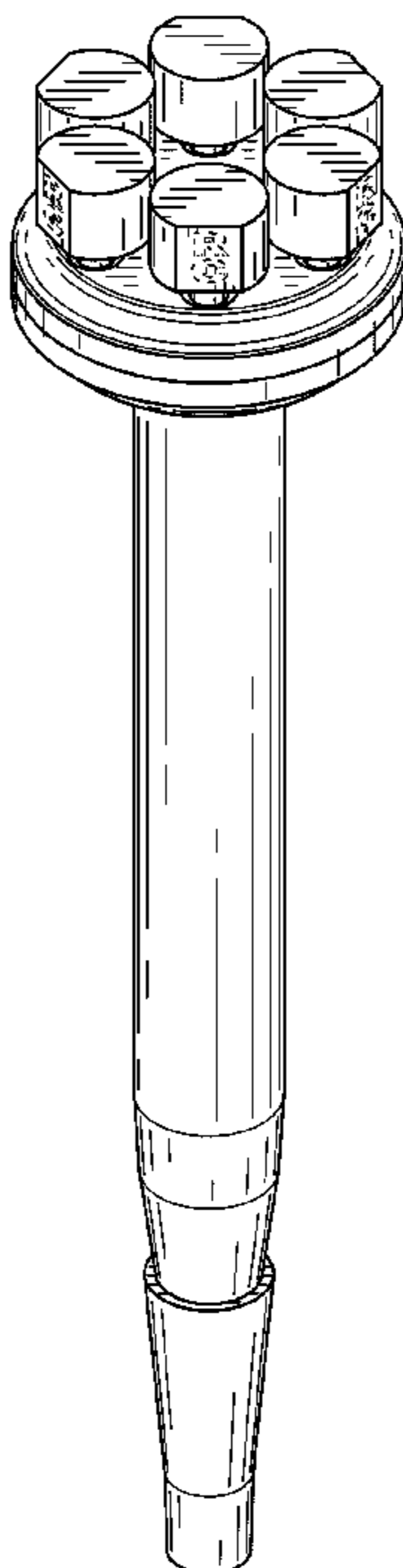


FIG. 1

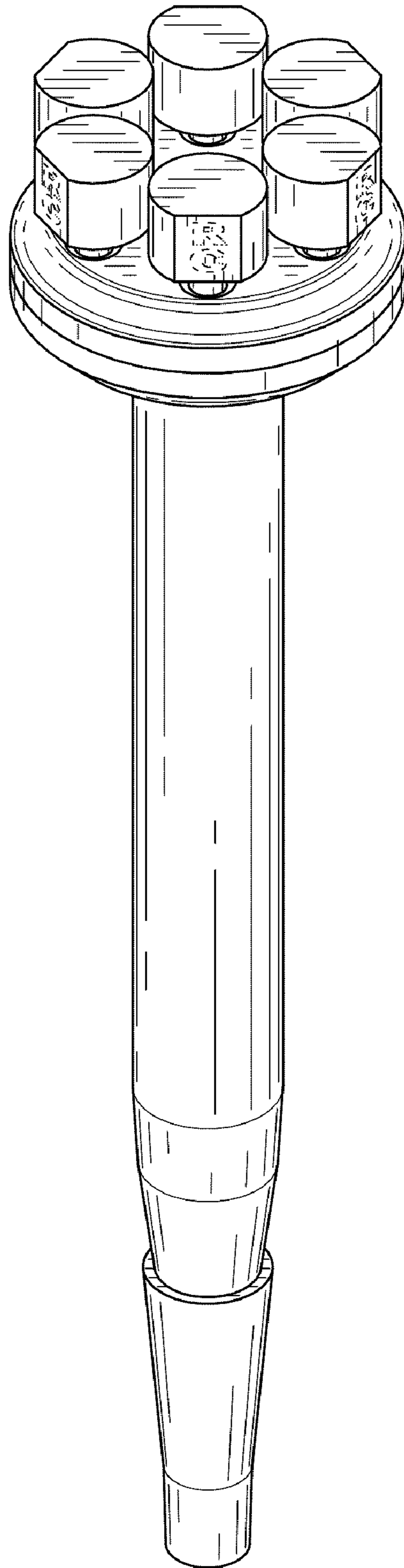


FIG. 2

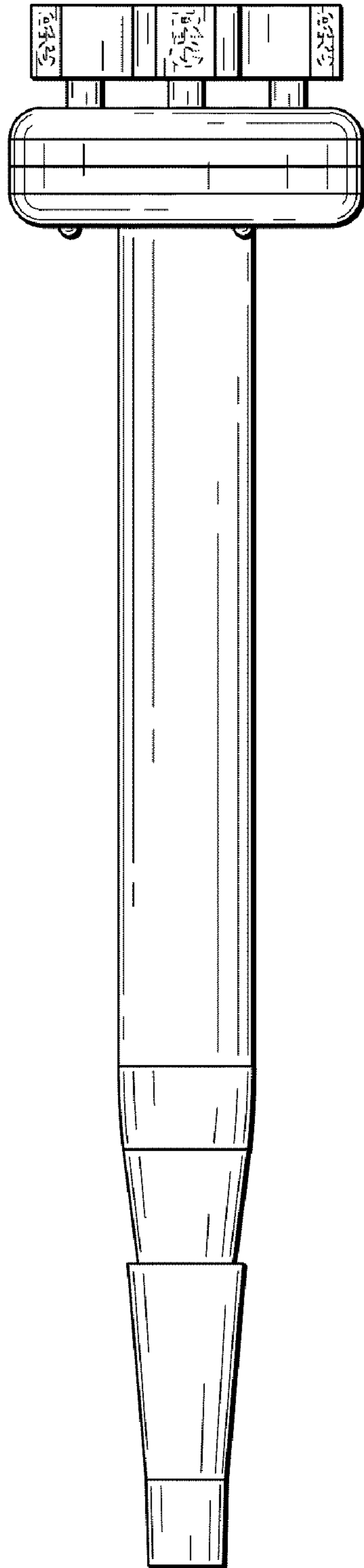


FIG. 3

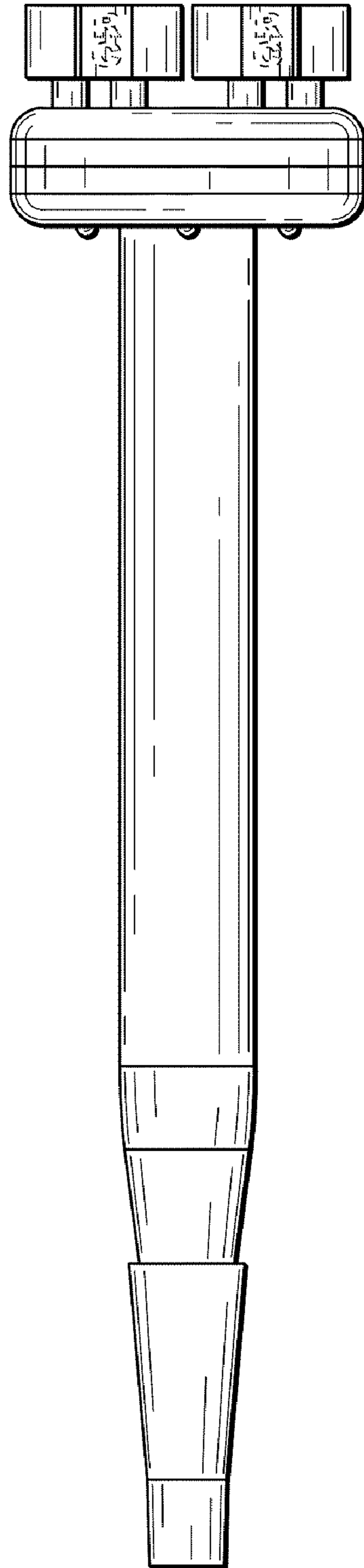


FIG. 4

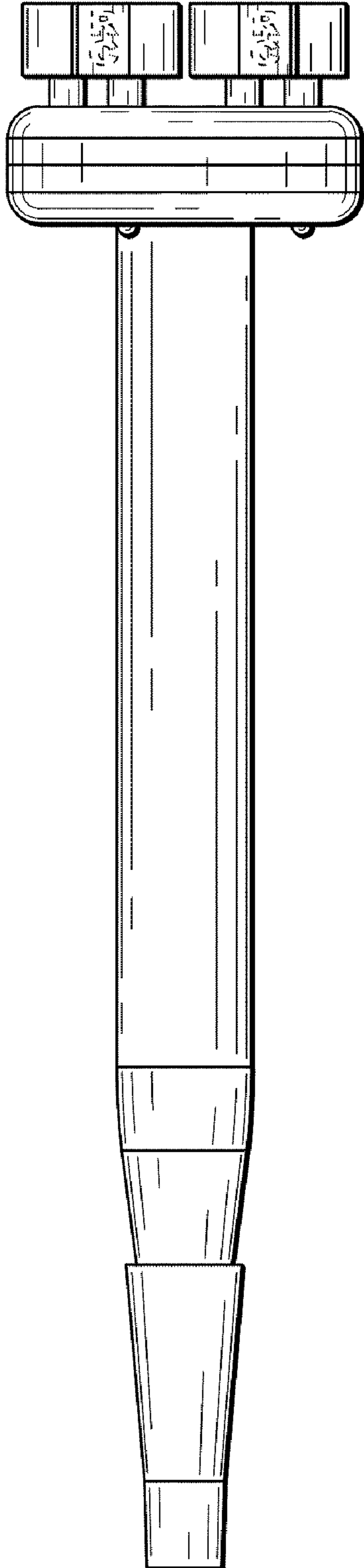


FIG. 5

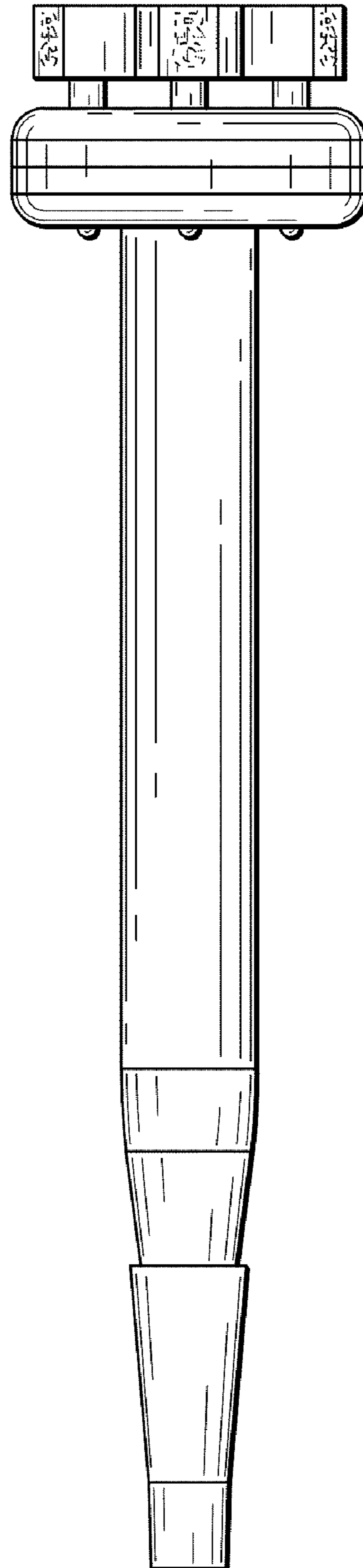


FIG. 6

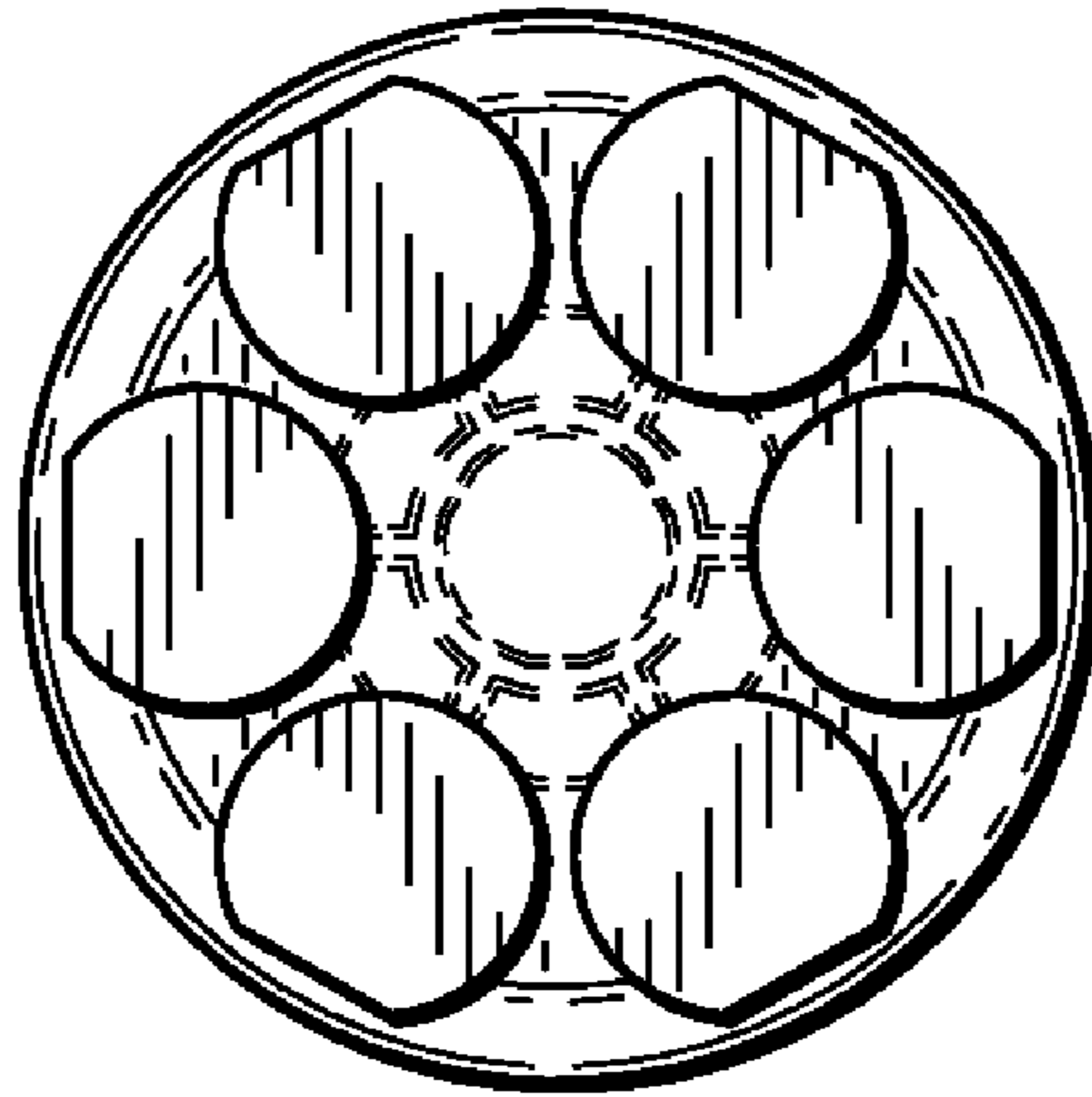


FIG. 7

