



US00D630681S

(12) **United States Design Patent**
Ungar

(10) **Patent No.:** **US D630,681 S**
(45) **Date of Patent:** **** Jan. 11, 2011**

(54) **BOOK WITH SPHERES IN TRANSPARENT DOMES**

(75) Inventor: **Stephen D. Ungar**, Brighton (AU)

(73) Assignee: **Hinkler Books Pty Ltd**, Heatherton (AU)

(**) Term: **14 Years**

(21) Appl. No.: **29/358,495**

(22) Filed: **Mar. 29, 2010**

(30) **Foreign Application Priority Data**

Feb. 17, 2010 (AU) 10531/2010

(51) **LOC (9) Cl.** **19-04**

(52) **U.S. Cl.** **D19/26**

(58) **Field of Classification Search** D19/26-34,
D19/75, 78, 86, 88; D3/303; 281/15.1, 19.1,
281/22, 38, 51; 446/147; 283/63.1
See application file for complete search history.

(56) **References Cited**

U.S. PATENT DOCUMENTS

1,028,921	A	6/1912	Wagner	
1,033,576	A	7/1912	Garman	
2,489,240	A	11/1949	Meyer	
2,538,085	A	1/1951	Cotton	
3,918,180	A	11/1975	Chamberlin	
4,537,576	A *	8/1985	Thorsheim et al.	434/404
D389,181	S *	1/1998	Fernandes et al.	D19/26
5,915,729	A	6/1999	Vap	
5,941,570	A	8/1999	Cole et al.	
6,149,201	A	11/2000	Cole et al.	
6,206,699	B1 *	3/2001	D'Andrea	434/81
6,224,106	B1 *	5/2001	Murphy	281/15.1
6,319,088	B1	11/2001	Cole et al.	
6,431,543	B1 *	8/2002	Cole et al.	273/153 R
6,609,942	B1	8/2003	Cole et al.	
6,666,454	B1 *	12/2003	Cole et al.	273/157 R

D502,213	S *	2/2005	Prescott et al.	D19/28
6,929,526	B1 *	8/2005	Cole et al.	446/327
D515,624	S *	2/2006	Loo	D19/26
D515,625	S *	2/2006	Loo	D19/26
7,201,402	B2 *	4/2007	Duprey	281/38
7,347,453	B1 *	3/2008	Hilicki et al.	281/22
D570,075	S *	5/2008	Wood et al.	D99/34

* cited by examiner

Primary Examiner—T. Chase Nelson

Assistant Examiner—Kathleen M Sims

(74) *Attorney, Agent, or Firm*—Frost Brown Todd LLC

(57) **CLAIM**

The ornamental design for a book with spheres in transparent domes, as shown and described.

DESCRIPTION

FIG. 1 is a top front isometric view of a book with spheres in transparent domes, showing my new design;

FIG. 2 is a front elevational view thereof;

FIG. 3 is a back elevational view thereof;

FIG. 4 is a left elevational view thereof;

FIG. 5 is a right elevational view thereof;

FIG. 6 is a top plan view thereof;

FIG. 7 is a bottom plan view thereof;

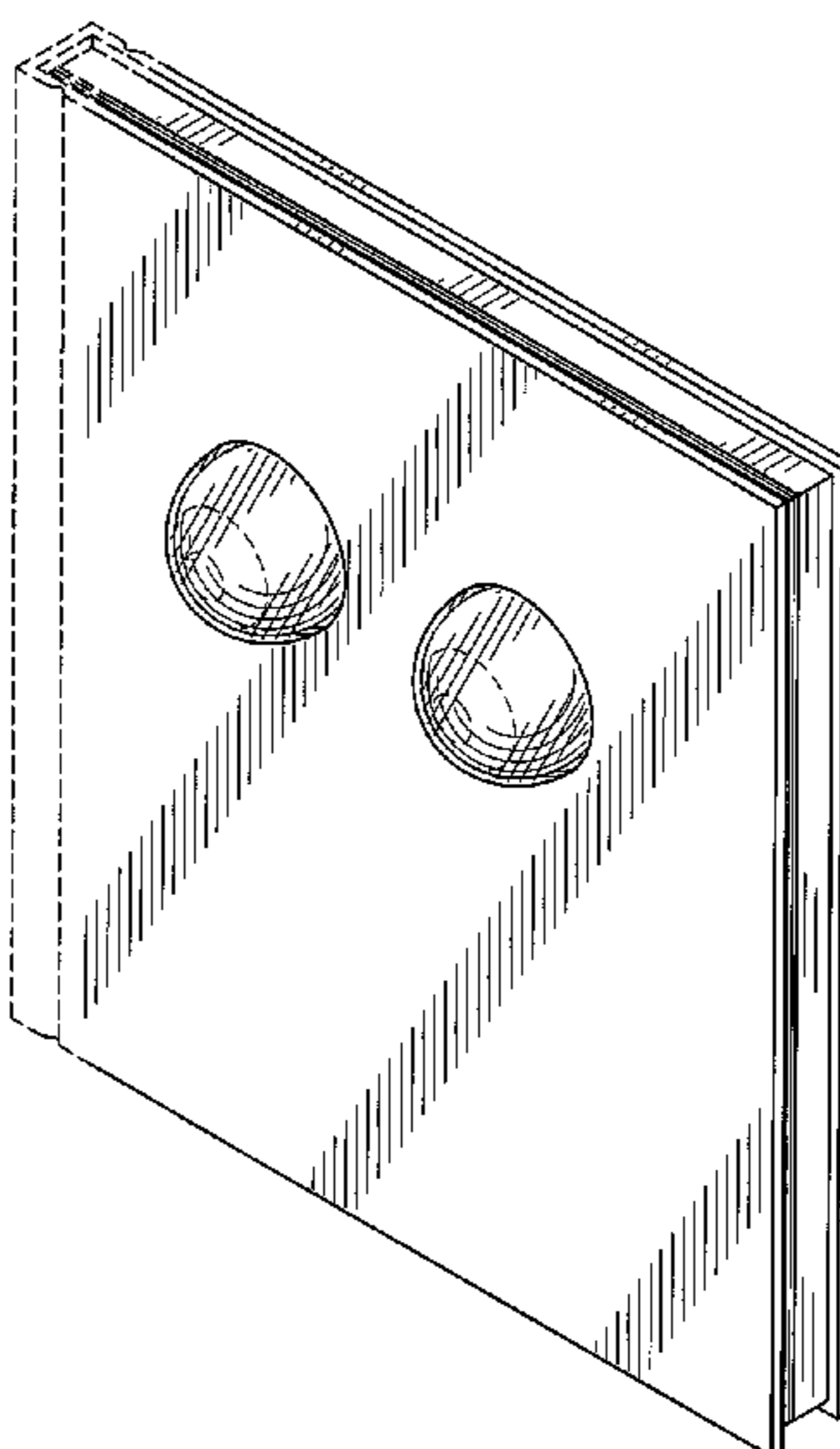
FIG. 8 is a top front isometric view of thereof, with the front cover in an open position;

FIG. 9 a top front isometric view of thereof, with the front cover in an open position and with several pages fanned open; and,

FIG. 10 top back isometric view thereof.

The spine portion, concentric circles on the front of the spheres, and the annular protrusions on the back of the spheres shown in broken lines are unclaimed environment, and form no part of the claimed design.

1 Claim, 8 Drawing Sheets



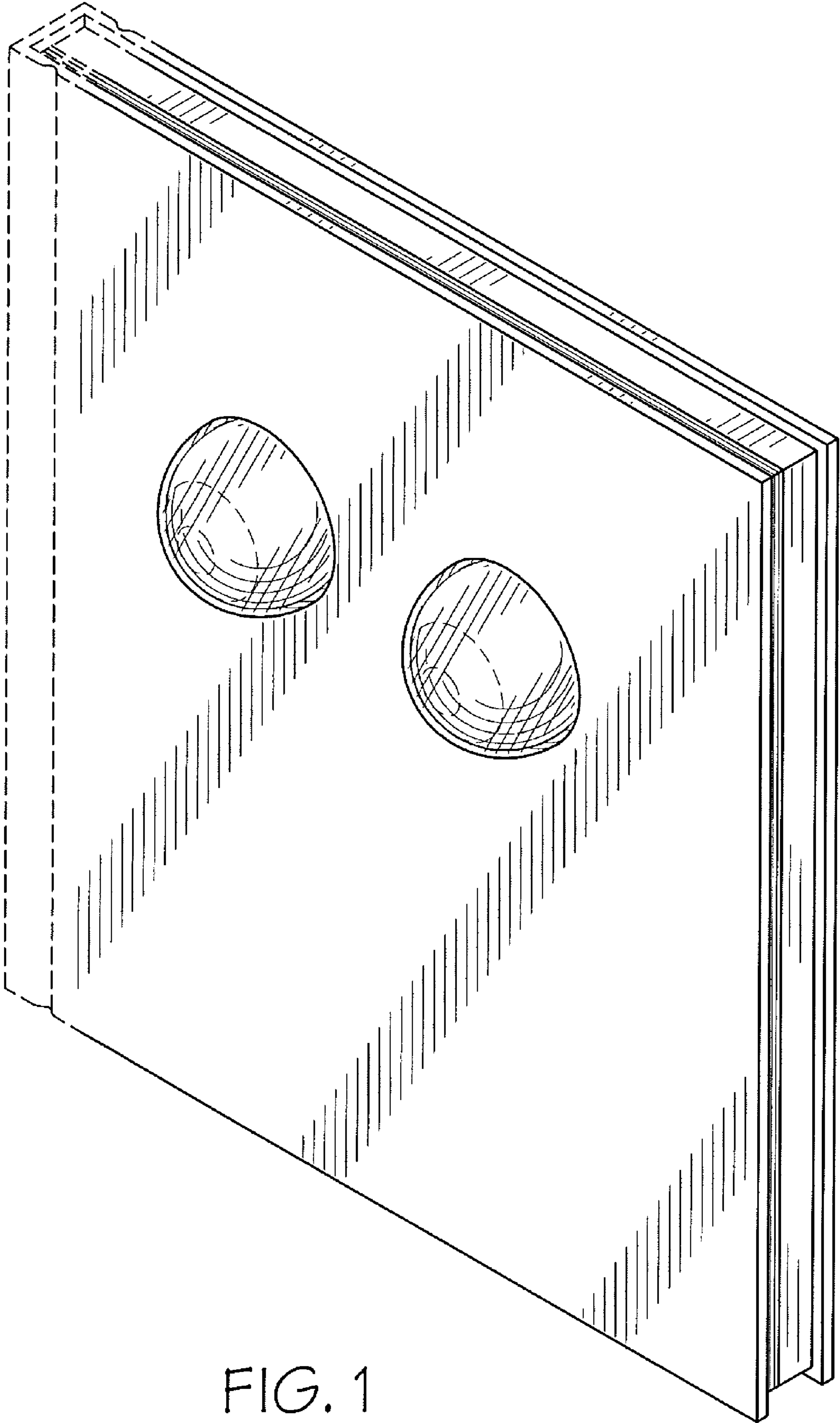


FIG. 1

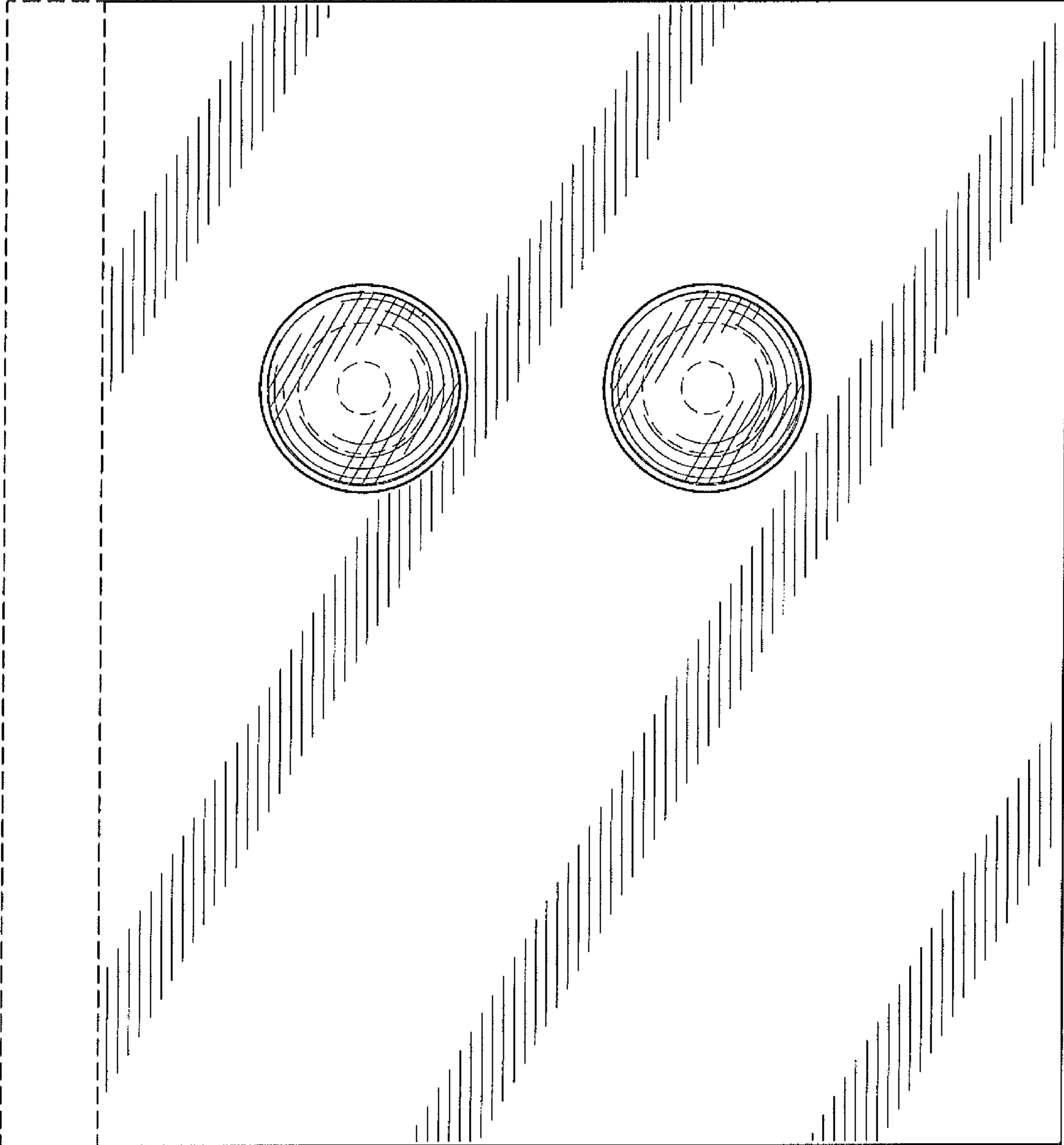


FIG. 2

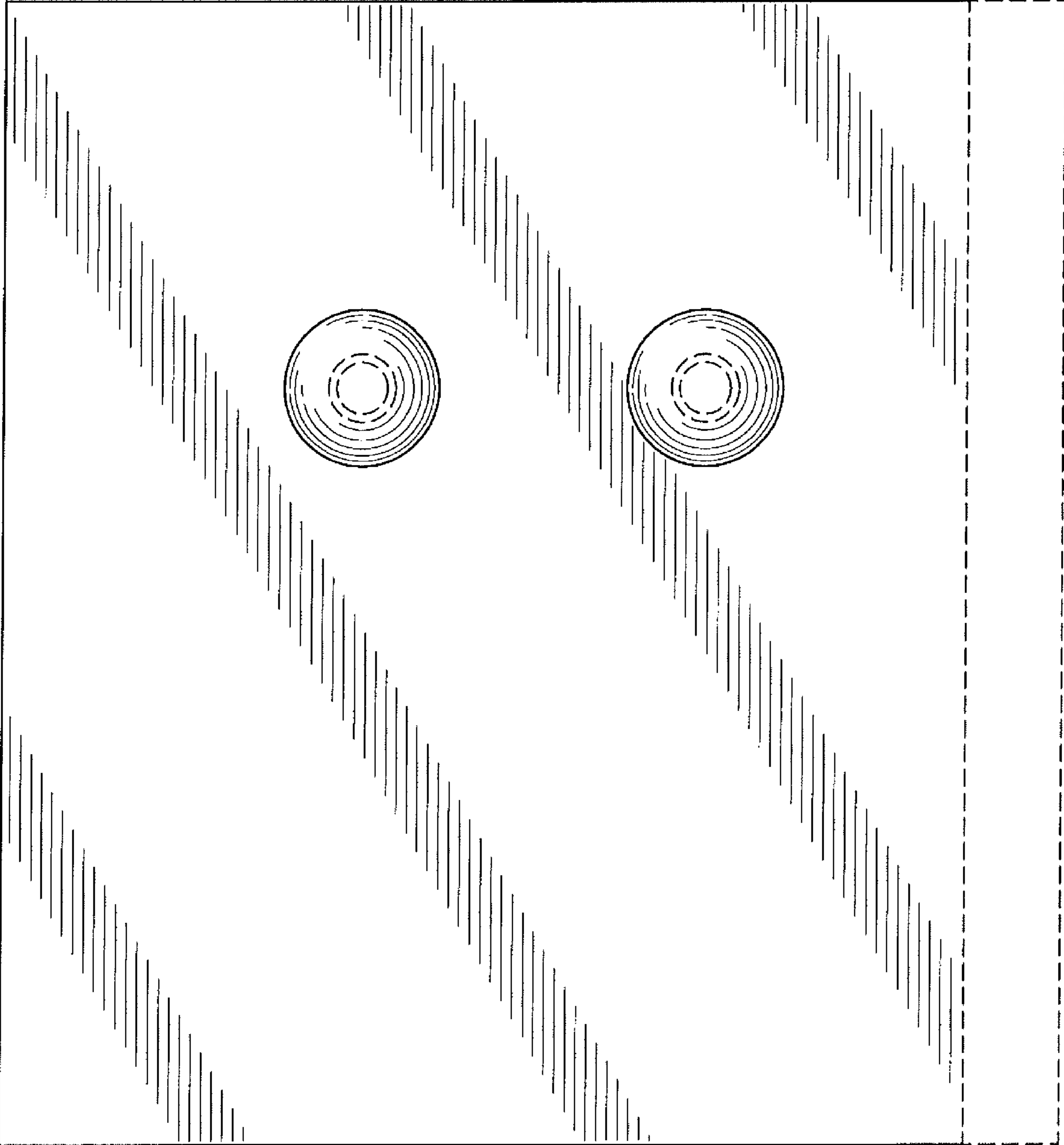


FIG. 3

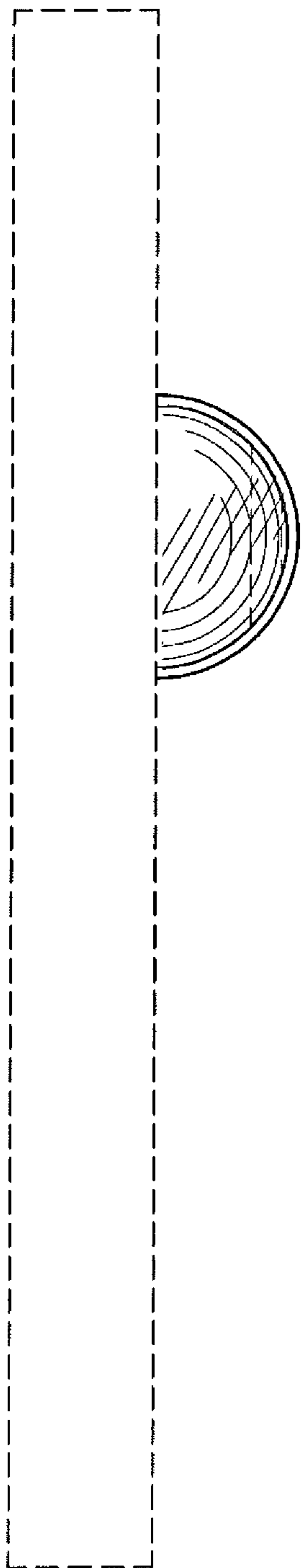


FIG. 4

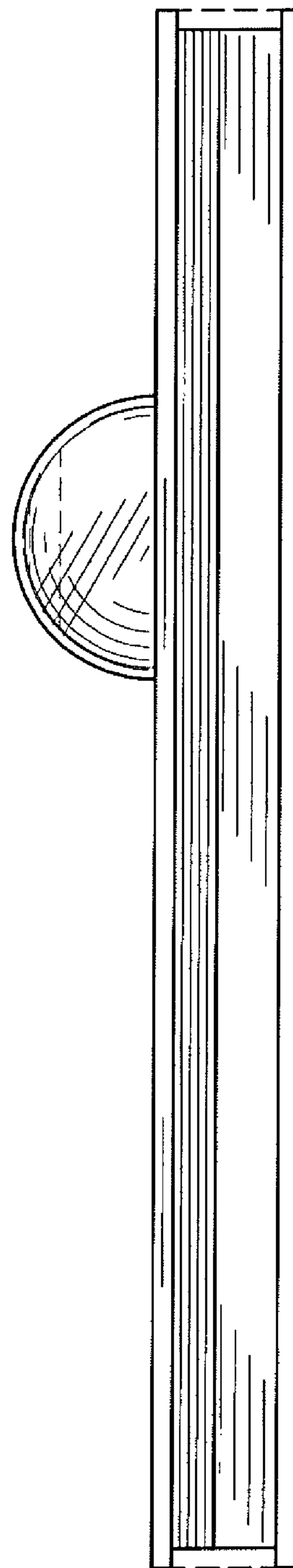


FIG. 5

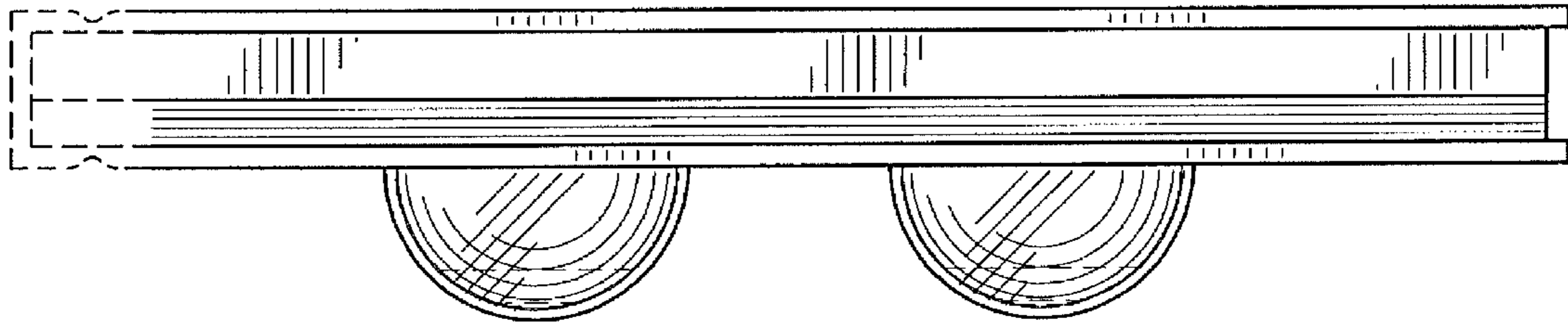


FIG. 6

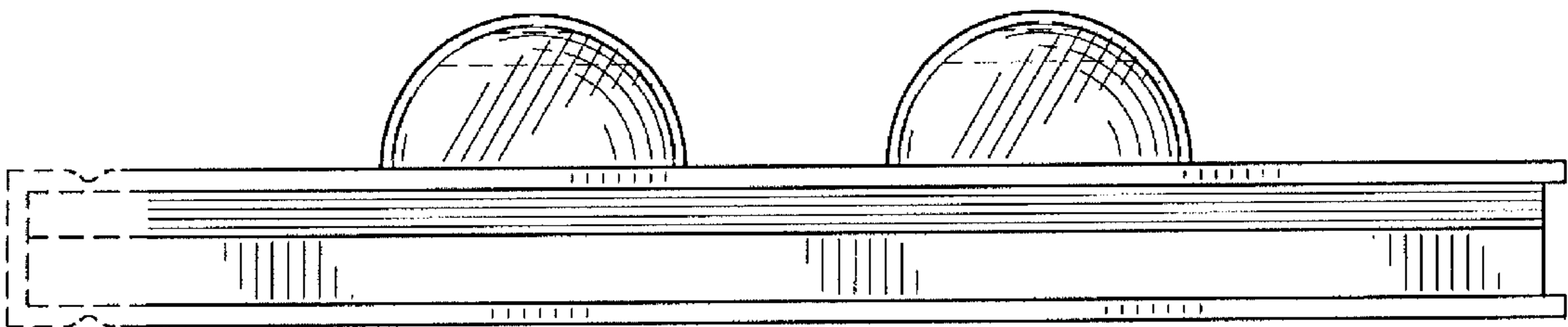


FIG. 7

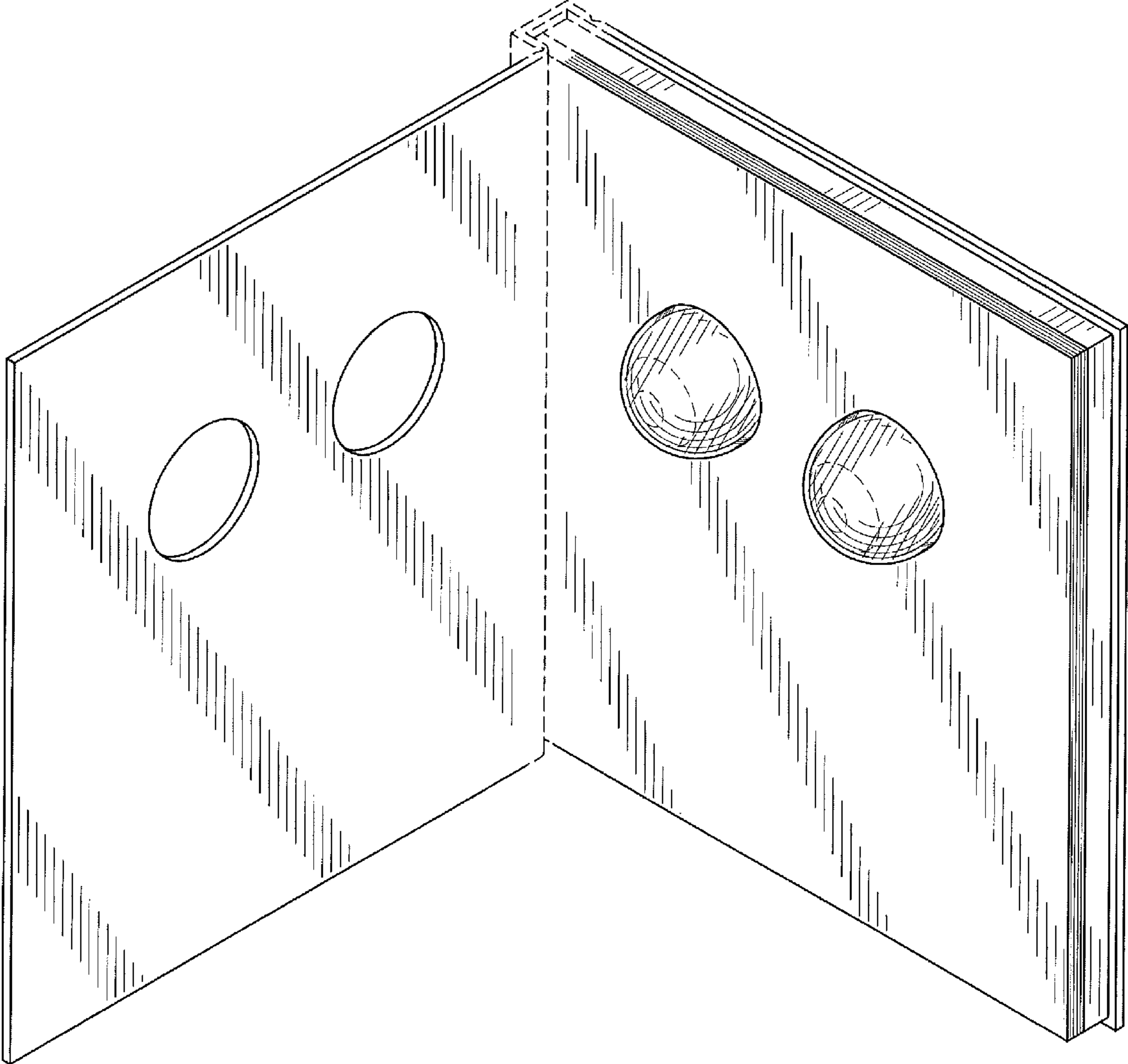


FIG. 8

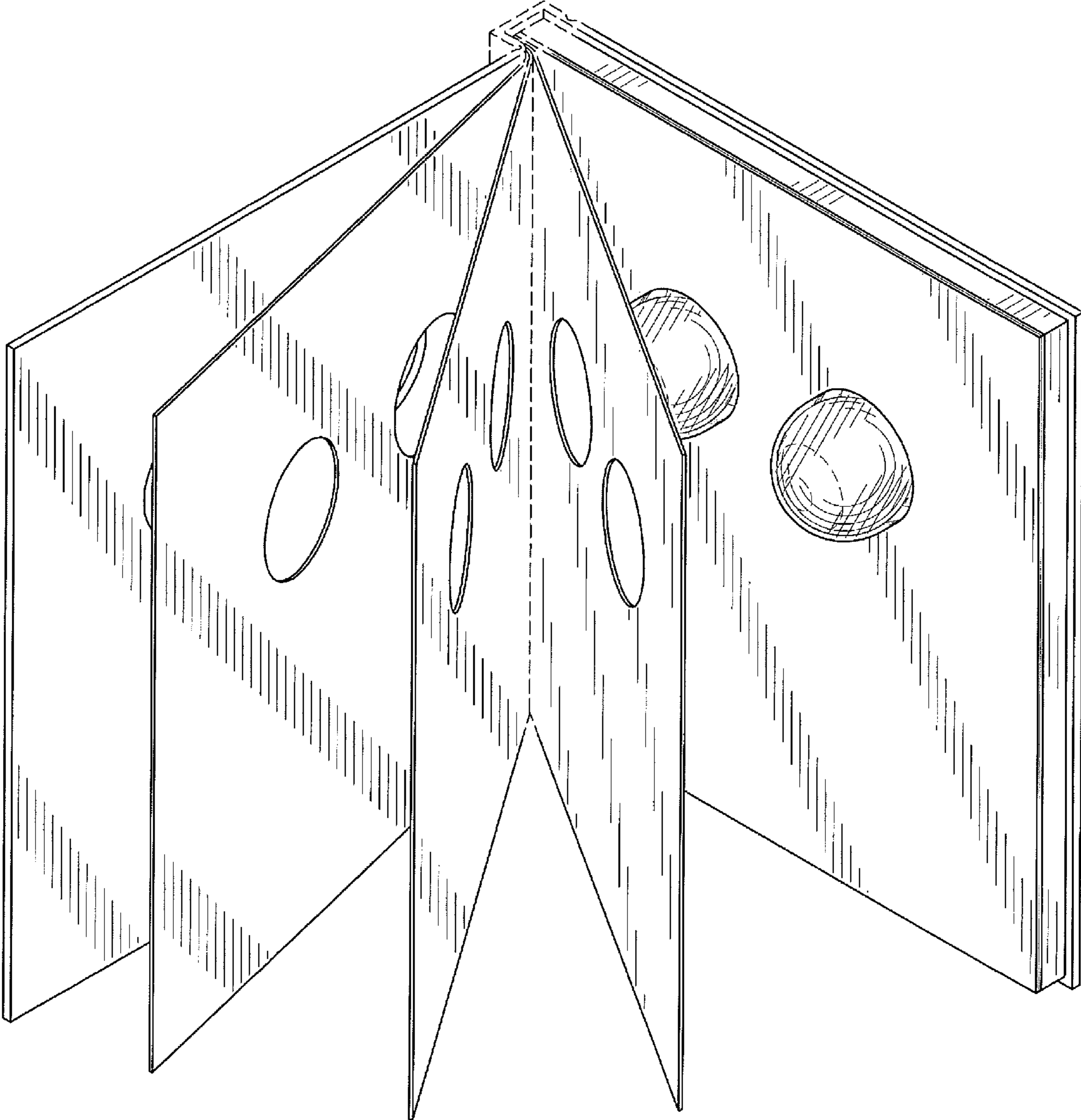


FIG. 9

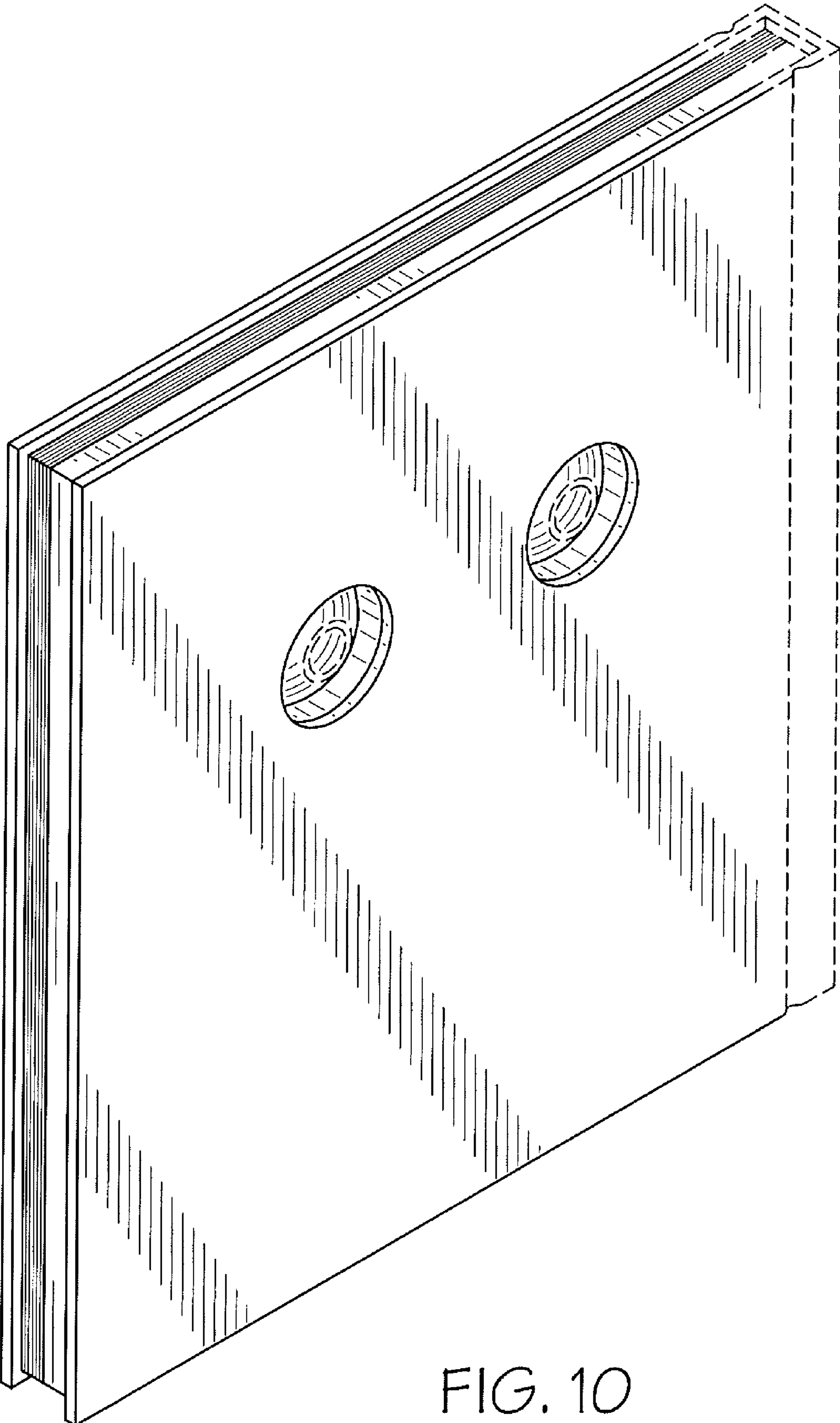


FIG. 10