



US00D630680S

(12) **United States Design Patent**  
**Gold et al.**

(10) **Patent No.:** **US D630,680 S**  
(45) **Date of Patent:** **\*\* Jan. 11, 2011**

- (54) **INK STICK FOR PHASE CHANGE INK JET PRINTER**
- (75) Inventors: **Christopher R Gold**, Tigard, OR (US);  
**Ernest I Esplin**, Sheridan, OR (US);  
**Frederick T Mattern**, Portland, OR (US);  
**William L Emery**, Sherwood, OR (US)
- (73) Assignee: **Xerox Corporation**, Norwalk, CT (US)
- (\*\*) Term: **14 Years**
- (21) Appl. No.: **29/336,505**
- (22) Filed: **May 5, 2009**
- (51) **LOC (9) Cl.** ..... **18-02**
- (52) **U.S. Cl.** ..... **D18/56; 347/88**
- (58) **Field of Classification Search** ..... D18/56;  
347/88, 99; 106/31.29, 31.61  
See application file for complete search history.

(56) **References Cited**

**U.S. PATENT DOCUMENTS**

D383,153	S *	9/1997	Jones et al.	.....	D18/56
D500,785	S *	1/2005	Jones et al.	.....	D18/56
6,893,121	B2 *	5/2005	Jones	.....	347/88
D531,210	S *	10/2006	Jones	.....	D18/56
D533,900	S *	12/2006	Jones et al.	.....	D18/56
D535,327	S *	1/2007	Korn et al.	.....	D18/56
D610,608	S *	2/2010	Esplin	.....	D18/56
2008/0117264	A1	5/2008	Fairchild et al.		
2008/0117265	A1	5/2008	Esplin et al.		
2008/0117266	A1	5/2008	Esplin et al.		
2008/0117267	A1	5/2008	Fairchild et al.		
2008/0136881	A1	6/2008	Fairchild et al.		
2008/0136882	A1 *	6/2008	Fairchild et al.	.....	347/88
2008/0218572	A1 *	9/2008	Fairchild et al.	.....	347/99

**OTHER PUBLICATIONS**

- D1—an Affidavit of Detective Scott Cater of the Office of the Sheriff of Washington County Oregon.
- D2—an Apr. 9, 2009 email of Detective Scott Cater to his team following execution of the search warrants.

- D3—a Follow-up Report on the search warrant incident by Officer Dave Anderson of the Office of the Sheriff of Washington County.
- D4—an Apr. 13, 2009 email of Detective Scott Cater regarding checking the web (KPTV website) for the inadvertently posted pictures of prototype ink sticks.
- D5—emails of Michael Graham (Xerox Site Security Manager, and Keith Cutri, Xerox Corporate Security Manager)) regarding the recovered ink sticks.
- D6—spread sheet document of recovered ink stick inventory.
- D7—Technology Review email regarding an Apr. 21, 2009-May 4, 2009 online brief publication of a photograph featuring 3 prototype Jupiter ink sticks.
- P1—photograph of the recovered ink stick inventory.
- P2—photograph of the recovered ink stick inventory.

(Continued)

*Primary Examiner*—Cathy Anne MacCormac  
(74) *Attorney, Agent, or Firm*—Tallam I. Nguti

(57) **CLAIM**

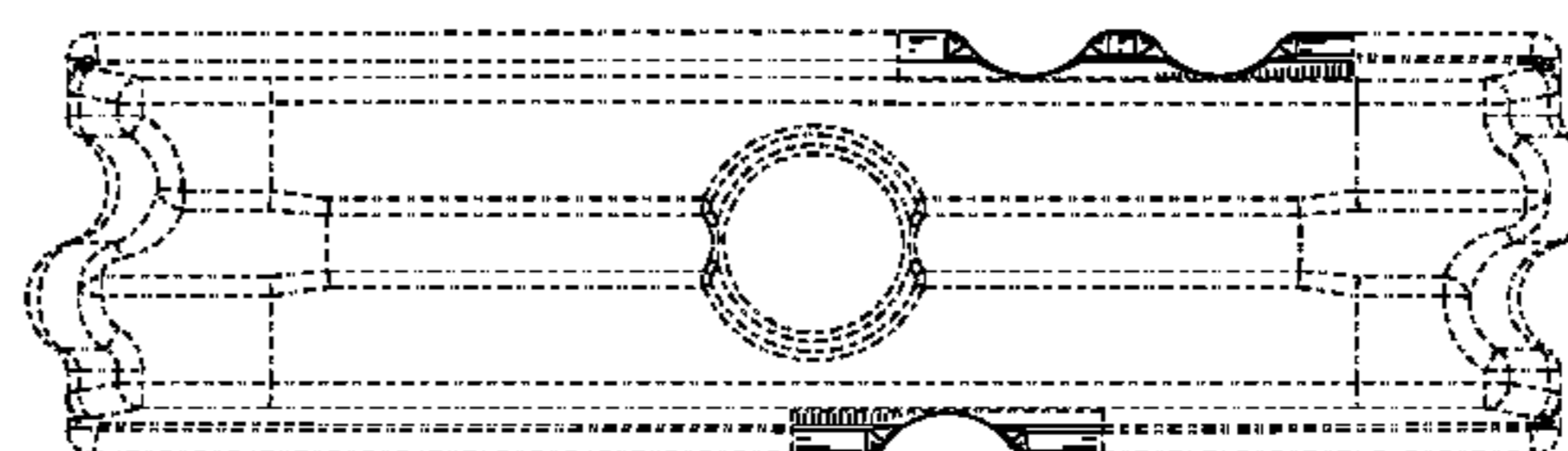
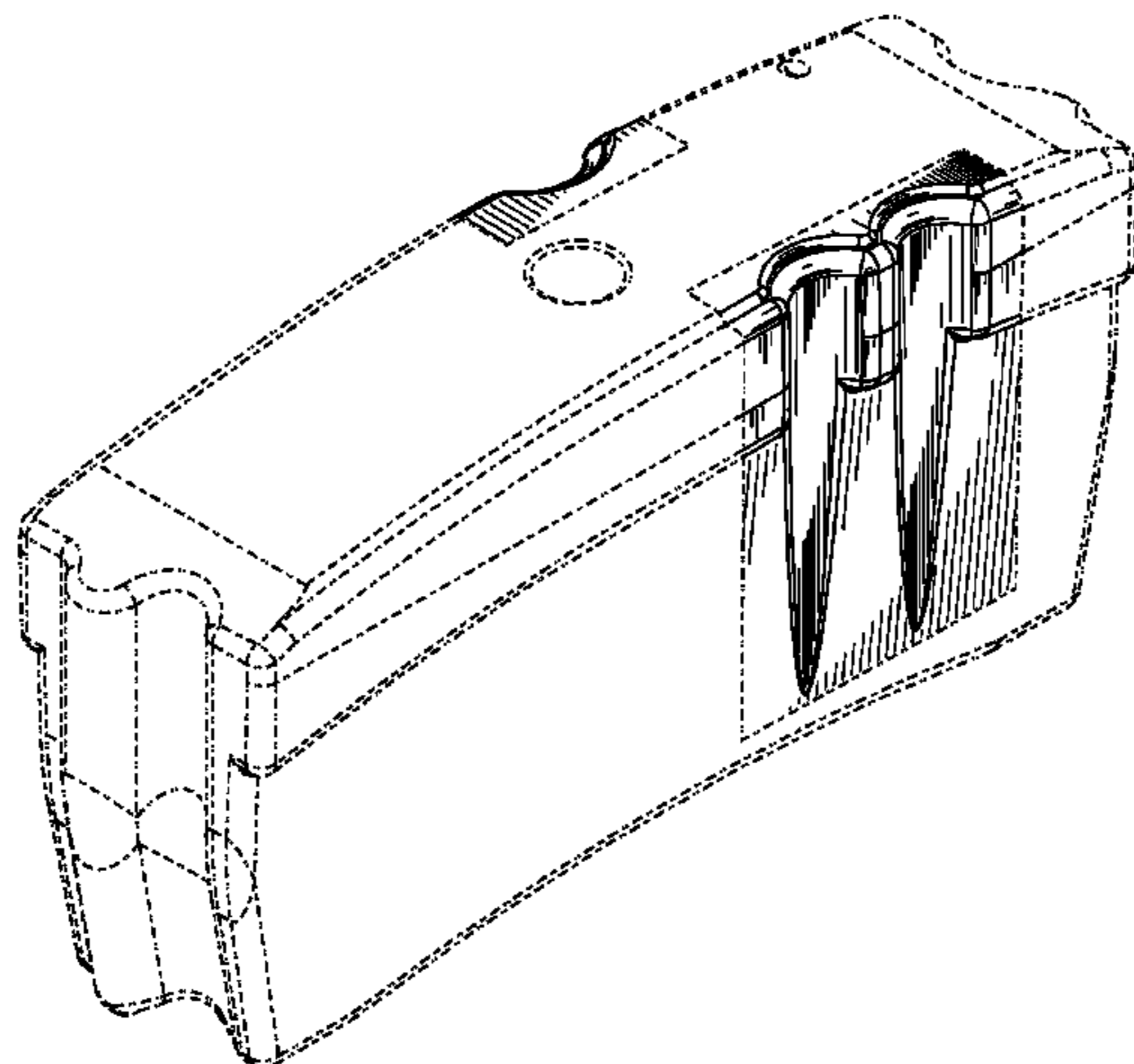
The ornamental design for an ink stick for phase change ink jet printer, as shown and described.

**DESCRIPTION**

- FIG. 1 is a perspective view of an ink stick for phase change ink jet printer in accordance with the present invention;
- FIG. 2 is a front view thereof;
- FIG. 3 is a right end view thereof;
- FIG. 4 is a rear view thereof;
- FIG. 5 is a left end view thereof;
- FIG. 6 is a top plan view thereof; and,
- FIG. 7 is a bottom plan view thereof.

The broken lines shown are for illustrative purposes only and form no part of the claimed design.

**1 Claim, 4 Drawing Sheets**



OTHER PUBLICATIONS

P3—photograph of the recovered ink stick inventory.

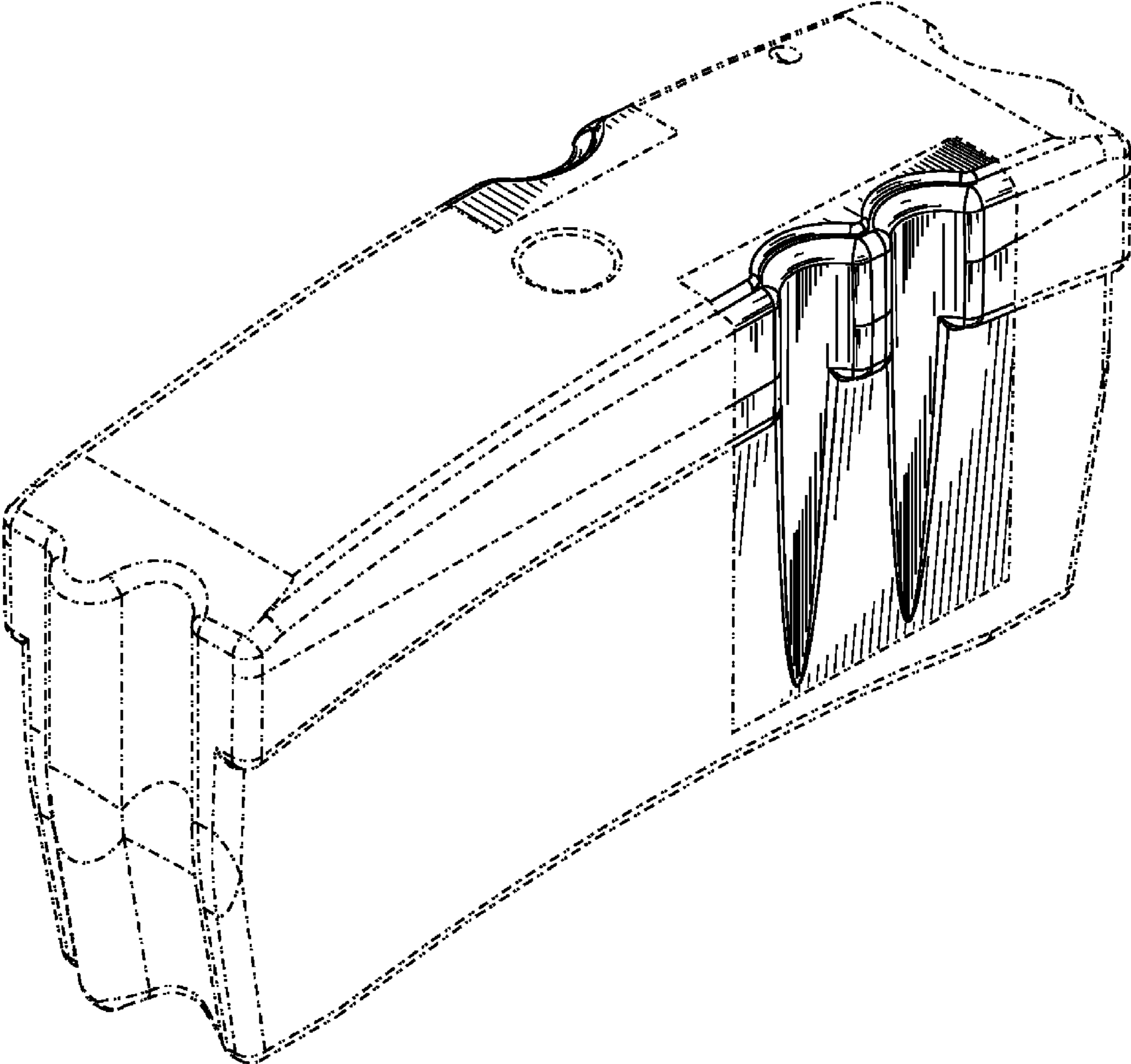
P4—Apr. 23, 2009 page copies of Dodo-6666, web site of Ayad Al-Musawi.

P5—photograph of the only 16 otherwise confidential prototype ink sticks (confidential Jupiter program prototype ink sticks) found among the recovered stolen ink sticks.

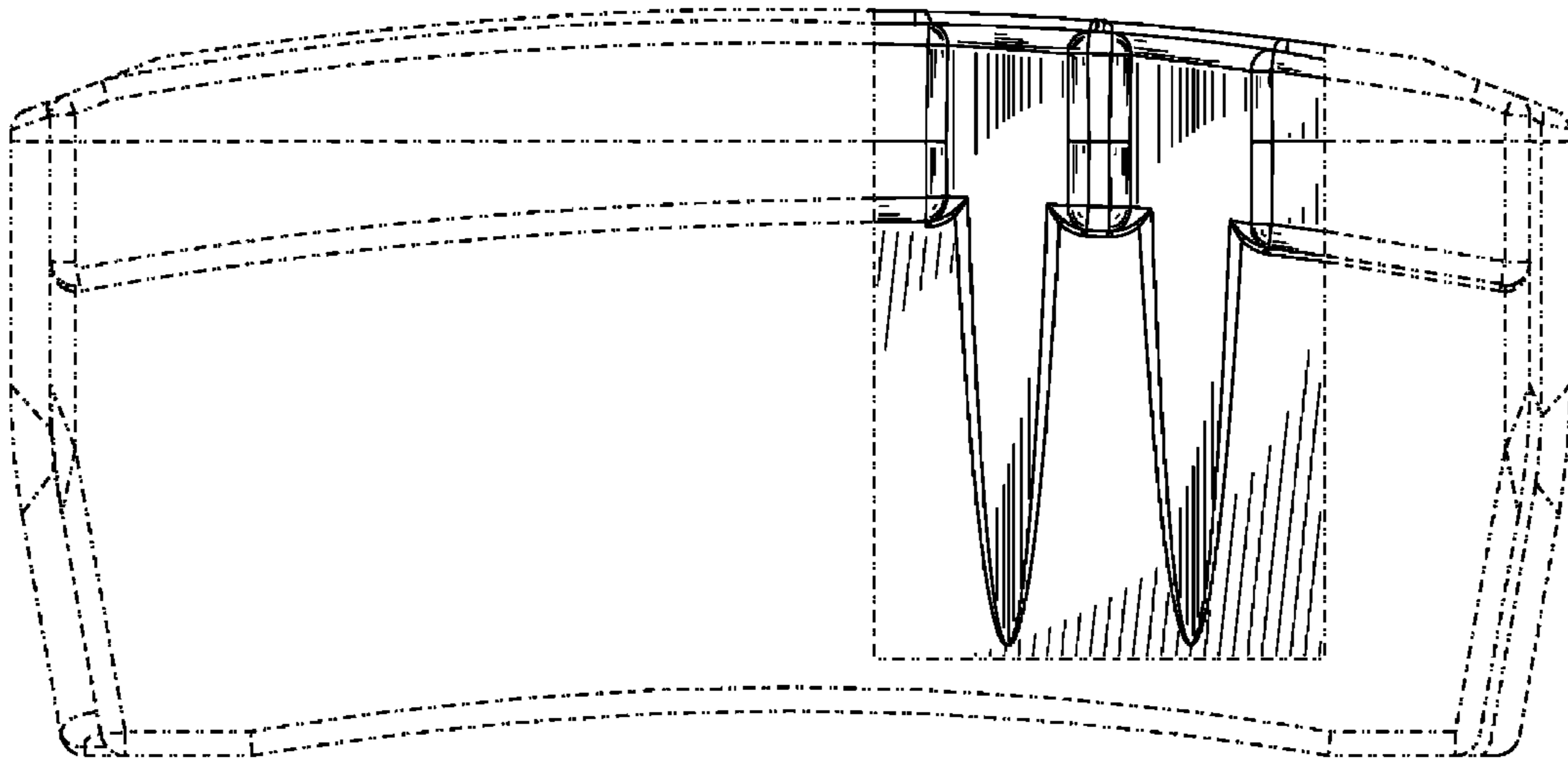
P6—photograph of the only 16 otherwise confidential prototype ink sticks (confidential Jupiter program prototype ink sticks) found among the recovered stolen ink sticks.

P7—3 prototype Jupiter ink sticks in technology Review online publication.

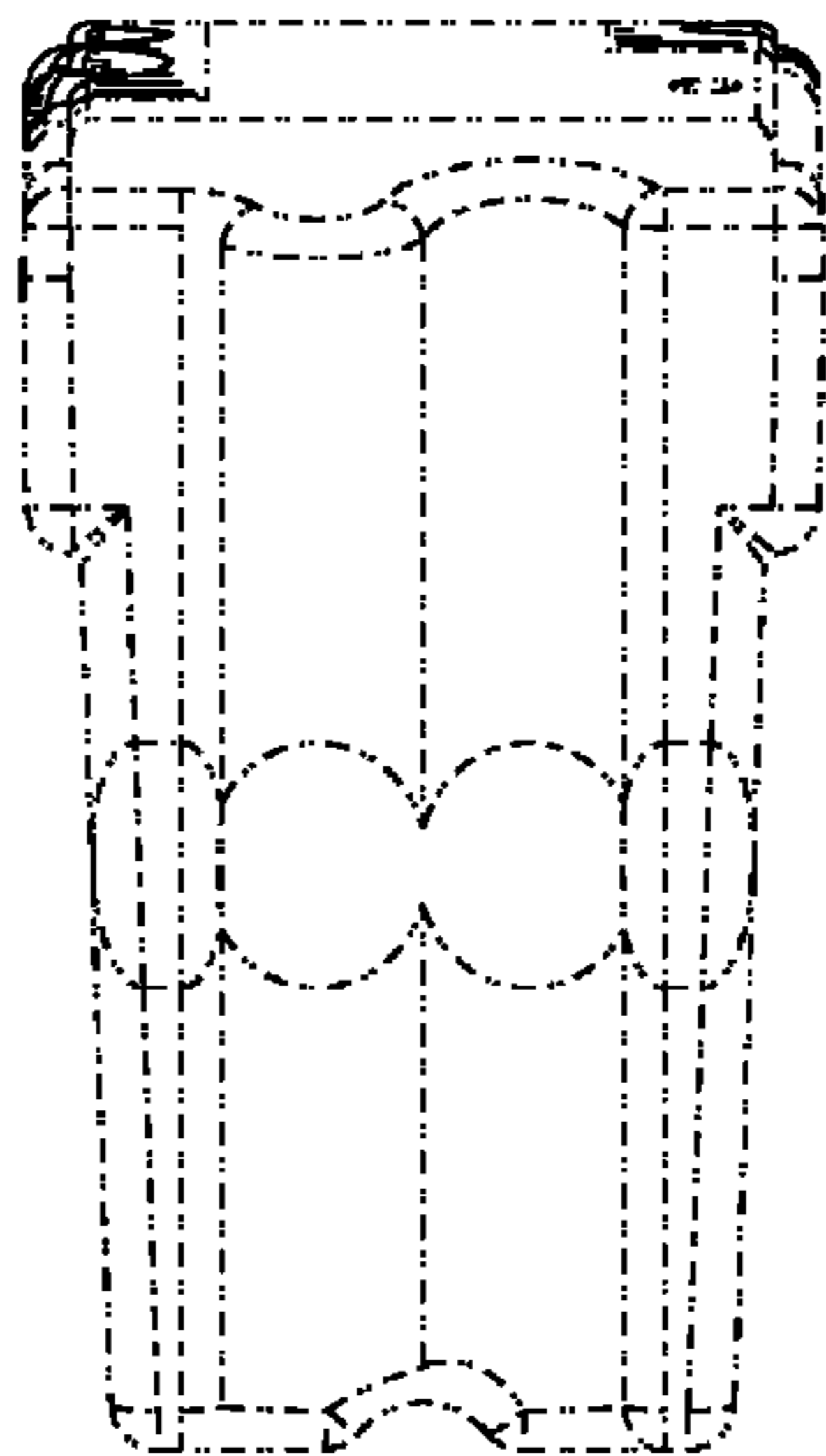
\* cited by examiner



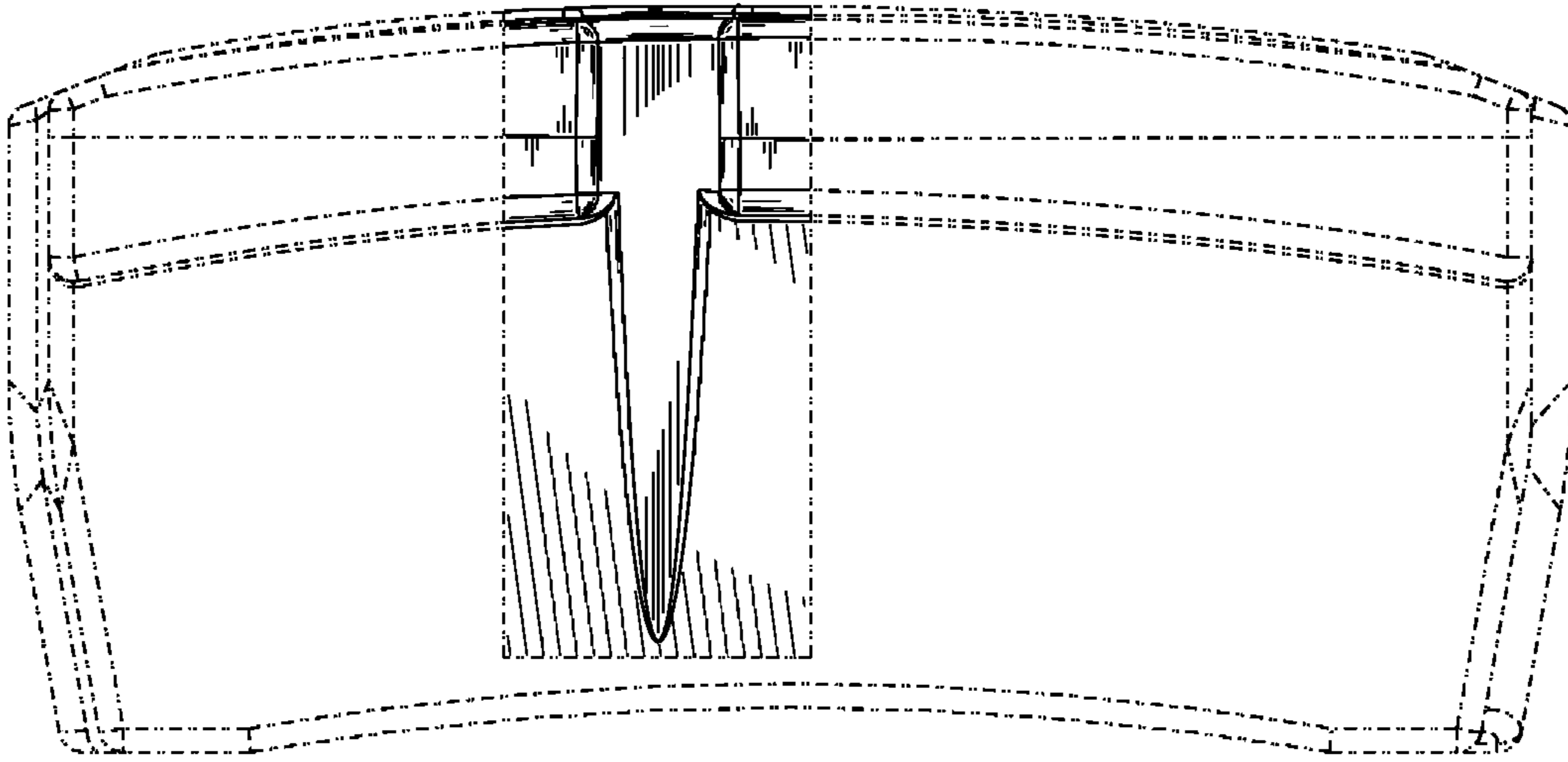
**FIG. 1**



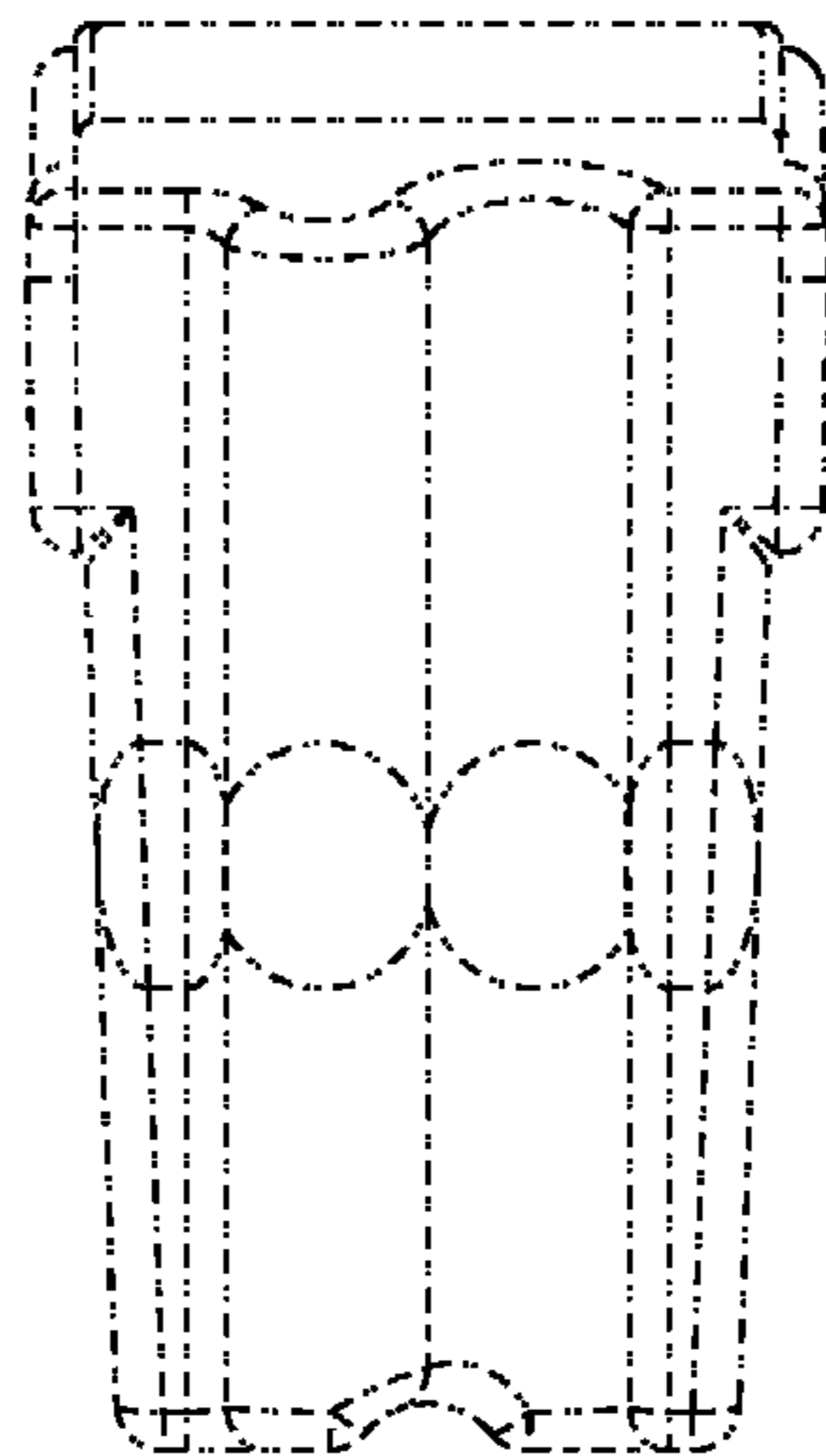
**FIG. 2**



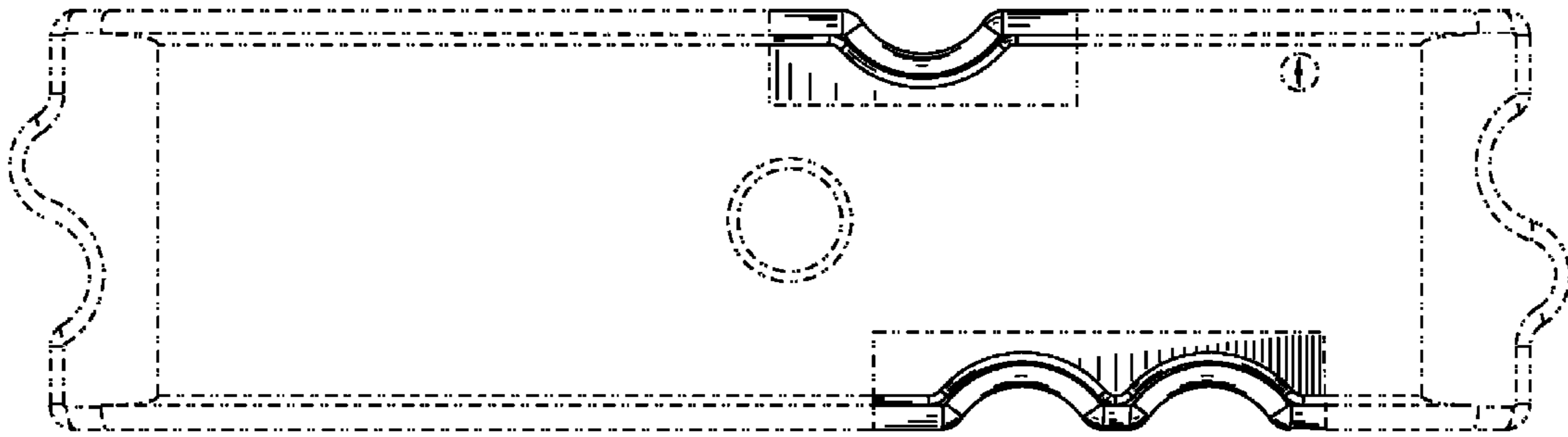
**FIG. 3**



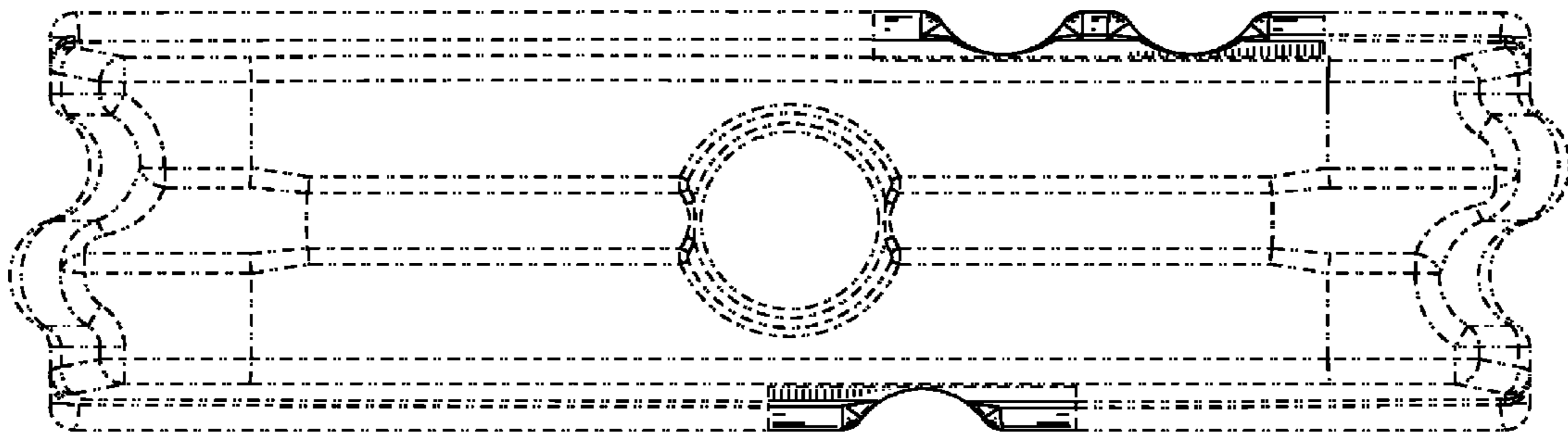
**FIG. 4**



**FIG. 5**



**FIG. 6**



**FIG. 7**