



US00D630679S

(12) **United States Design Patent**
Yoshioka et al.

(10) **Patent No.:** **US D630,679 S**

(45) **Date of Patent:** **** Jan. 11, 2011**

(54) **PRINTER**

(75) Inventors: **Ichiro Yoshioka**, Suwa (JP); **Kenji Yanagisawa**, Suwa (JP); **Hiroto Miyauchi**, Suwa (JP); **Tomoyuki Mokuo**, Suwa (JP); **Hidenori Harada**, Suwa (JP)

(73) Assignee: **Seiko Epson Corporation** (JP)

(**) Term: **14 Years**

(21) Appl. No.: **29/316,286**

(22) Filed: **Sep. 10, 2009**

(30) **Foreign Application Priority Data**

May 19, 2009 (JP) 2009-011111

(51) **LOC (9) Cl.** **18-02**

(52) **U.S. Cl.** **D18/50; D18/56**

(58) **Field of Classification Search** D18/36-39, D18/50, 54, 54.1, 55; D14/315, 327, 420-425, D14/463-470; 400/613, 613.1-613.4, 690, 400/690.1-690.4, 691-694
See application file for complete search history.

(56) **References Cited**

U.S. PATENT DOCUMENTS

D295,863 S * 5/1988 Sacherman D14/371
D306,582 S * 3/1990 Miyahara et al. D14/126
D324,040 S * 2/1992 Saito et al. D14/126
D336,637 S * 6/1993 Abe et al. D14/337
D383,733 S * 9/1997 Miki D14/336
D396,214 S * 7/1998 Lemke et al. D14/336

D410,464 S * 6/1999 Hakoda D14/501
D412,900 S * 8/1999 Utsugi D14/132
D421,001 S * 2/2000 Miyashita D14/496
D466,551 S * 12/2002 Nagai D18/50
D507,023 S * 7/2005 Simonetti et al. D21/369
D528,147 S * 9/2006 Ono D18/4.5
D582,974 S * 12/2008 Inoue et al. D18/50
7,591,508 B2 * 9/2009 Chang 297/217.3
D607,947 S * 1/2010 Antonopoulos et al. D21/369

* cited by examiner

Primary Examiner—Cathy Anne MacCormac

(74) *Attorney, Agent, or Firm*—Harness, Dickey & Pierce, P.L.C.

(57) **CLAIM**

The ornamental design for a printer, as shown and described.

DESCRIPTION

FIG. 1 is a perspective view of a printer embodying our new design;

FIG. 2 is a front view thereof;

FIG. 3 is a rear view thereof;

FIG. 4 is a left side view thereof;

FIG. 5 is a right side view thereof;

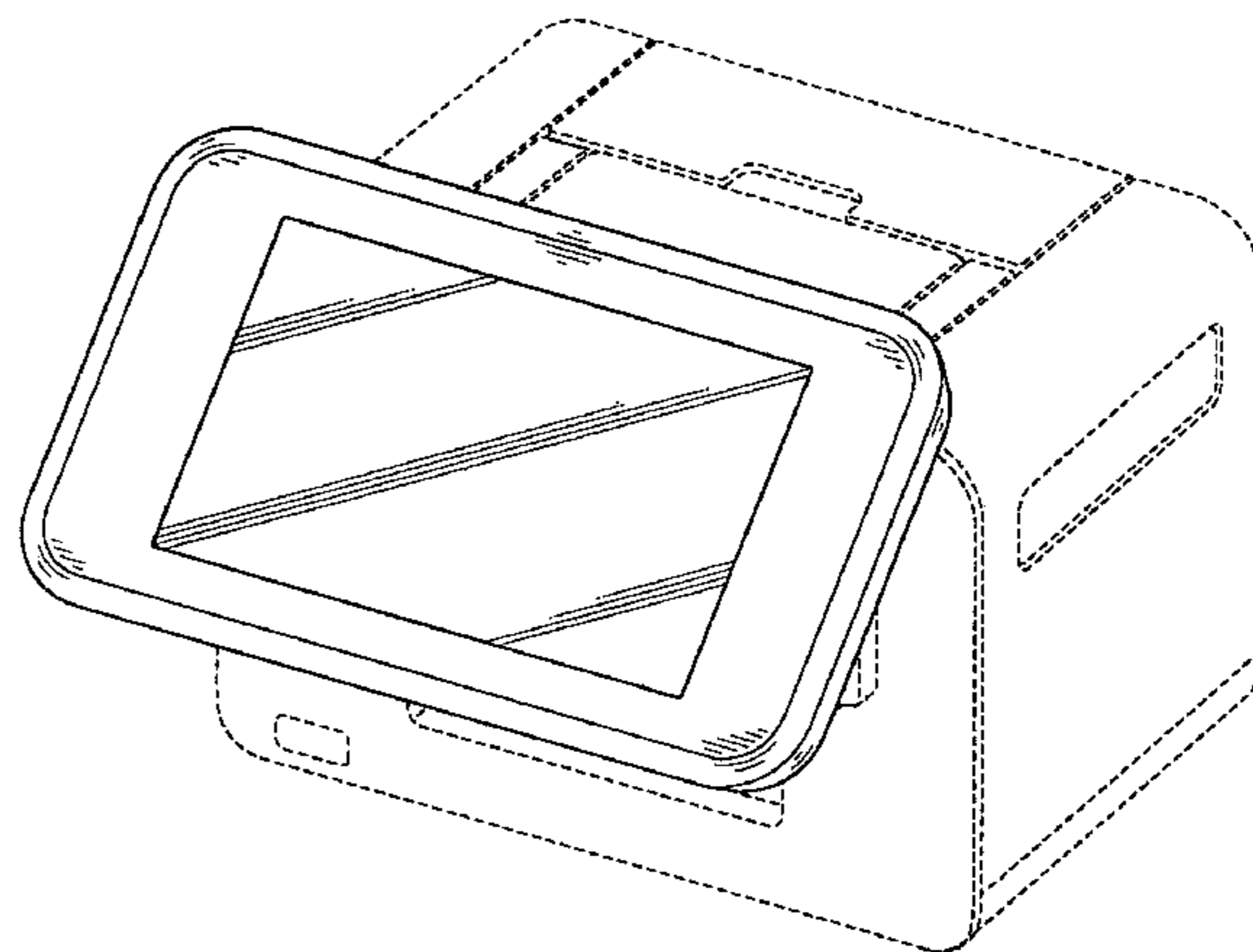
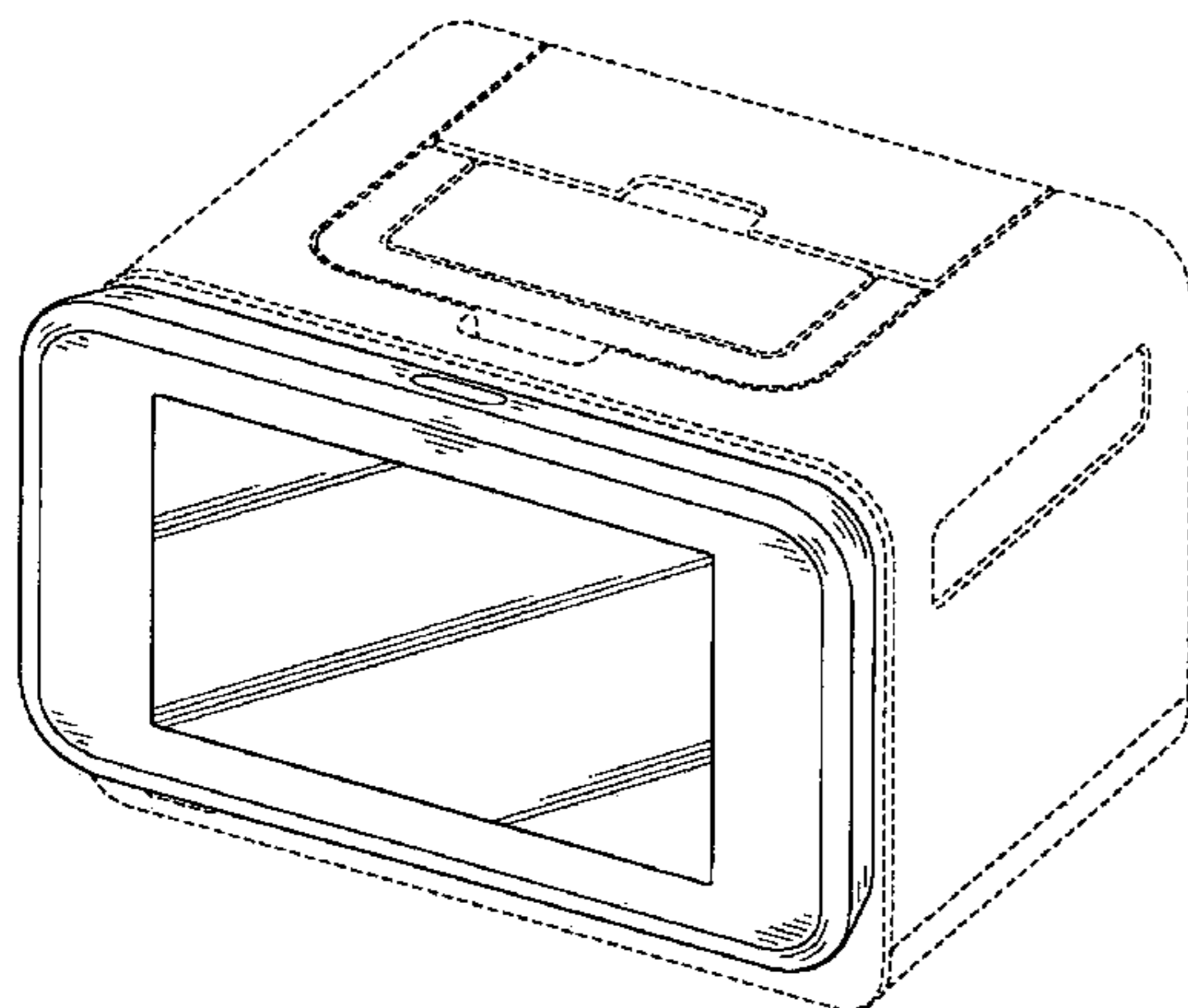
FIG. 6 is a top view thereof;

FIG. 7 is a bottom view thereof; and,

FIG. 8 is a perspective view thereof, similar to FIG. 1 but illustrating the front panel in a tilted position.

The broken lines are for illustrative purposes only and do not form part of the claimed design.

1 Claim, 5 Drawing Sheets



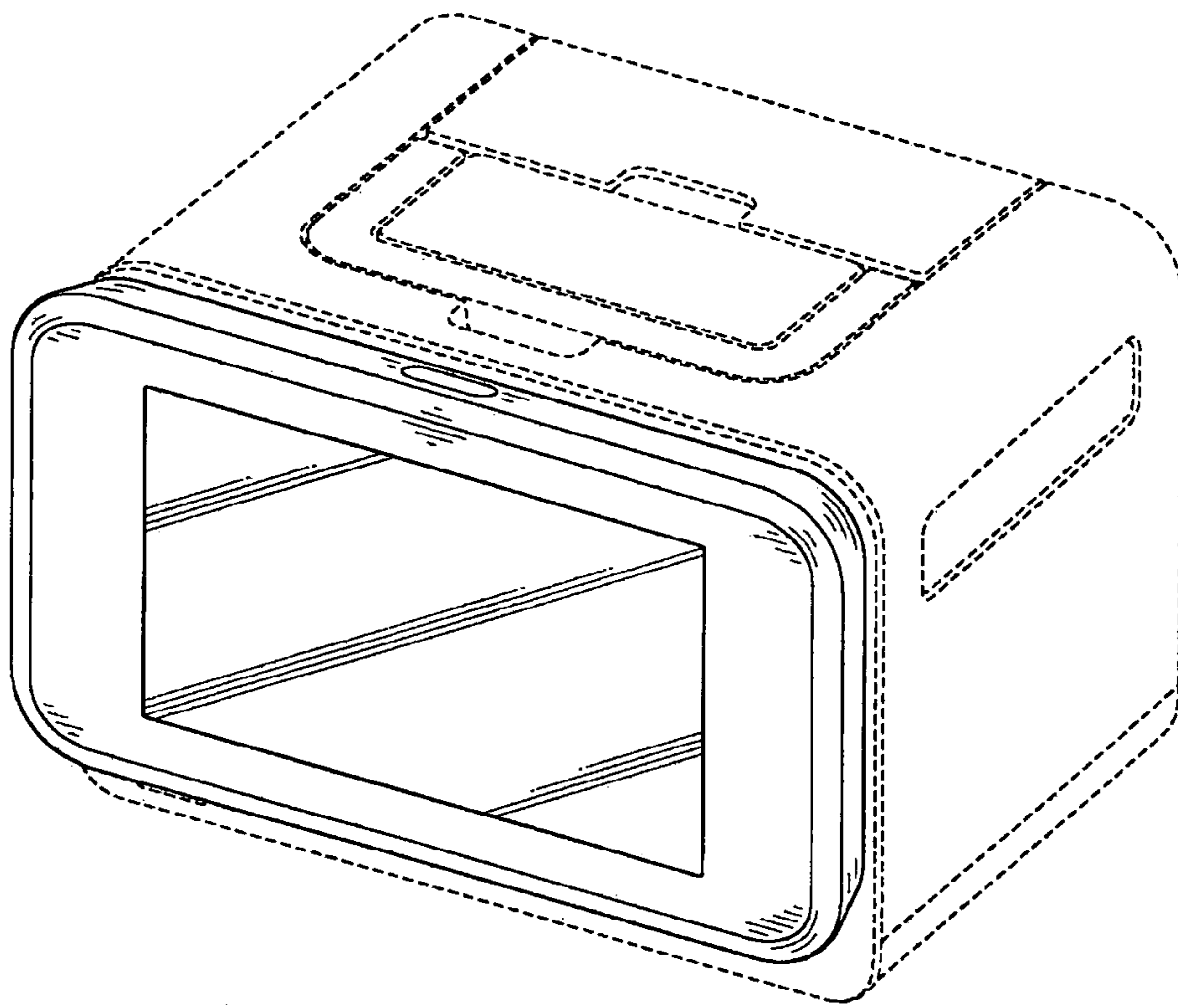


FIG. 1

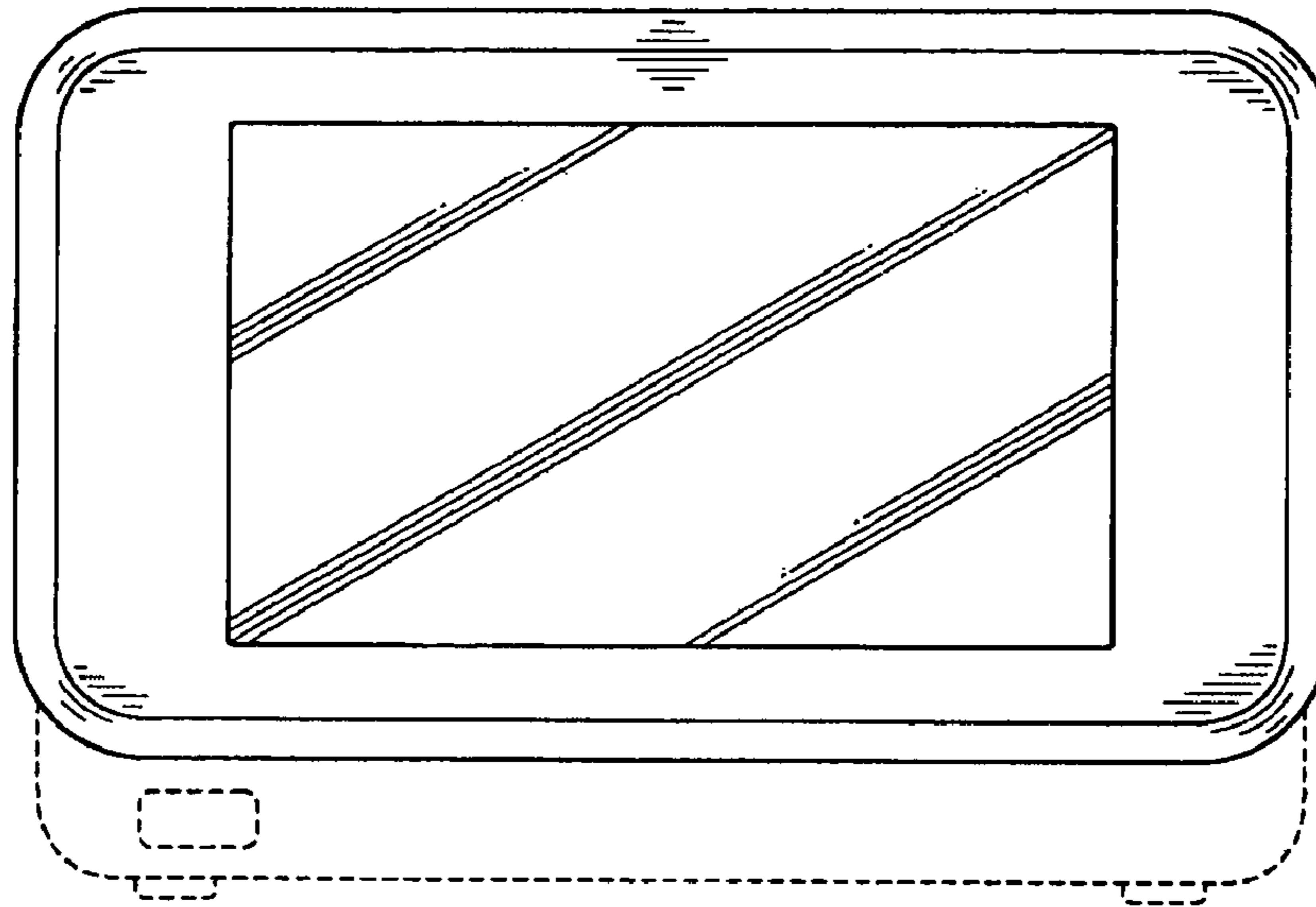


FIG. 2

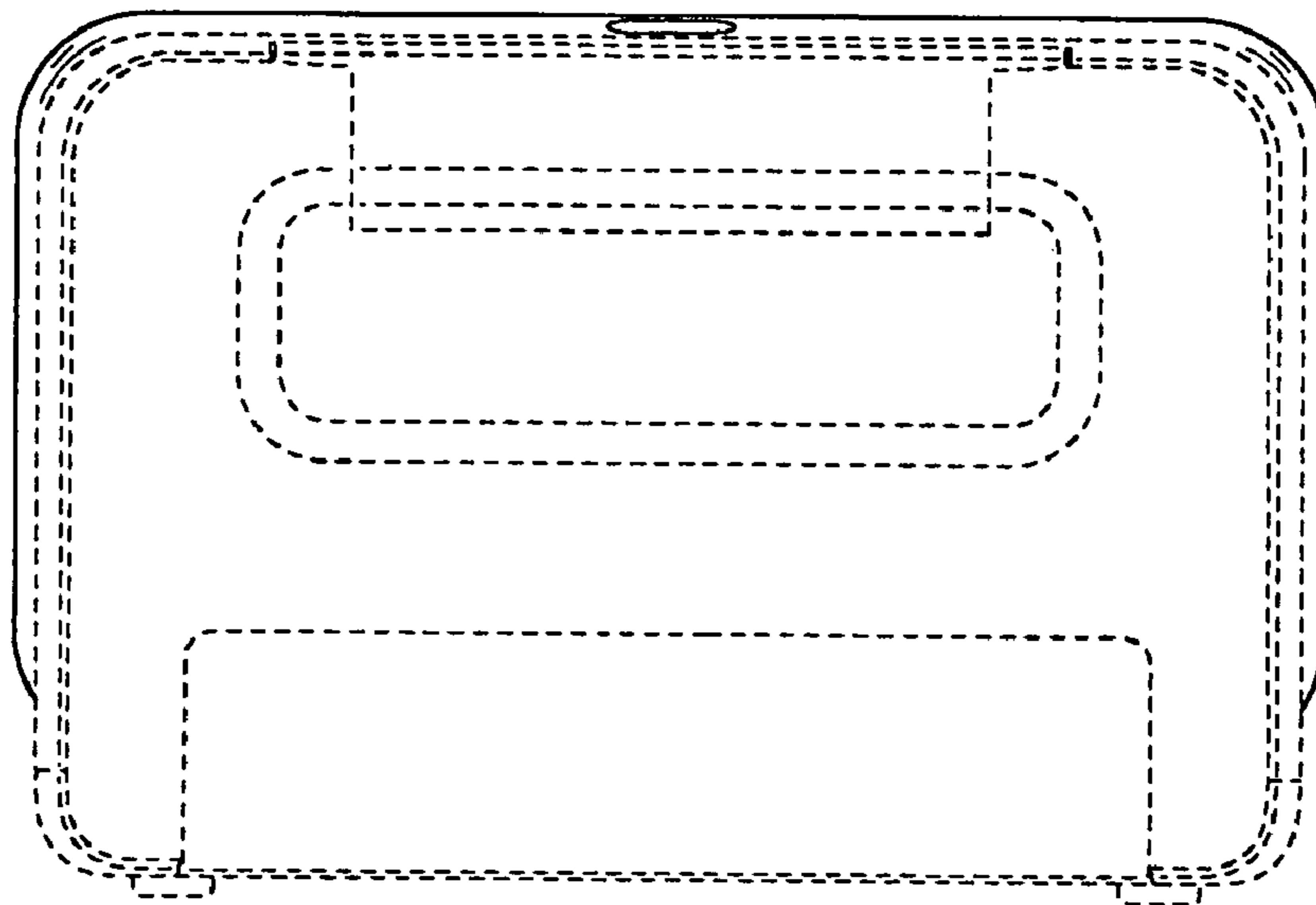


FIG. 3

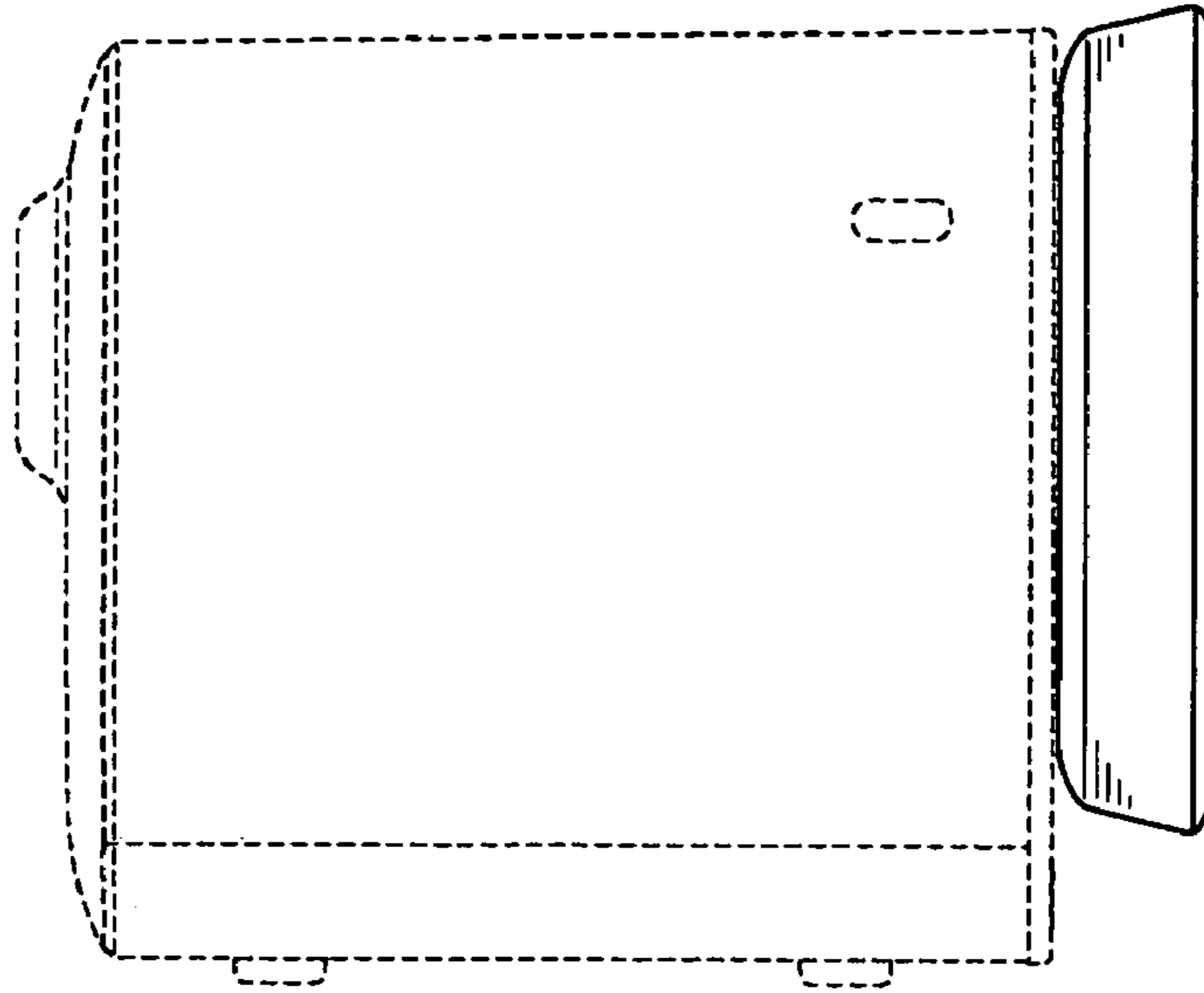


FIG. 4

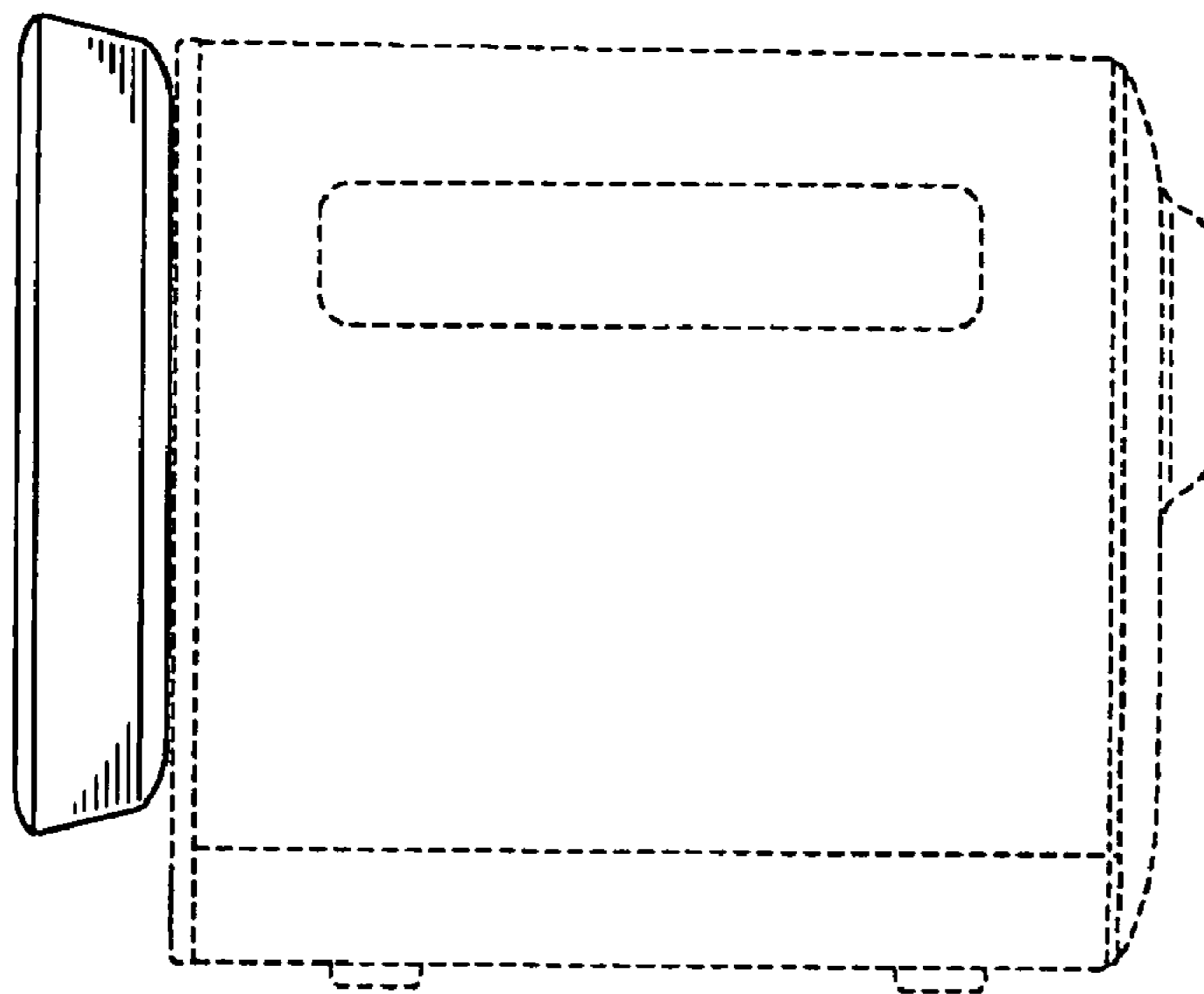


FIG. 5

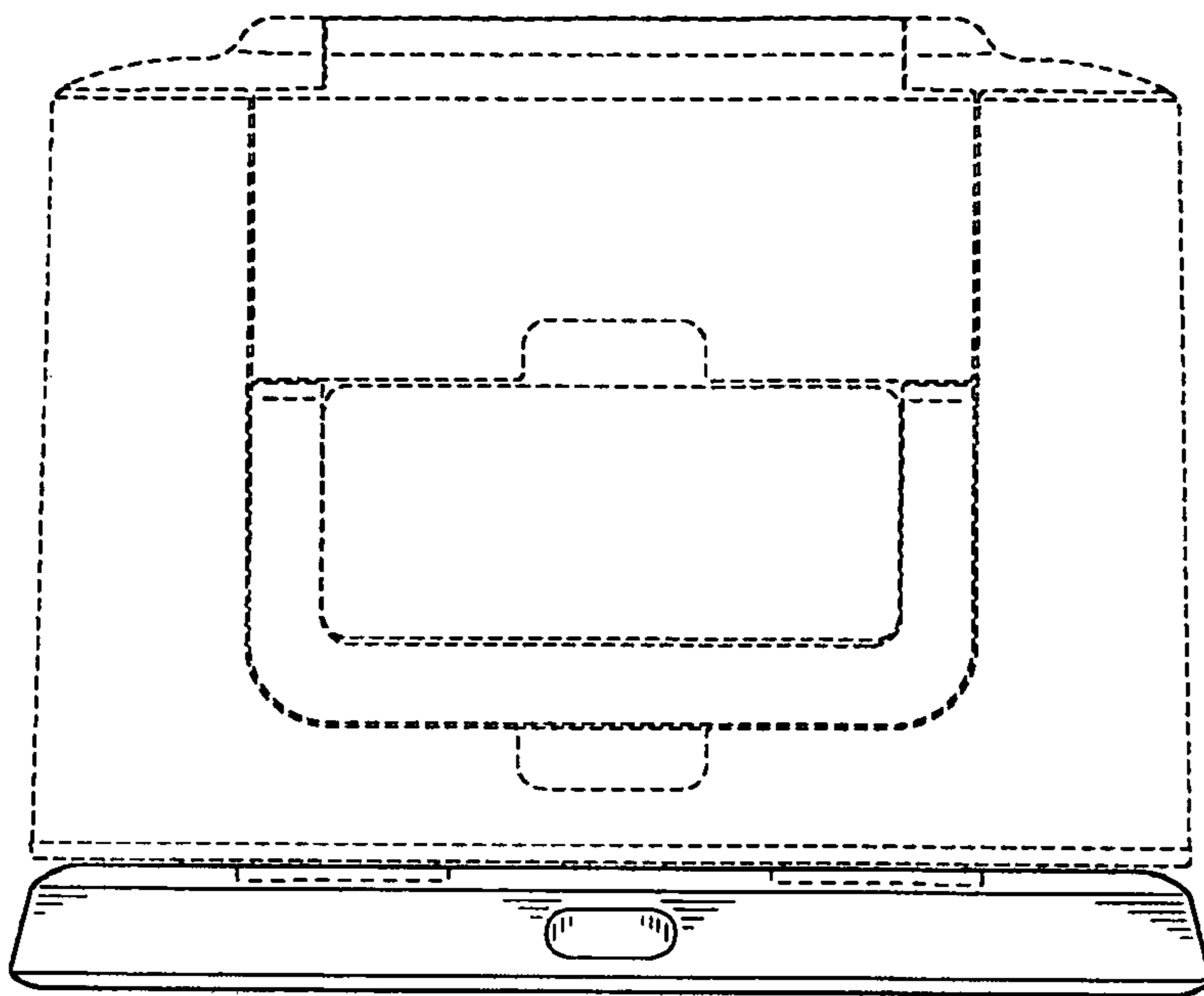


FIG. 6

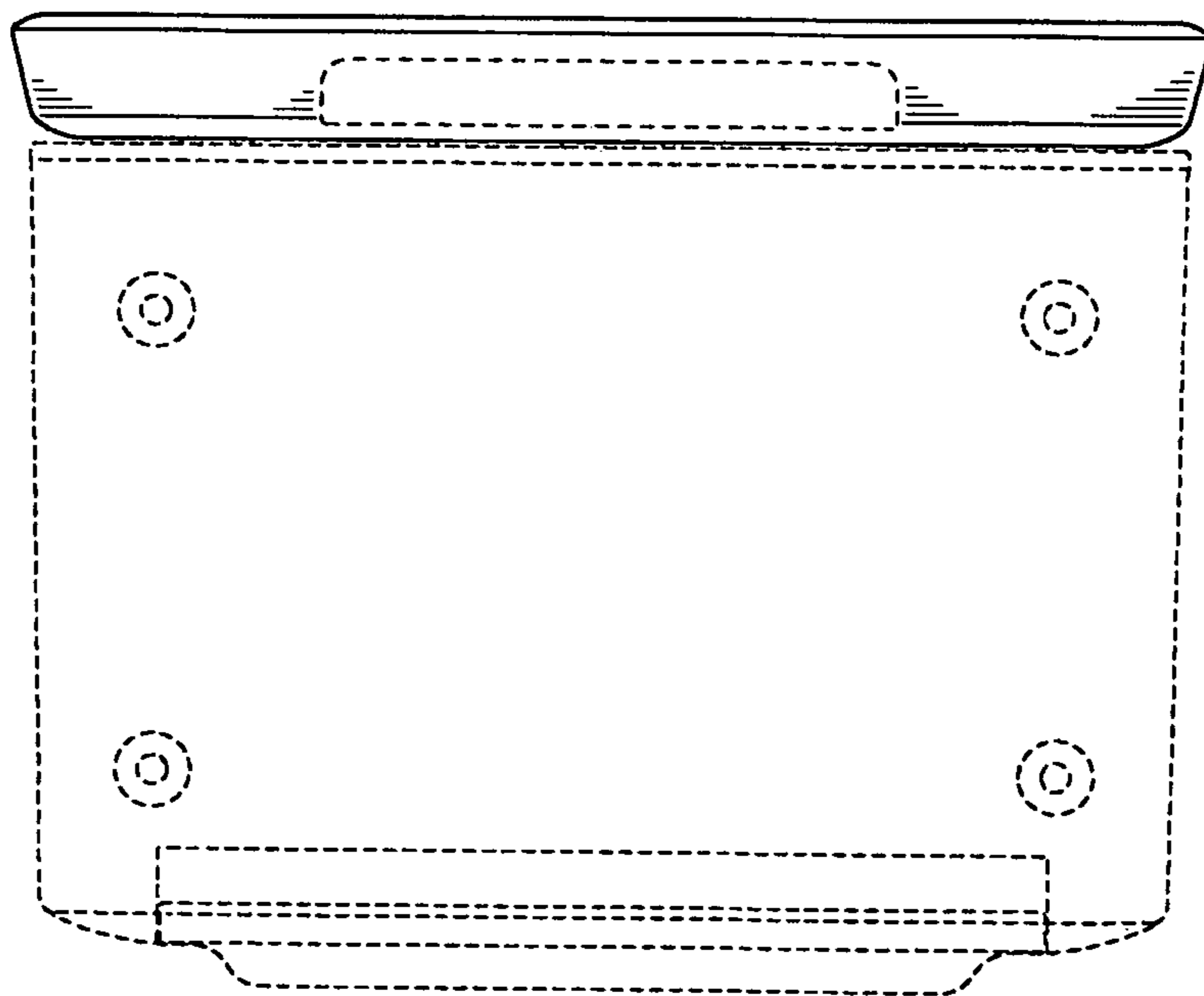


FIG. 7

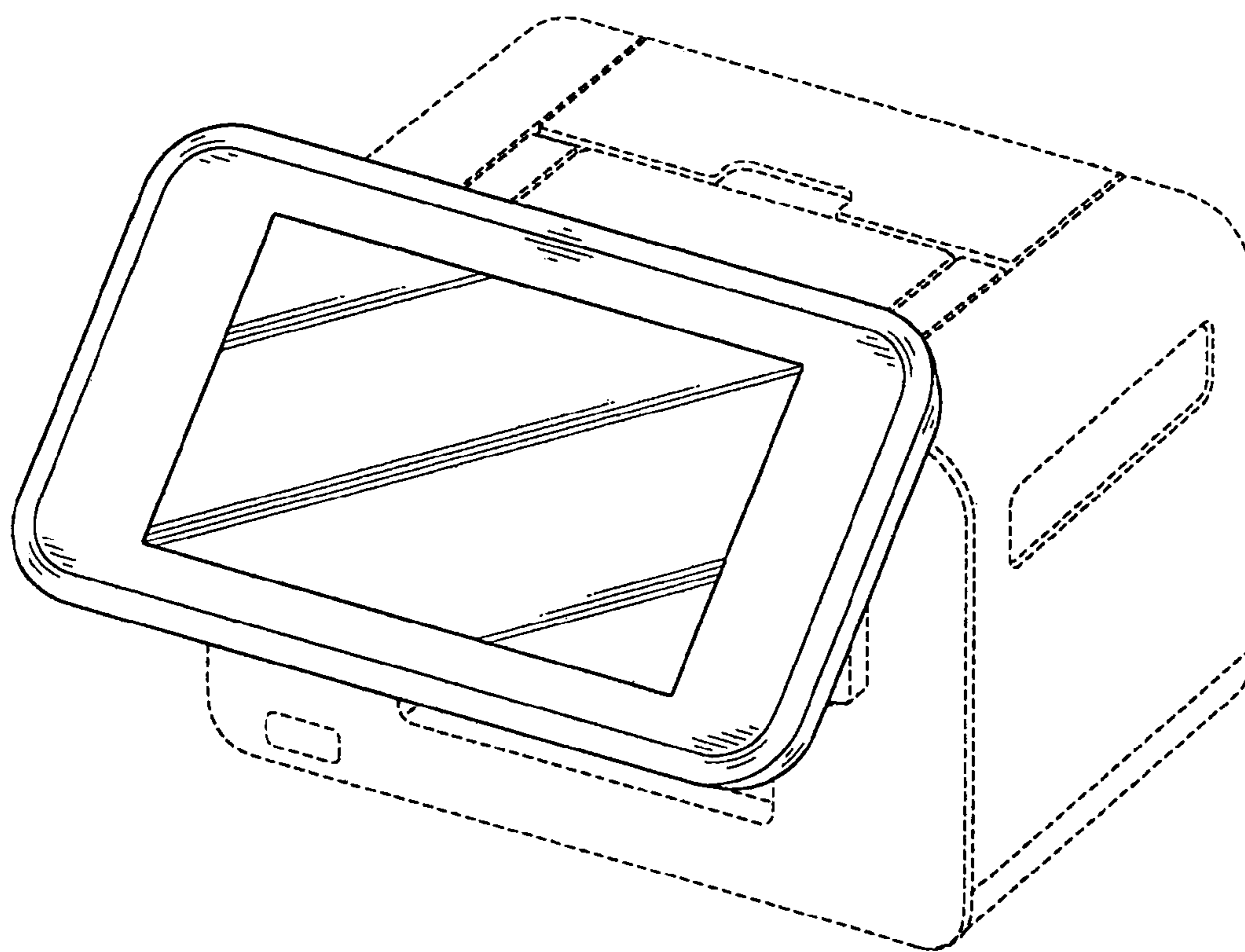


FIG. 8