



US00D630678S

(12) **United States Design Patent**
Takiguchi et al.

(10) **Patent No.:** **US D630,678 S**

(45) **Date of Patent:** **** Jan. 11, 2011**

(54) **TONER CARTRIDGE**

(75) Inventors: **Toshio Takiguchi**, Saitama (JP);
Kazuaki Sugawara, Saitama (JP)

(73) Assignee: **Fuji Xerox Co., Ltd.**, Tokyo (JP)

(**) Term: **14 Years**

(21) Appl. No.: **29/357,705**

(22) Filed: **Mar. 16, 2010**

(30) **Foreign Application Priority Data**

Sep. 17, 2009 (JP) D2009-021569

(51) **LOC (9) Cl.** **16-03**

(52) **U.S. Cl.** **D18/43**

(58) **Field of Classification Search** D14/462,
D14/471, 474, 475; D18/12, 36, 40, 43,
D18/44, 56; 222/DIG. 1; 347/197, 214,
347/222; 399/24-28, 107-112, 119, 121,
399/122, 222-224

See application file for complete search history.

(56) **References Cited**

U.S. PATENT DOCUMENTS

D46,020	S *	6/1914	Crowley	D18/12
5,722,014	A *	2/1998	Fike	399/119
D398,634	S *	9/1998	Katayama et al.	D18/43
D431,260	S *	9/2000	Kohno et al.	D18/43
D469,119	S *	1/2003	Shiba	D18/43
6,615,008	B2 *	9/2003	Higeta et al.	399/109
D484,178	S *	12/2003	Penke et al.	D18/40
7,068,964	B2 *	6/2006	Martin	399/109
D576,668	S *	9/2008	Okino et al.	D18/43
D614,232	S *	4/2010	Yamada	D18/43

2002/0021909	A1 *	2/2002	Harumoto	399/27
2010/0008698	A1 *	1/2010	Ichikawa et al.	399/119
2010/0098456	A1 *	4/2010	Murase et al.	399/110

* cited by examiner

Primary Examiner—Garth Rademaker

(74) *Attorney, Agent, or Firm*—Oliff & Berridge, PLC

(57) **CLAIM**

The ornamental design for a toner cartridge, as shown and described.

DESCRIPTION

FIG. 1 is a perspective view of top, front and left side of a toner cartridge showing our new design;

FIG. 2 is a front view thereof;

FIG. 3 is a rear view thereof;

FIG. 4 is a top plan view thereof;

FIG. 5 is a bottom view thereof;

FIG. 6 is a left side view thereof;

FIG. 7 is a right side view thereof;

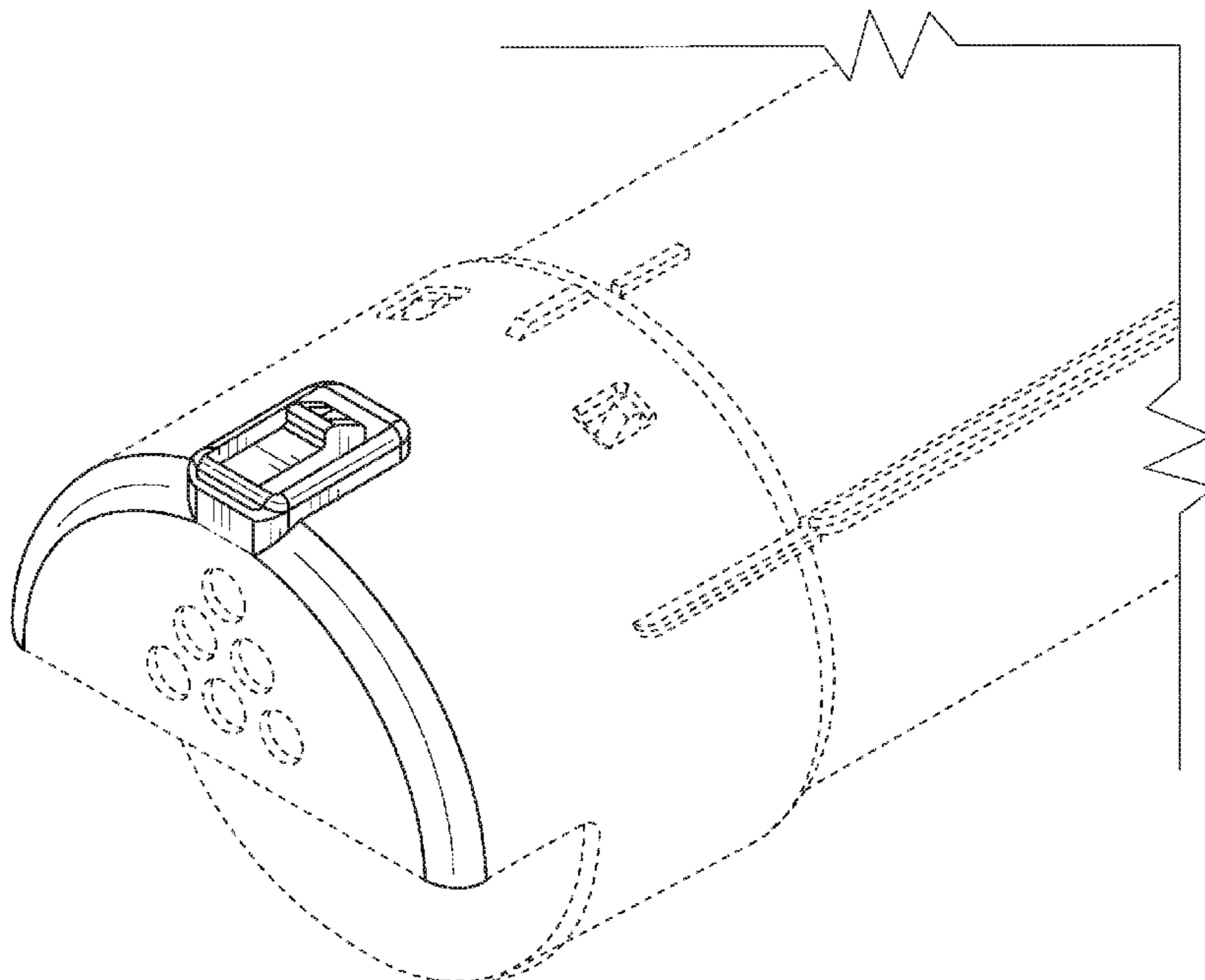
FIG. 8 is a partially enlarged perspective view of top, front and left side thereof;

FIG. 9 is a partially enlarged perspective view of bottom, rear and left side thereof; and,

FIG. 10 is a partially enlarged perspective view of top, front and right side thereof.

The evenly-broken lines depict environmental subject matter only and the unevenly-broken lines depict boundaries of the claimed design. None of the material shown in either type of broken line forms any part of the claimed design.

1 Claim, 7 Drawing Sheets



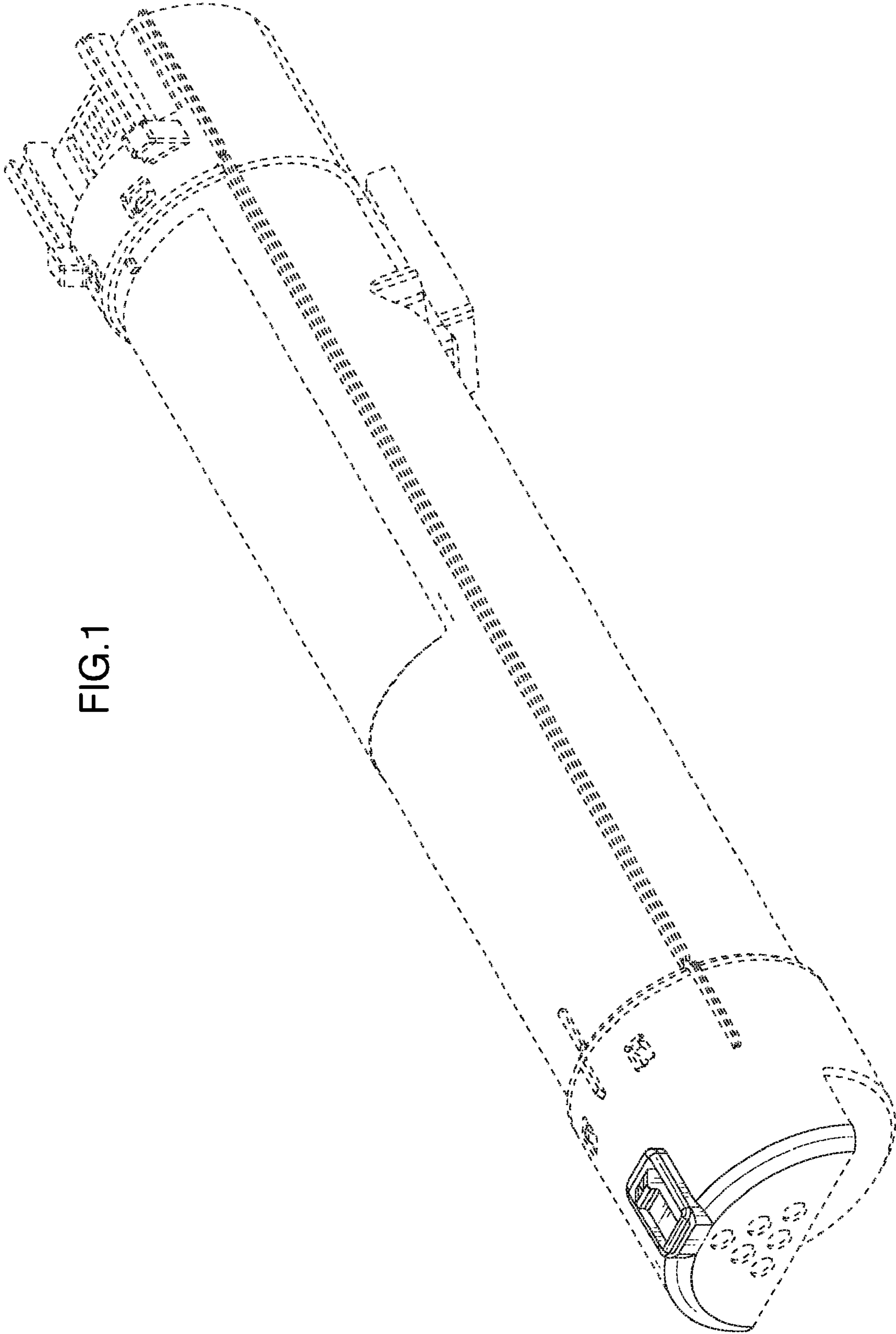


FIG.1

FIG.2

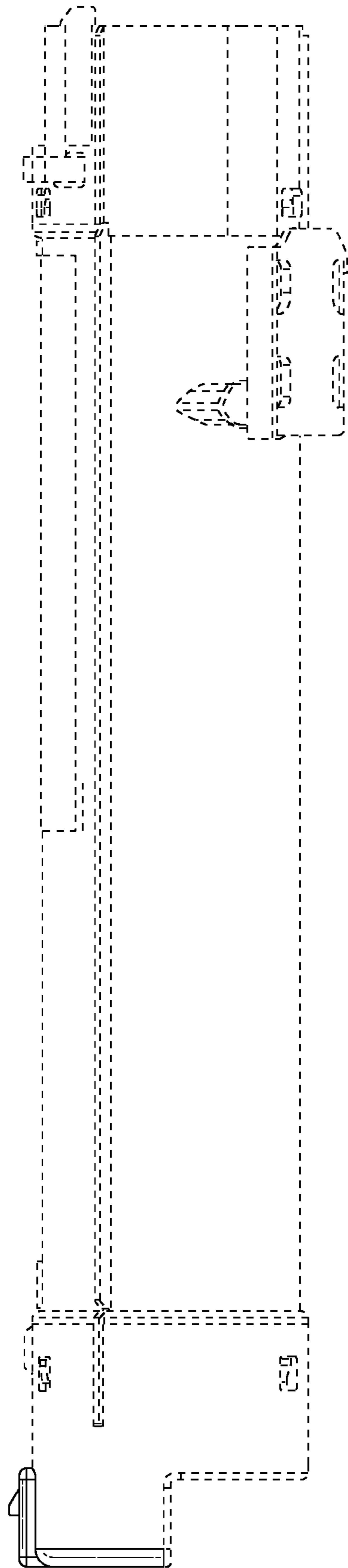


FIG.3

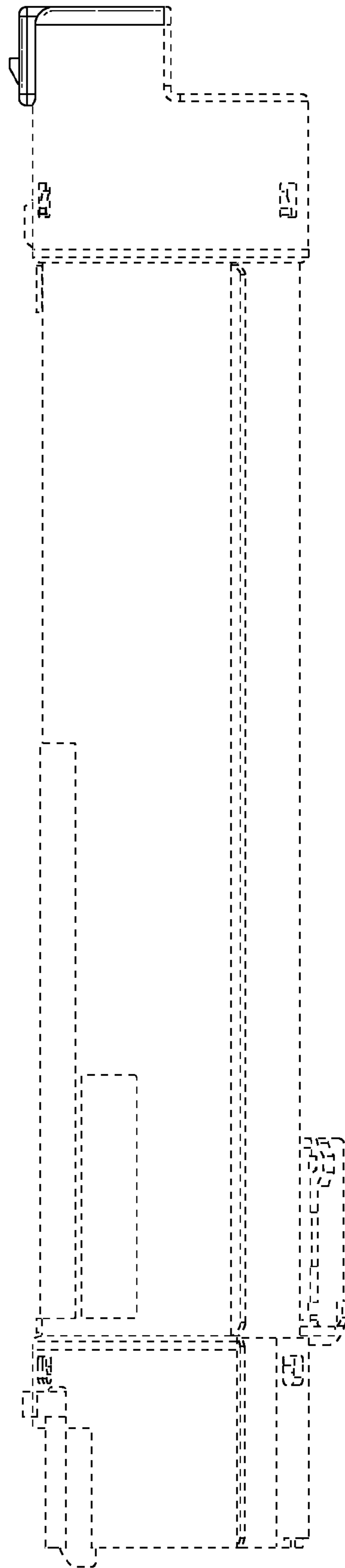


FIG.4

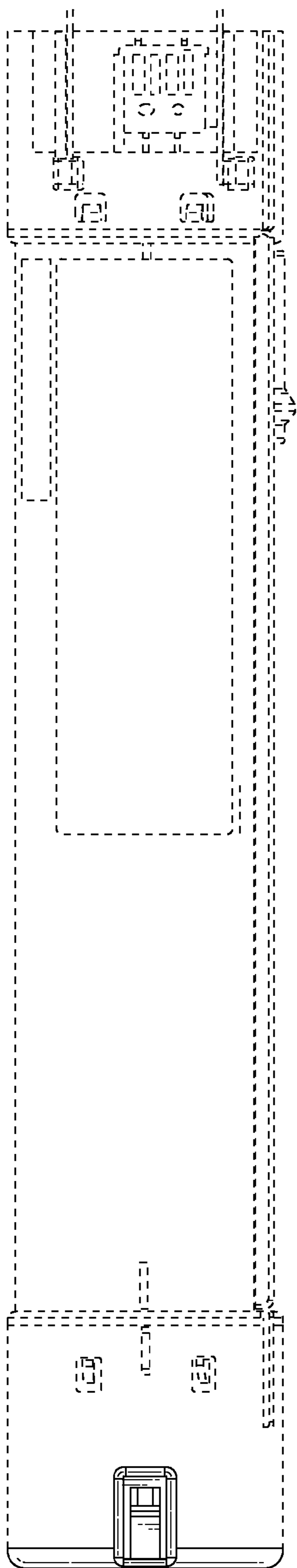


FIG.5

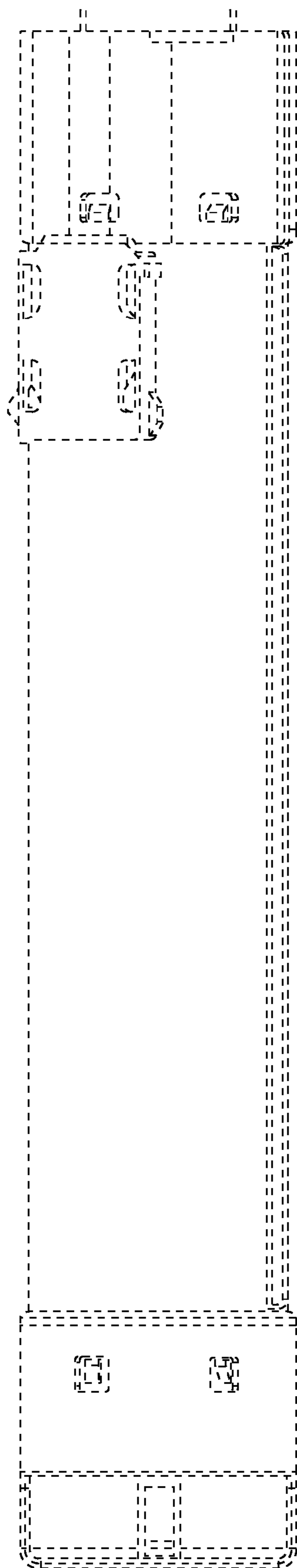


FIG.7

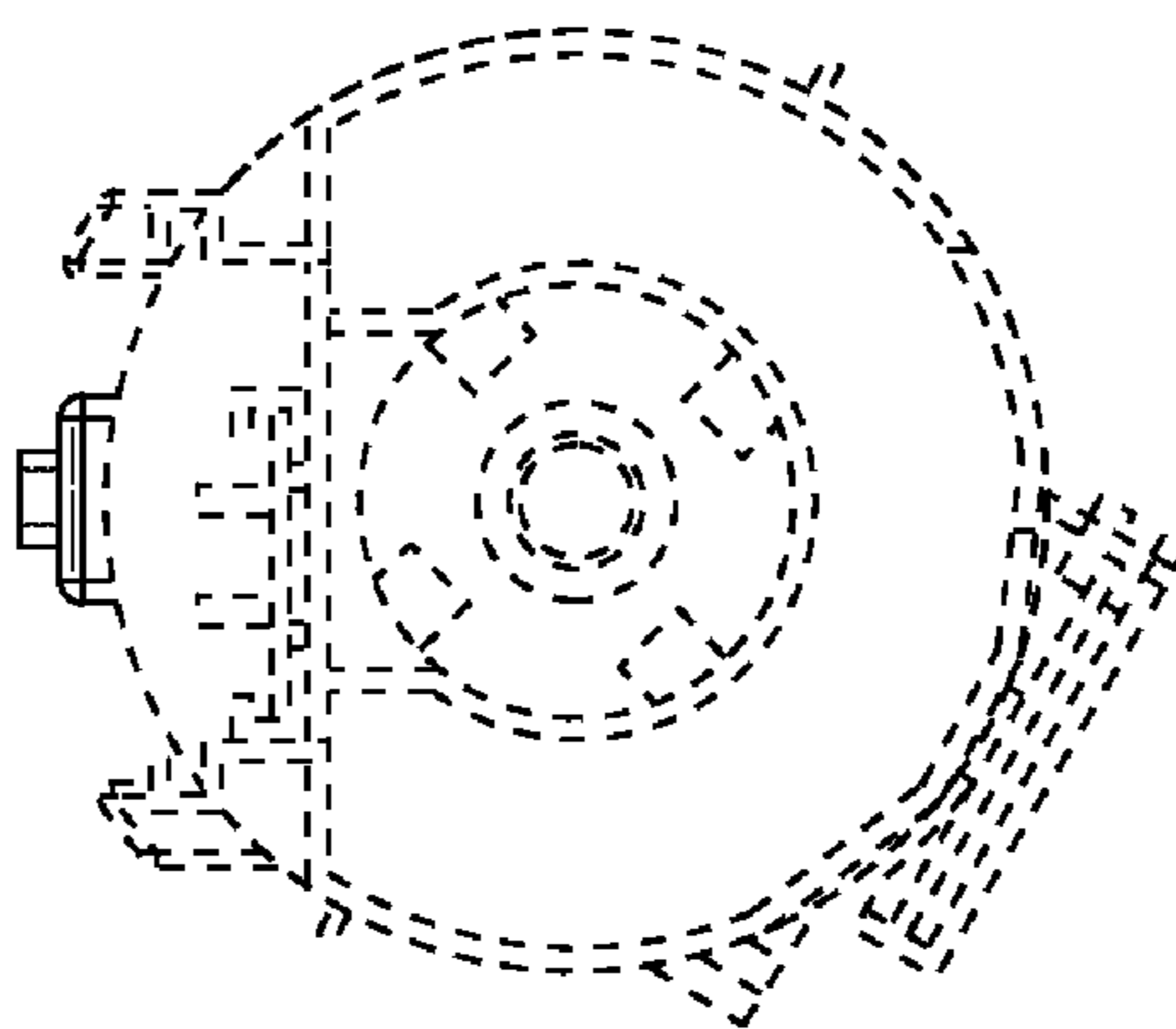


FIG.6

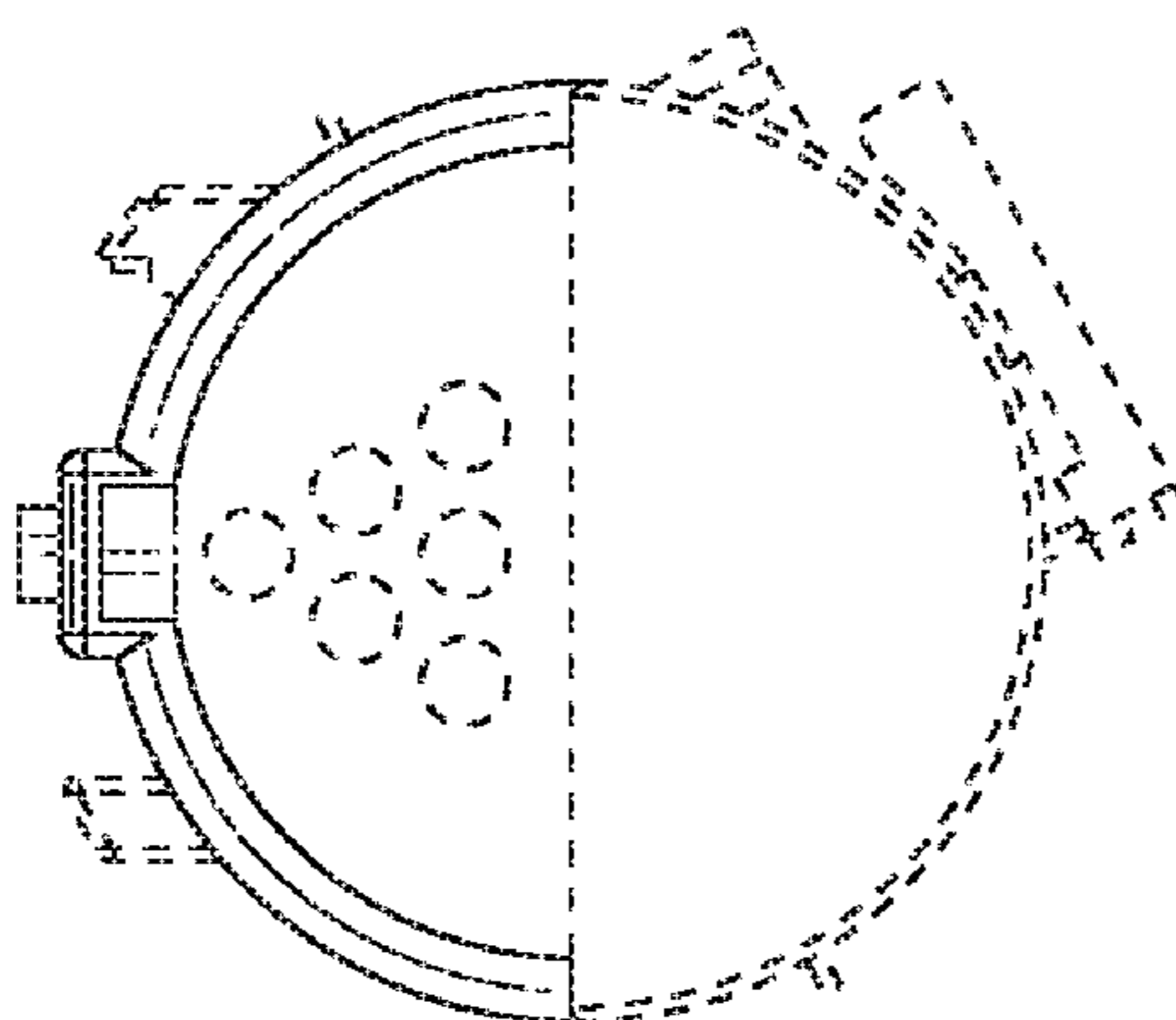


FIG.8

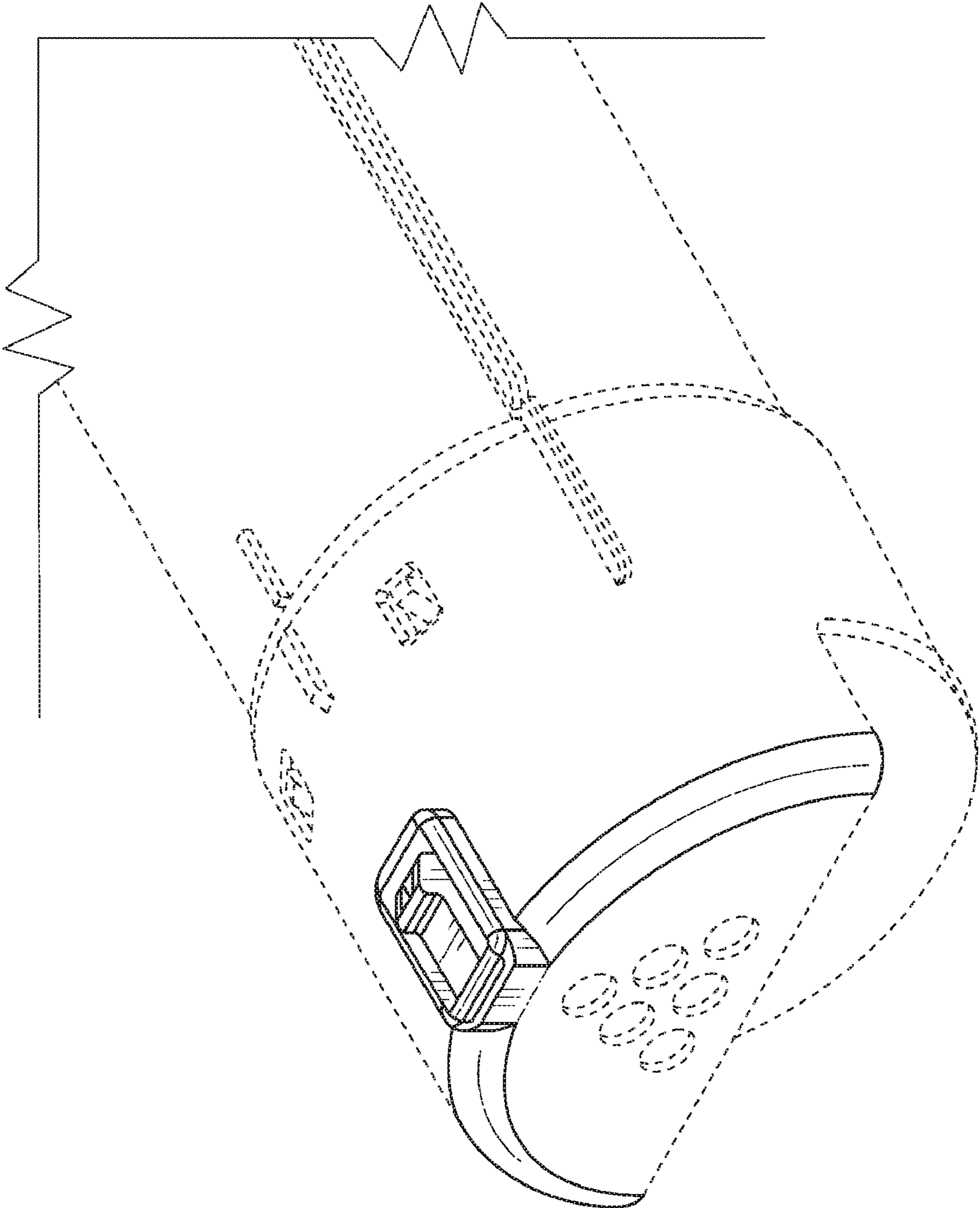


FIG.9

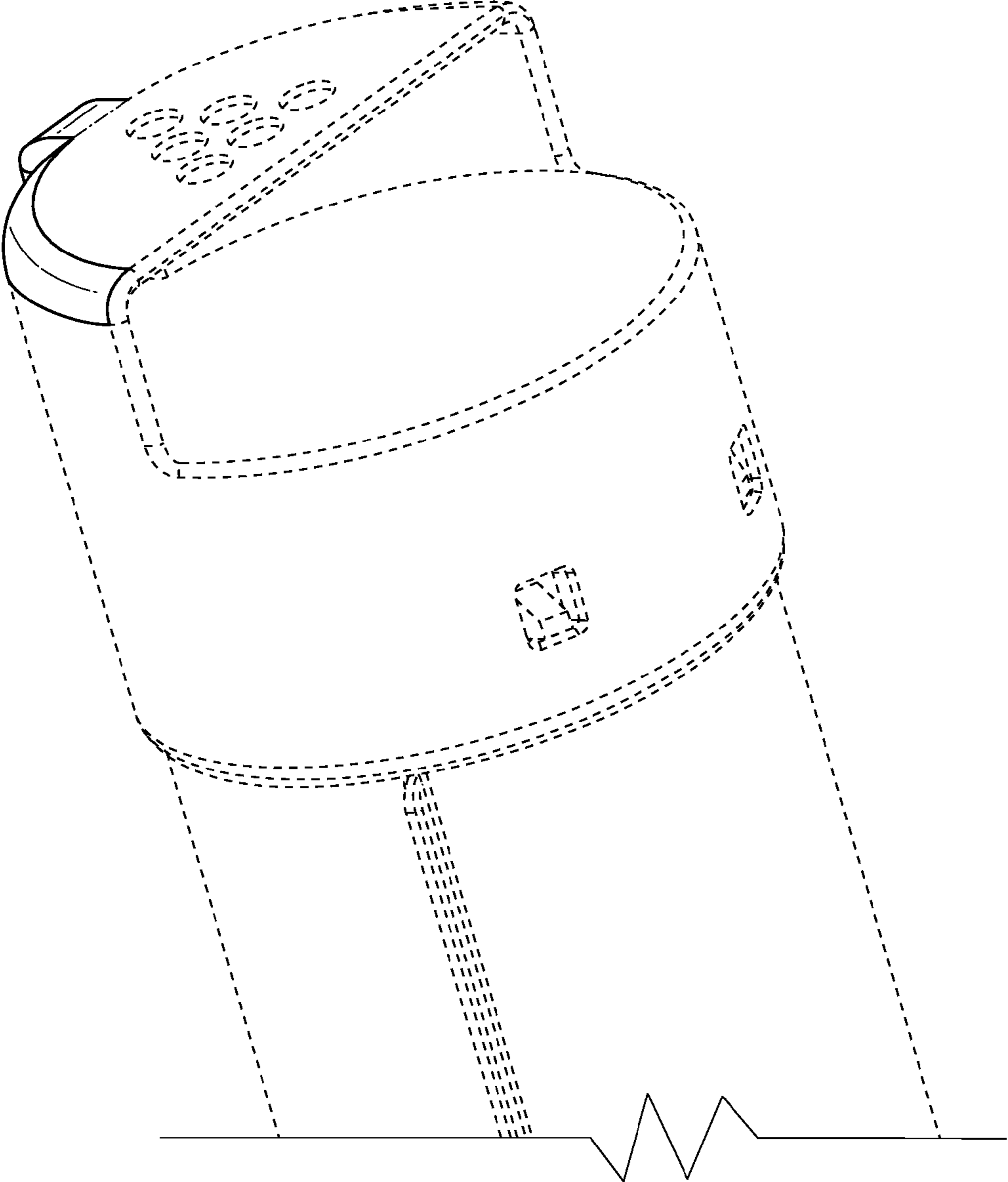


FIG.10

