



US00D630677S

(12) **United States Design Patent**
Shih

(10) **Patent No.:** **US D630,677 S**
(45) **Date of Patent:** **** Jan. 11, 2011**

(54) **STAMP MOUNT COVER**

(75) Inventor: **Hsu-Shen Shih**, Tainan (TW)

(73) Assignee: **Sun Same Enterprises Co., Ltd.**,
Yongkang, Tainan Hsien (TW)

(**) Term: **14 Years**

(21) Appl. No.: **29/375,204**

(22) Filed: **Sep. 18, 2010**

Related U.S. Application Data

(63) Continuation-in-part of application No. 29/342,688,
filed on Aug. 28, 2009.

(51) **LOC (9) Cl.** **19-02**

(52) **U.S. Cl.** **D18/18**

(58) **Field of Classification Search** D18/53,
D18/55, 39, 54, 38, 15-19; 399/81, 107,
399/151, 139; 101/131, 287, 333, 368; D14/303;
400/611-629; 347/86

See application file for complete search history.

(56) **References Cited**

U.S. PATENT DOCUMENTS

3,158,096 A * 11/1964 Arnold 101/368
4,996,921 A * 3/1991 Hong 101/333
D346,396 S * 4/1994 Sculler D18/18
5,647,278 A * 7/1997 Wu 101/368

5,870,953 A * 2/1999 Winston 101/333
5,992,319 A * 11/1999 Hsu 101/368
D446,542 S * 8/2001 Suto D18/18
D459,386 S * 6/2002 Pichler D18/17
D497,629 S * 10/2004 Kuhr D18/17
7,635,180 B2 * 12/2009 Hattori et al. 347/86

* cited by examiner

Primary Examiner—Charles A Rademaker

(74) *Attorney, Agent, or Firm*—Su IP Consulting

(57) **CLAIM**

The ornamental design for a stamp mount cover, as shown and described.

DESCRIPTION

FIG. 1 is a top perspective view of the stamp mount cover in accordance with my design.

FIG. 2 is a bottom perspective view thereof.

FIG. 3 is a top elevation view thereof.

FIG. 4 is a right side elevation view thereof.

FIG. 5 is a left side elevation view thereof.

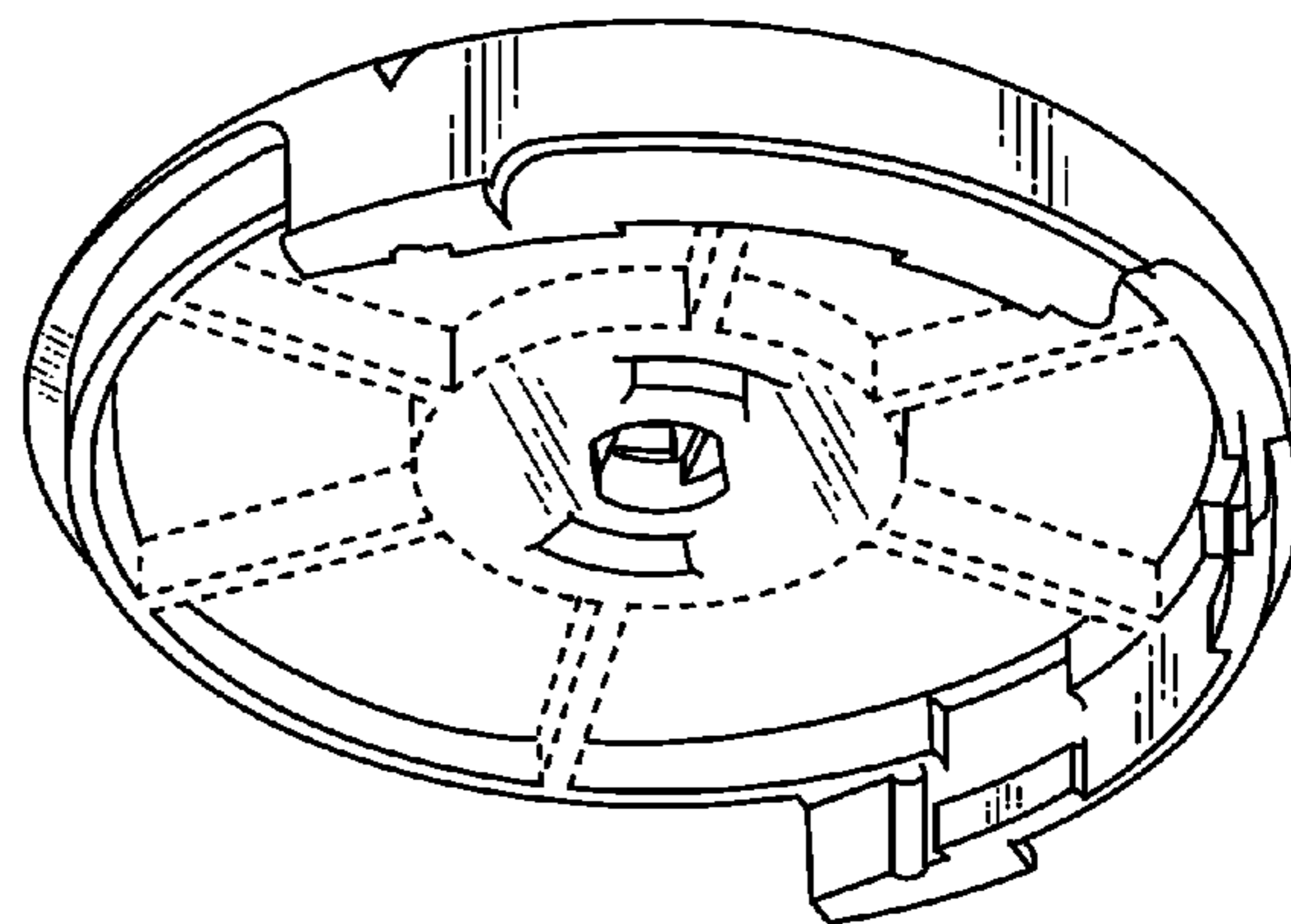
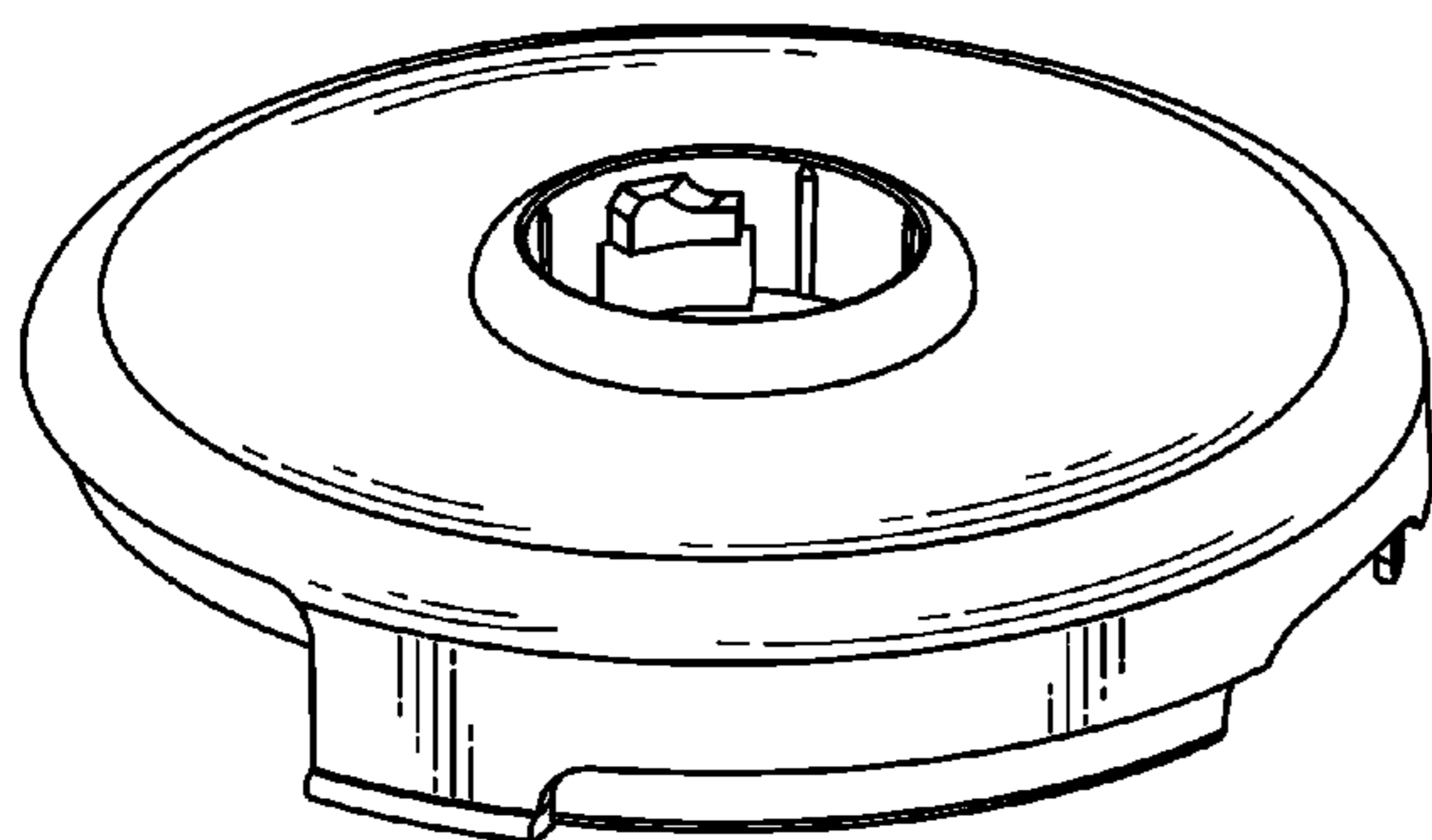
FIG. 6 is a front elevation view thereof.

FIG. 7 is a rear elevation view thereof; and,

FIG. 8 is a bottom elevation view thereof.

The broken lines showing environment structure are for illustrative purposes and form no part of the claimed design.

1 Claim, 8 Drawing Sheets



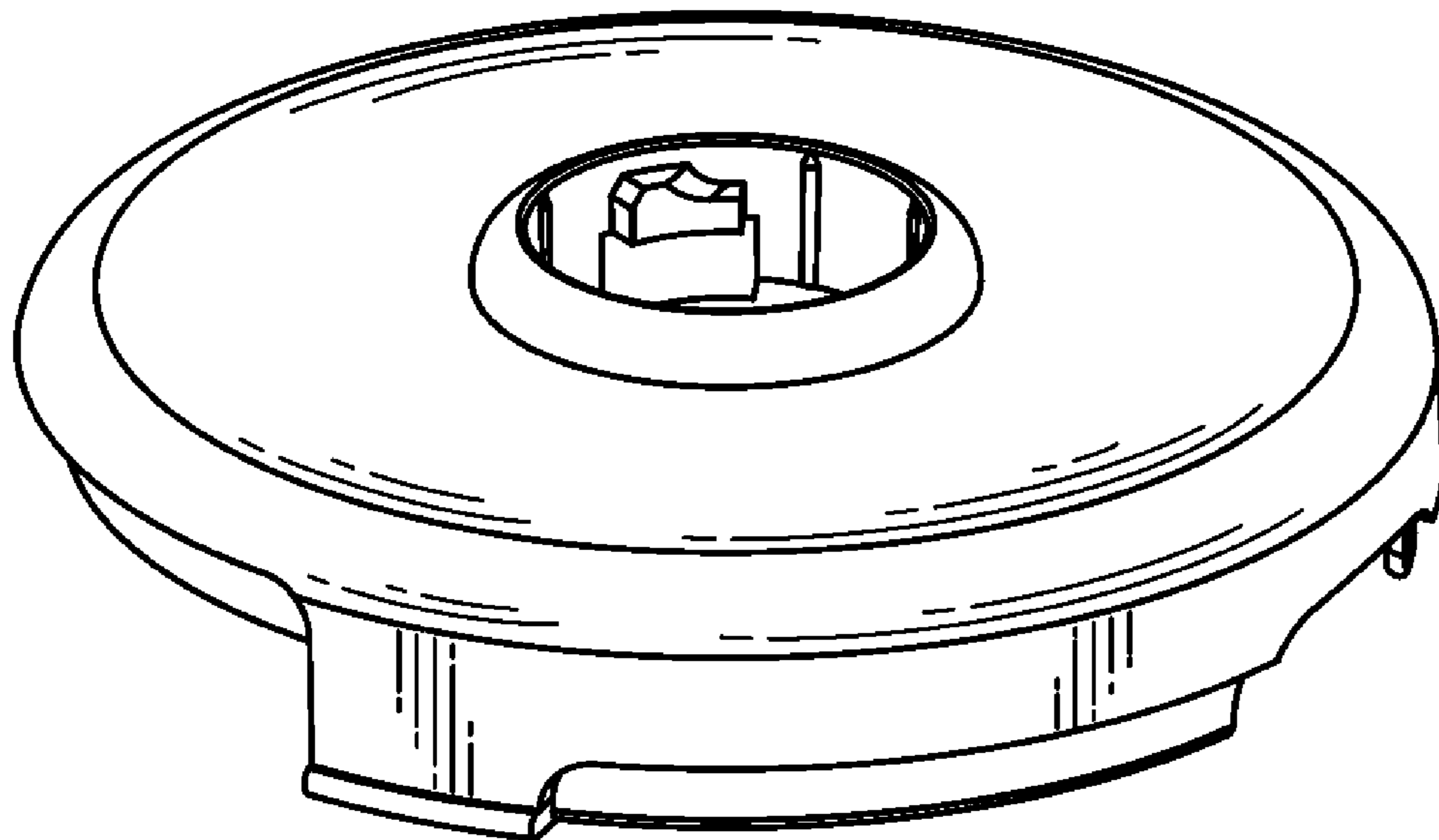


FIG. 1

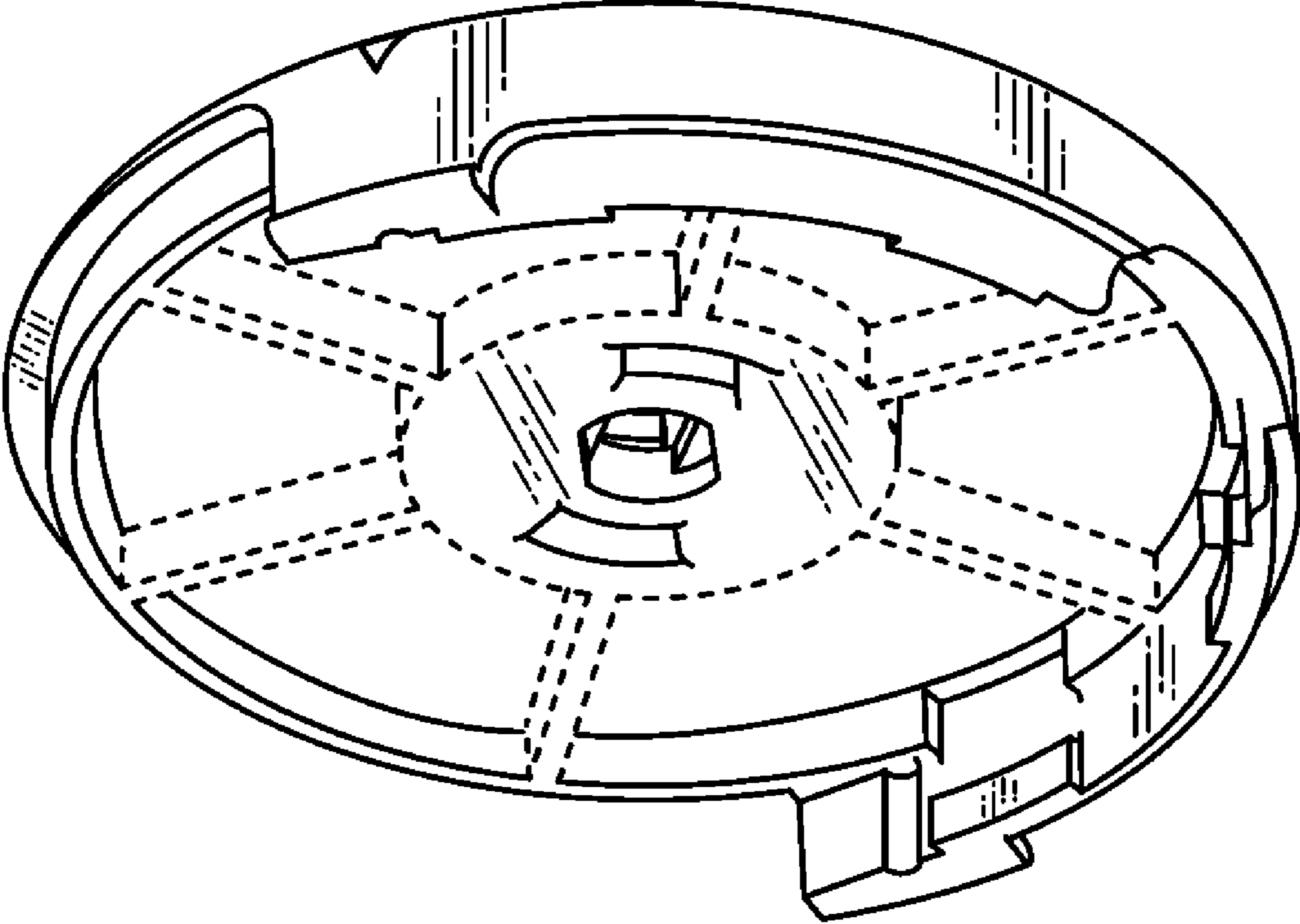


FIG. 2

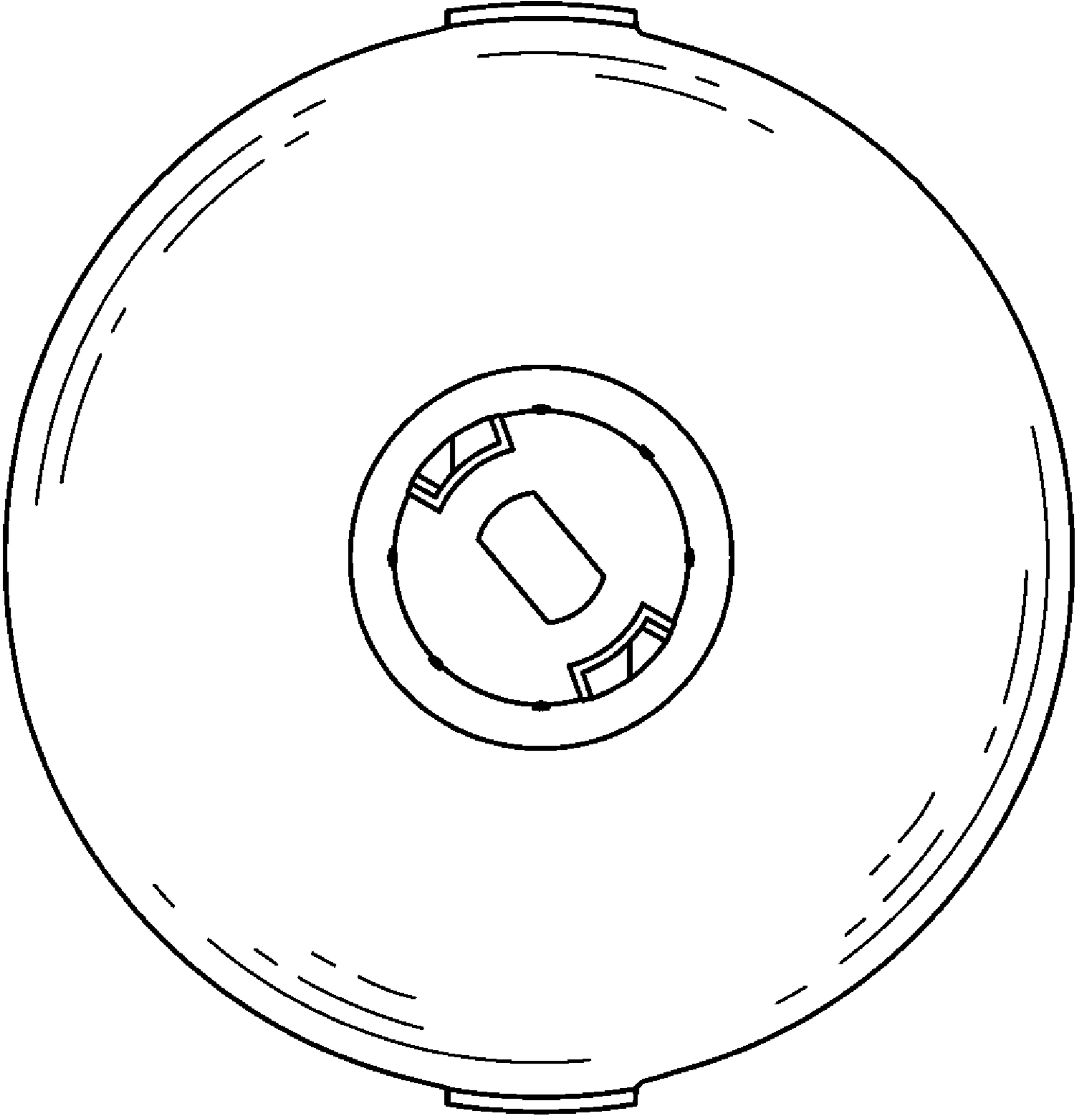


FIG. 3

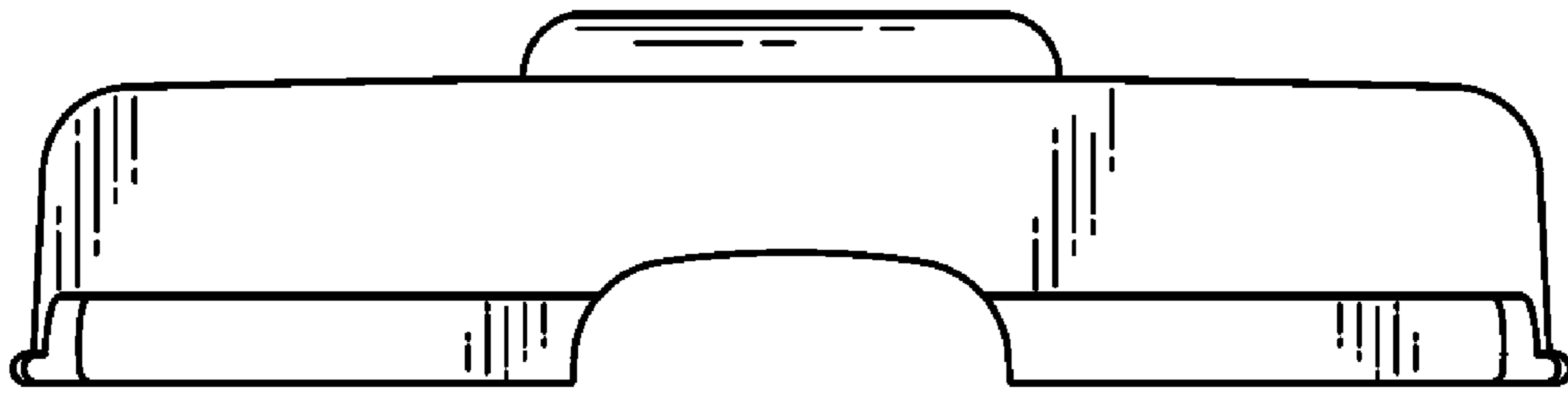


FIG. 4

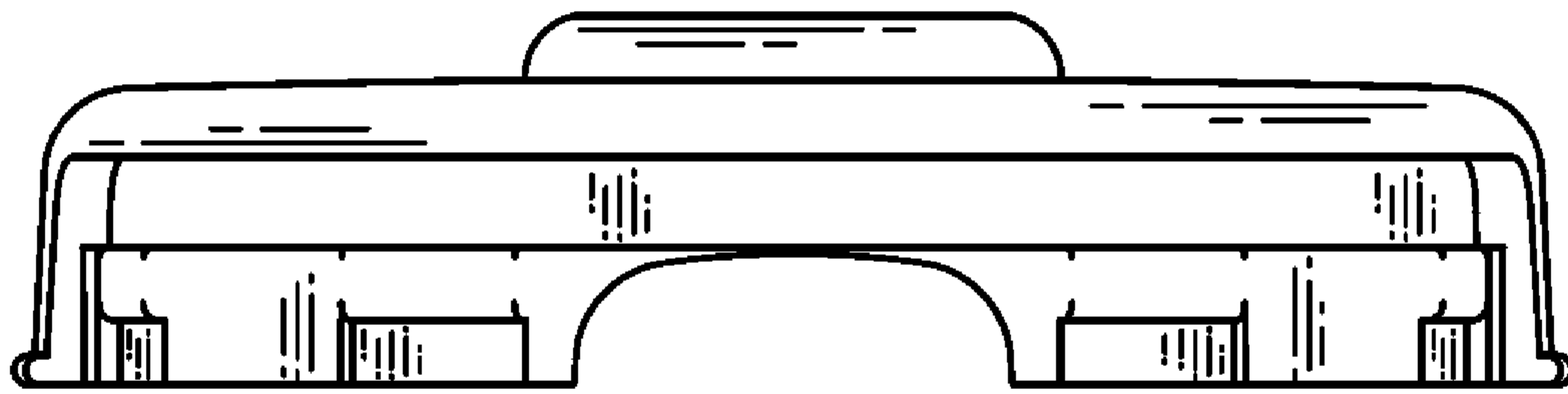


FIG. 5

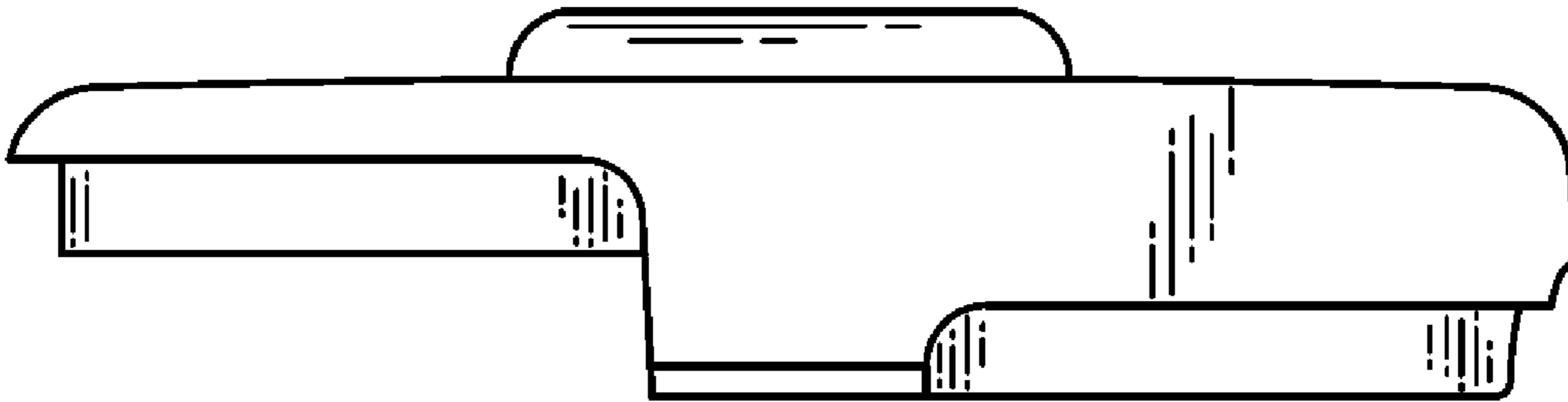


FIG. 6

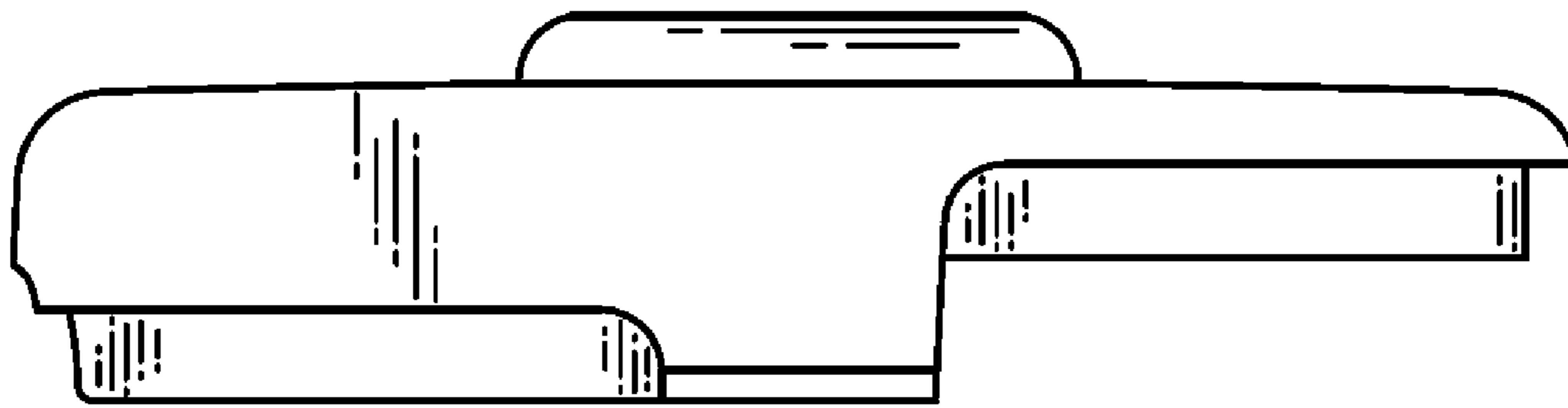


FIG. 7

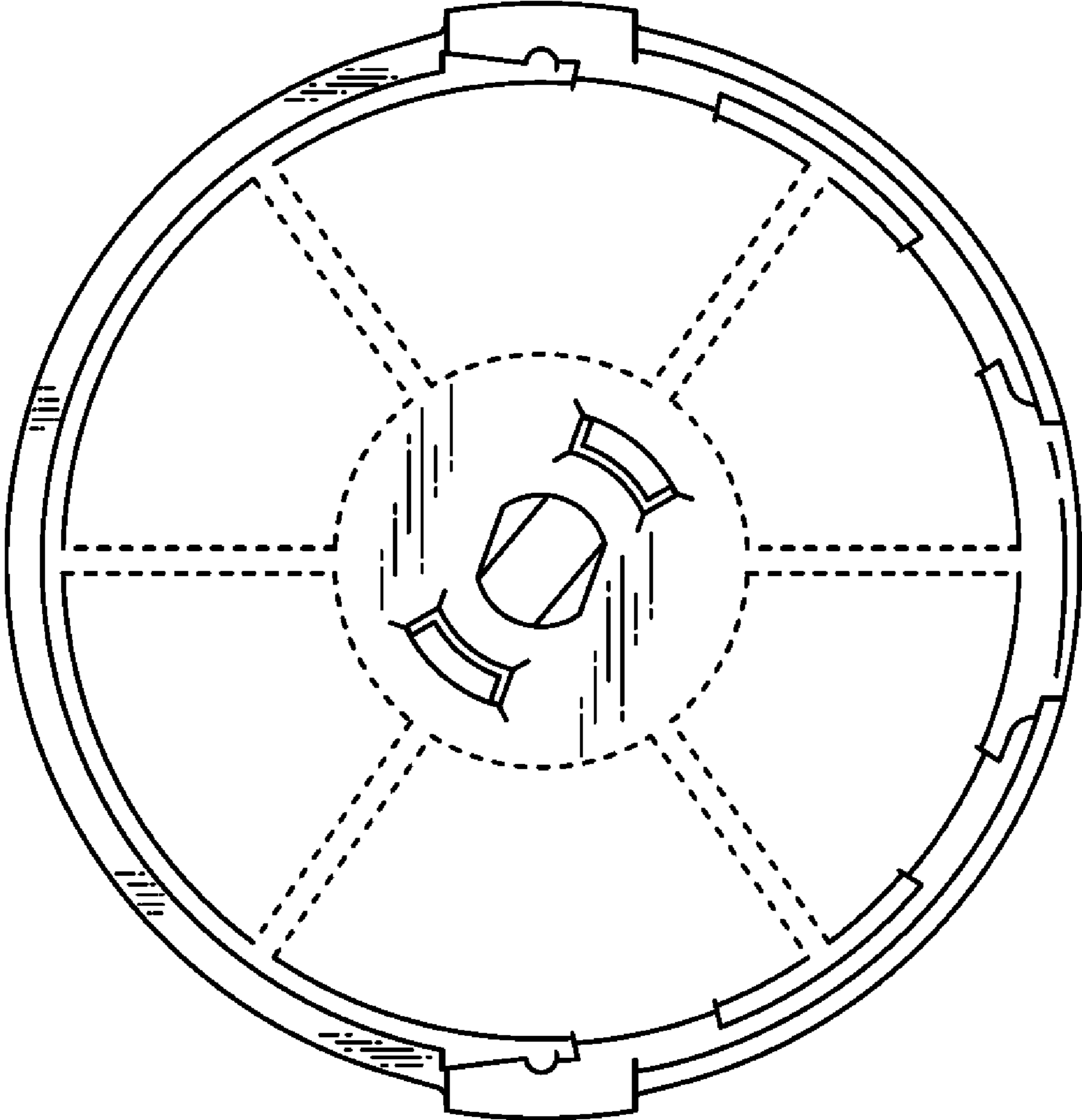


FIG. 8