



US00D630676S

(12) **United States Design Patent**
Toone

(10) **Patent No.:** **US D630,676 S**

(45) **Date of Patent:** **** Jan. 11, 2011**

(54) **GUITAR NECK**

(76) **Inventor:** **Richard Warren Toone**, P.O. Box 471,
Milford, NJ (US) 08848

(**) **Term:** **14 Years**

(21) **Appl. No.:** **29/312,500**

(22) **Filed:** **Oct. 25, 2008**

(51) **LOC (9) Cl.** **17-03**

(52) **U.S. Cl.** **D17/20**

(58) **Field of Classification Search** D17/14,
D17/15, 20, 18, 19; 84/267, 290–293, 314 R
See application file for complete search history.

(56) **References Cited**

U.S. PATENT DOCUMENTS

3,072,007	A *	1/1963	Burke	84/267
D225,275	S *	11/1972	Owens	D17/19
4,145,948	A *	3/1979	Turner	84/293
4,250,790	A *	2/1981	Shubb et al.	84/318
4,359,924	A *	11/1982	Brunet	84/293
4,483,233	A *	11/1984	Benson	84/263
4,759,250	A *	7/1988	Lieber	84/293
5,140,887	A *	8/1992	Chapman	84/646
5,388,024	A *	2/1995	Galvagni	361/309

6,037,532	A *	3/2000	Beckmeir	84/293
6,039,452	A *	3/2000	Iimura	362/607
7,157,633	B1 *	1/2007	Kopesec	84/293
D539,835	S *	4/2007	Brugal	D17/20
D568,376	S *	5/2008	Campos	D17/14
D588,777	S *	3/2009	Bornholdt	D1/127
7,507,888	B2 *	3/2009	Rivera et al.	84/314 R
D619,882	S *	7/2010	Estok	D8/380

* cited by examiner

Primary Examiner—Ian Simmons

Assistant Examiner—Rashida Johnson

(57) **CLAIM**

I claim, the ornamental design for a guitar neck, as shown and described.

DESCRIPTION

FIG. 1 is a side view of a guitar neck showing my new design;

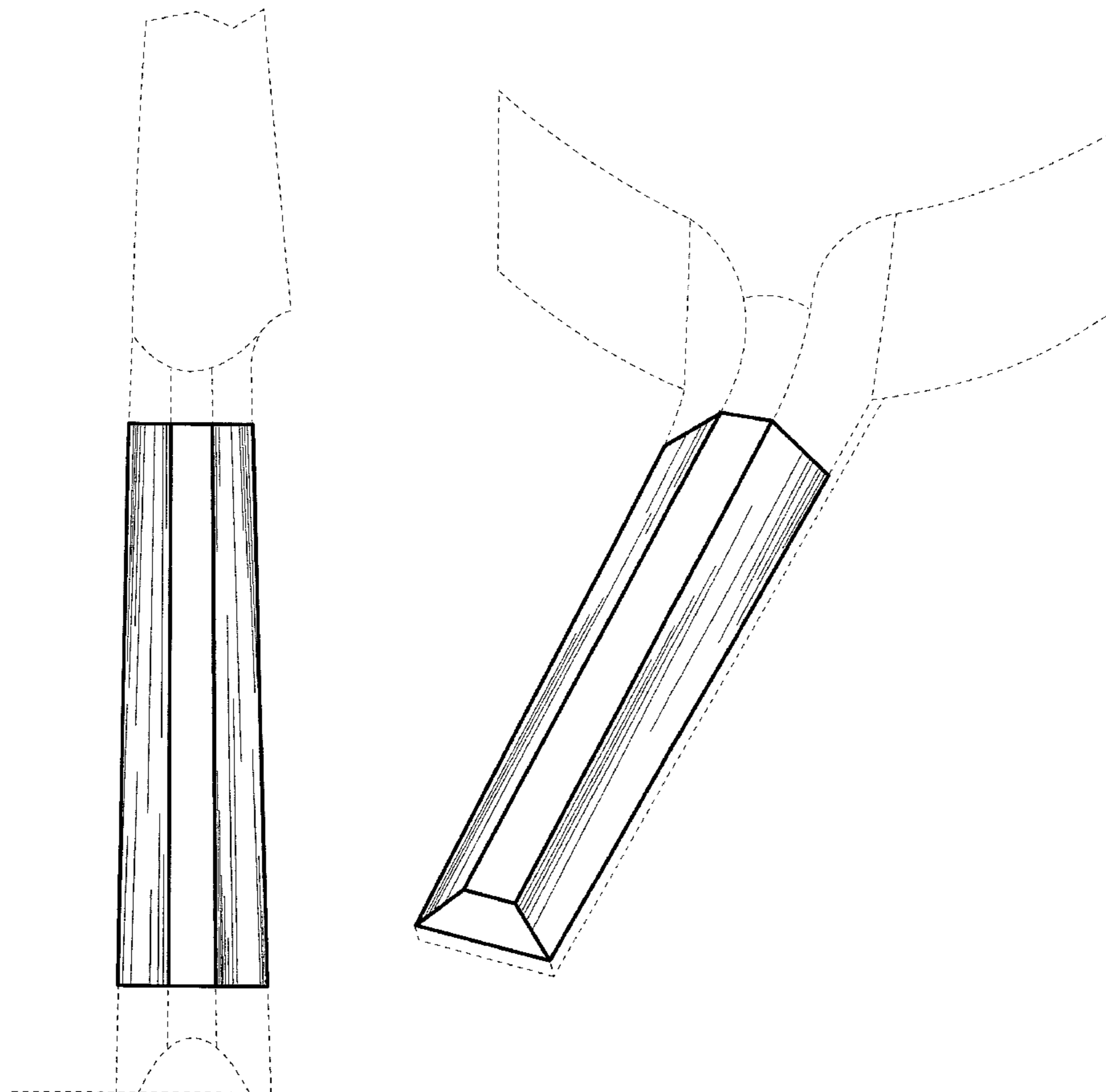
FIG. 2 is a bottom plan view thereof;

FIG. 3 is a bottom perspective view thereof; and,

FIG. 4 is a top end view taken from upper end thereof.

The broken lines shown throughout the view represent the portions of the design which form no part of the claim.

1 Claim, 3 Drawing Sheets



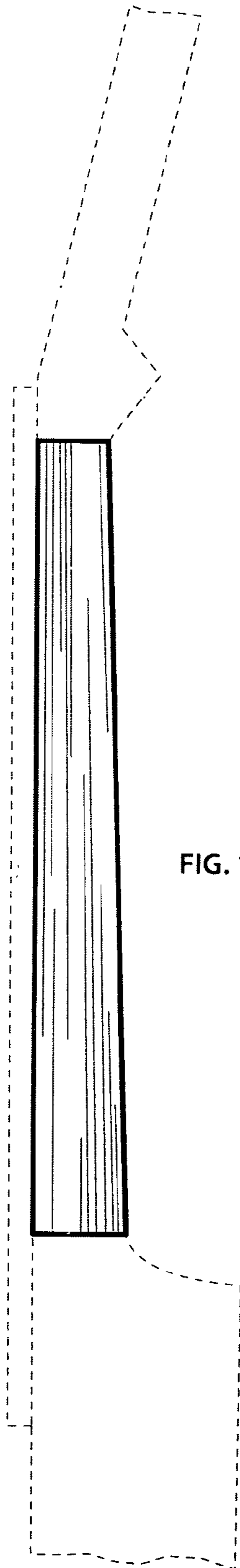


FIG. 1.

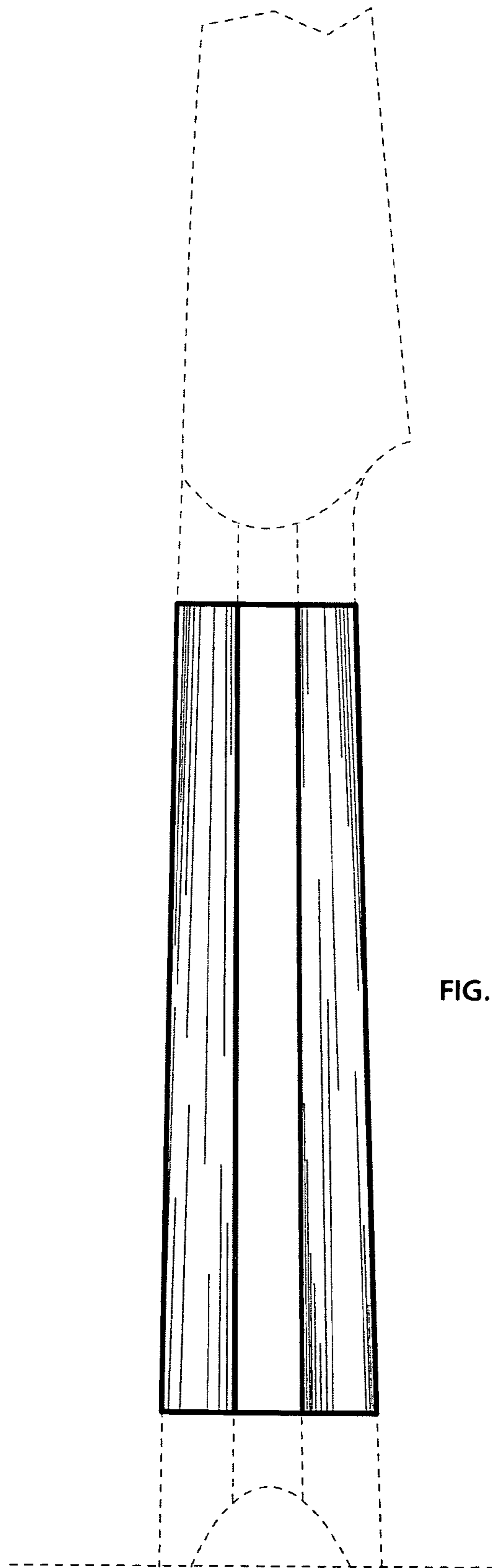


FIG. 2.

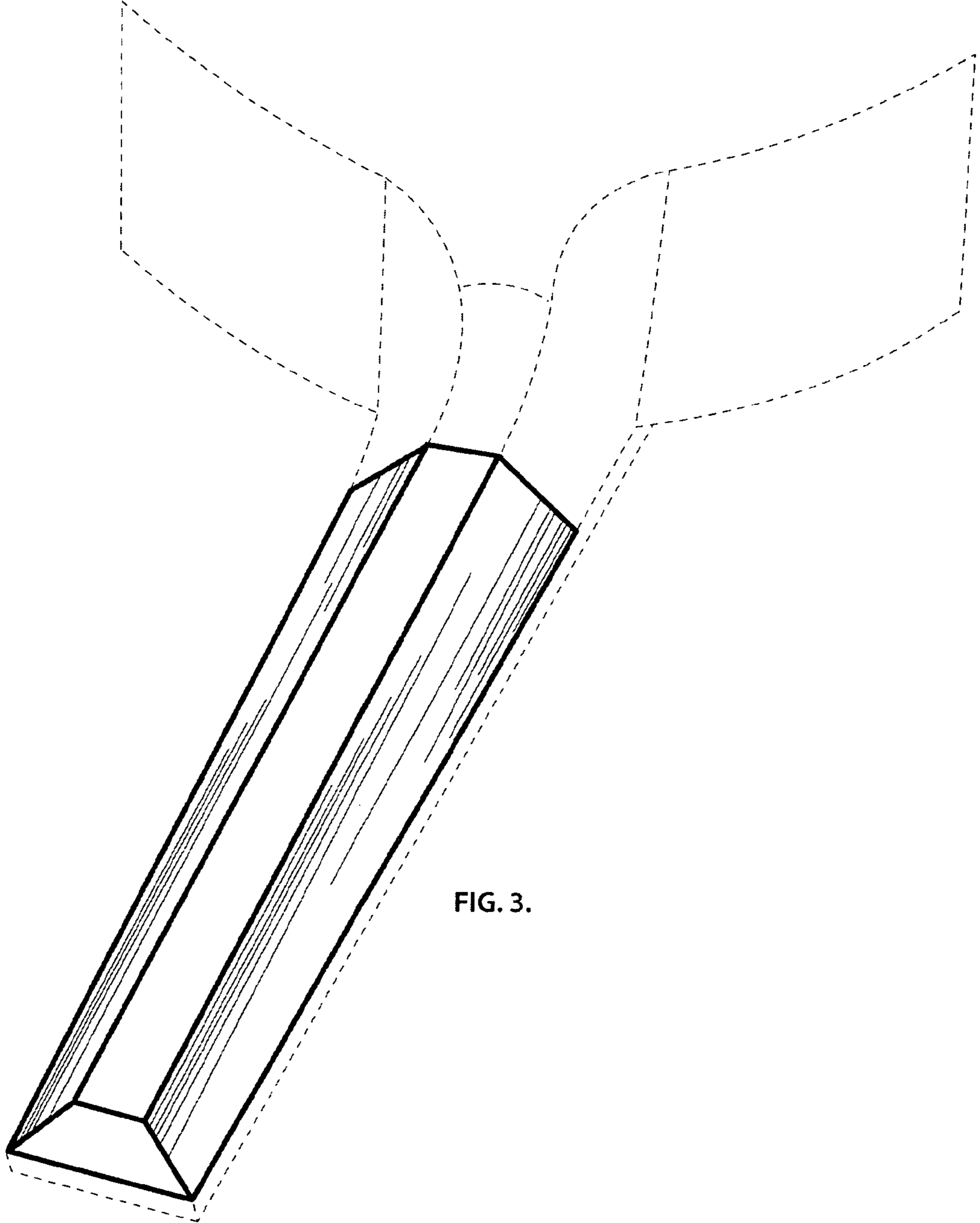


FIG. 3.

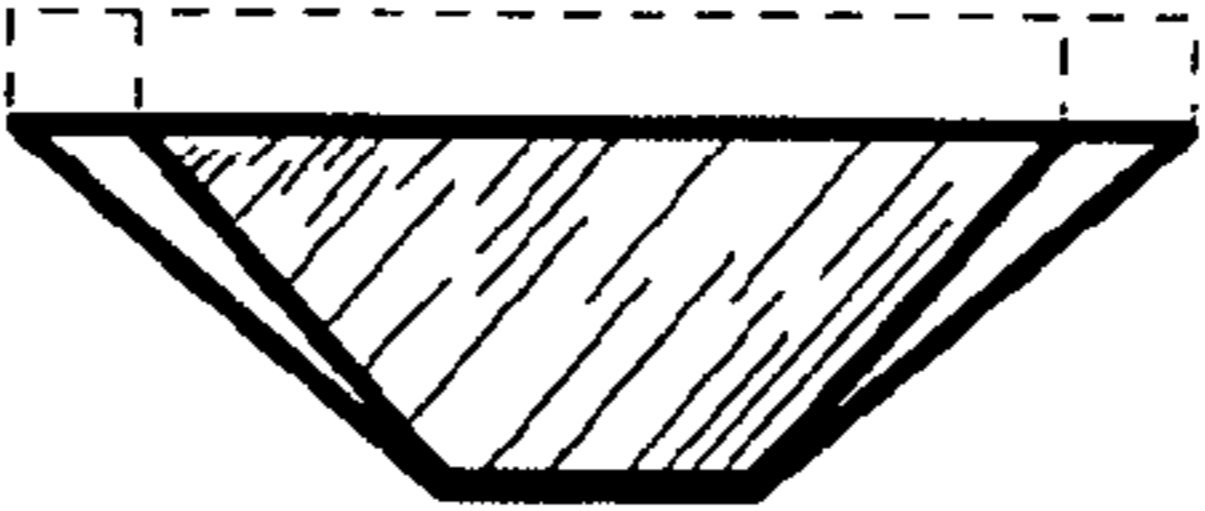


FIG. 4.

UNITED STATES PATENT AND TRADEMARK OFFICE
CERTIFICATE OF CORRECTION

PATENT NO. : D630,676 C1
APPLICATION NO. : 90/012081
DATED : May 16, 2016
INVENTOR(S) : Toone

Page 1 of 1

It is certified that error appears in the above-identified patent and that said Letters Patent is hereby corrected as shown below:

Title page, Item [73],

“RUBBERMAID COMERCIAL PRODUCTS, LLC, WINCHESTER, VA (US)” should be deleted in its entirety because there is no assignee.

Signed and Sealed this
Fifth Day of July, 2016



Michelle K. Lee
Director of the United States Patent and Trademark Office



US00D630676C1

(12) **EX PARTE REEXAMINATION CERTIFICATE** (10864th)
United States Patent
Toone

(10) **Number:** **US D630,676 C1**
(45) **Certificate Issued:** **May 16, 2016**

(54) **GUITAR NECK**

(75) **Inventor:** **Richard Warren Toone**, Milford, NJ
(US)

(73) **Assignee:** **RUBBERMAID COMMERCIAL PRODUCTS, LLC**, Winchester, VA
(US)

(51) **LOC (10) Cl.** 17-03

(52) **U.S. Cl.**
USPC **D17/20**

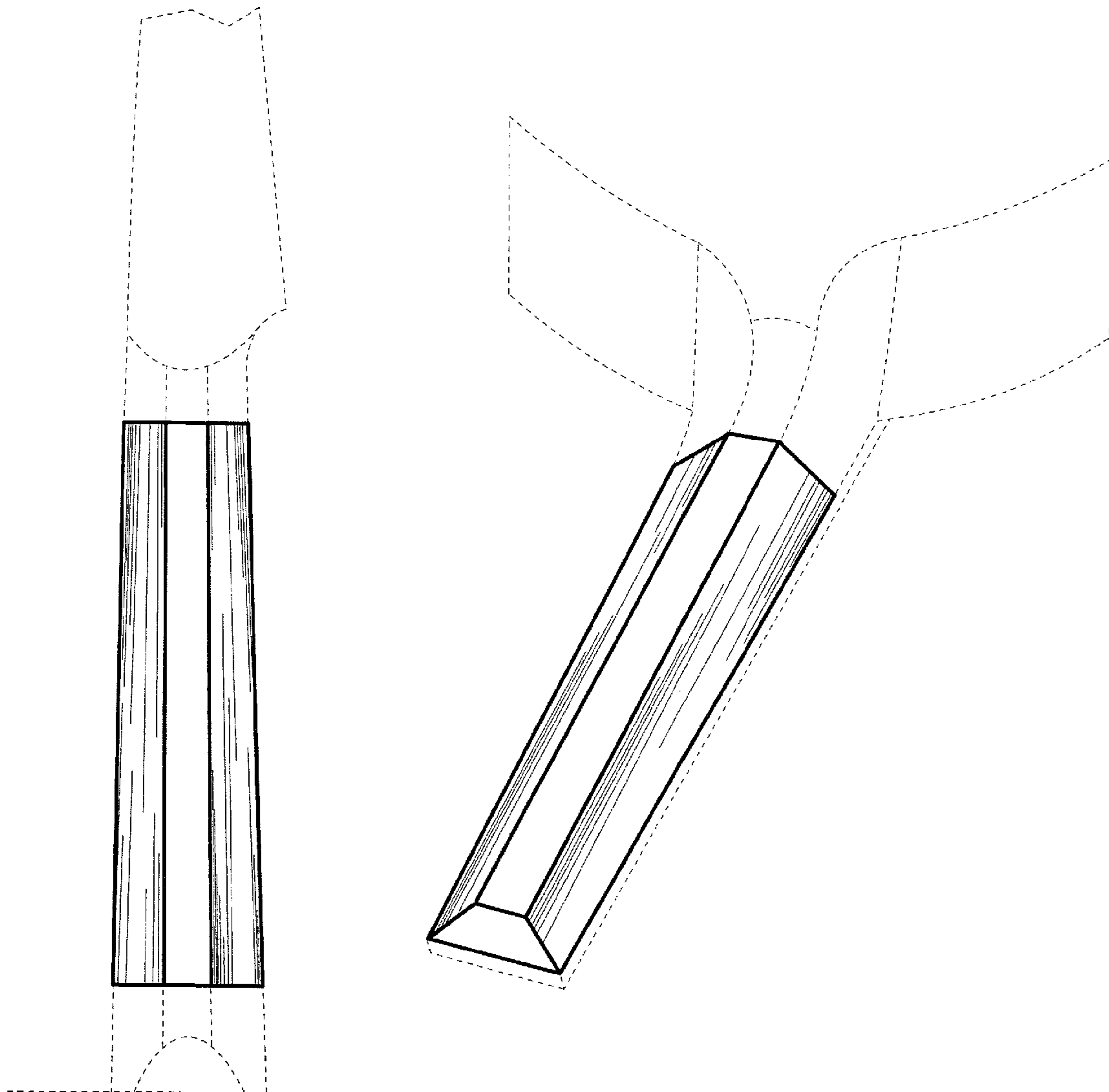
(58) **Field of Classification Search**
USPC D17/14, 15, 18, 19, 20; D21/504, 505;
D8/45, 402, 107; D6/601; D1/100,
D1/199; D7/395
See application file for complete search history.

Reexamination Request:
No. 90/012,081, Jan. 6, 2012

Reexamination Certificate for:
Patent No.: **Des. 630,676**
Issued: **Jan. 11, 2011**
Appl. No.: **29/312,500**
Filed: **Oct. 25, 2008**

(56) **References Cited**

To view the complete listing of prior art documents cited during the proceeding for Reexamination Control Number 90/012,081, please refer to the USPTO's public Patent Application Information Retrieval (PAIR) system under the Display References tab.
Primary Examiner — Phillip S Hyder



**EX PARTE
REEXAMINATION CERTIFICATE**

NO AMENDMENTS HAVE BEEN MADE TO
THE PATENT

5

AS A RESULT OF REEXAMINATION, IT HAS BEEN
DETERMINED THAT:

The patentability of the sole design claim for a guitar neck¹⁰
is confirmed.

* * * * *