



US00D630668S

(12) **United States Design Patent**  
**Miyashita**

(10) **Patent No.:** **US D630,668 S**

(45) **Date of Patent:** **\*\* Jan. 11, 2011**

(54) **CAMERA**

(75) Inventor: **Shin Miyashita**, Tokyo (JP)

(73) Assignee: **Sony Corporation**, Tokyo (JP)

(\*\*) Term: **14 Years**

(21) Appl. No.: **29/347,572**

(22) Filed: **Mar. 5, 2010**

(30) **Foreign Application Priority Data**

Jan. 6, 2010 (JP) ..... D2010-000125

(51) **LOC (9) Cl.** ..... **16-05**

(52) **U.S. Cl.** ..... **D16/243; D16/219**

(58) **Field of Classification Search** ..... D16/200,  
D16/201, 202, 204, 206, 208, 218, 219, 243;  
348/373-376; 358/909.1; 396/535-541  
See application file for complete search history.

(56) **References Cited**

**U.S. PATENT DOCUMENTS**

D432,149 S	10/2000	Sumita	
D435,572 S	12/2000	Maeyama	
D445,438 S	7/2001	Kubota	
D452,260 S	* 12/2001	Petravic et al.	D16/219
D488,497 S	4/2004	Suzuki	
D500,068 S	12/2004	Hayashi	
D503,186 S	* 3/2005	Horikiri	D16/202
D524,351 S	* 7/2006	Haga	D16/219
D532,031 S	11/2006	Hayashi	
D536,358 S	* 2/2007	Hanafusa	D16/219
D539,319 S	3/2007	Masamitsu et al.	
D555,688 S	* 11/2007	Yoo et al.	D16/202
D566,157 S	* 4/2008	Naito et al.	D16/219

**FOREIGN PATENT DOCUMENTS**

JP D1328166 S 4/2008

**OTHER PUBLICATIONS**

Web page, "DMC-ZR1S", <http://www2.panasonic.com/consumer-electronics/shop/Cameras-Camcorders/Digital-Cameras/Lumix-....>, 3 pages, Panasonic Corporation, 2009.

Web page, "DMC-ZS1S", <http://www2.panasonic.com/consumer-electronics/shop/Cameras-Camcorders/Digital-Cameras/Lumix-....>, 3 pages, Panasonic Corporation, 2009.

Web page, "Samsung NV9 | NV Series | Samsung Digital Camera—UK", [http://www.samsungcamcorder.co.uk/series/2/nv\\_series/camera/25/nv9.html](http://www.samsungcamcorder.co.uk/series/2/nv_series/camera/25/nv9.html), 3 pages, Samsung Photography E-magazine, 2010.

\* cited by examiner

*Primary Examiner*—Adir Aronovich

(74) *Attorney, Agent, or Firm*—Rader, Fishman & Grauer PLLC

(57) **CLAIM**

The ornamental design for a camera, as shown and described.

**DESCRIPTION**

FIG. 1 is a perspective view of a camera showing my new design;

FIG. 2 is a front elevational view thereof;

FIG. 3 is a left side elevational view thereof;

FIG. 4 is a right side elevational view thereof;

FIG. 5 is a top plan view thereof; and,

FIG. 6 is a bottom plan view thereof.

Portions in broken lines are for illustrative purpose only and form no part of the claimed design. The dot-dash broken lines define boundaries of, and are not included in the claimed design.

**1 Claim, 4 Drawing Sheets**

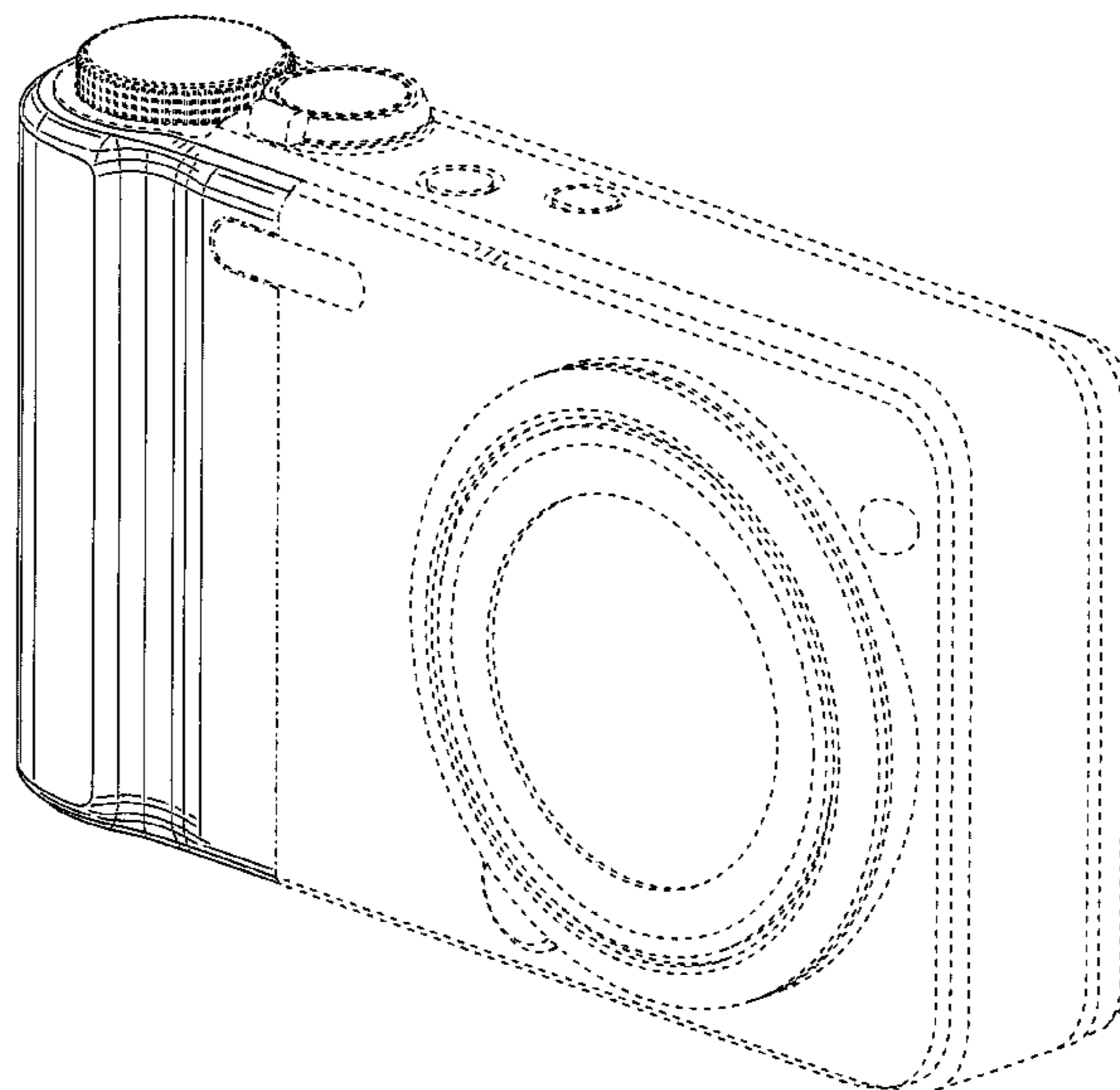


FIG.1

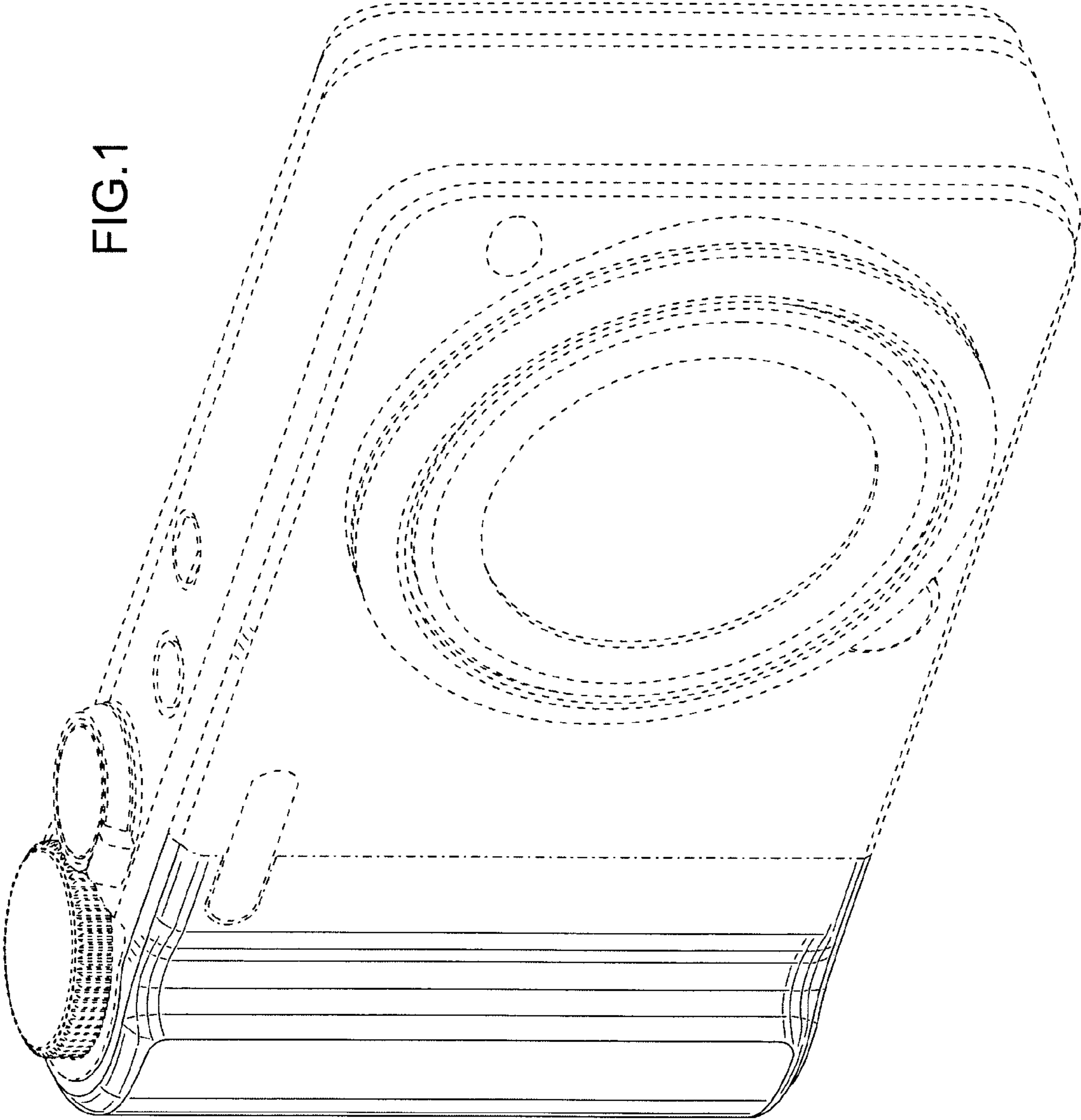
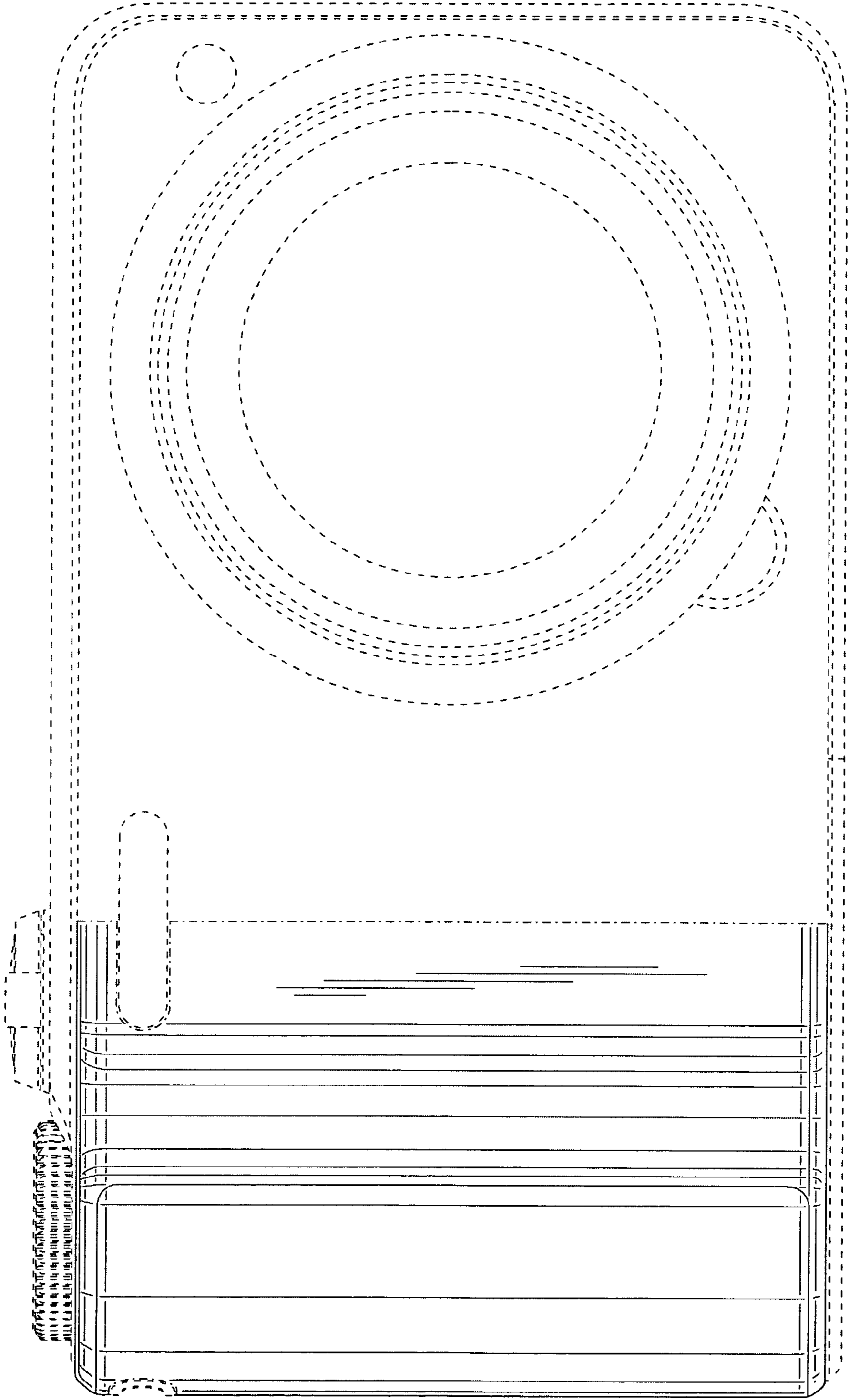


FIG.2



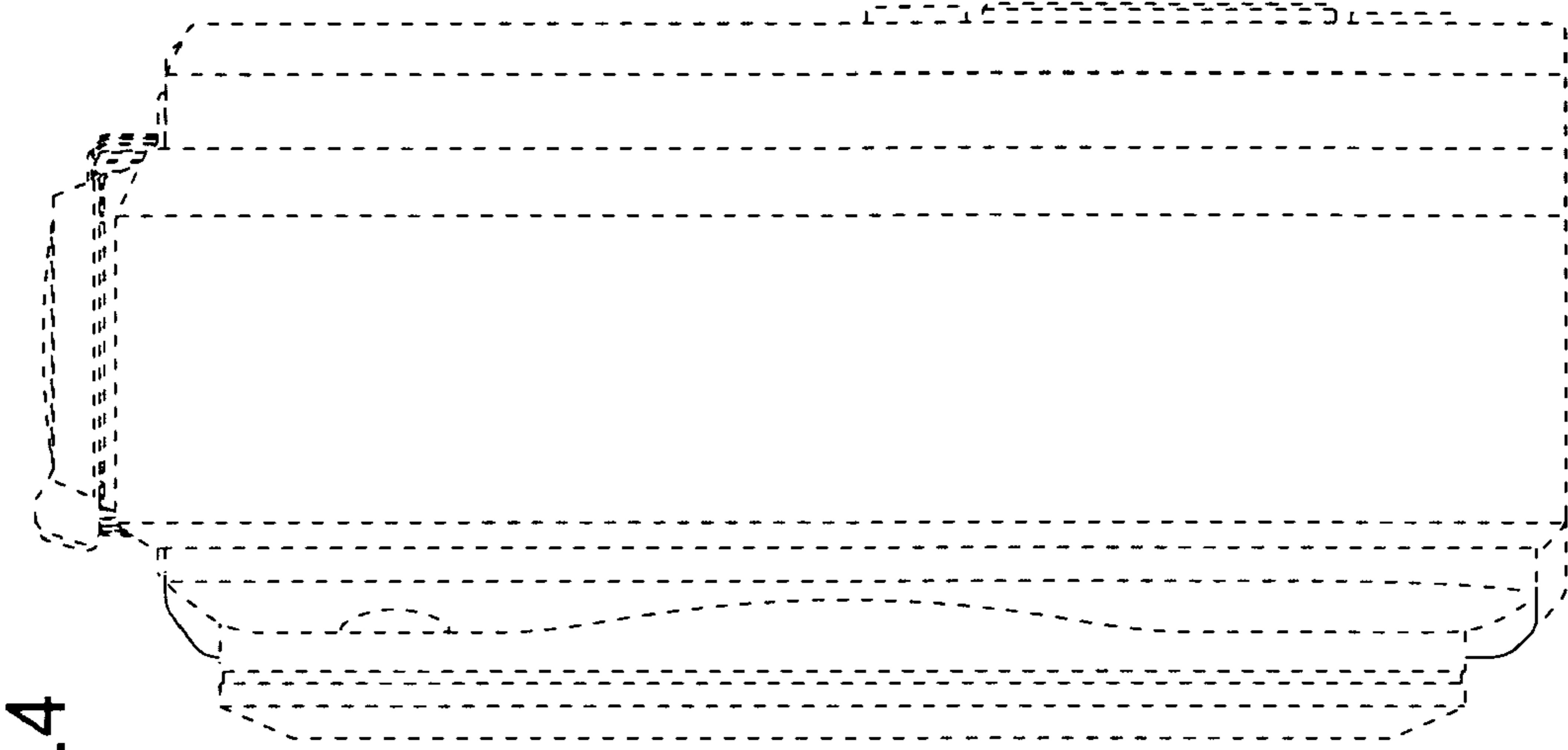


FIG.4

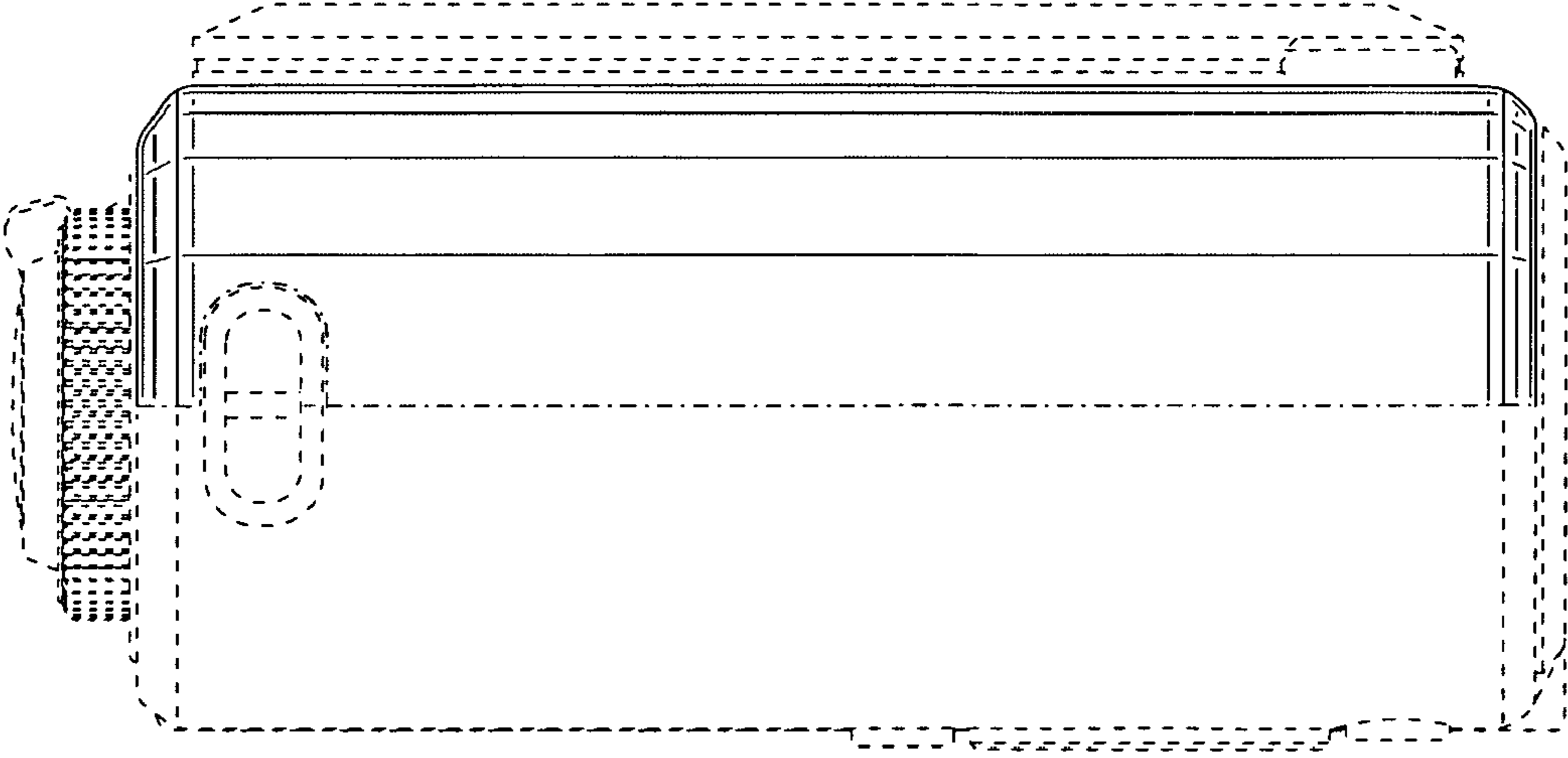


FIG.3

FIG.5

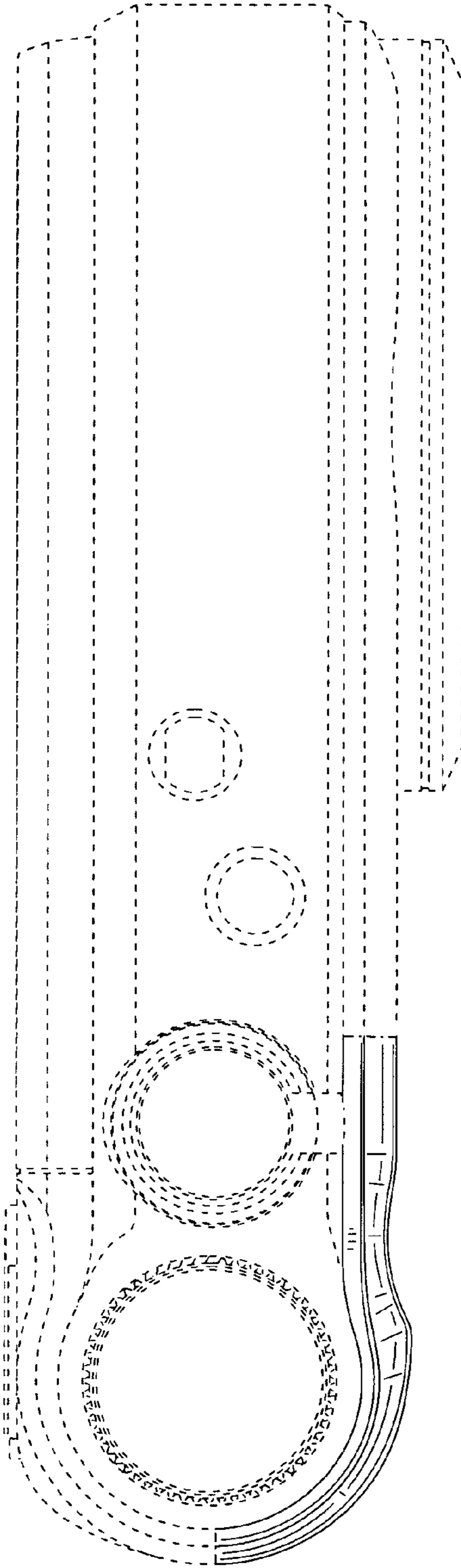


FIG.6

