

US00D630667S

(12) **United States Design Patent**
Inui et al.

(10) **Patent No.:** **US D630,667 S**
(45) **Date of Patent:** **** Jan. 11, 2011**

(54) **LAMP FOR PROJECTOR**

(75) Inventors: **Shinro Inui**, Hachioji (JP); **Tatsuo Morita**, Tokyo (JP)

(73) Assignee: **Hitachi Consumer Electronics Co., Ltd.**, Tokyo (JP)

(**) Term: **14 Years**

(21) Appl. No.: **29/344,516**

(22) Filed: **Sep. 30, 2009**

(30) **Foreign Application Priority Data**

Apr. 9, 2009 (JP) 2009-008203

(51) **LOC (9) Cl.** **16-02**

(52) **U.S. Cl.** **D16/235**

(58) **Field of Classification Search** D16/221,
D16/225, 235; D26/1, 28, 24, 36; 352/198,
352/203; 353/87, 97-98, 119; 362/234,
362/241, 294, 227, 368, 430, 249.1, 249.01,
362/362, 274

See application file for complete search history.

(56) **References Cited**

U.S. PATENT DOCUMENTS

6,461,025	B1 *	10/2002	Payne	362/362
6,575,606	B2 *	6/2003	Shaw	362/274
6,969,175	B2 *	11/2005	Takemi	353/87
7,104,654	B2 *	9/2006	Tamaru et al.	353/119
D558,252	S *	12/2007	Matsumiya et al.	D16/221
D582,466	S *	12/2008	Nakano	D16/235
D583,849	S *	12/2008	Uchida	D16/235
7,503,662	B2 *	3/2009	Terashima et al.	353/119
D591,322	S *	4/2009	Nagumo	D16/235

D605,684	S *	12/2009	Takizawa	D16/235
7,677,778	B2 *	3/2010	Suzuki	362/362
2006/0227304	A1 *	10/2006	Kang et al.	353/119
2008/0174743	A1 *	7/2008	Nakashita et al.	362/294
2009/0225282	A1 *	9/2009	Matsumiya et al.	362/362

OTHER PUBLICATIONS

Hitachi Inspire the Next, LCD Projectors CP-X206, CP-X306 Catalog, Mar. 2008.

* cited by examiner

Primary Examiner—Stella M Reid

Assistant Examiner—Wan Laymon

(74) *Attorney, Agent, or Firm*—Antonelli, Terry, Stout & Kraus, LLP.

(57) **CLAIM**

We claim the ornamental design for a lamp for projector, as shown.

DESCRIPTION

FIG. 1 is a front, top and right side perspective view of a lamp for projector showing our new design;

FIG. 2 is a front elevational view thereof;

FIG. 3 is a rear elevational view thereof;

FIG. 4 is a left side elevational view thereof;

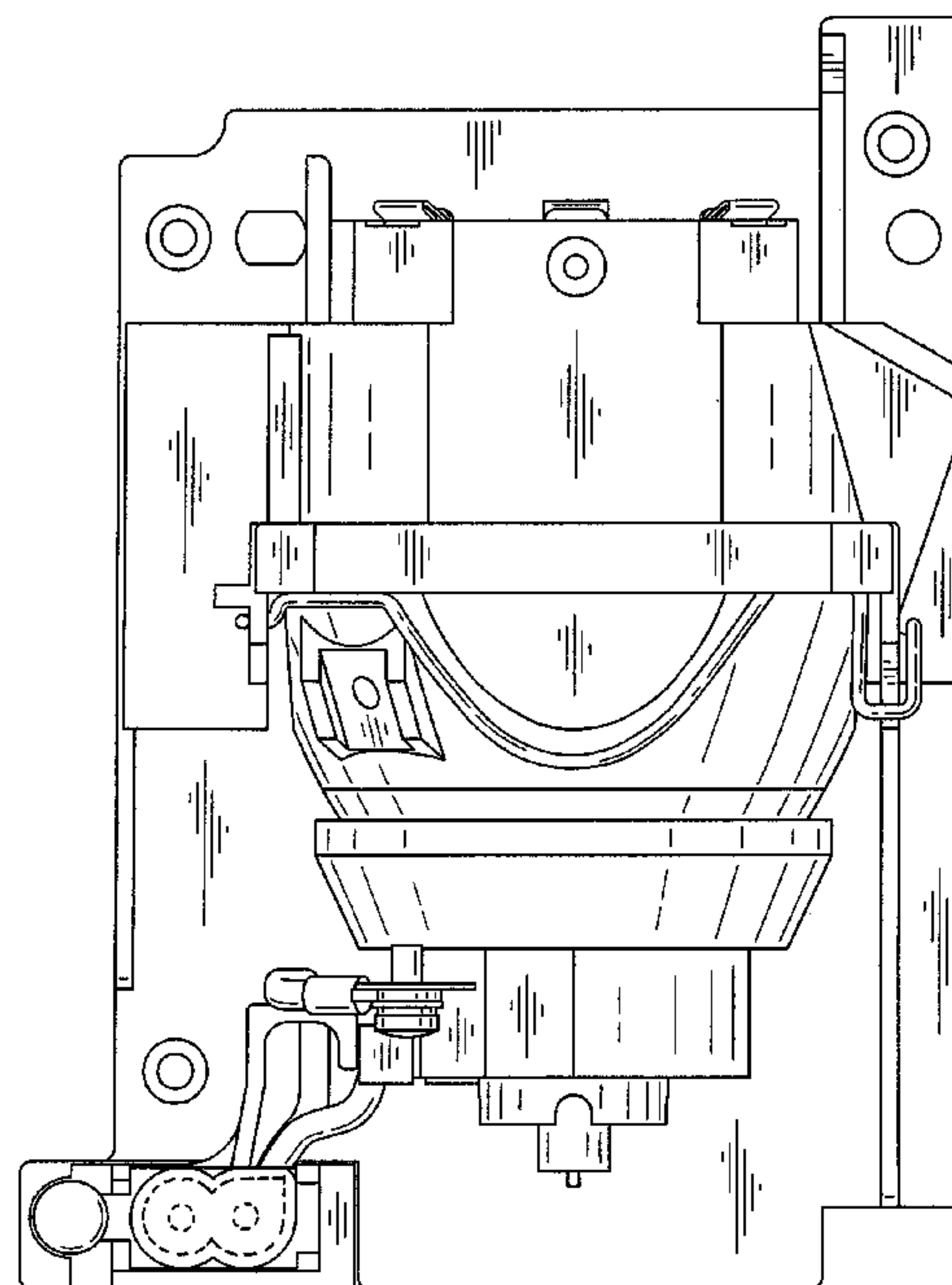
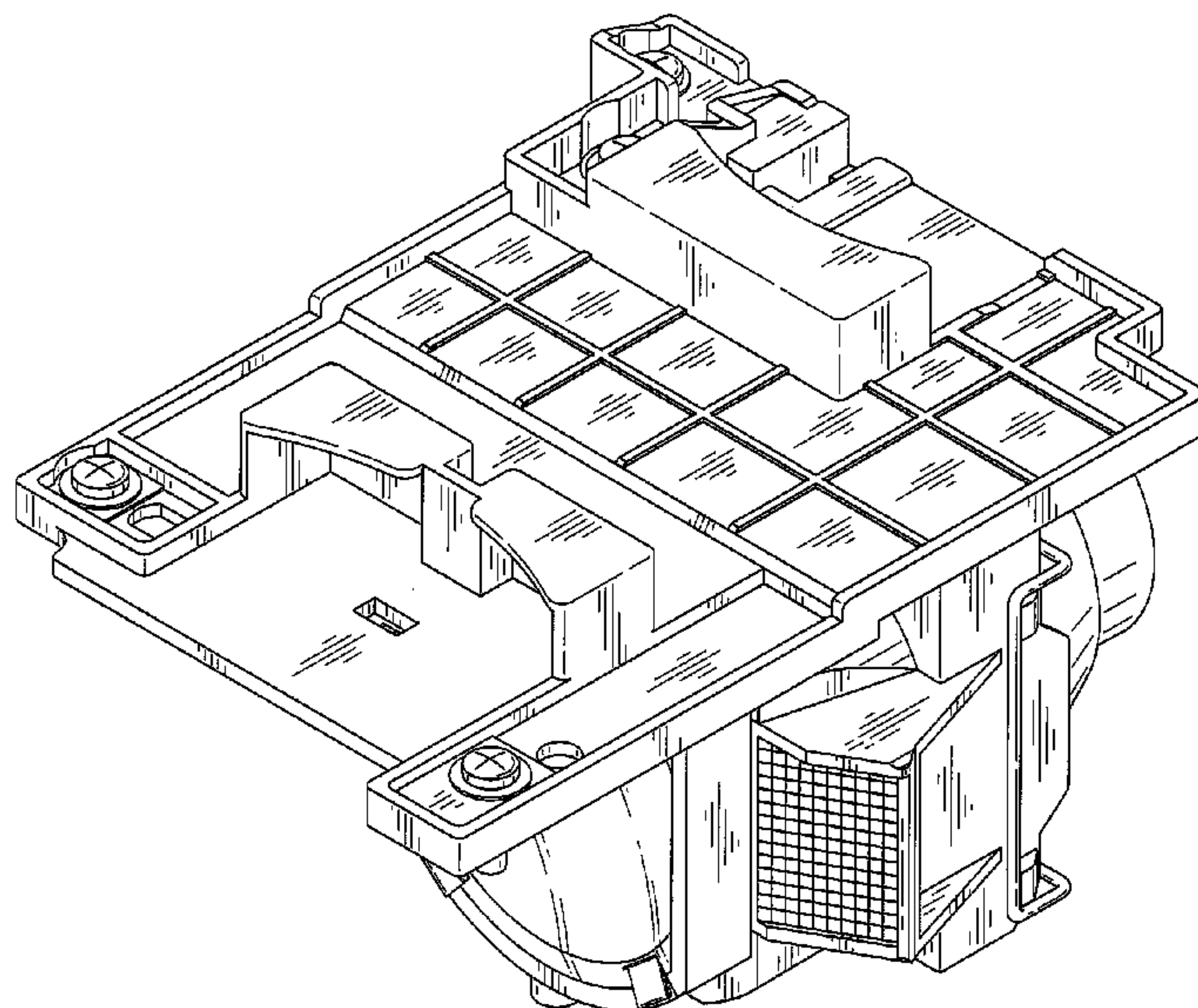
FIG. 5 is a right side elevational view thereof;

FIG. 6 is a top plan view thereof; and,

FIG. 7 is a bottom plan view thereof.

The broken lines in FIGS. 4, 5 and 7 are included for the purpose of illustrating portions of the lamp for projector that form no part of the claimed design.

1 Claim, 7 Drawing Sheets



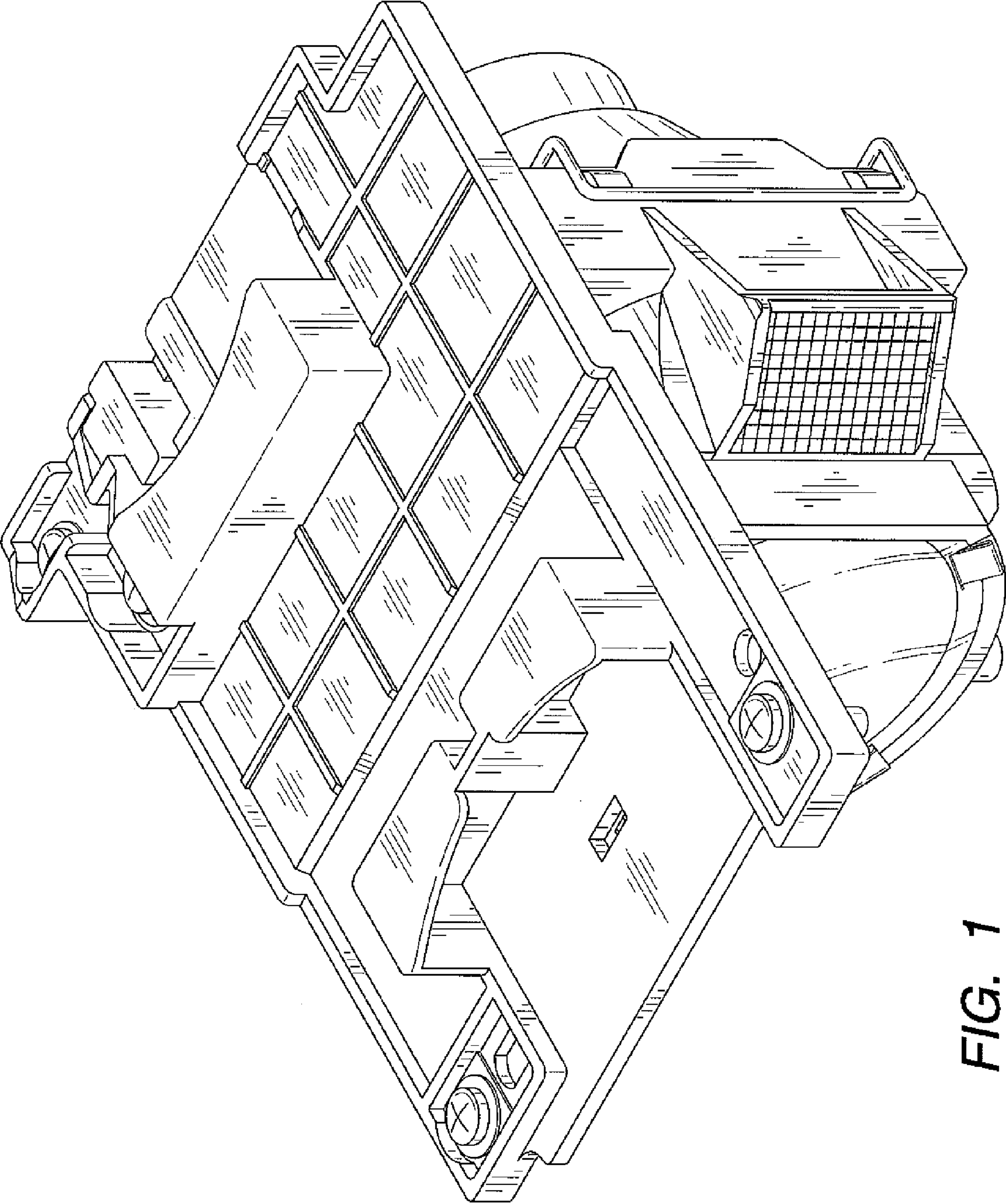


FIG. 1

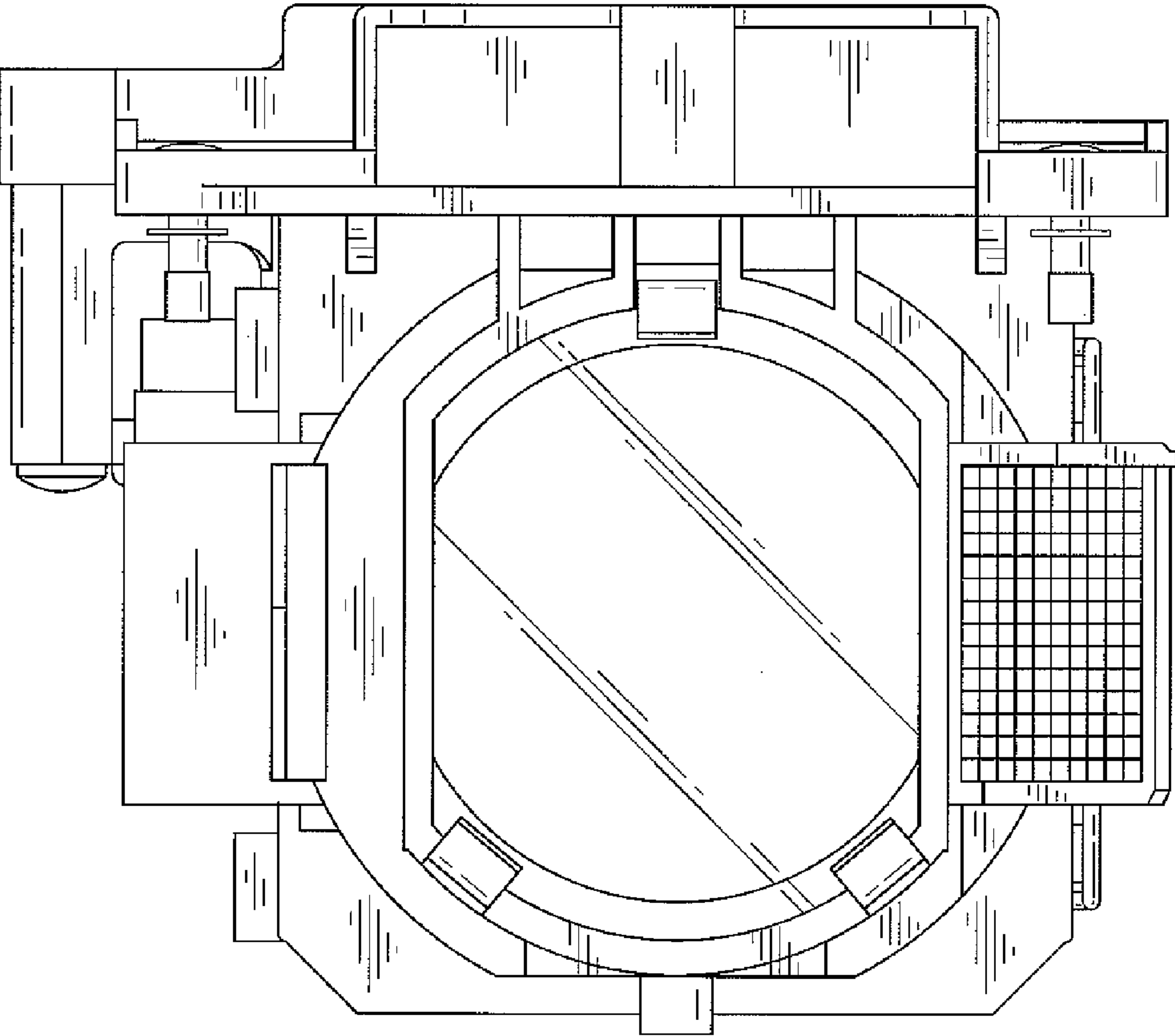


FIG. 2

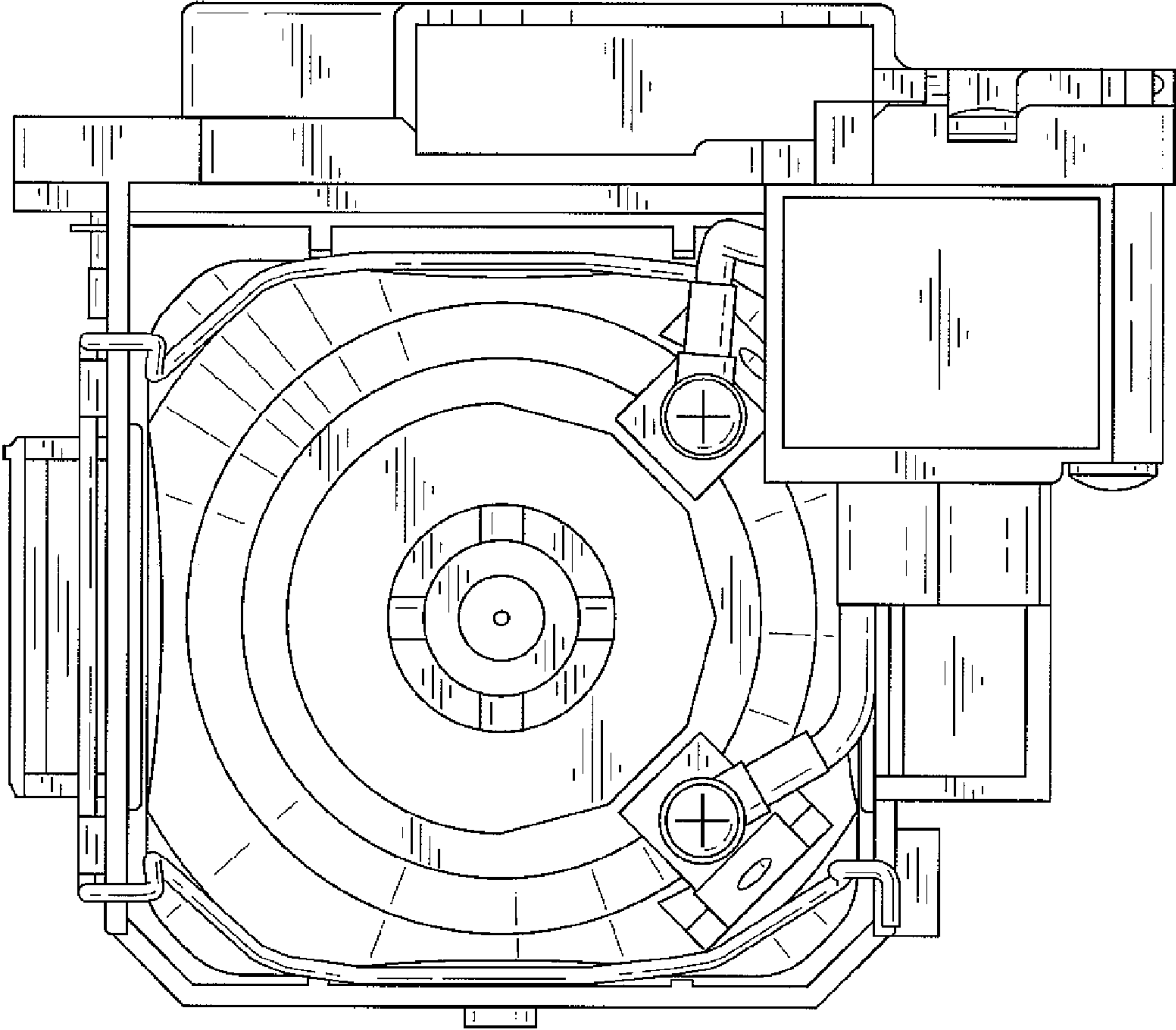


FIG. 3

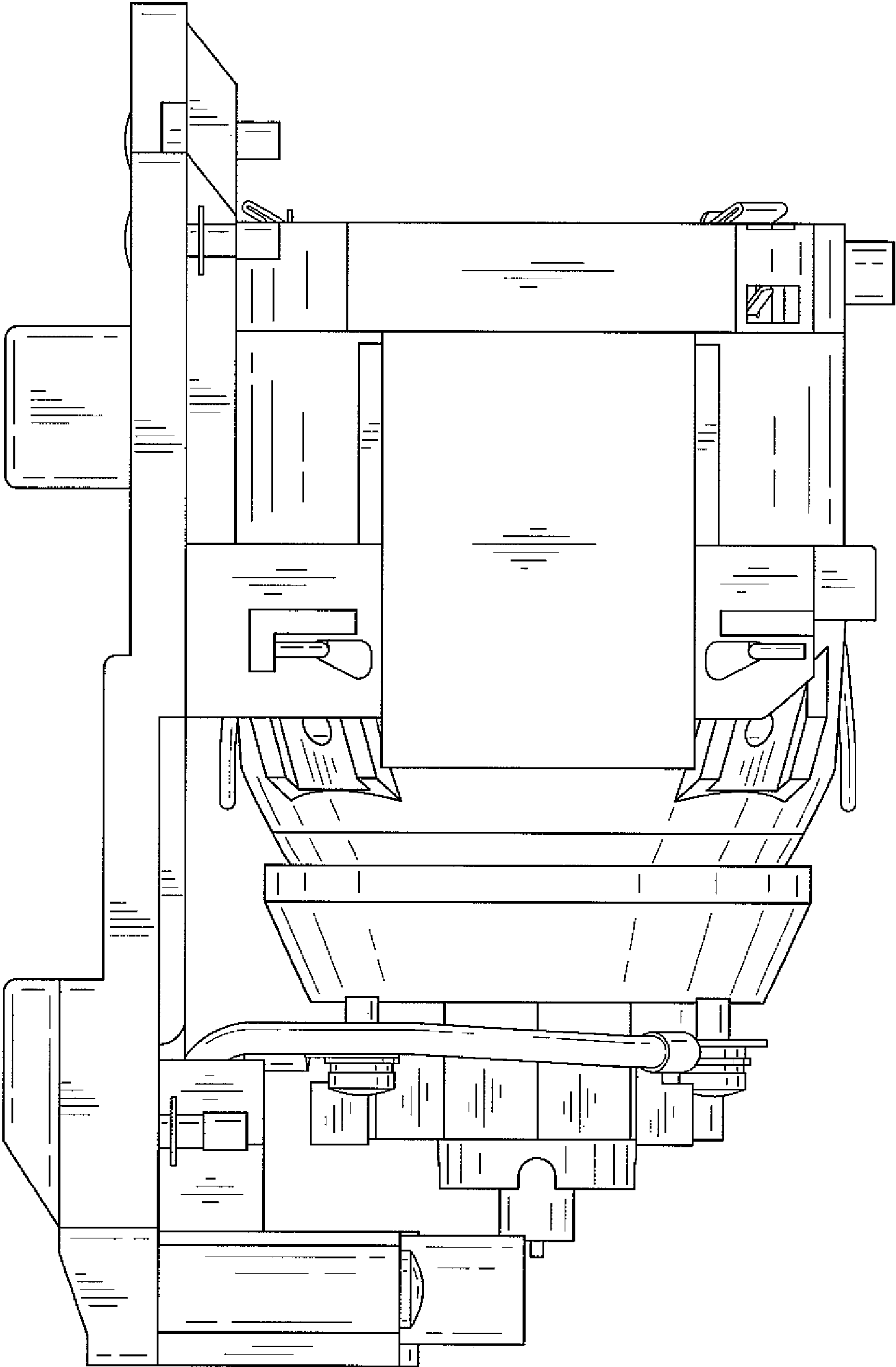


FIG. 4

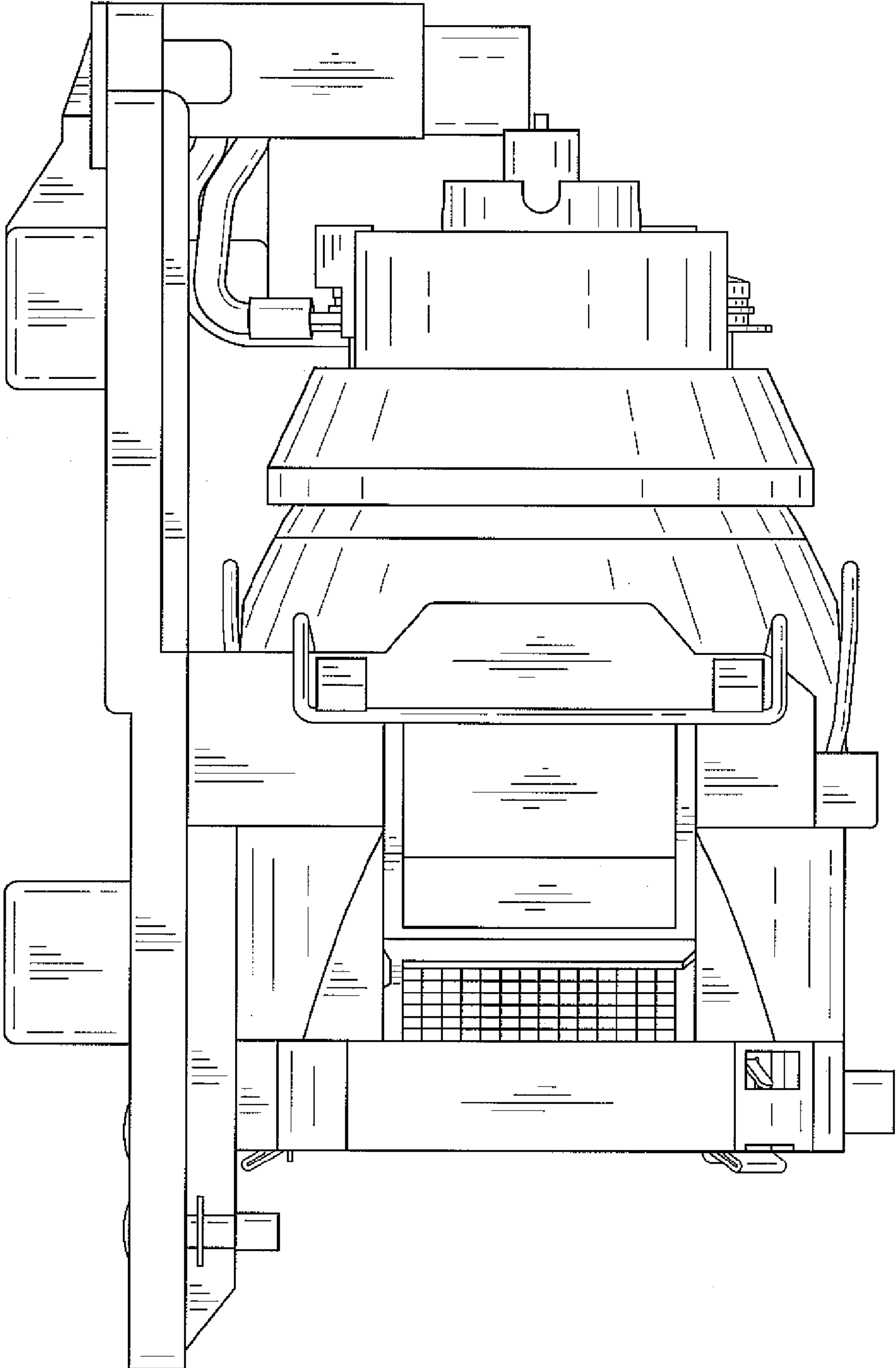


FIG. 5

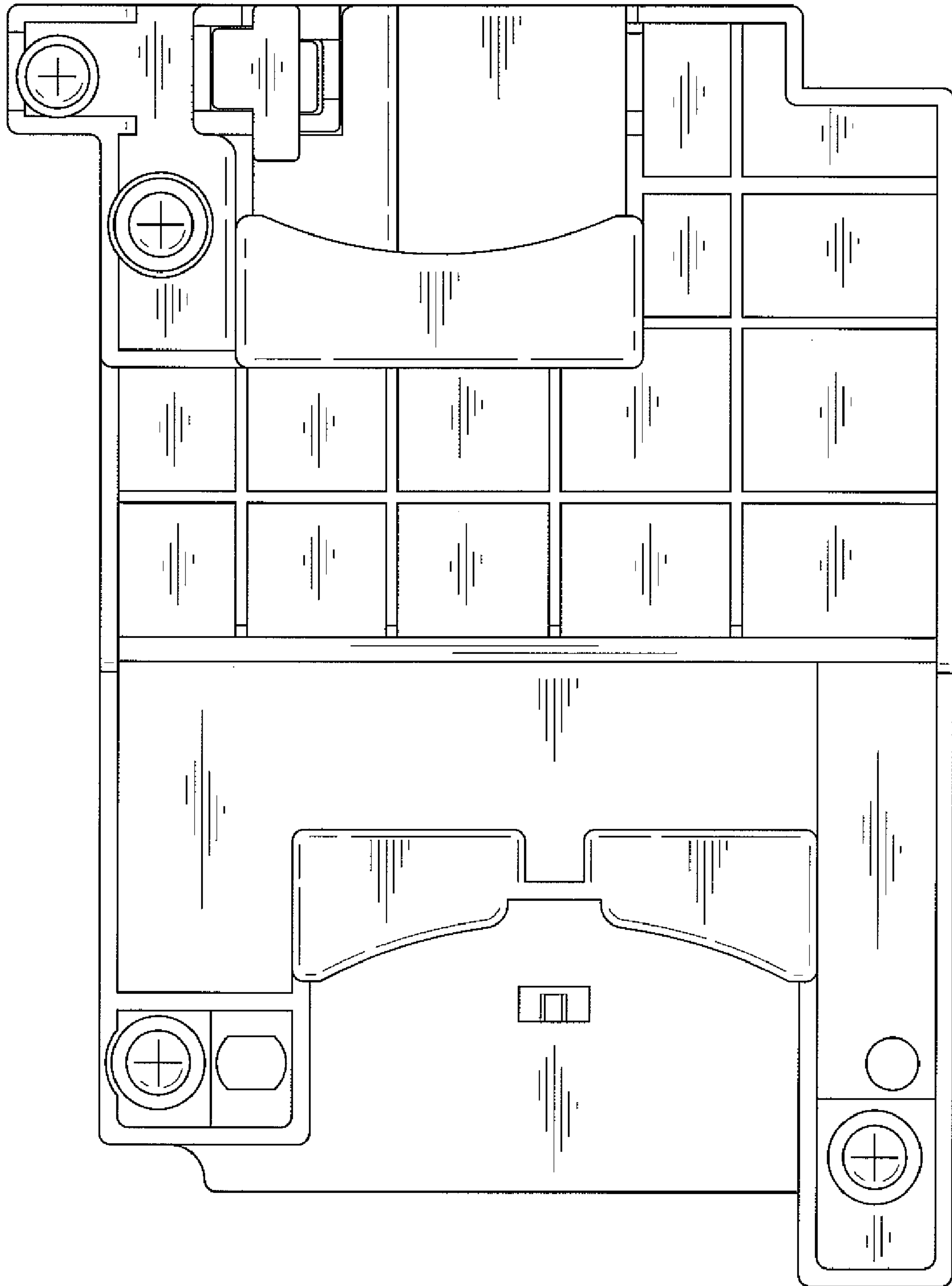


FIG. 6

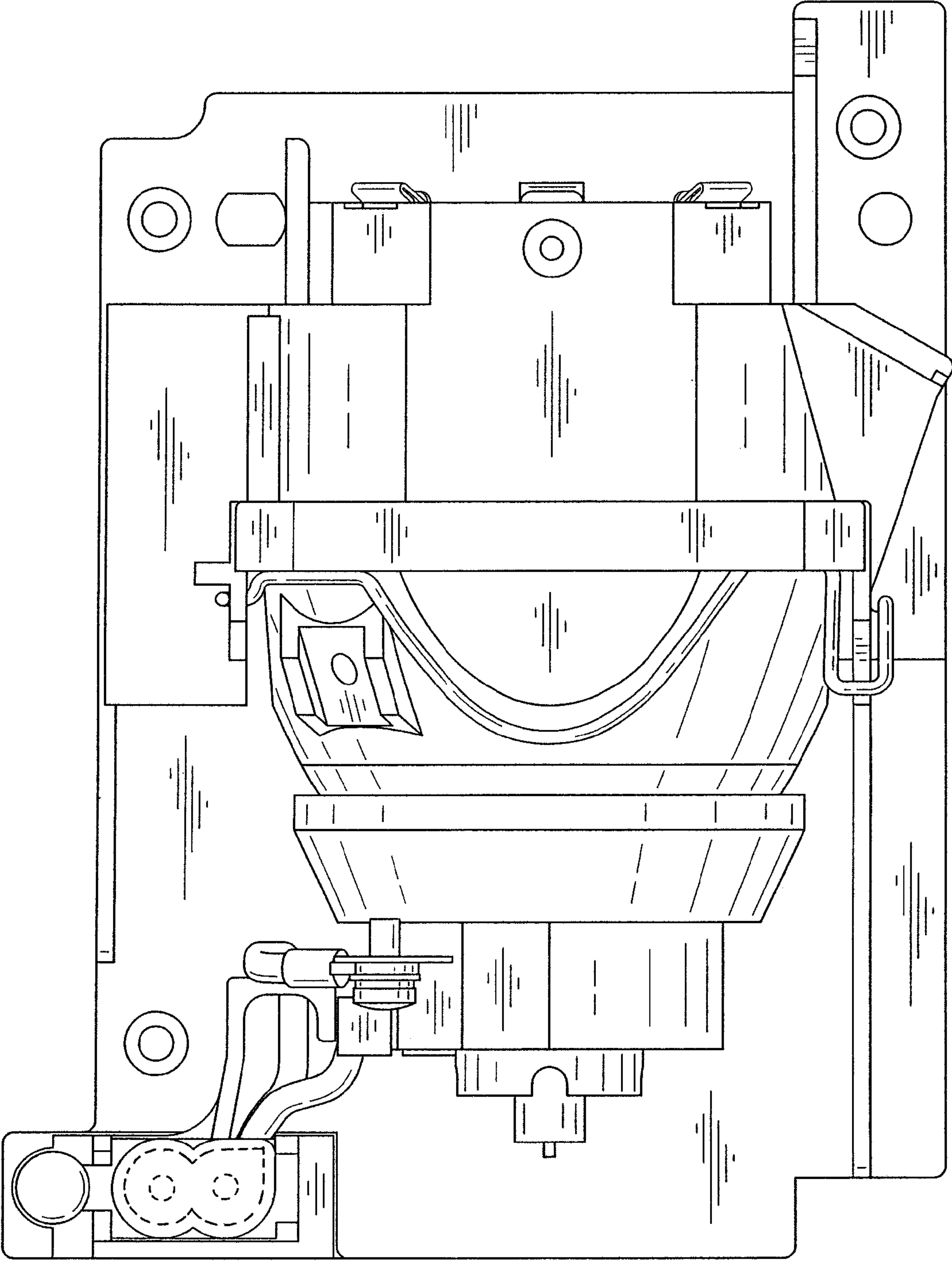


FIG. 7