



US00D630664S

(12) **United States Design Patent**
Yamakawa

(10) **Patent No.:** **US D630,664 S**
(45) **Date of Patent:** **** Jan. 11, 2011**

(54) **SURVEILLANCE CAMERA**

D581,961 S * 12/2008 Shioya D16/218

(75) Inventor: **Yasuki Yamakawa**, Kanagawa (JP)

FOREIGN PATENT DOCUMENTS

(73) Assignee: **Panasonic Corporation**, Osaka (JP)

JP	D1033476	3/1999
JP	D1115734	7/2001
JP	D1214363	8/2004
JP	D1362219	6/2009

(**) Term: **14 Years**

* cited by examiner

(21) Appl. No.: **29/359,821**

Primary Examiner—Adir Aronovich

(22) Filed: **Apr. 15, 2010**

(74) *Attorney, Agent, or Firm*—Brinks Hofer Gilson & Lione

(30) **Foreign Application Priority Data**

(57) **CLAIM**

Oct. 22, 2009 (JP) 2009-024696

I claim the ornamental design for a surveillance camera, as shown and described.

(51) **LOC (9) Cl.** **16-05**

(52) **U.S. Cl.** **D16/219; D16/203**

(58) **Field of Classification Search** D10/106;
D16/200, 202, 203, 204, 208, 218, 219; 348/143,
348/151, 373, 375; 396/427, 535-541
See application file for complete search history.

DESCRIPTION

FIG. 1 is a front and bottom perspective view of a surveillance camera of the present invention;

FIG. 2 is a front elevational view thereof;

FIG. 3 is a rear elevational view thereof;

FIG. 4 is a right side elevational view thereof, the undisclosed left side view being a mirror image thereof;

FIG. 5 is top plan view thereof; and,

FIG. 6 is bottom plan view thereof.

The broken line showing of surveillance camera is included for the purpose of illustrating environment and forms no part of the claimed design.

(56) **References Cited**

U.S. PATENT DOCUMENTS

D386,101 S *	11/1997	Kawabata	D10/106
D399,157 S *	10/1998	Hsu et al.	D10/106
D416,273 S *	11/1999	Yamakawa et al.	D16/203
D426,250 S *	6/2000	Lefkowitz	D16/203
D452,696 S *	1/2002	Fenton	D16/203
6,525,766 B1 *	2/2003	Ikoma et al.	348/151
D499,125 S *	11/2004	Adachi et al.	D16/203
D499,126 S *	11/2004	Kato et al.	D16/203
D565,626 S *	4/2008	Leyden	D16/219

1 Claim, 6 Drawing Sheets

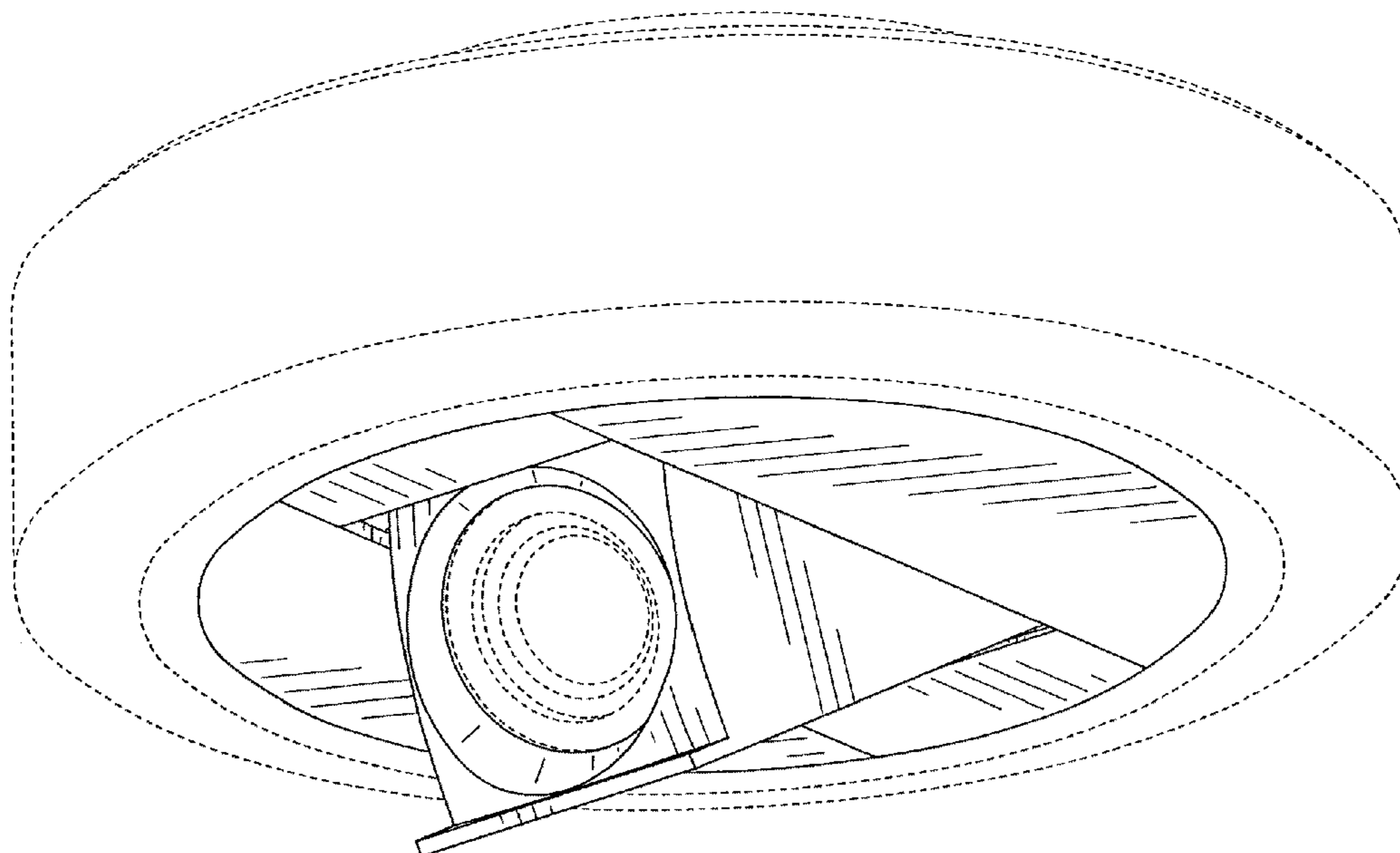


FIG.1

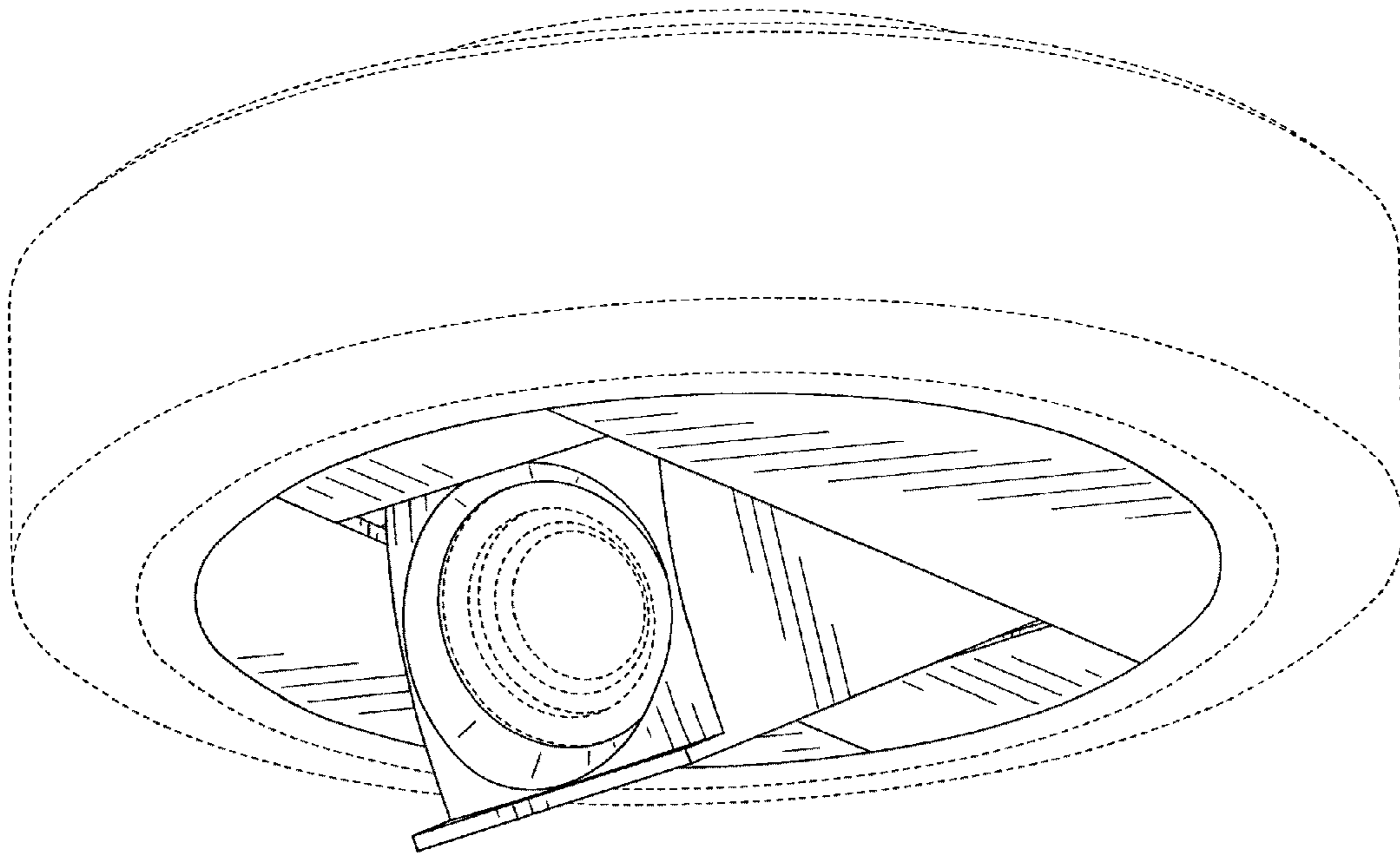


FIG.2

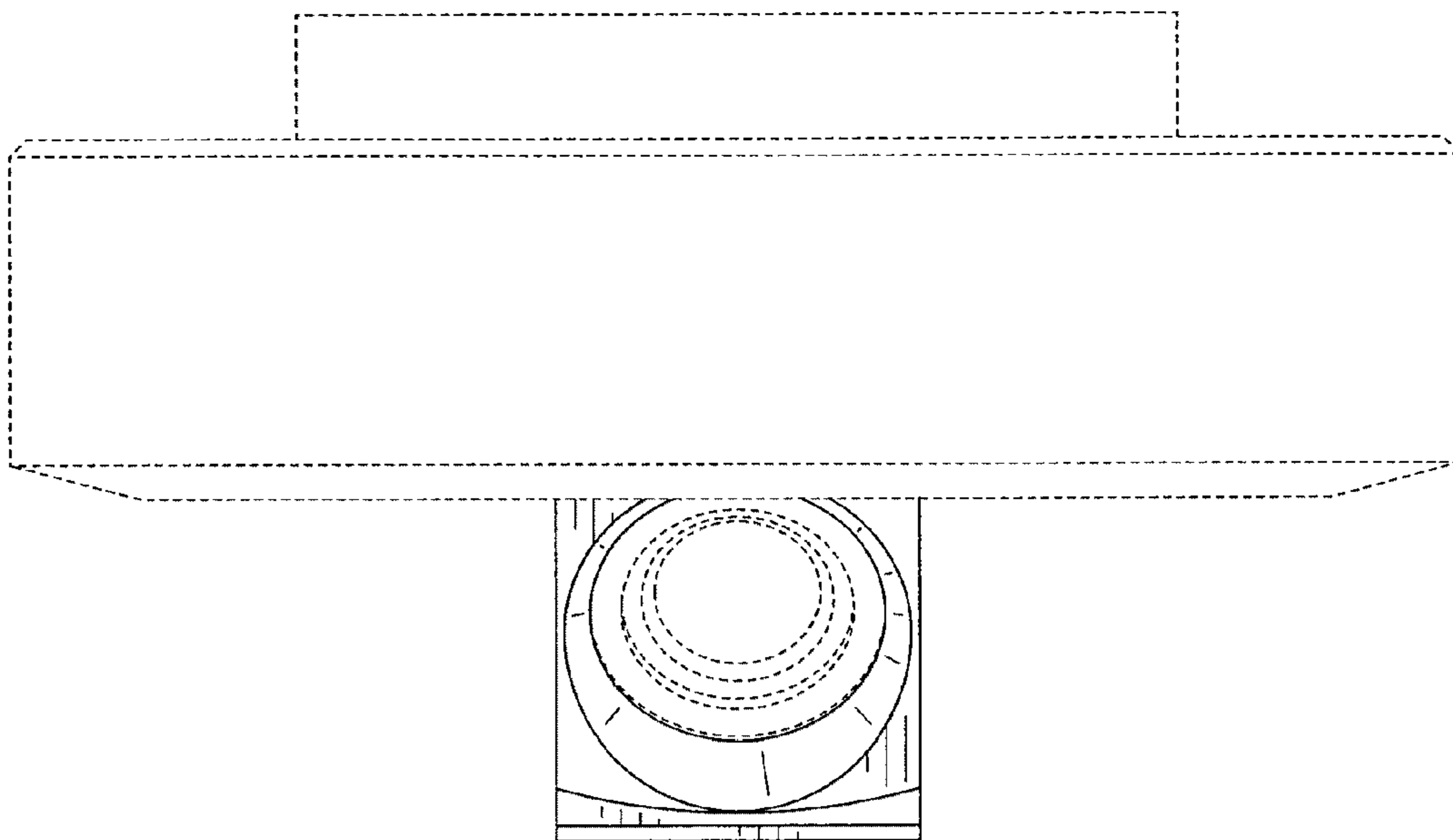


FIG.3

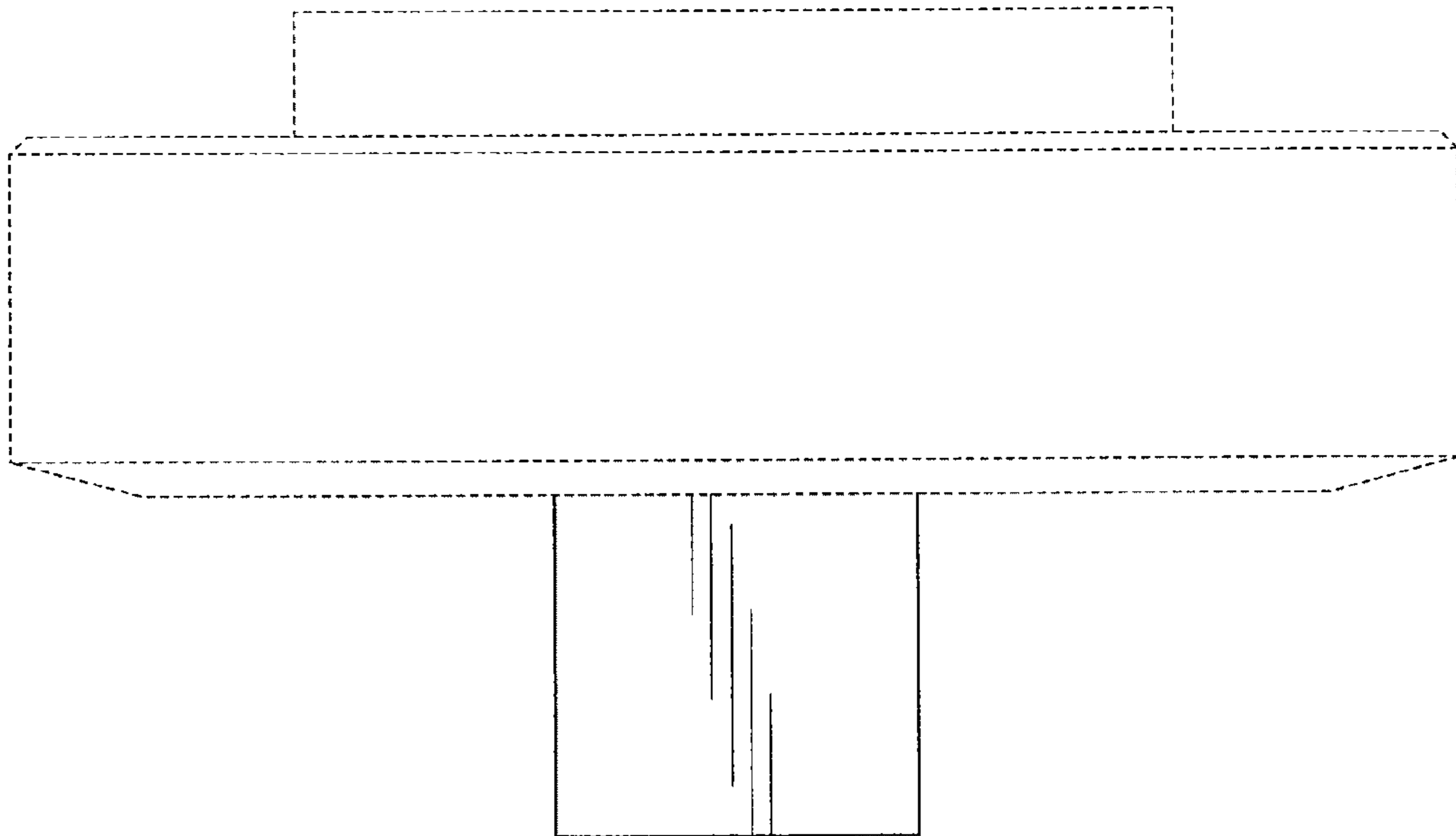


FIG.4

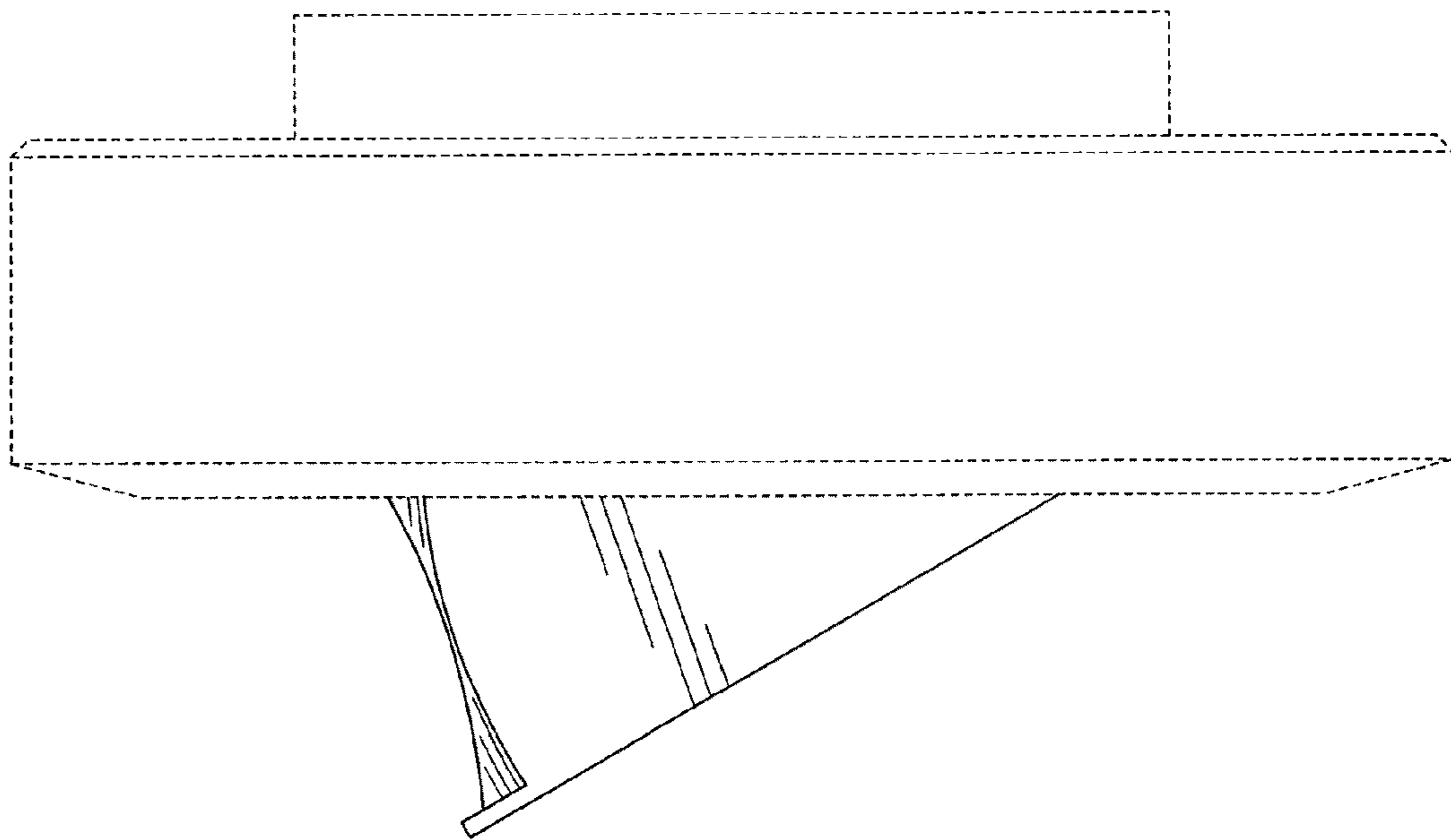


FIG.5

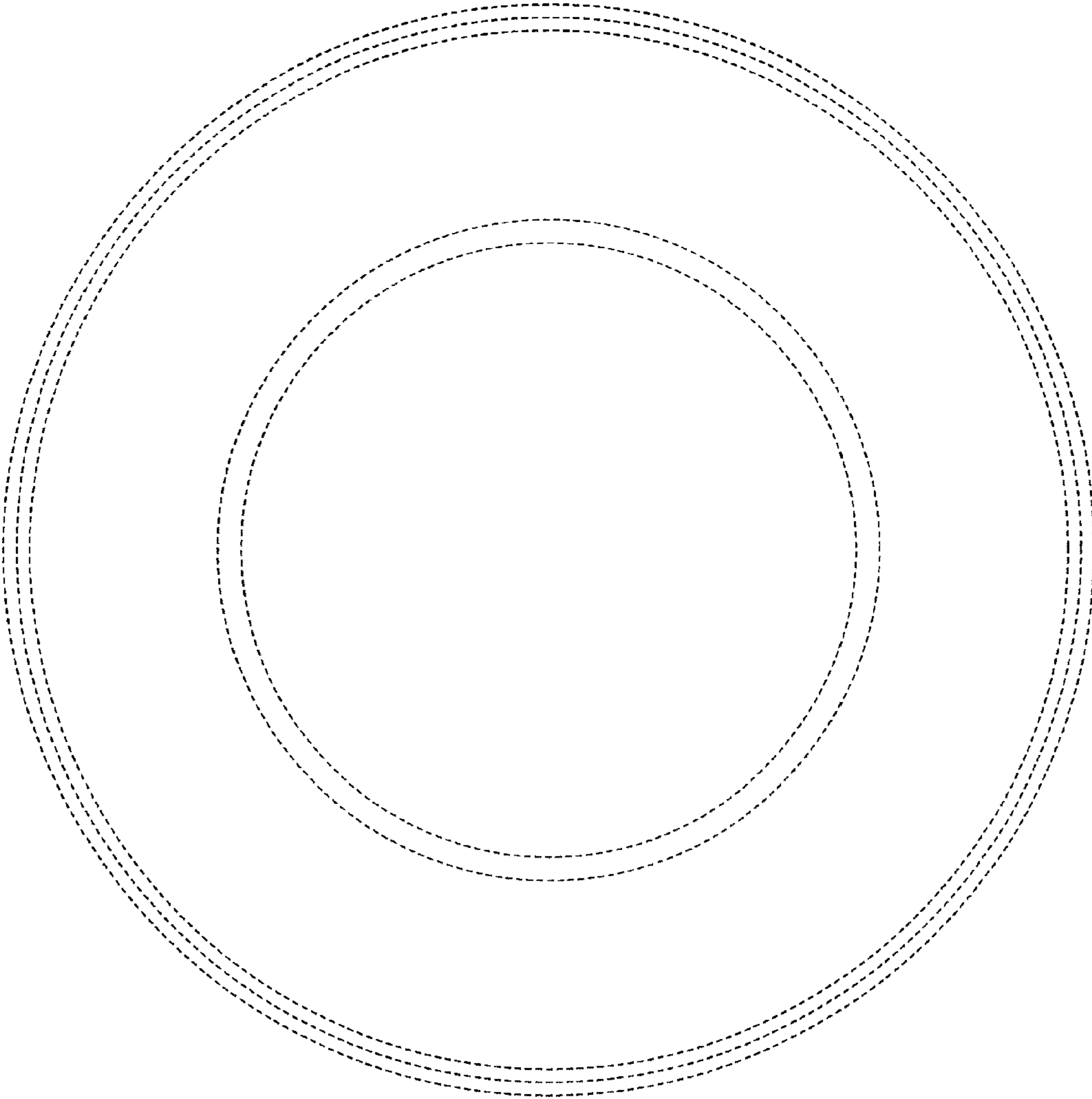


FIG.6

