



US00D630663S

(12) **United States Design Patent**  
**Meguro**

(10) **Patent No.:** **US D630,663 S**  
(45) **Date of Patent:** **\*\* Jan. 11, 2011**

(54) **PORTION OF A DIGITAL SINGLE-LENS CAMERA**

(75) Inventor: **Chikayoshi Meguro**, Hachioji (JP)

(73) Assignee: **Olympus Imaging Corp.**, Tokyo (JP)

(\*\*) Term: **14 Years**

(21) Appl. No.: **29/355,721**

(22) Filed: **Feb. 12, 2010**

(30) **Foreign Application Priority Data**

Dec. 25, 2009 (JP) ..... 2009-030349

(51) **LOC (9) Cl.** ..... **16-05**

(52) **U.S. Cl.** ..... **D16/219; D16/217**

(58) **Field of Classification Search** ..... D16/200,  
D16/202, 204, 206, 216–219; 348/373–376;  
358/909.1; 396/176–178, 354–359, 535  
See application file for complete search history.

(56) **References Cited**

**U.S. PATENT DOCUMENTS**

- D480,744 S \* 10/2003 Matsumura et al. .... D16/217
- D491,596 S \* 6/2004 Haga ..... D16/219
- D503,417 S \* 3/2005 Kawase ..... D16/202
- D530,357 S \* 10/2006 Takahashi et al. .... D16/202
- D565,075 S \* 3/2008 Hayashi ..... D16/219
- D587,292 S \* 2/2009 Kurita et al. .... D16/219

\* cited by examiner

*Primary Examiner*—Adir Aronovich

(74) *Attorney, Agent, or Firm*—Holtz, Holtz, Goodman & Chick, PC

(57) **CLAIM**

The ornamental design for a portion of a digital single-lens camera, as shown and described.

**DESCRIPTION**

FIG. 1 is a front, top and right side perspective view of a portion of a digital single-lens camera, showing my new design;

FIG. 2 is a front elevational view thereof;

FIG. 3 is a rear elevational view thereof;

FIG. 4 is a top plan view thereof;

FIG. 5 is a bottom plan view thereof;

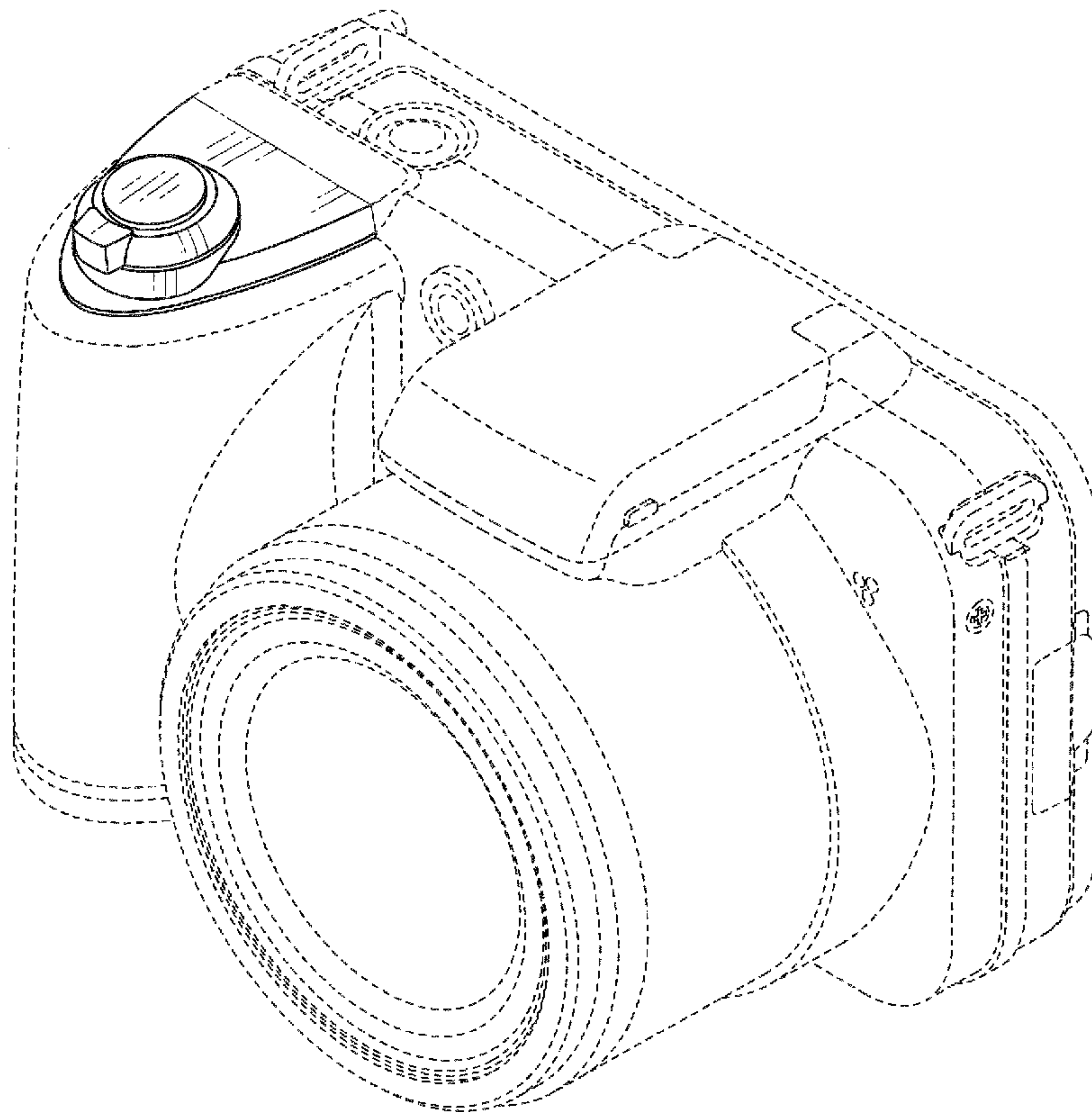
FIG. 6 is a right side elevational view thereof;

FIG. 7 is a left side elevational view thereof; and,

FIG. 8 is a partial enlarged front perspective view thereof.

The dash and dotted lines immediately adjacent the shaded areas represent the bounds of the claimed design while all other broken lines are directed to environment and are for illustrative purposes only; the broken lines form no part of the claimed design.

**1 Claim, 8 Drawing Sheets**



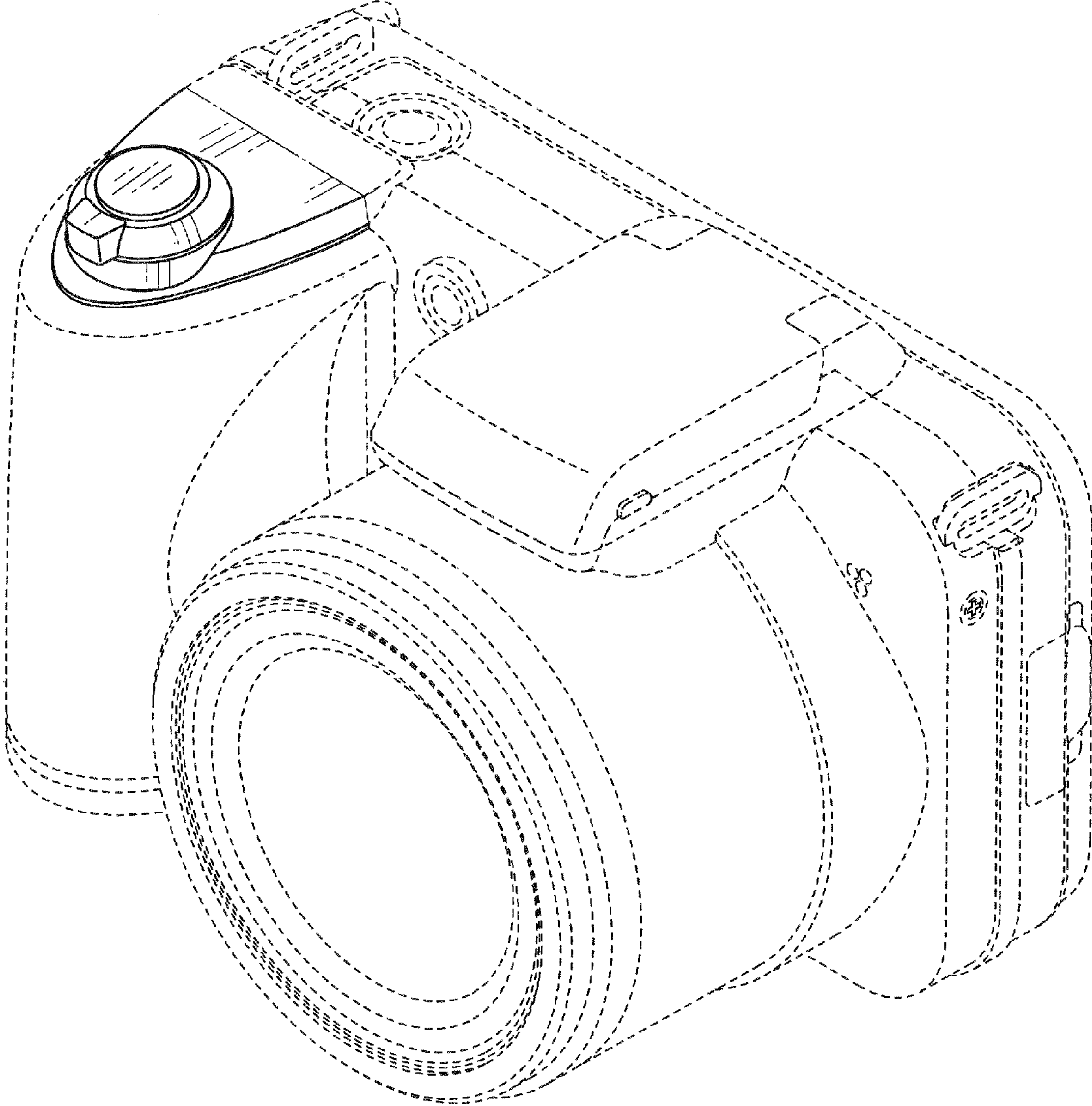


FIG.1

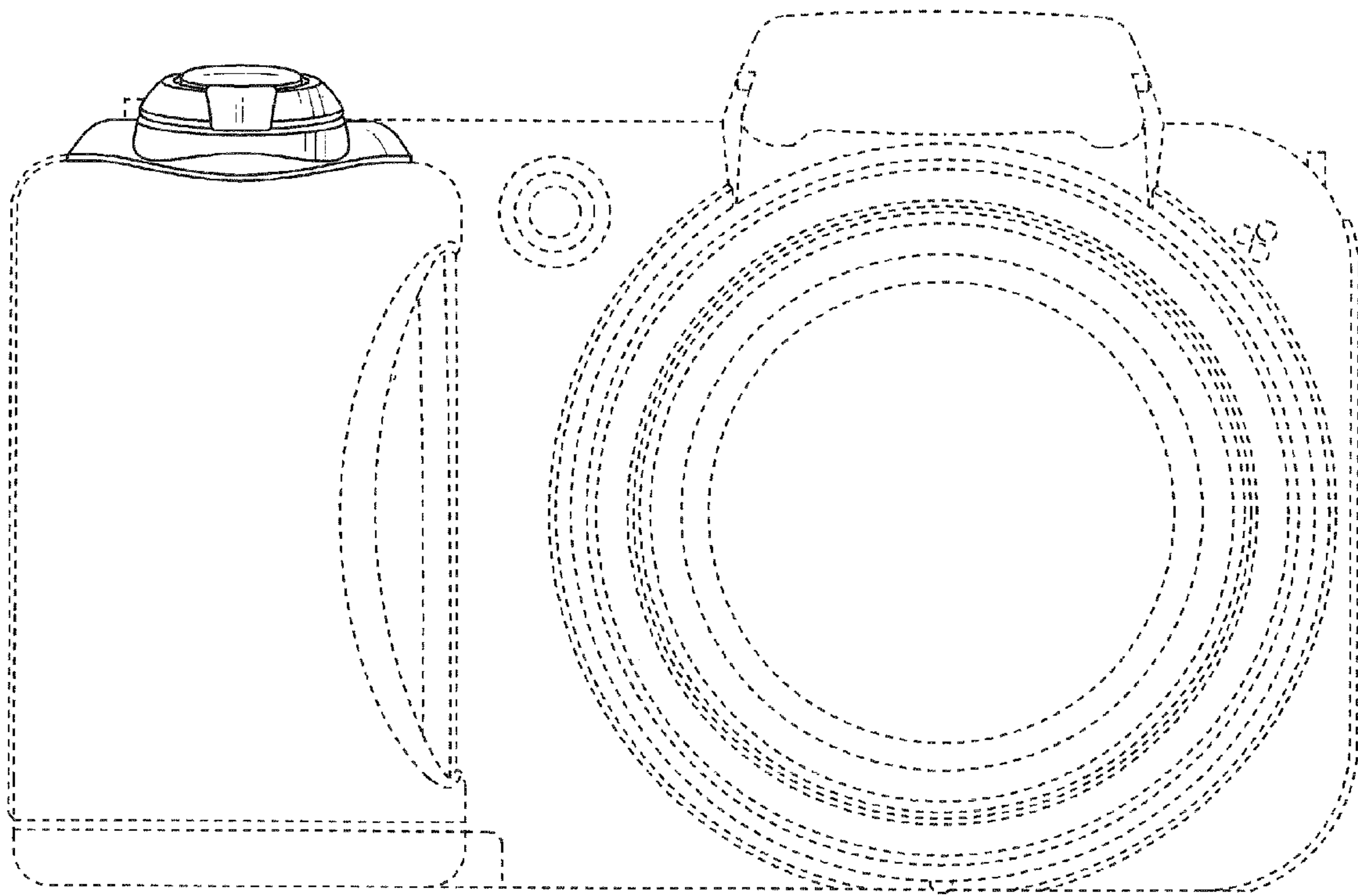


FIG. 2

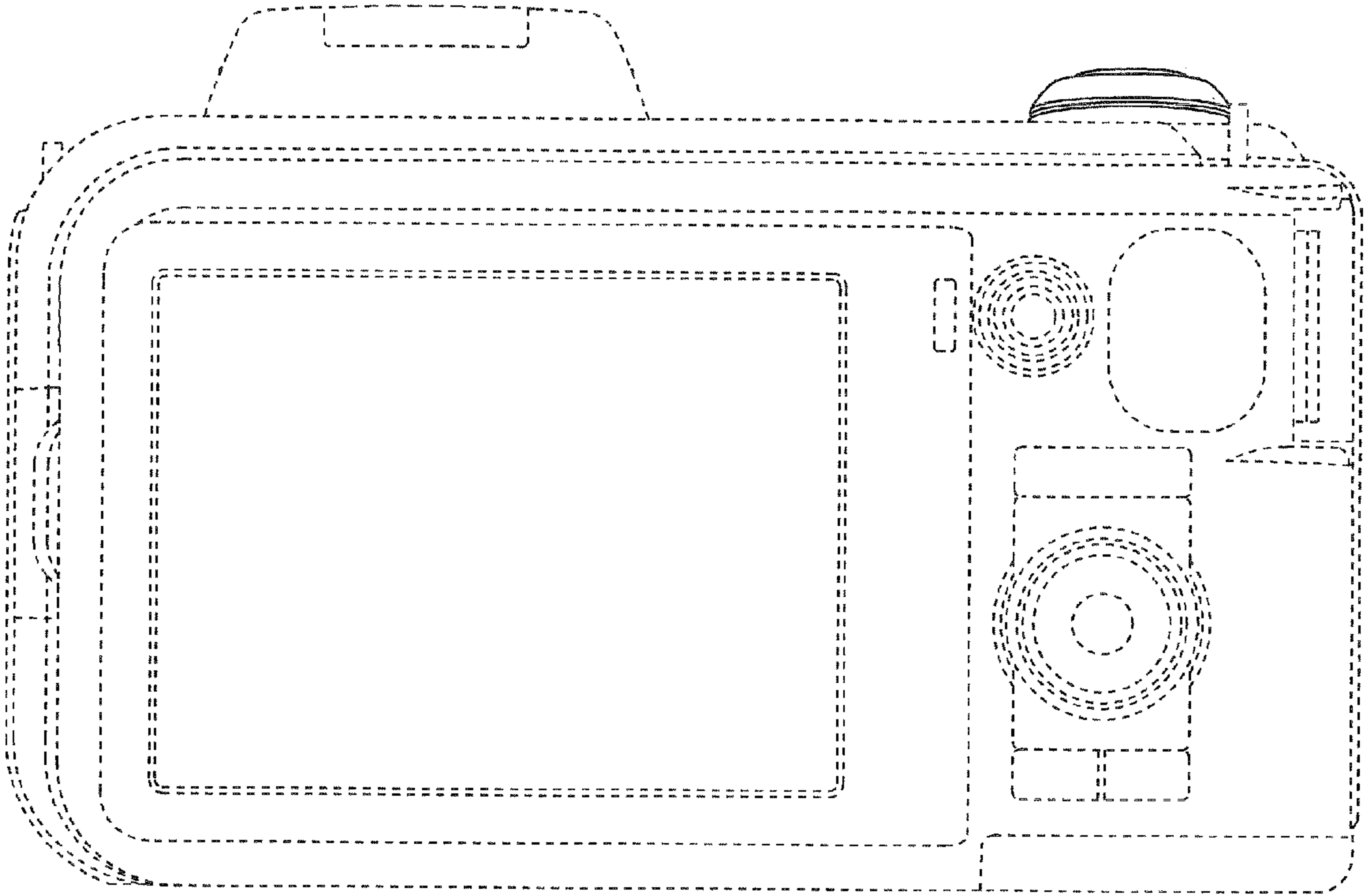


FIG.3



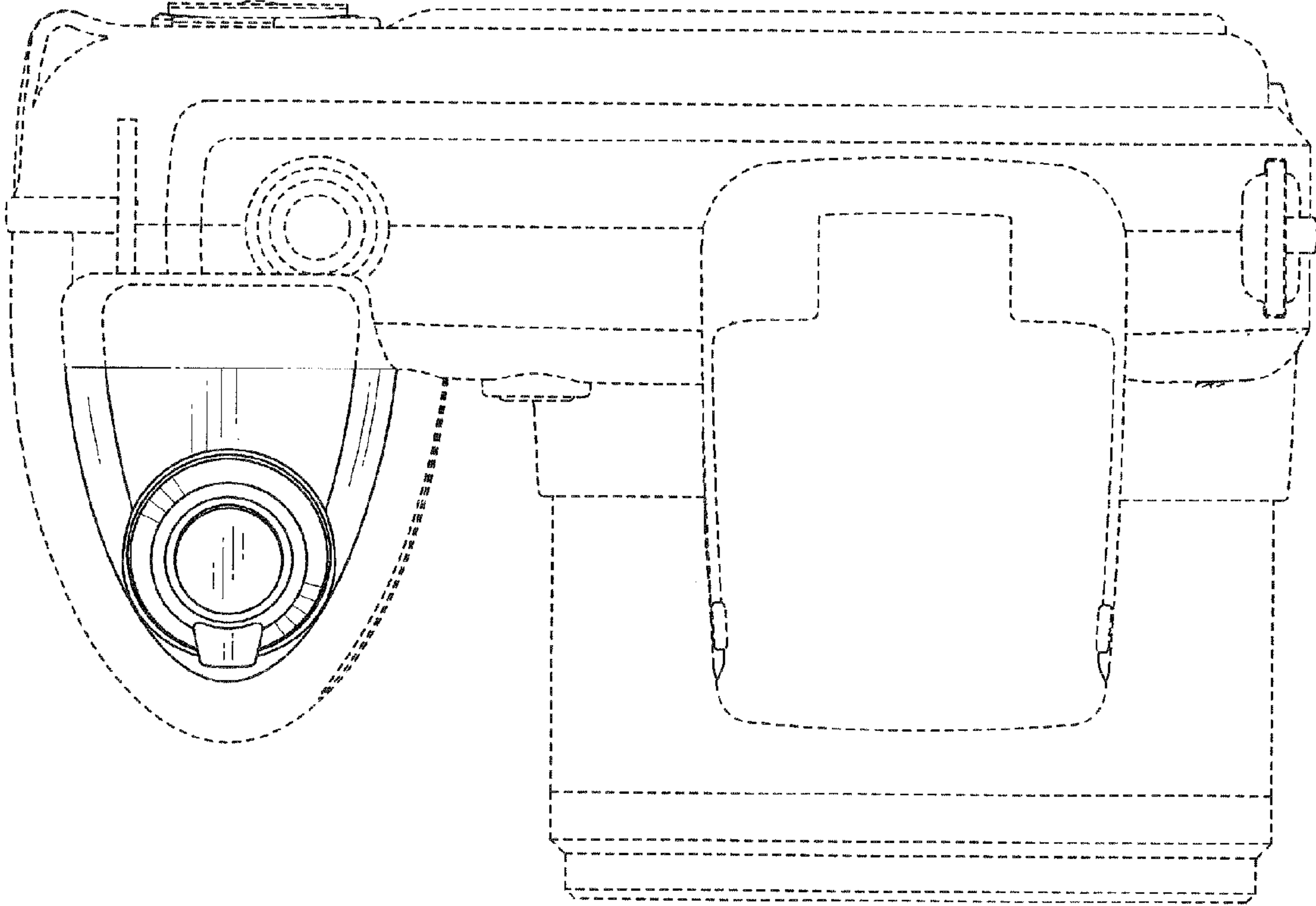


FIG. 4

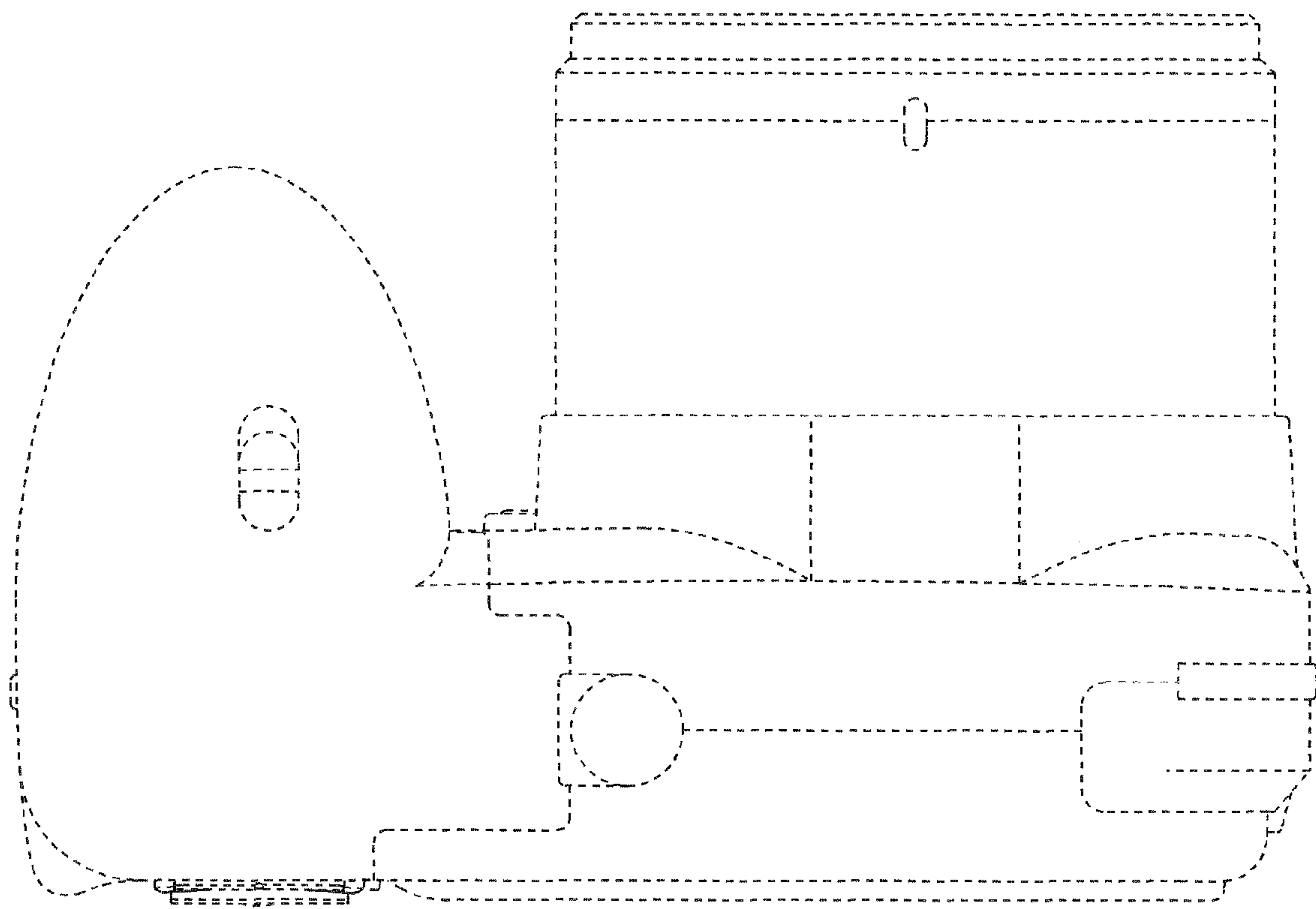


FIG.5

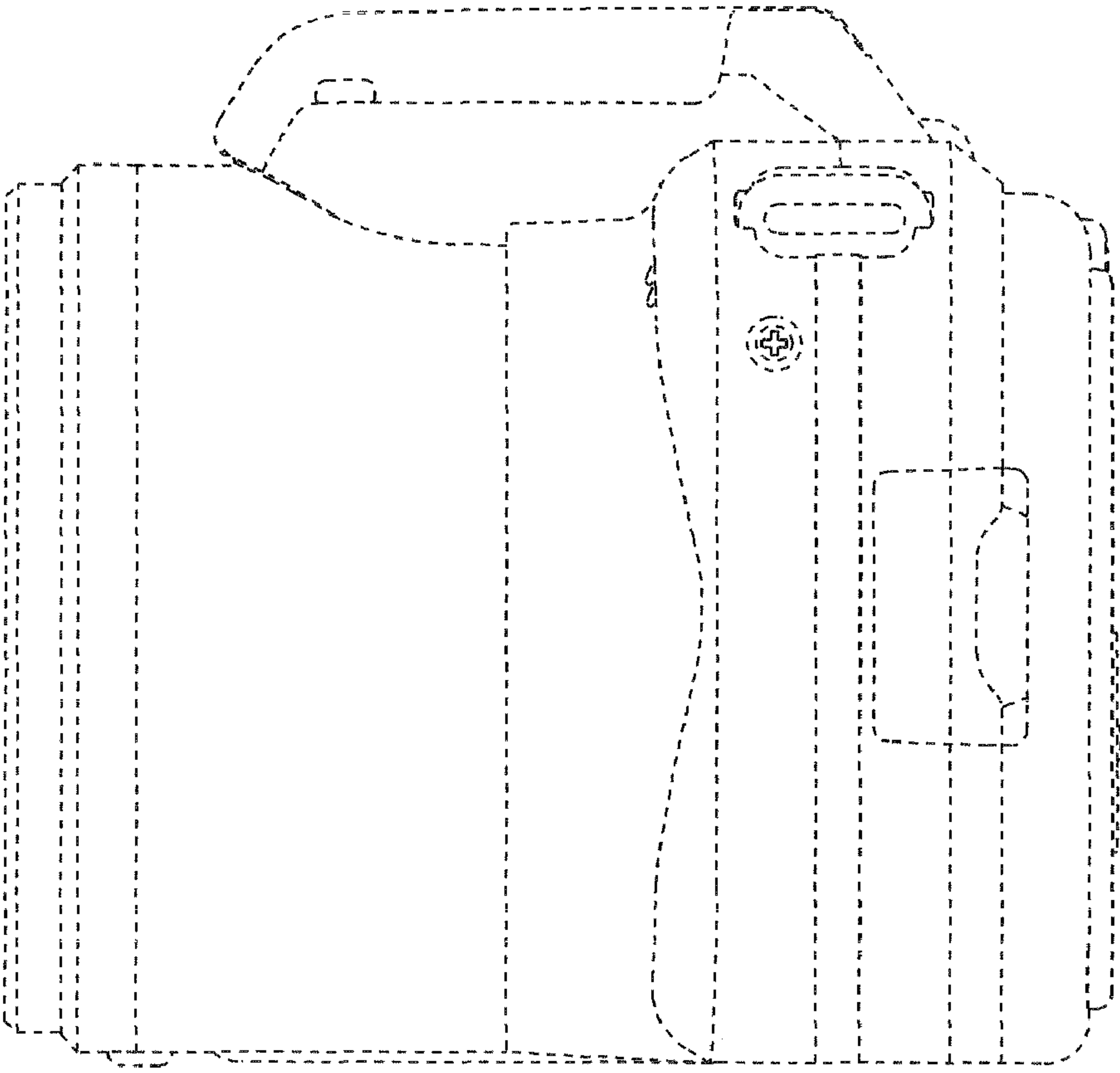


FIG.6

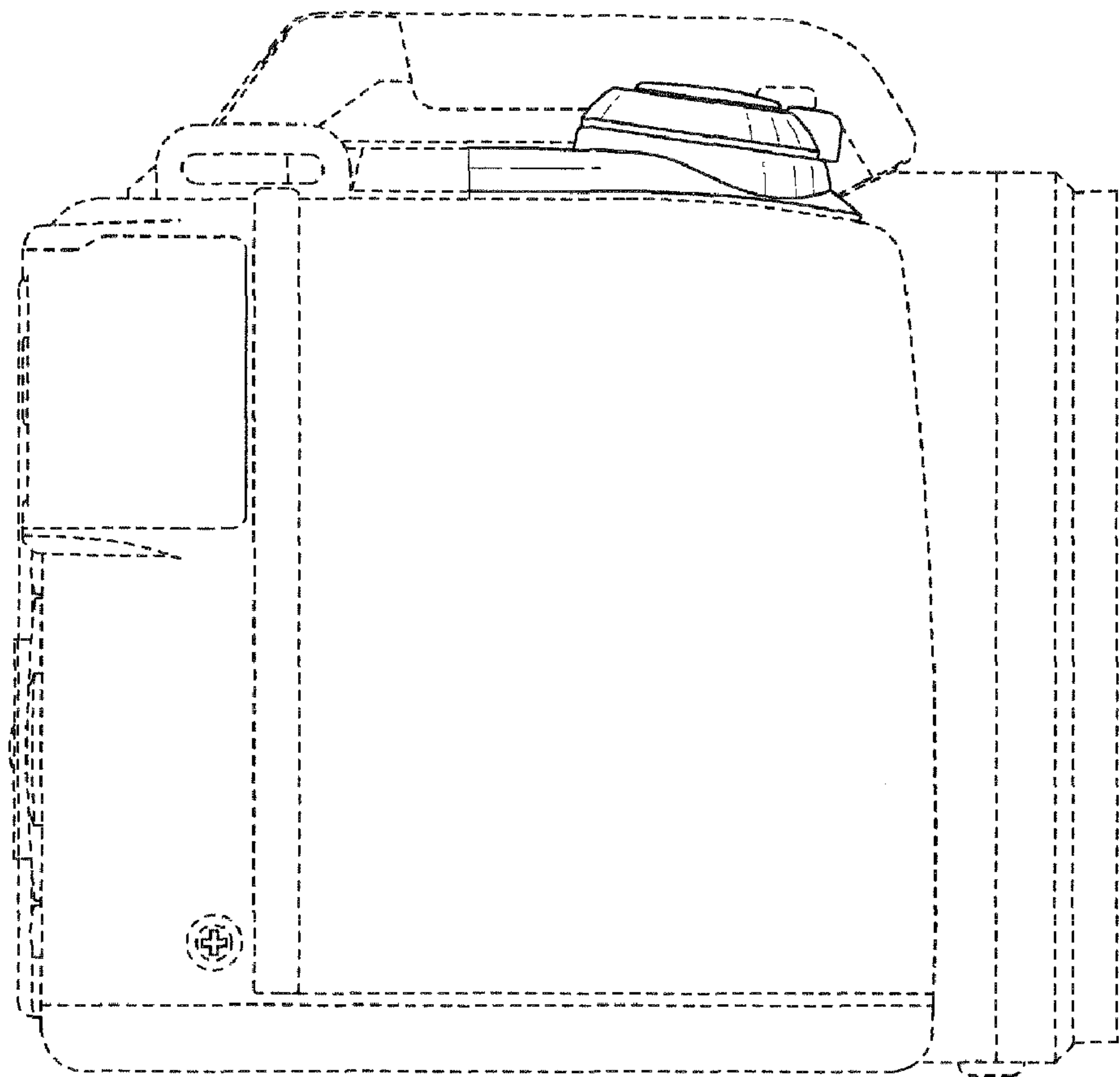


FIG. 7



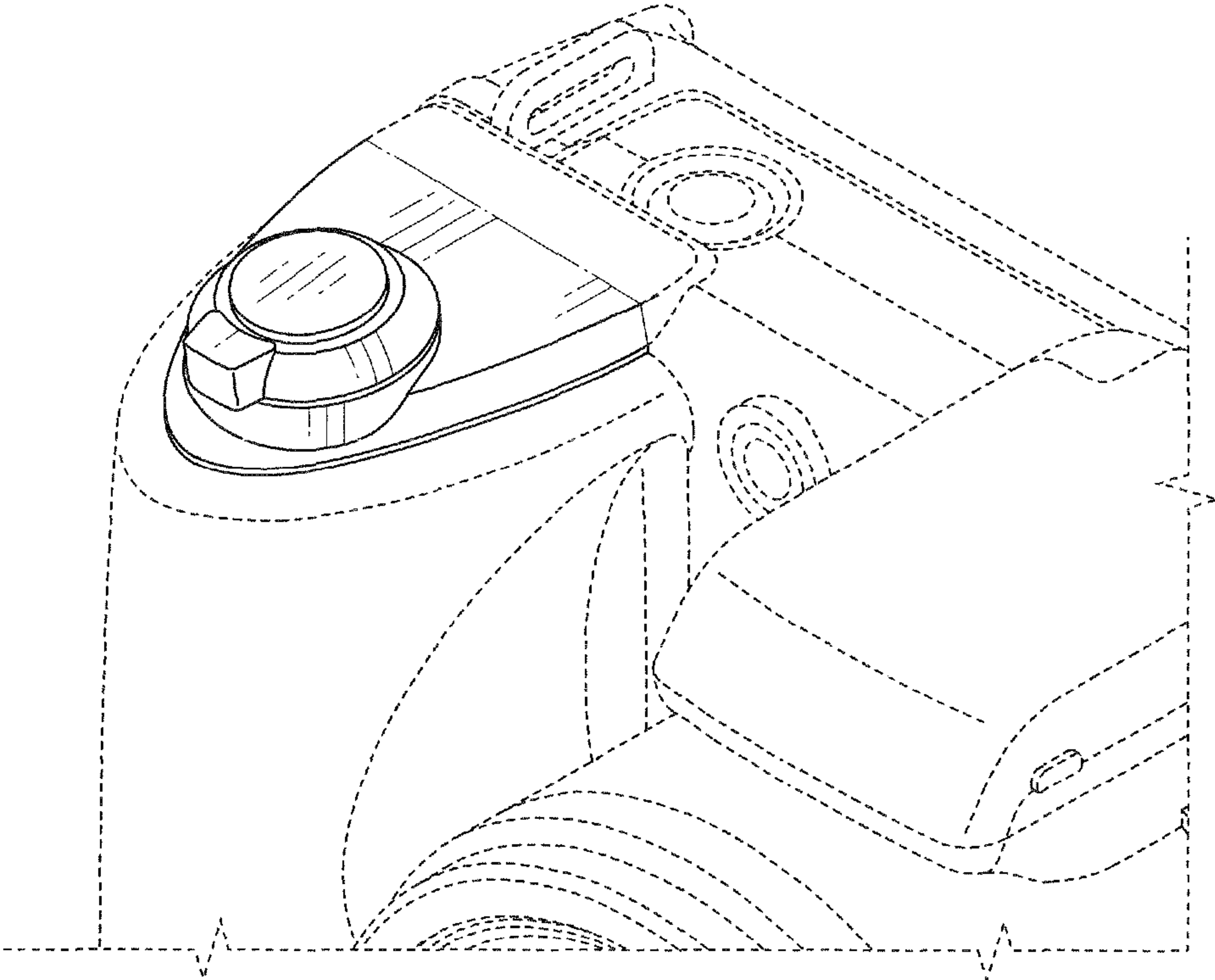


FIG.8