



US00D630662S

(12) **United States Design Patent**
Miyashita

(10) **Patent No.:** **US D630,662 S**
(45) **Date of Patent:** **** Jan. 11, 2011**

(54) **CAMERA**

D597,577 S * 8/2009 Kim et al. D16/202

(75) Inventor: **Shin Miyashita**, Tokyo (JP)

FOREIGN PATENT DOCUMENTS

(73) Assignee: **Sony Corporation**, Tokyo (JP)

JP D1286364 S 11/2006
JP D1328166 S 4/2008
JP D1346285 S 12/2008

(**) Term: **14 Years**

OTHER PUBLICATIONS

(21) Appl. No.: **29/347,562**

Web page, "DMC-ZR1S", <http://www2.panasonic.com/consumer-electronics/shop/Cameras-Camcorders/Digital-Cameras/Lumix-...>, 3 pages, Panasonic Corporation, 2009.

(22) Filed: **Mar. 4, 2010**

Web page, "DMC-ZS1S", <http://www2.panasonic.com/consumer-electronics/shop/Cameras-Camcorders/Digital-Cameras/Lumix-...>, 3 pages, Panasonic Corporation, 2009.

(30) **Foreign Application Priority Data**

Jan. 6, 2010 (JP) D2010-000123

Web page, "Samsung NV9 | NV Series | Samsung Digital Camera—UK", http://www.samsungcamcorder.co.uk/series/2/nv_series/camera/25/nv9.html, 3 pages, Samsung Photography E-magazine, 2010.

(51) **LOC (9) Cl.** **16-05**

(52) **U.S. Cl.** **D16/219**

(58) **Field of Classification Search** D16/200,
D16/201, 202, 204, 208, 218, 219; 348/373–376;
358/909.1; 396/535–541

* cited by examiner

See application file for complete search history.

Primary Examiner—Adir Aronovich

(74) *Attorney, Agent, or Firm*—Rader, Fishman & Grauer PLLC

(56) **References Cited**

U.S. PATENT DOCUMENTS

(57) **CLAIM**

- D432,149 S 10/2000 Sumita
- D435,572 S 12/2000 Maeyama
- D445,438 S 7/2001 Kubota
- D450,073 S 11/2001 Sumita
- D451,115 S 11/2001 Sumita
- D488,497 S 4/2004 Suzuki
- D500,068 S 12/2004 Hayashi
- D522,555 S 6/2006 Choi
- D524,348 S * 7/2006 Nagayama et al. D16/219
- D528,579 S 9/2006 Yasutomi
- D532,031 S 11/2006 Hayashi
- D532,810 S * 11/2006 Kim D16/202
- D539,319 S 3/2007 Masamitsu et al.
- D543,227 S * 5/2007 Hayashi D16/202
- D550,746 S * 9/2007 Inaba D16/219
- D557,311 S * 12/2007 Hanafusa et al. D16/219
- D561,225 S * 2/2008 Miyahara D16/219
- D564,563 S * 3/2008 Kamiya et al. D16/219
- D566,154 S 4/2008 Kawase
- D582,461 S * 12/2008 Hayashi D16/219

The ornamental design for a camera, as shown and described.

DESCRIPTION

FIG. 1 is a perspective view of a camera showing my new design;

FIG. 2 is a front elevational view thereof;

FIG. 3 is a rear elevational view thereof;

FIG. 4 is a left side elevational view thereof;

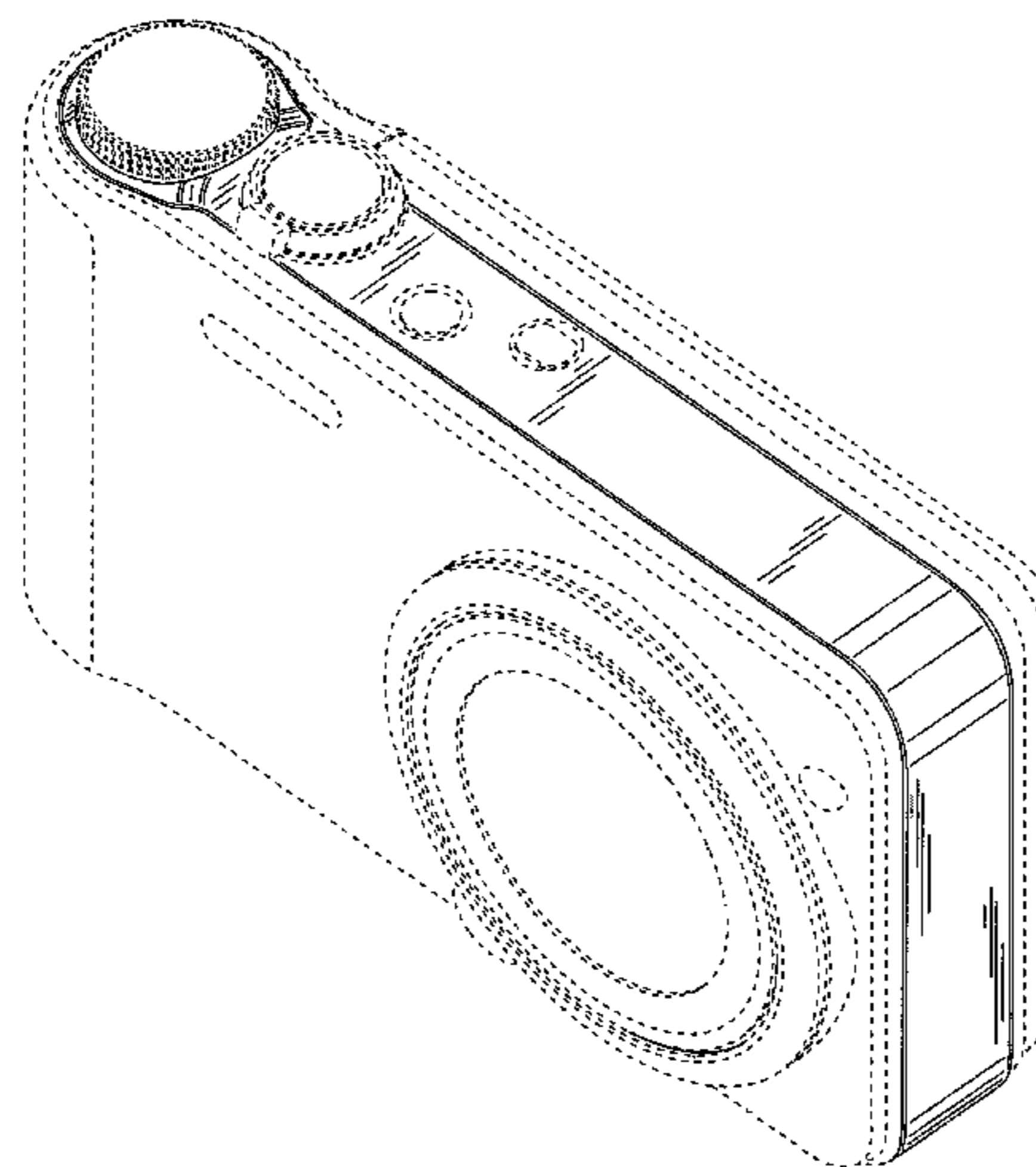
FIG. 5 is a right side elevational view thereof;

FIG. 6 is a top plan view thereof; and,

FIG. 7 is a bottom plan view thereof.

Portions in broken lines are for illustrative purposes only and form no part of claimed design.

1 Claim, 5 Drawing Sheets



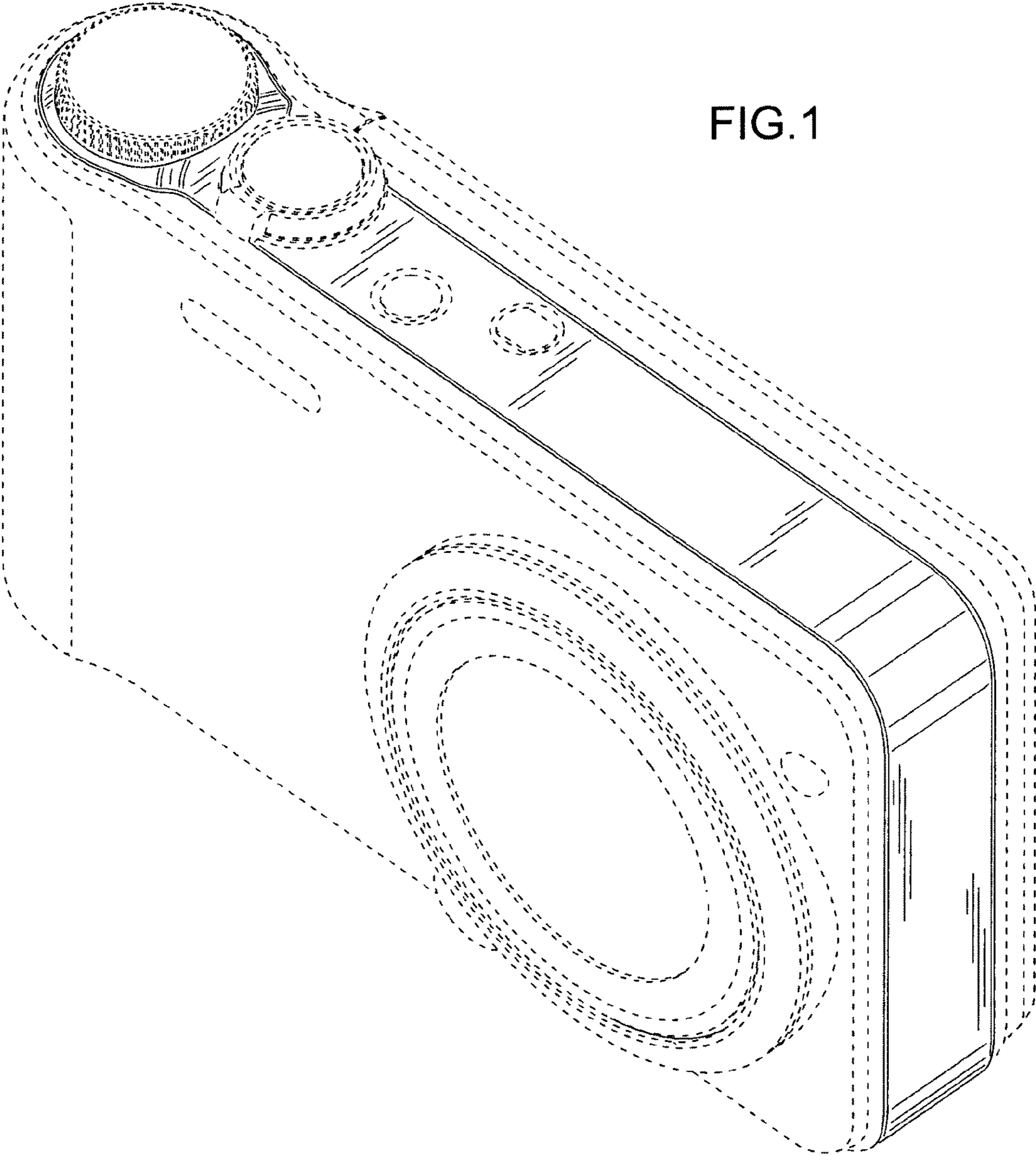


FIG. 1

FIG.2

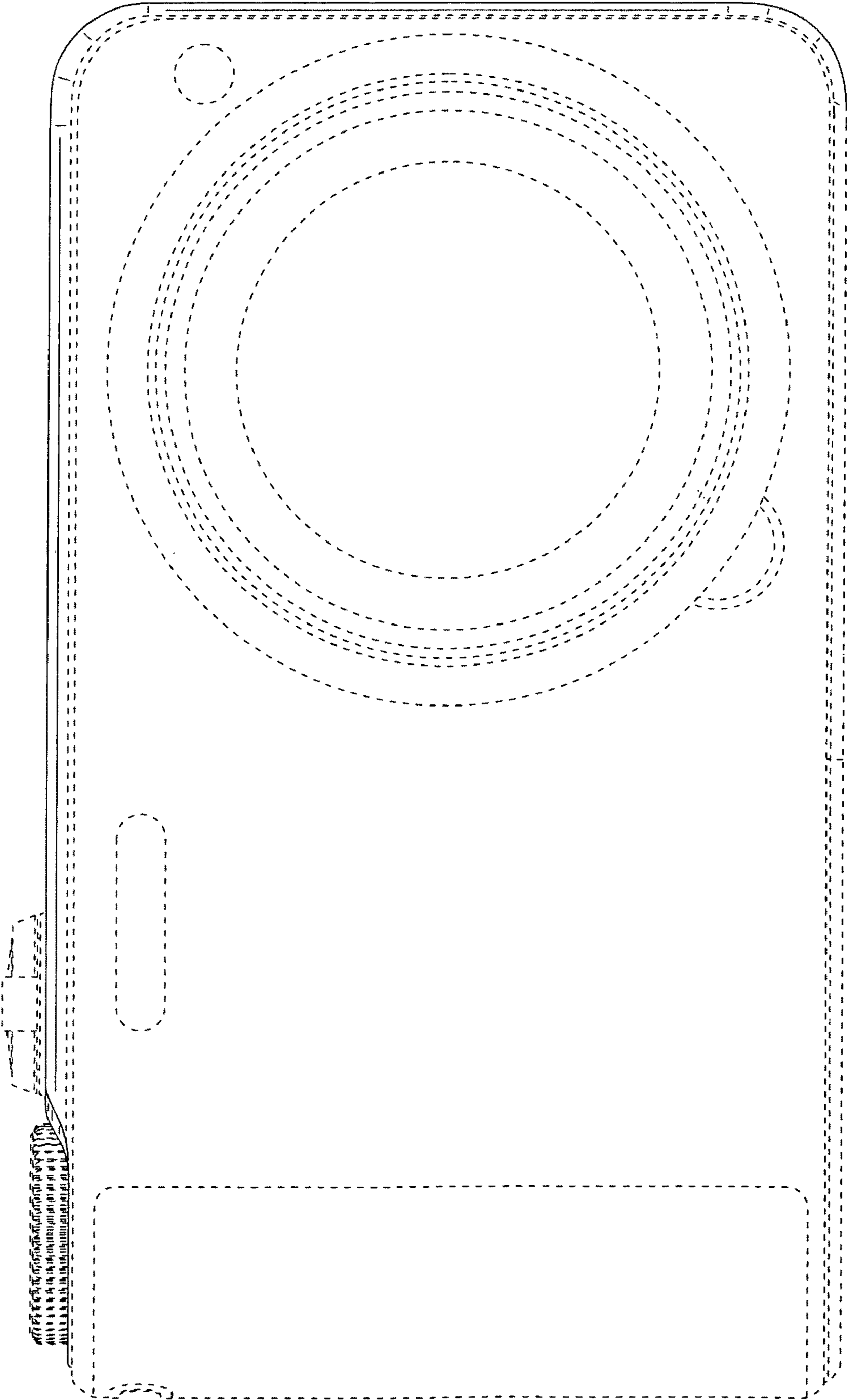


FIG.3

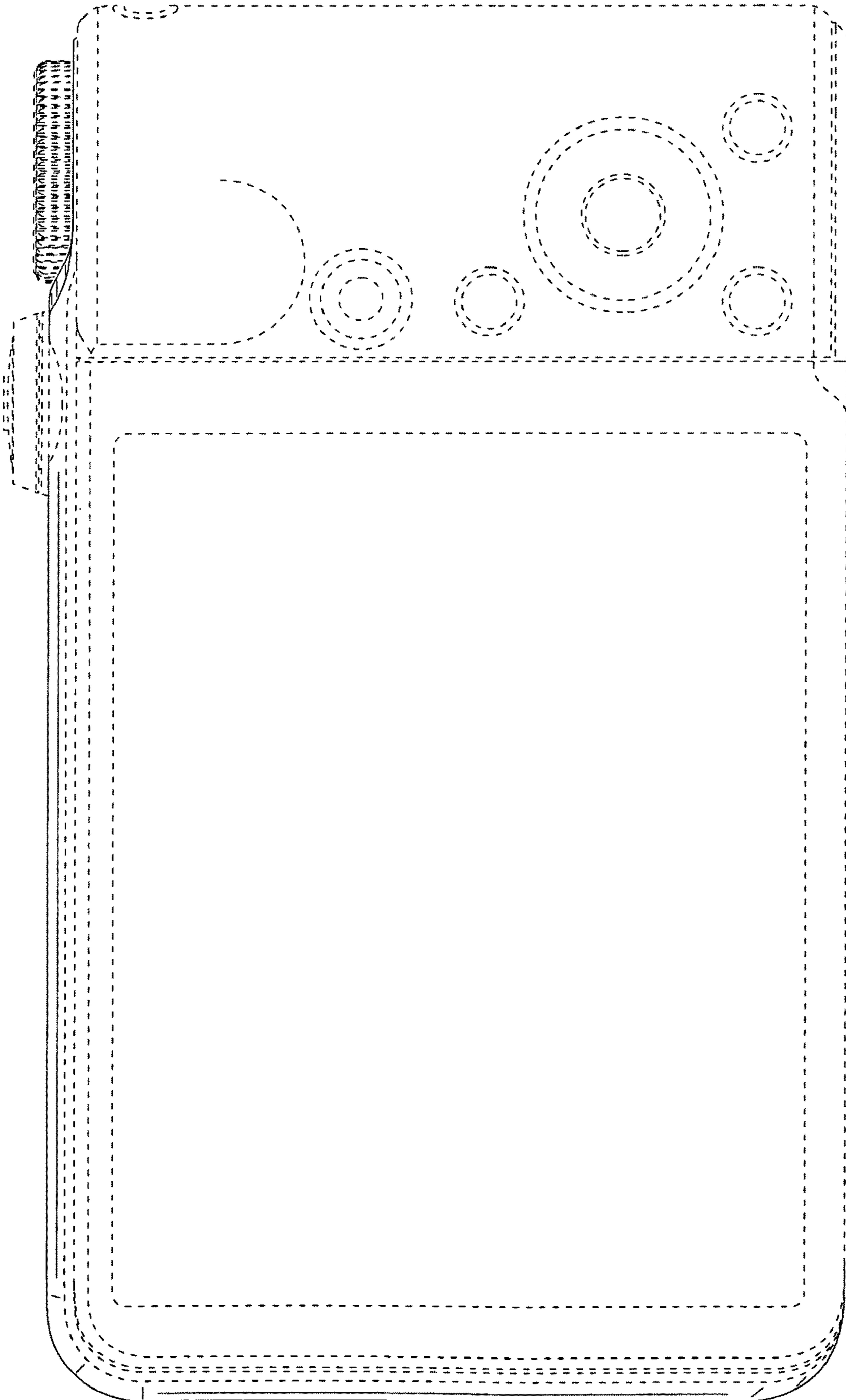


FIG.5

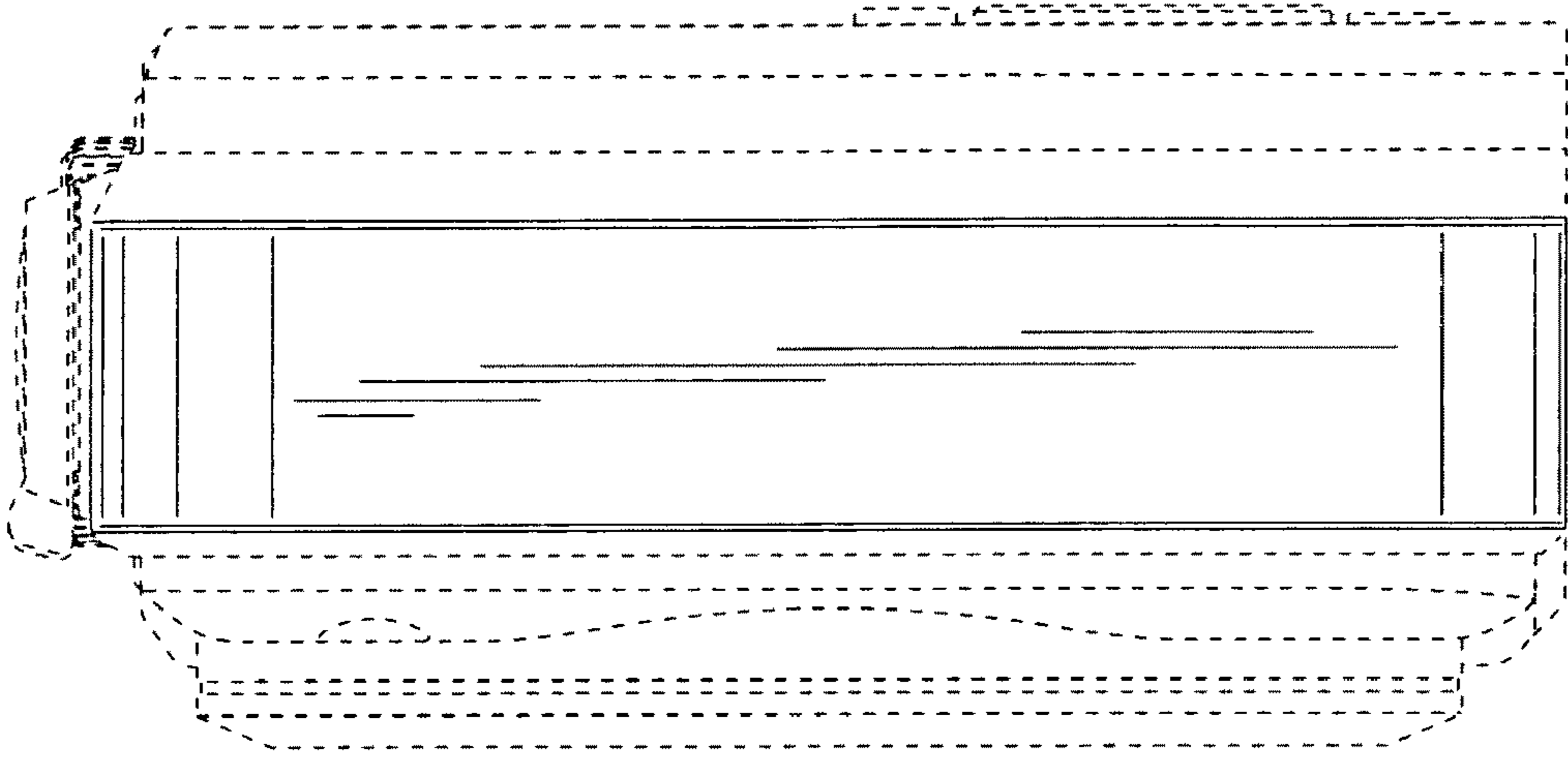


FIG.4

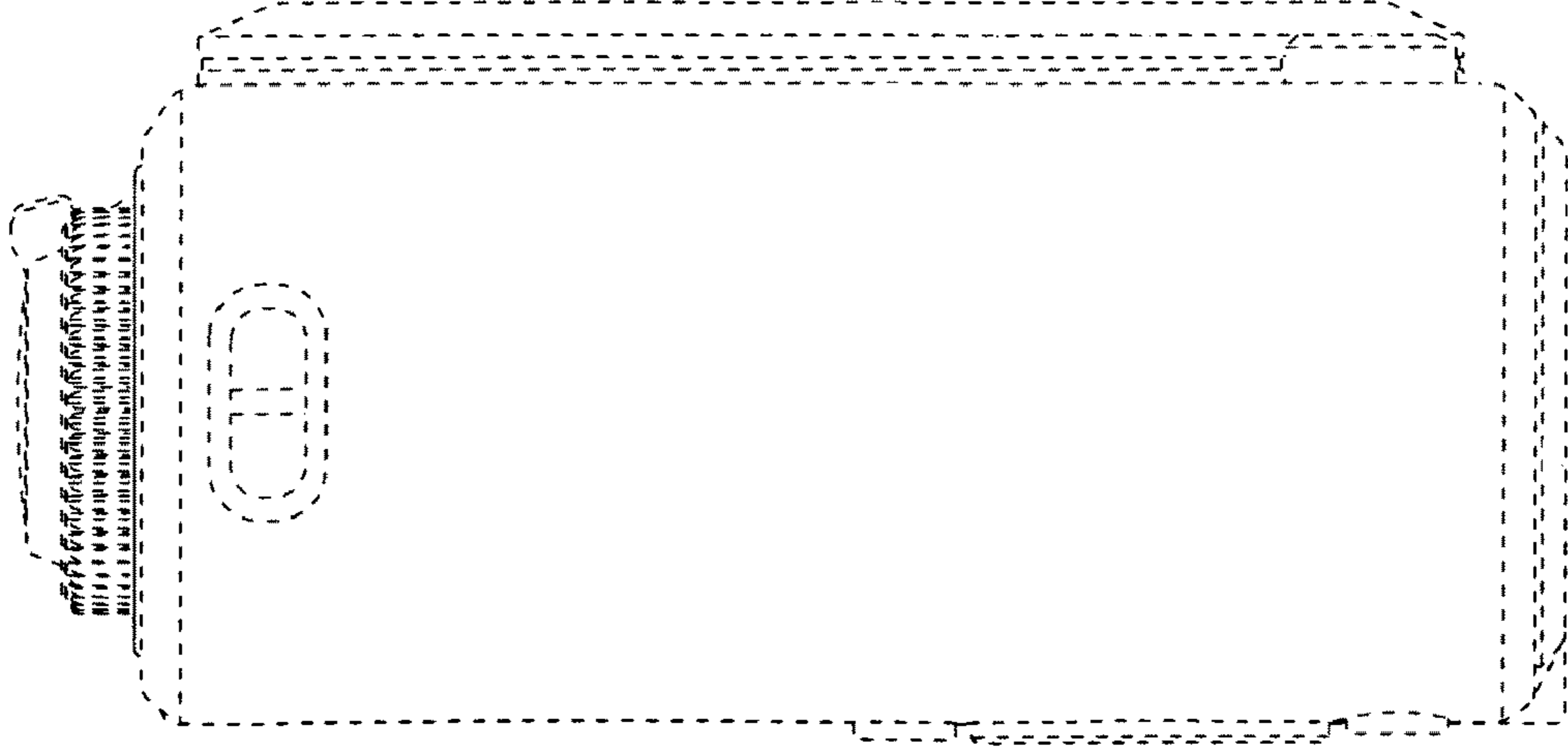


FIG.6

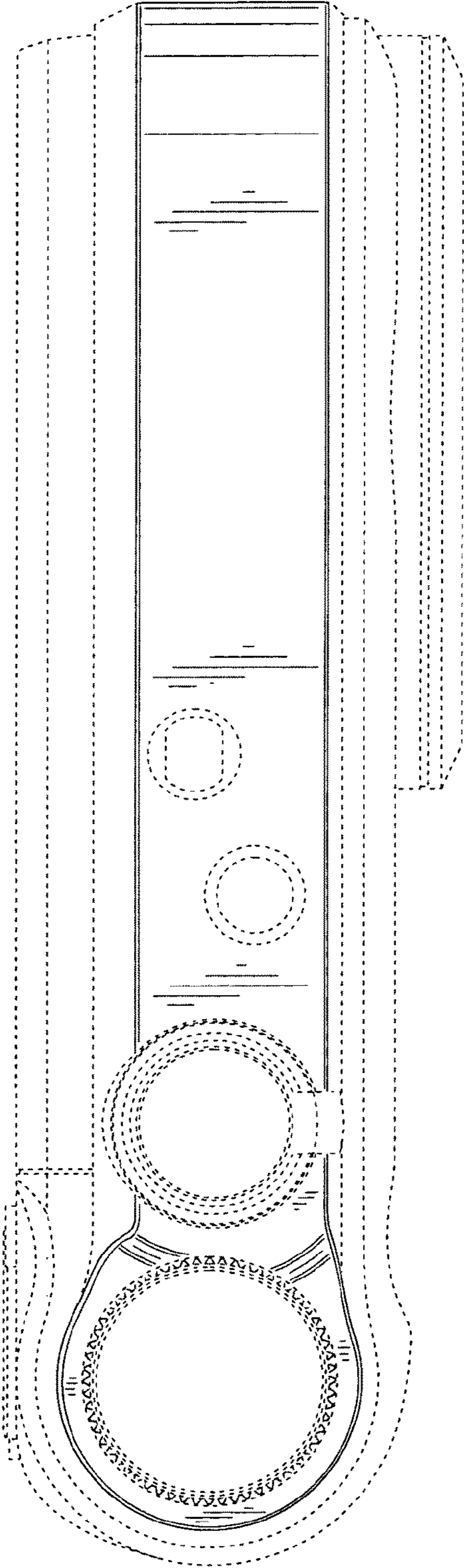


FIG.7

