



(12) **United States Design Patent**
Stoiakine

(10) **Patent No.:** **US D630,660 S**
(45) **Date of Patent:** **** Jan. 11, 2011**

(54) **MICROSCOPE**

(75) Inventor: **Denis Stoiakine**, Castletroy (IE)

(73) Assignee: **NT-MDT House**, Limerick (IE)

(**) Term: **14 Years**

(21) Appl. No.: **29/348,533**

(22) Filed: **Jan. 14, 2010**

(51) **LOC (9) Cl.** **16-06**

(52) **U.S. Cl.** **D16/131**

(58) **Field of Classification Search** D16/130,
D16/131, 136; D24/225; 359/375, 376,
359/377, 368, 369, 389, 393, 390, 391, 392,
359/398, 557, 385

See application file for complete search history.

(56) **References Cited**

U.S. PATENT DOCUMENTS

2,677,987	A *	5/1954	Gallasch	359/392
D252,276	S *	7/1979	Griffith	D16/131
4,679,904	A *	7/1987	Kurihara	359/824
4,863,252	A *	9/1989	McCarthy et al.	359/376
4,968,125	A *	11/1990	Rodriquez	359/379
D340,252	S *	10/1993	Frenkler et al.	D16/131
D354,761	S *	1/1995	Komatsuzaki et al.	D16/131
5,870,222	A *	2/1999	Yamamoto et al.	359/368
D419,168	S *	1/2000	Franks et al.	D16/131
6,181,471	B1 *	1/2001	Miyoshi	359/388
D445,813	S *	7/2001	Asaka et al.	D16/131

D457,178 S * 5/2002 Knoblich et al. D16/131
D601,178 S * 9/2009 Apotheloz D16/131

* cited by examiner

Primary Examiner—Paula Greene

(74) *Attorney, Agent, or Firm*—Fross Zelnick Lehrman & Zissu, P.C.; Charles T. J. Weigell, Esq.

(57) **CLAIM**

The ornamental design for a microscope, as shown and described.

DESCRIPTION

FIG. 1 is a front perspective view of a microscope showing my new design;

FIG. 2 is a front view of the microscope shown in FIG. 1;

FIG. 3 is a rear view of the pouring lid shown in FIG. 1;

FIG. 4 is a right side view of the microscope shown in FIG. 1;

FIG. 5 is a left side view of the microscope shown in FIG. 1;

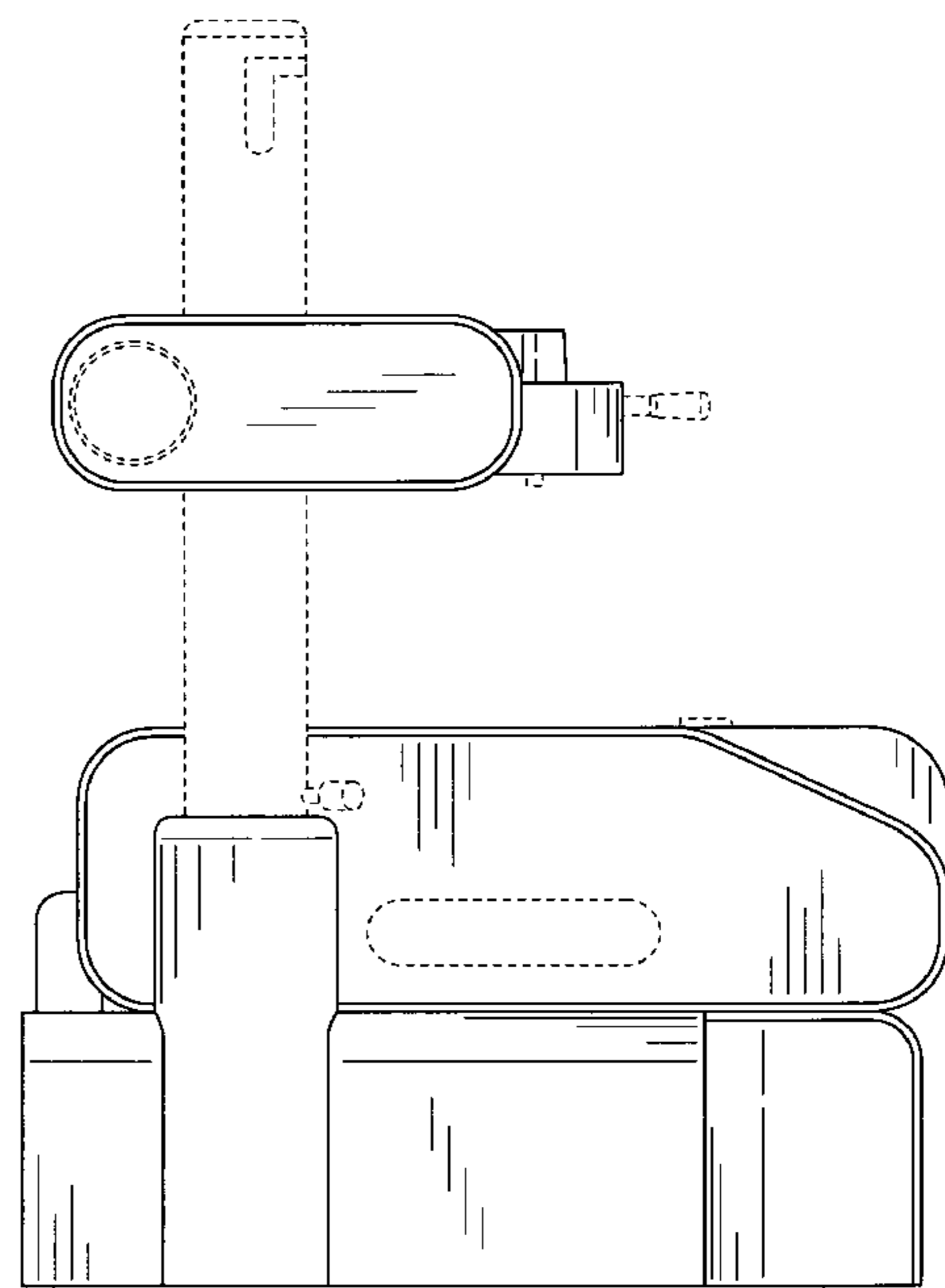
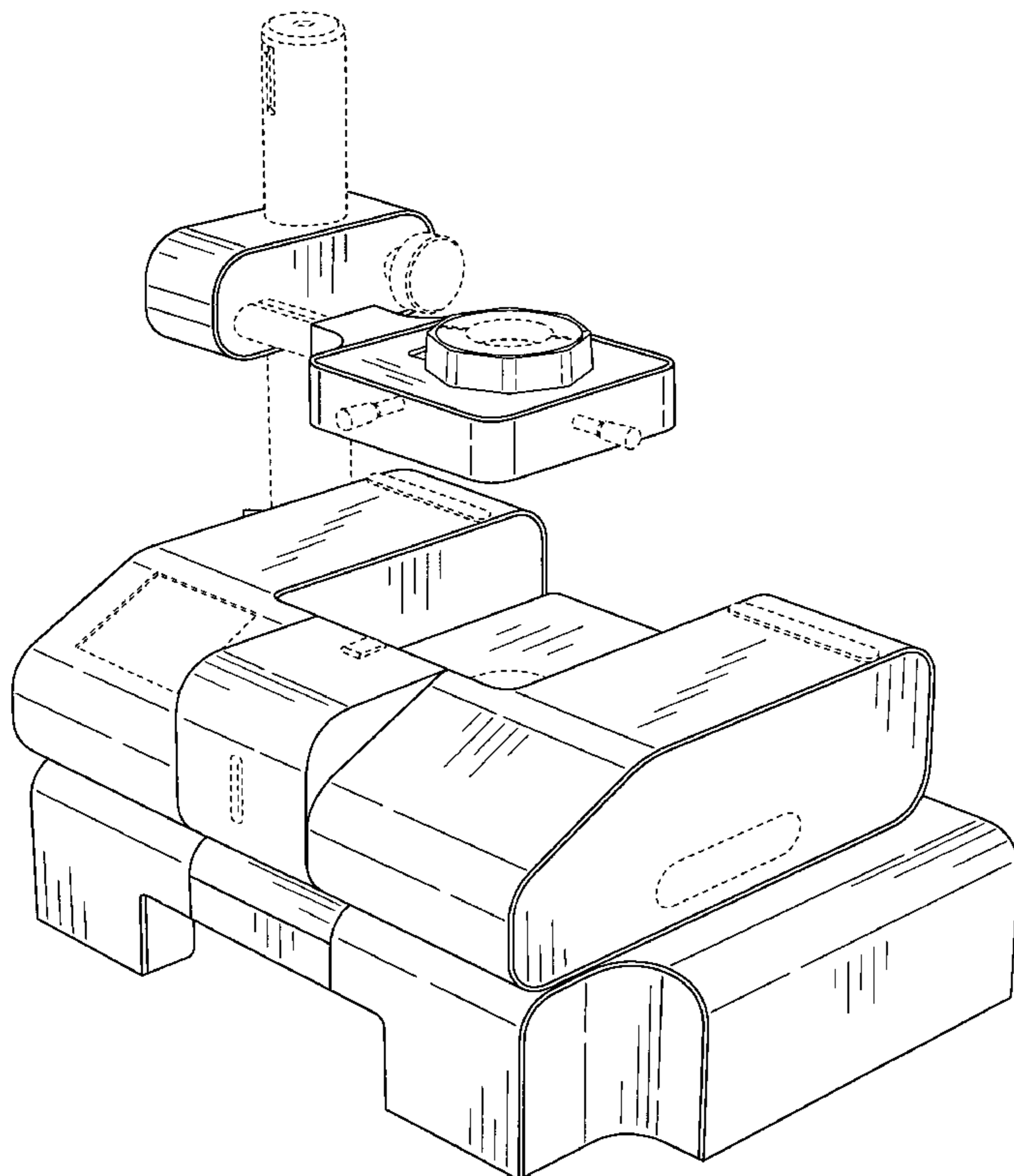
FIG. 6 is a top view of the microscope shown in FIG. 1;

FIG. 7 is a bottom view of the microscope shown in FIG. 1; and,

FIG. 8 is a rear perspective view of the microscope shown in FIG. 1.

The broken lines showing of various portions of the microscope are for illustrative purposes and form no part of the claimed design.

1 Claim, 8 Drawing Sheets



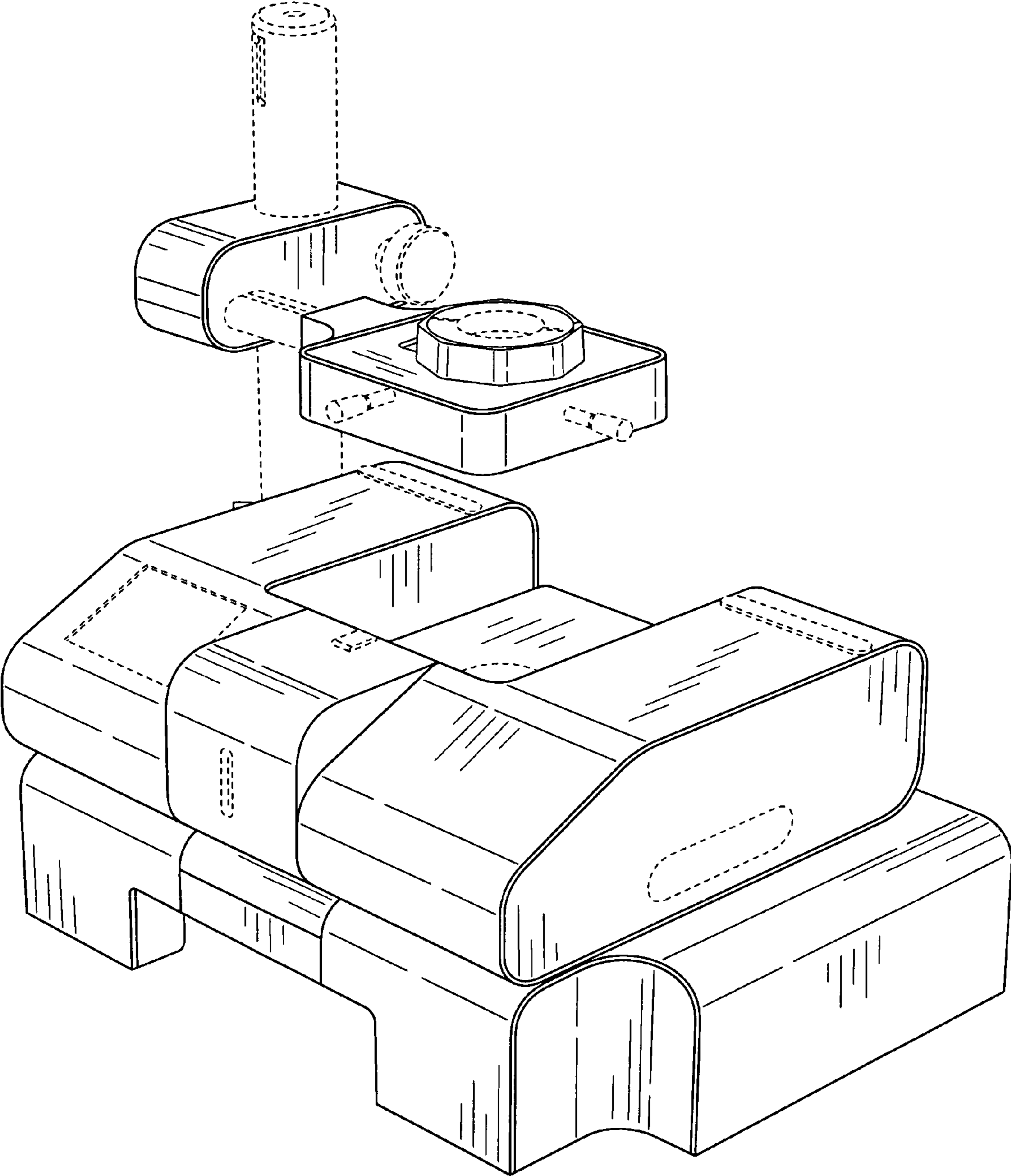


FIG. 1

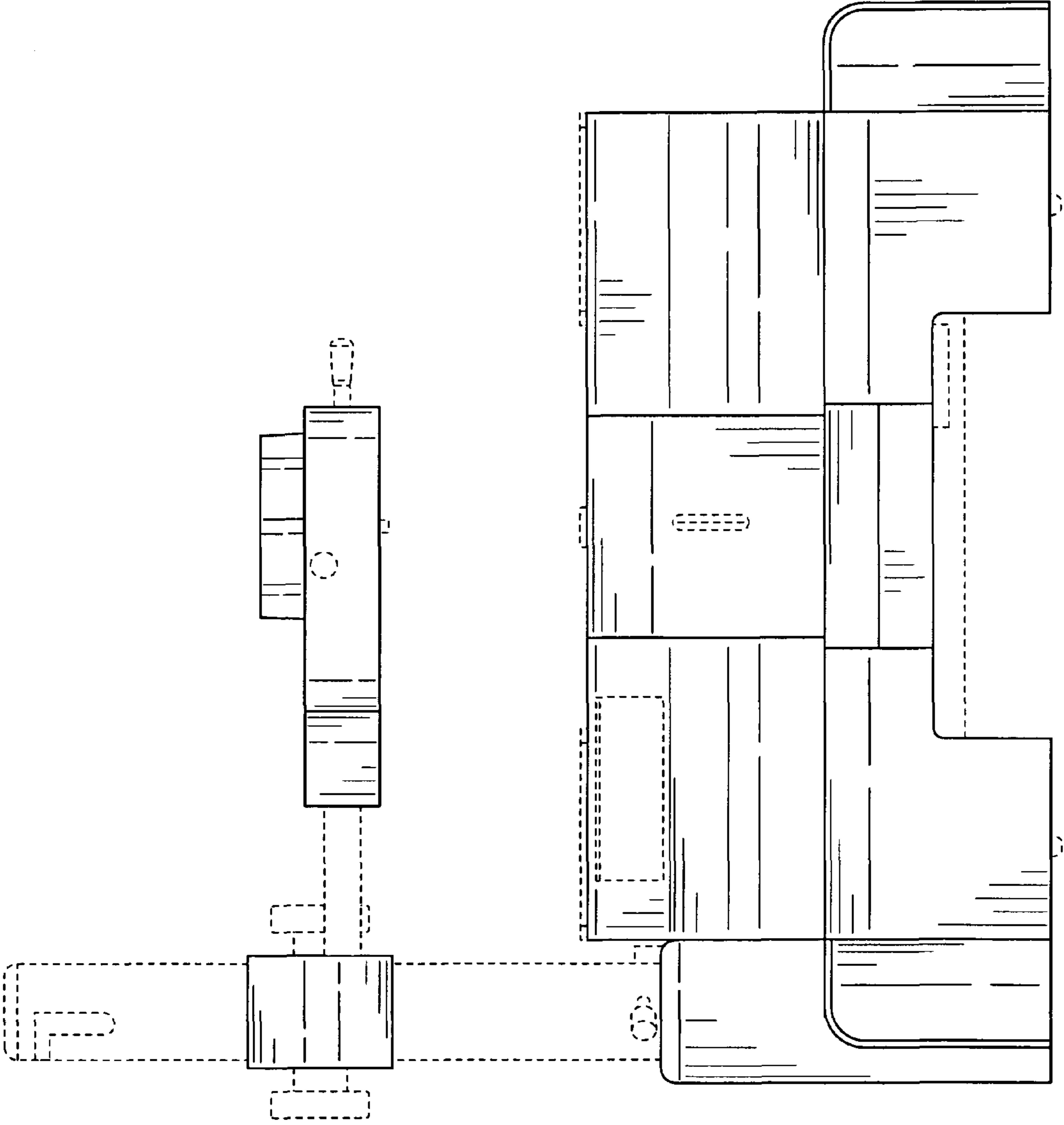


FIG. 2

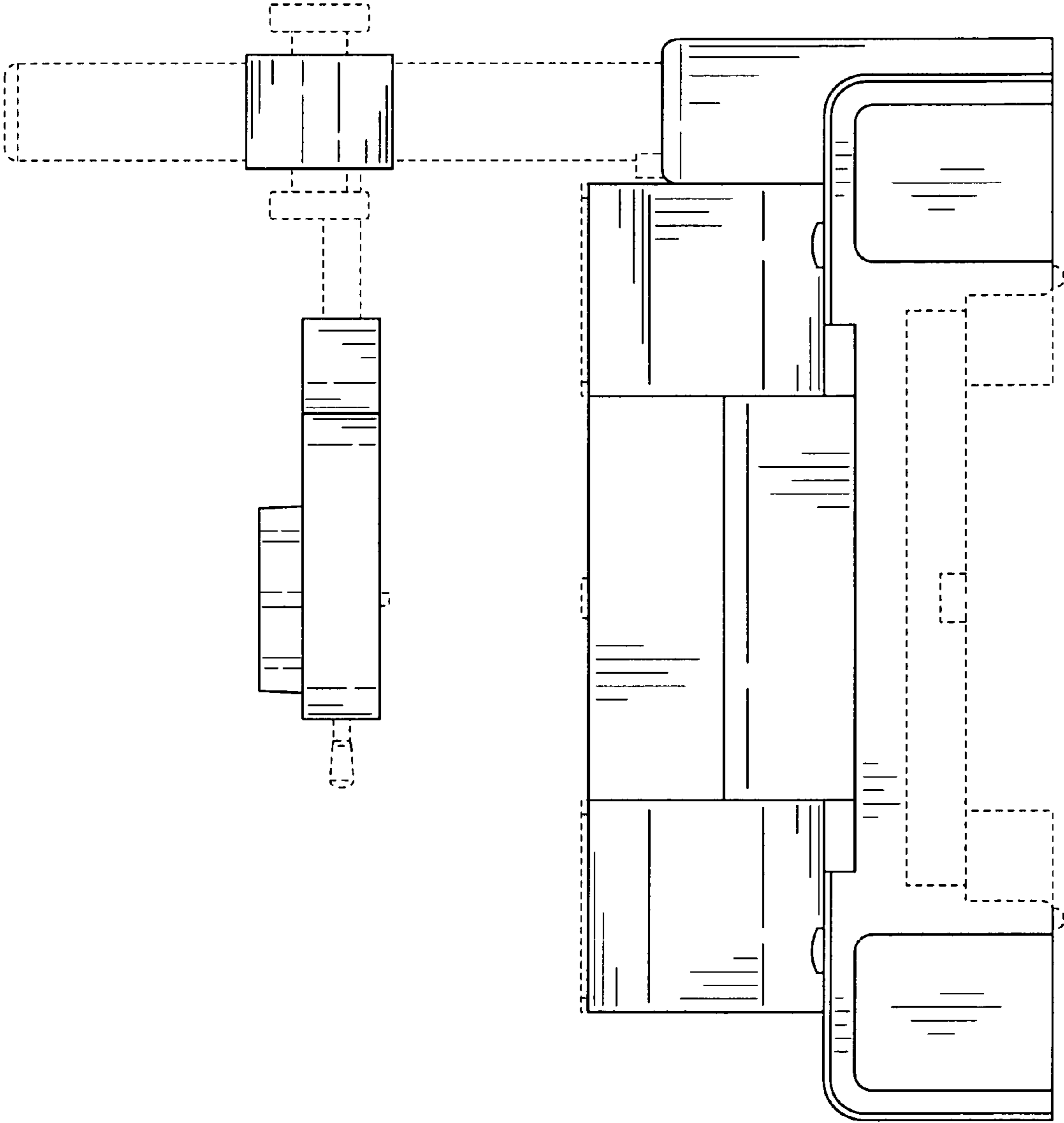


FIG. 3

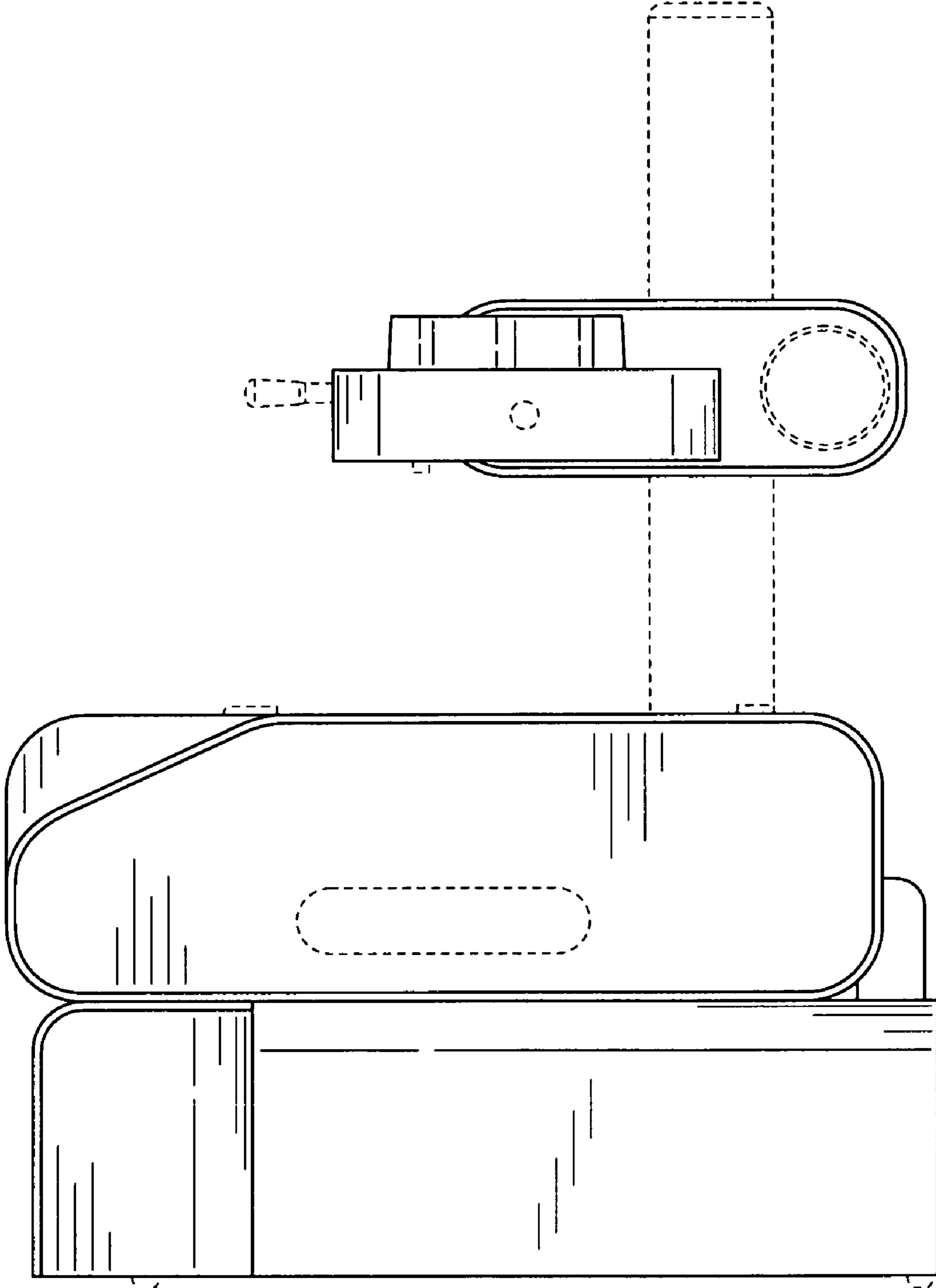


FIG. 4

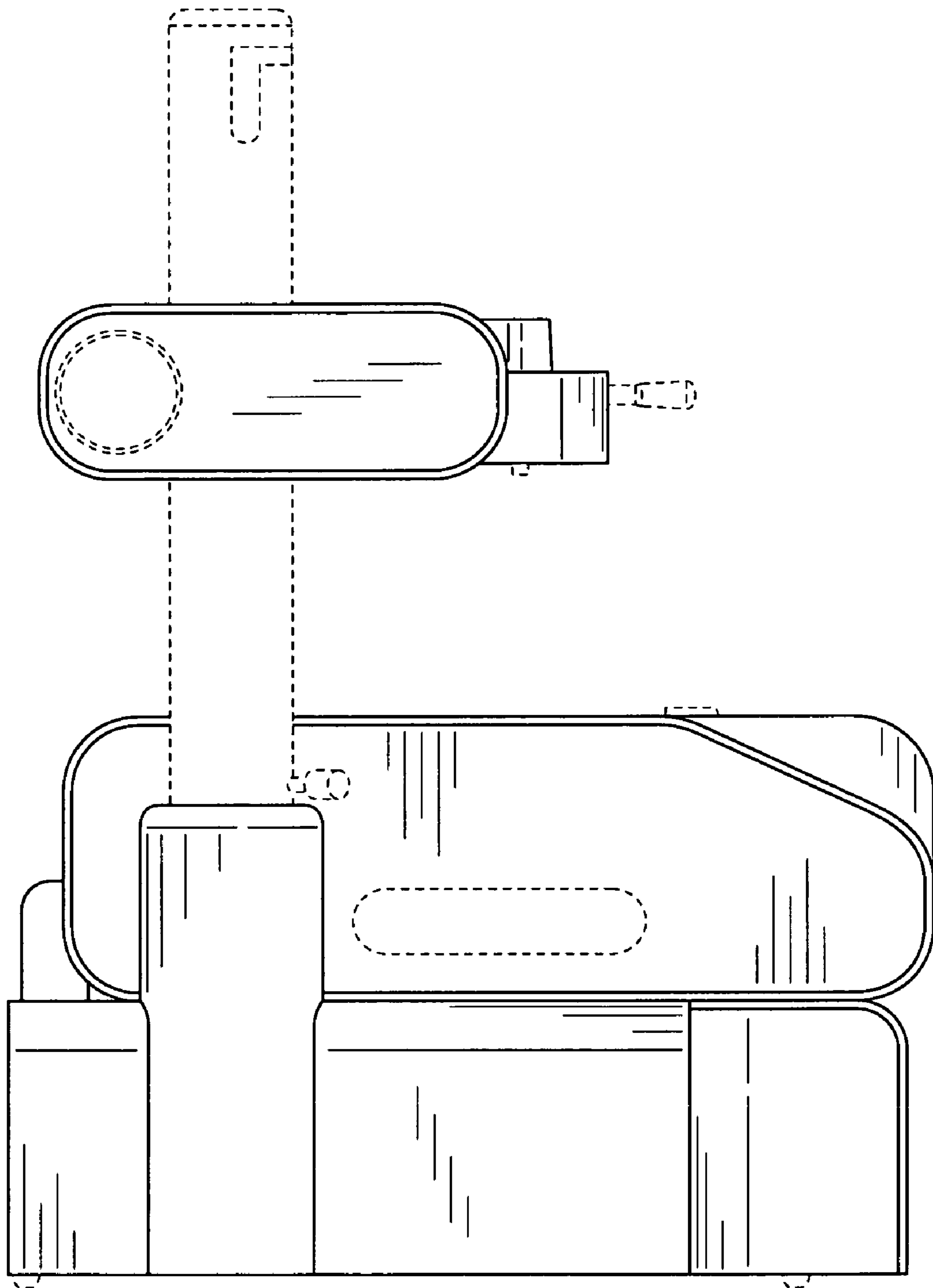


FIG. 5

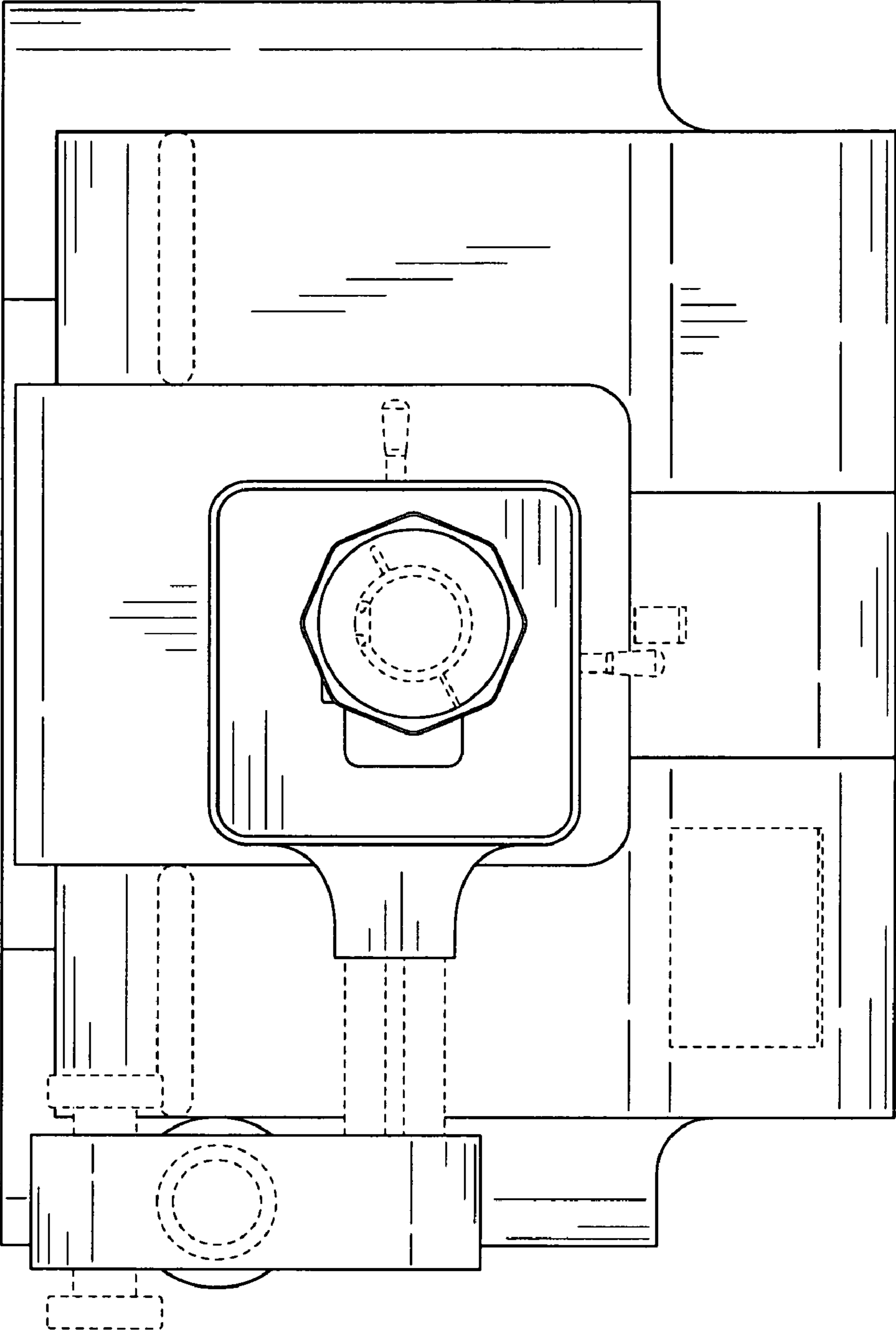


FIG. 6

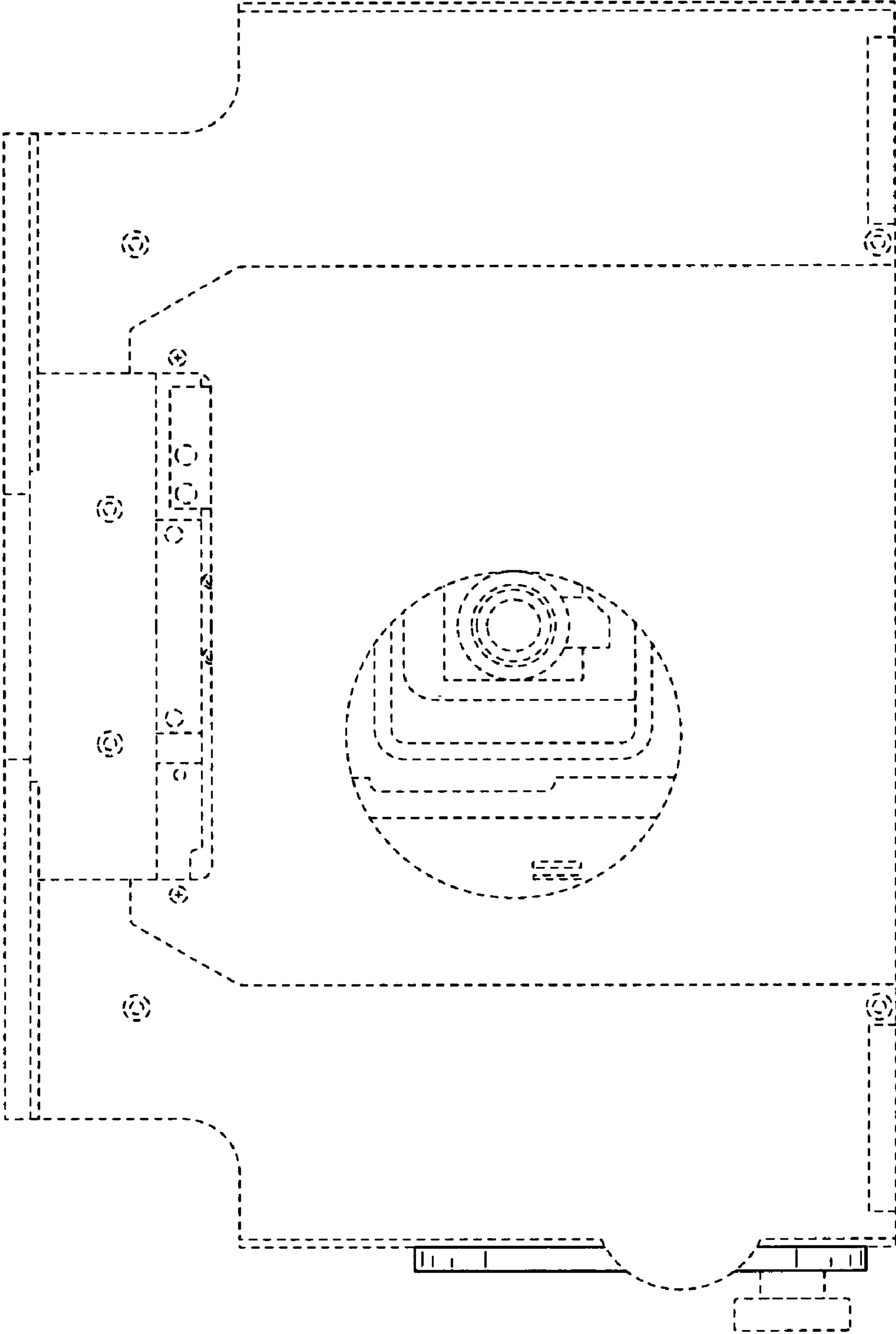


FIG. 7

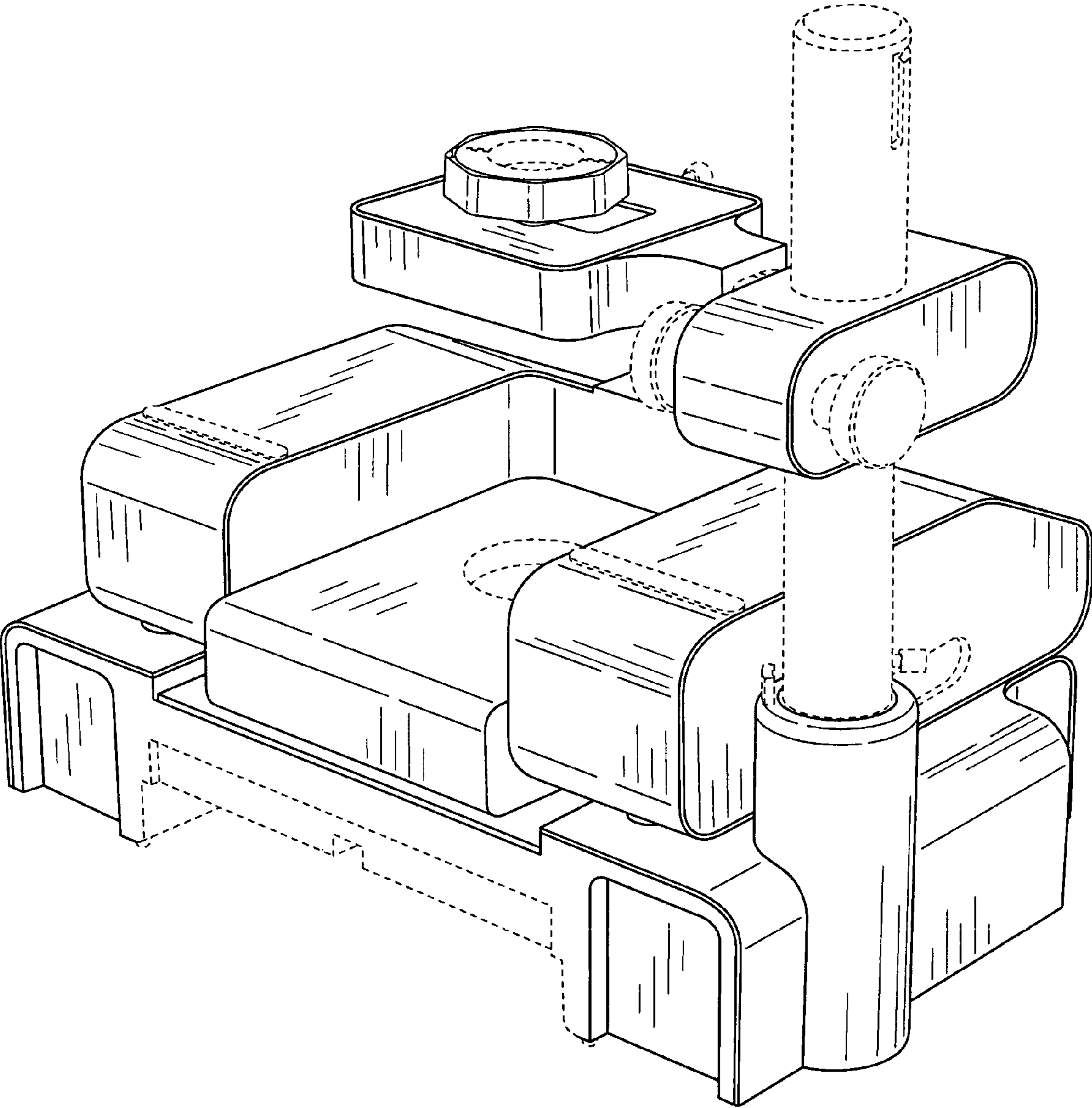


FIG. 8