



US00D630659S

(12) **United States Design Patent**
Dibbs

(10) **Patent No.:** **US D630,659 S**
(45) **Date of Patent:** **** Jan. 11, 2011**

(54) **VIBRATOR UNIT**

(75) Inventor: **Barry George Dibbs, Kent (GB)**

(73) Assignee: **Buhler Sortex Ltd, London (GB)**

(**) Term: **14 Years**

(21) Appl. No.: **29/343,593**

(22) Filed: **Sep. 16, 2009**

(30) **Foreign Application Priority Data**

Mar. 16, 2009 (GB) 4010604

(51) **LOC (9) Cl.** **15-09**

(52) **U.S. Cl.** **D15/147**

(58) **Field of Classification Search** D15/122,
D15/147, 199; D34/12, 14, 16; 24/74, 79.3;
202/124, 234; 209/13, 17, 18, 44, 131, 251,
209/269, 270, 296, 423, 424, 437, 438, 439,
209/451, 452, 458, 459, 460, 474; 264/25;
266/148, 177

See application file for complete search history.

(56) **References Cited**

U.S. PATENT DOCUMENTS

479,279 A * 7/1892 Husemann 209/423
680,176 A * 8/1901 Robertson 209/44
2,734,537 A * 2/1956 Geisler 452/135
D184,798 S * 4/1959 Brandt D15/147
3,773,174 A * 11/1973 Stimpel 209/131
D258,213 S * 2/1981 Lydford D15/147
4,320,987 A * 3/1982 Rowe et al. 404/115

4,339,043 A * 7/1982 Tice et al. 209/44
D360,888 S * 8/1995 Timm D15/147
5,492,432 A * 2/1996 Eben et al. 404/115
5,988,939 A * 11/1999 Allen et al. 404/116
6,234,713 B1 * 5/2001 Rowe et al. 404/116
2010/0193406 A1 * 8/2010 Alderson et al. 209/44

* cited by examiner

Primary Examiner—Patricia Palasik

(74) *Attorney, Agent, or Firm*—Renner, Otto, Boisselle & Sklar, LLP

(57) **CLAIM**

The ornamental design for a vibrator unit, as shown and described.

DESCRIPTION

FIG. 1 is a front perspective view of a vibrator unit showing my new design.

FIG. 2 is a rear perspective view of the vibrator unit, opposite that of FIG. 1.

FIG. 3 is a right side view of the vibrator unit.

FIG. 4 is a left side view of the vibrator unit.

FIG. 5 is a front view of the vibrator unit.

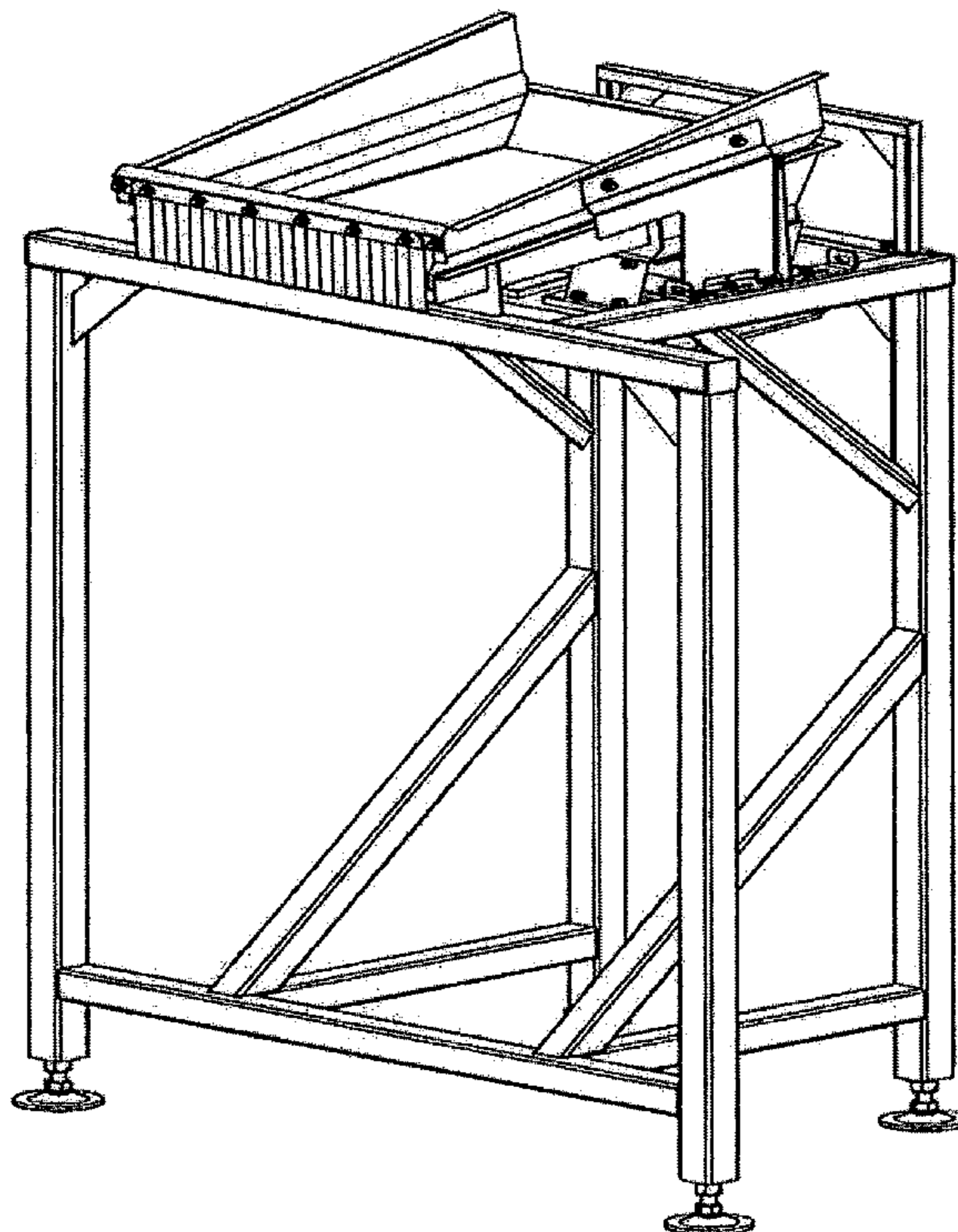
FIG. 6 is a rear view of the vibrator unit.

FIG. 7 is a top plan view of the vibrator unit; and,

FIG. 8 is a bottom plan view of the vibrator unit.

The broken lines in the drawings depict unclaimed environmental subject matter.

1 Claim, 8 Drawing Sheets



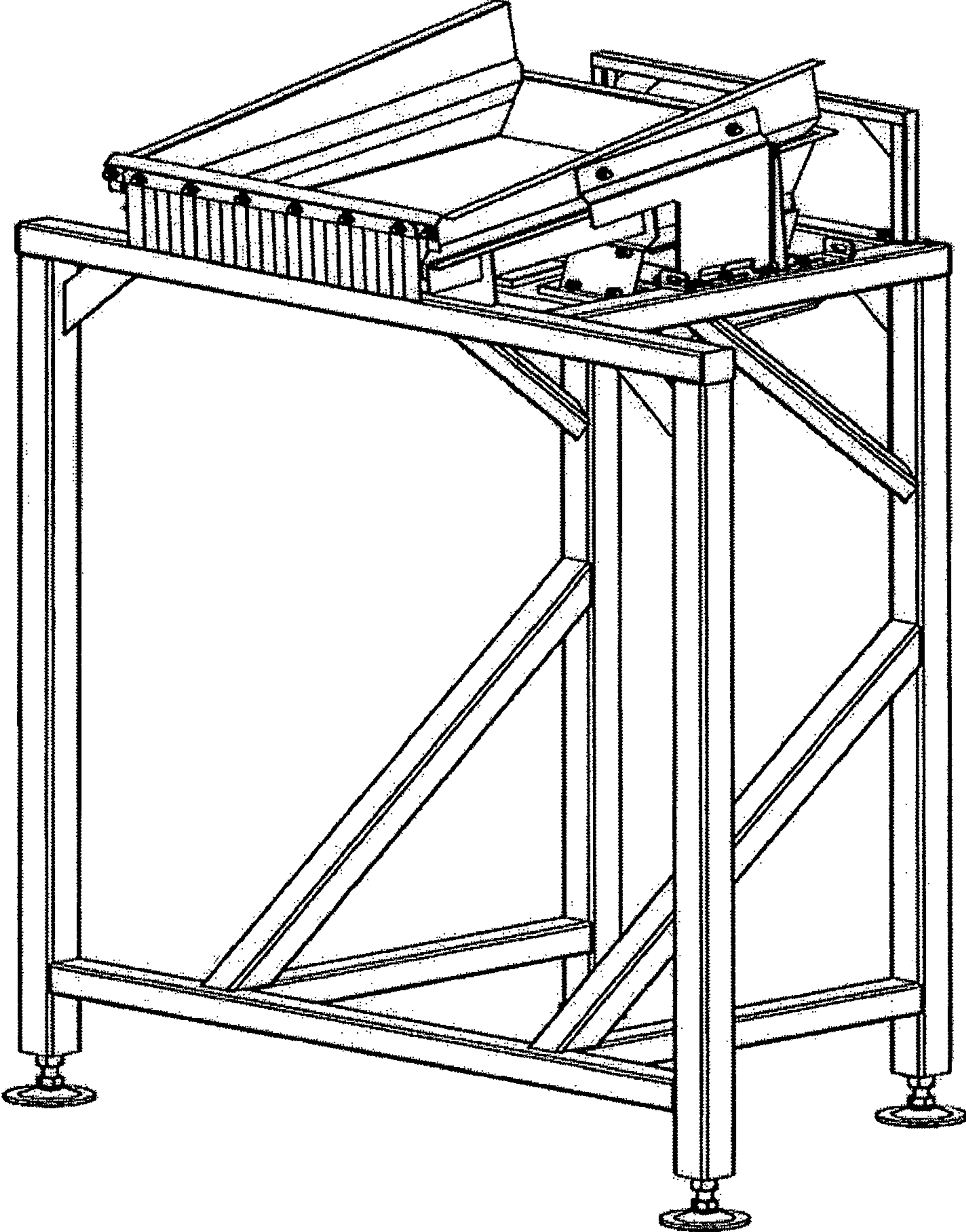


Fig. 1

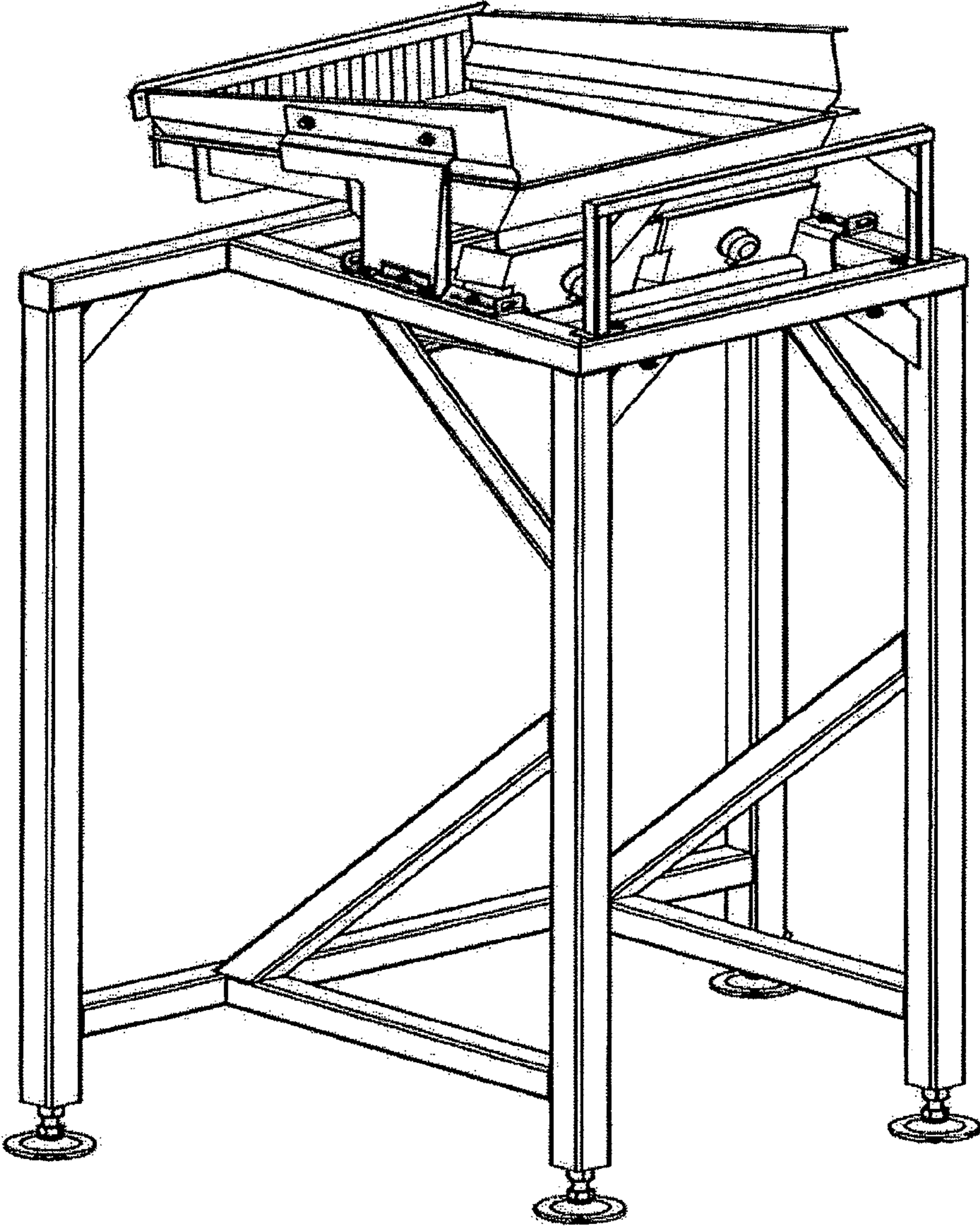


Fig. 2

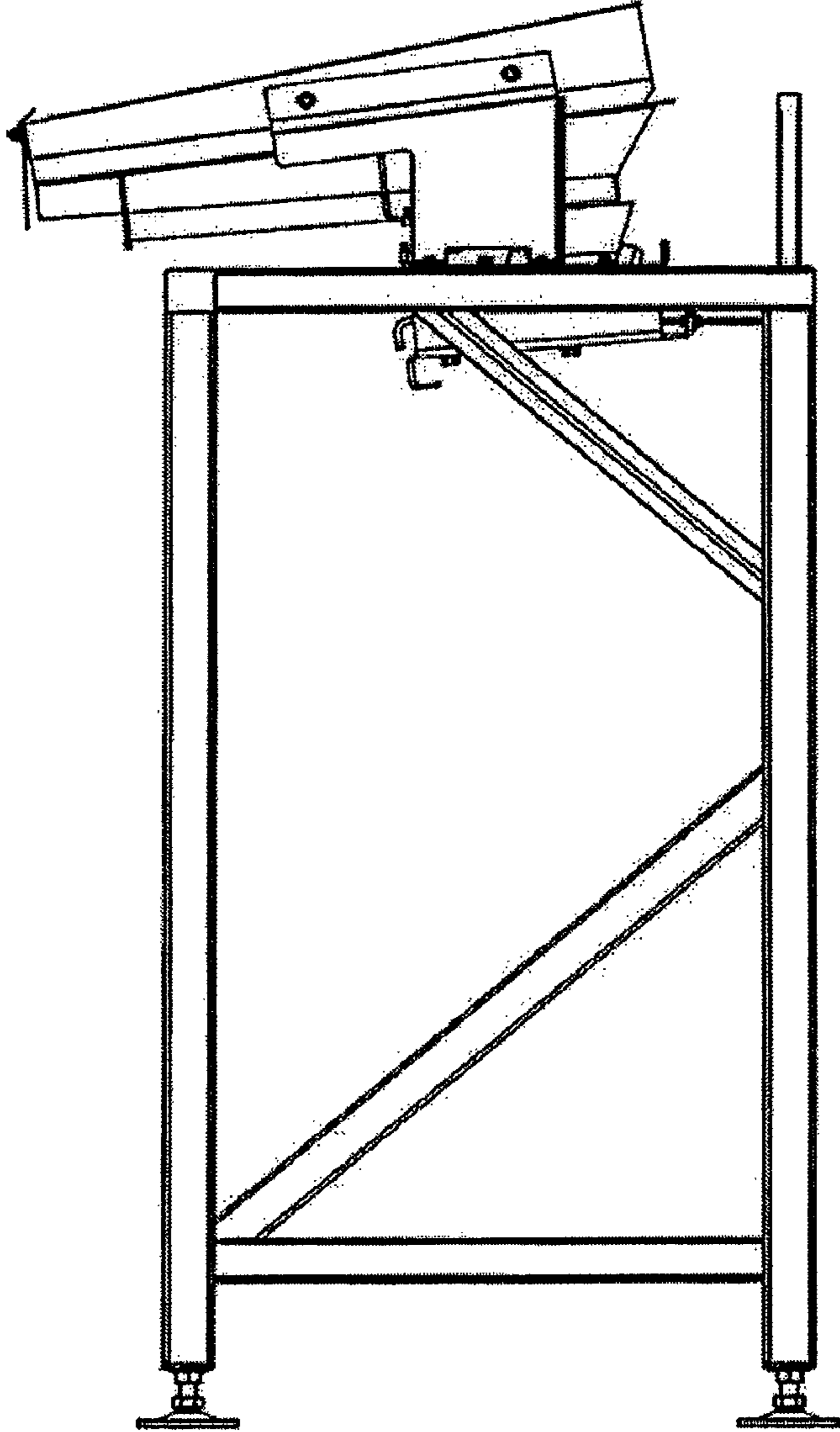


Fig. 3

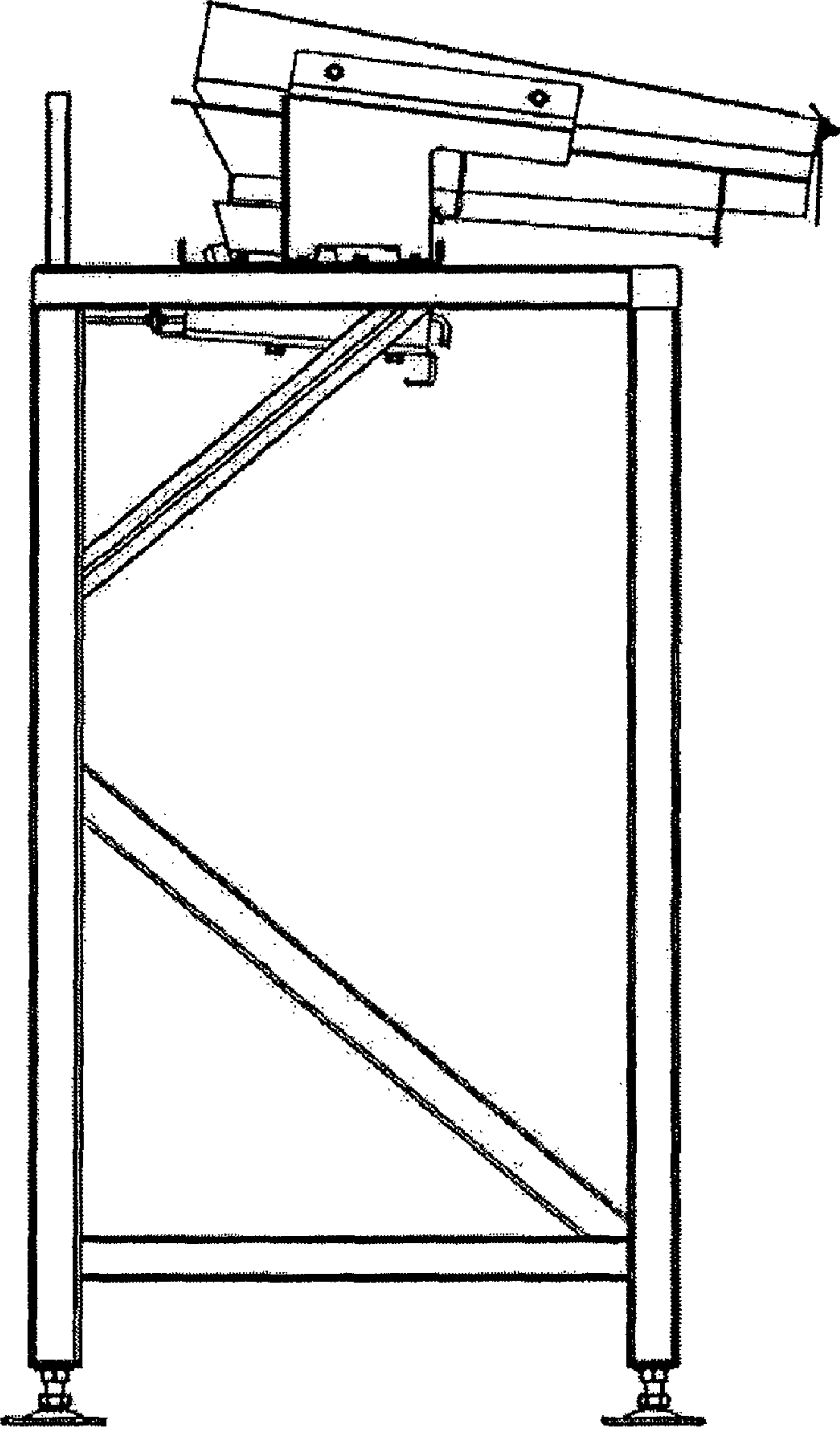


Fig. 4

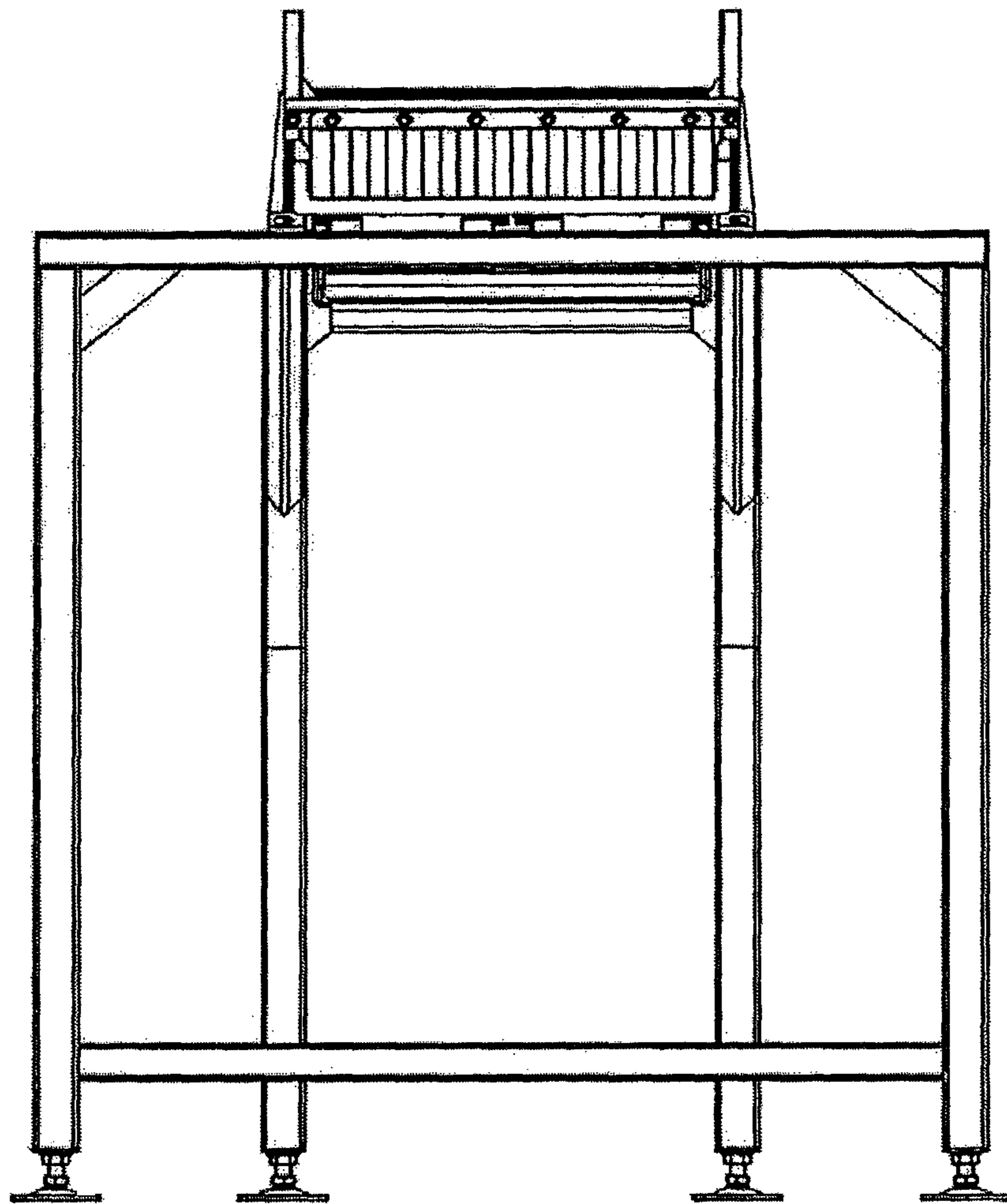


Fig. 5

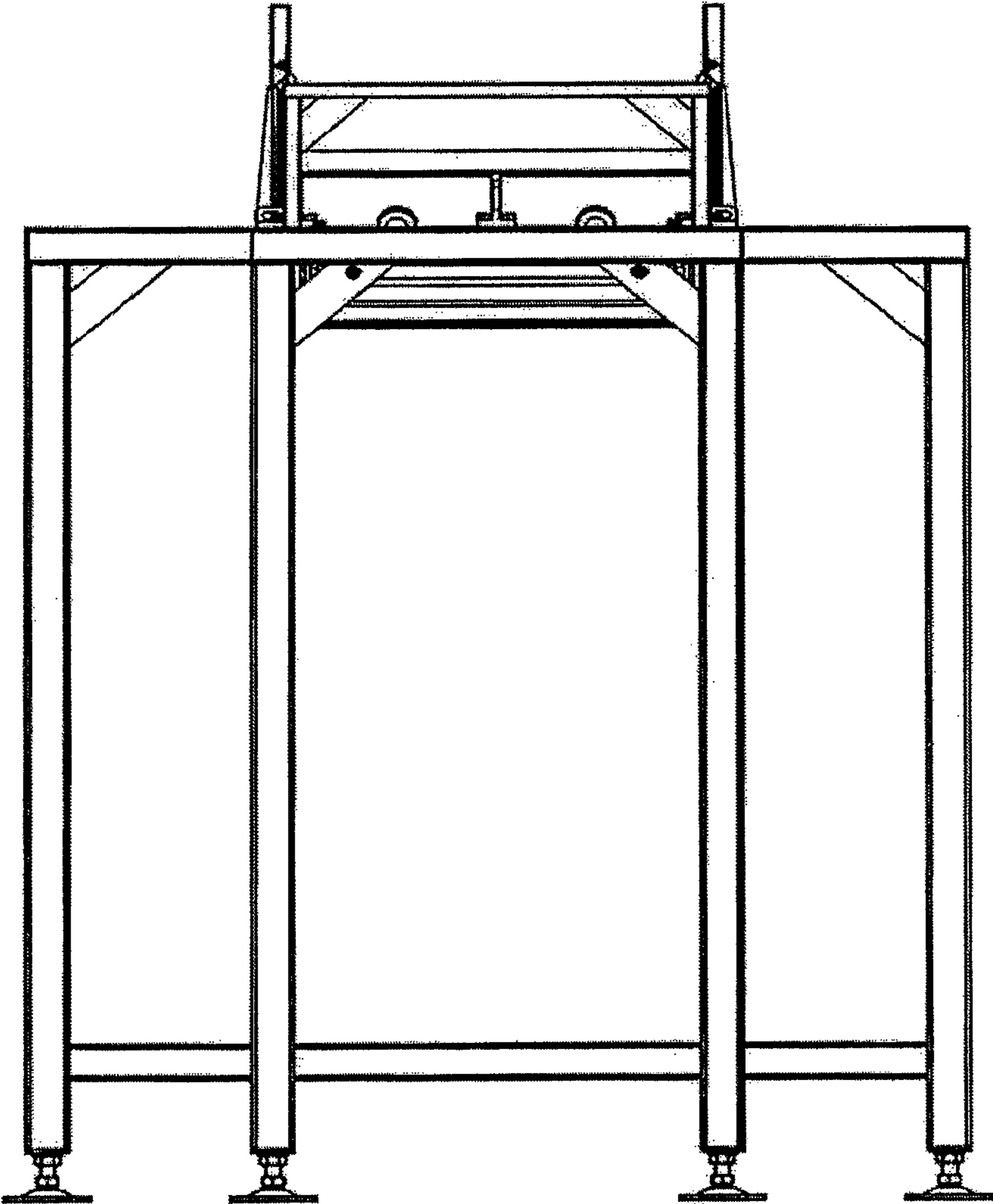


Fig. 6

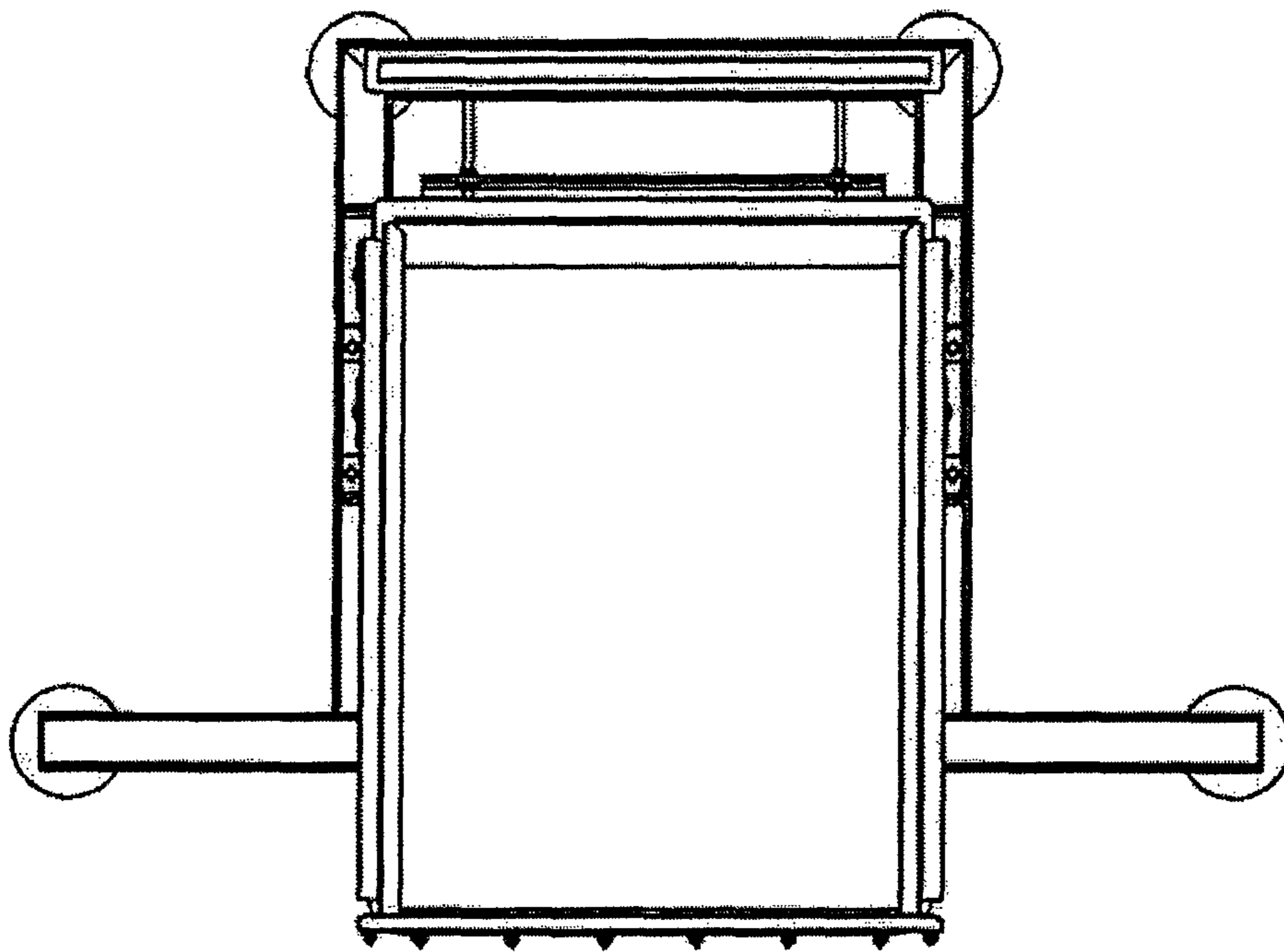


Fig. 7

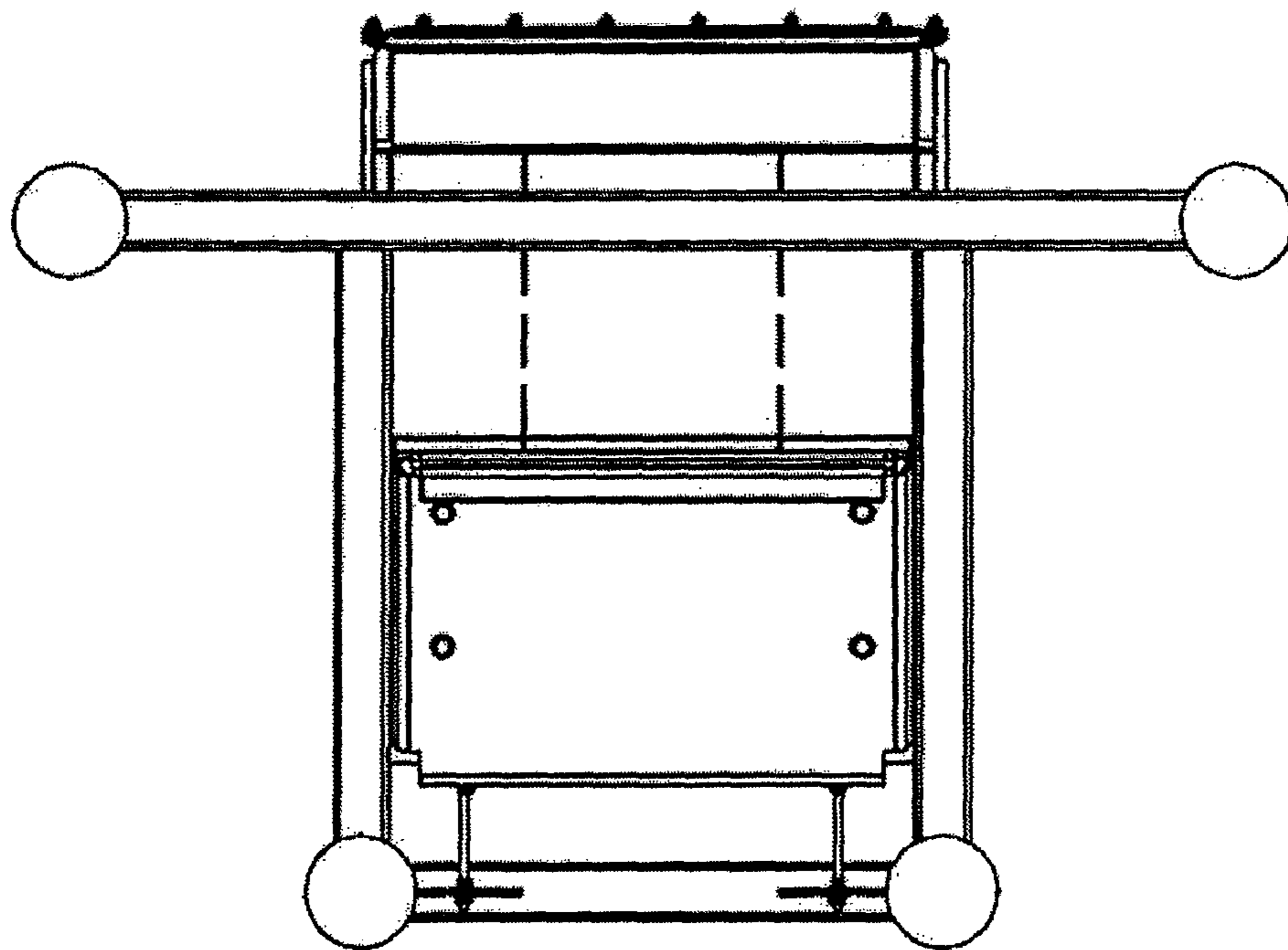


Fig. 8