



US00D630658S

(12) **United States Design Patent**
Sims

(10) **Patent No.:** **US D630,658 S**
(45) **Date of Patent:** **** Jan. 11, 2011**

(54) **WIRE TRACK COVER FOR WIRE TIER**

D487,655 S * 3/2004 Varsi D6/484
D488,822 S * 4/2004 Shibazaki et al. D15/145
D489,200 S * 5/2004 Antonioni D6/484

(75) Inventor: **Junius Pickett Sims**, Spring, TX (US)

(73) Assignee: **Accent Packaging Inc.**, Tomball, TX (US)

(Continued)

(**) Term: **14 Years**

Primary Examiner—Patricia Palasik
(74) *Attorney, Agent, or Firm*—Hovey Williams LLP

(21) Appl. No.: **29/358,086**

(57) **CLAIM**

(22) Filed: **Mar. 22, 2010**

The ornamental design for a wire track cover for a wire tier, as shown and described.

(51) **LOC (9) Cl.** **15-99**

(52) **U.S. Cl.** **D15/145**

(58) **Field of Classification Search** D6/400,
D6/422, 474, 480–489; D15/133, 134, 141,
D15/145, 146; 53/399, 582, 589; 100/3,
100/4, 24, 26, 29; 156/361, 499, 502
See application file for complete search history.

DESCRIPTION

FIG. 1 is a perspective view of a wire track cover for a wire tier embodying my design, with the wire tier being shown in broken lines for environmental purposes only and forming no part of the claimed design;

(56) **References Cited**

U.S. PATENT DOCUMENTS

D166,166 S *	3/1952	Knapp	D15/145
D187,556 S *	3/1960	Perdue	D15/145
2,972,506 A *	2/1961	Haag	108/64
D192,752 S *	5/1962	Aul	D15/145
D210,244 S *	2/1968	Brown	D15/145
D220,001 S *	2/1971	Mills	D15/145
D220,704 S *	5/1971	Kramer	D6/484
3,580,652 A *	5/1971	Nielsen	312/208.1
D242,102 S *	11/1976	Stirling	D6/484
D257,848 S *	1/1981	Handler et al.	D15/133
4,341,164 A *	7/1982	Johnson	108/67
D269,787 S *	7/1983	Cramer	D15/145
D295,525 S *	5/1988	Sakaki et al.	D15/145
D308,977 S *	7/1990	Sakaki	D15/145
D362,136 S *	9/1995	Chang	D6/474
D376,375 S *	12/1996	Sakaki	D15/141
D388,025 S *	12/1997	Sauer	D12/111
D424,078 S *	5/2000	Chin-Chang et al.	D15/145
6,568,159 B2 *	5/2003	Kawai et al.	53/589

FIG. 2 is a perspective view of the wire track cover similar to FIG. 1, but with the wire tier being removed;

FIG. 3 is a front elevation view of the wire track cover as depicted in FIG. 2;

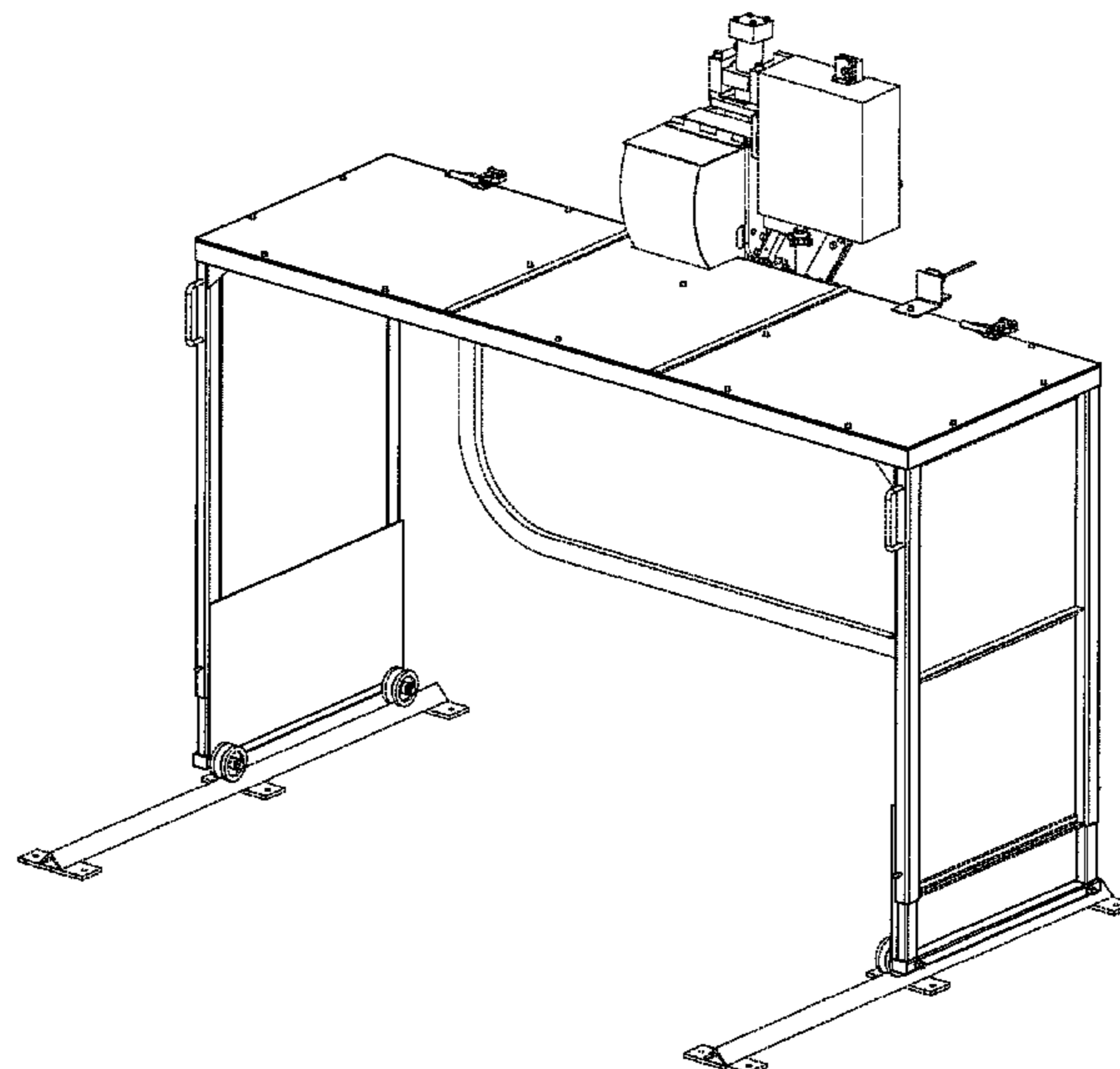
FIG. 4 is a side elevation view of the wire track cover as shown in FIGS. 2 and 3, with the opposite side elevation view being a mirror image thereof;

FIG. 5 is a rear elevation view of the wire track cover as depicted in FIGS. 2-4; and,

FIG. 6 is a top elevation view of the wire track cover as depicted in FIGS. 2-5.

The broken lines showing certain components of the framework for the cover, the slide rails and wheels for moveably supporting the cover, the handles, various fasteners, the safety switch, the hand-operated locks, and the cut-out for accommodating the knotted cover of the tier are for environmental purposes only and form no part of the claimed design.

1 Claim, 6 Drawing Sheets



US D630,658 S

Page 2

U.S. PATENT DOCUMENTS

6,783,563	B1 *	8/2004	Eckhoff et al.	55/356	D590,185	S *	4/2009	Karashima	D6/484
D503,570	S *	4/2005	Anderson et al.	D6/480	D611,734	S *	3/2010	Stukenberg et al.	D6/484
6,994,019	B1 *	2/2006	Liu et al.	100/26	D614,889	S *	5/2010	Van Duysen	D6/484
D525,806	S *	8/2006	Lai	D6/430	2001/0029725	A1 *	10/2001	Suolahti	53/589
7,454,877	B2 *	11/2008	Morrison	53/64	2007/0256575	A1 *	11/2007	Kirar et al.	100/26

* cited by examiner

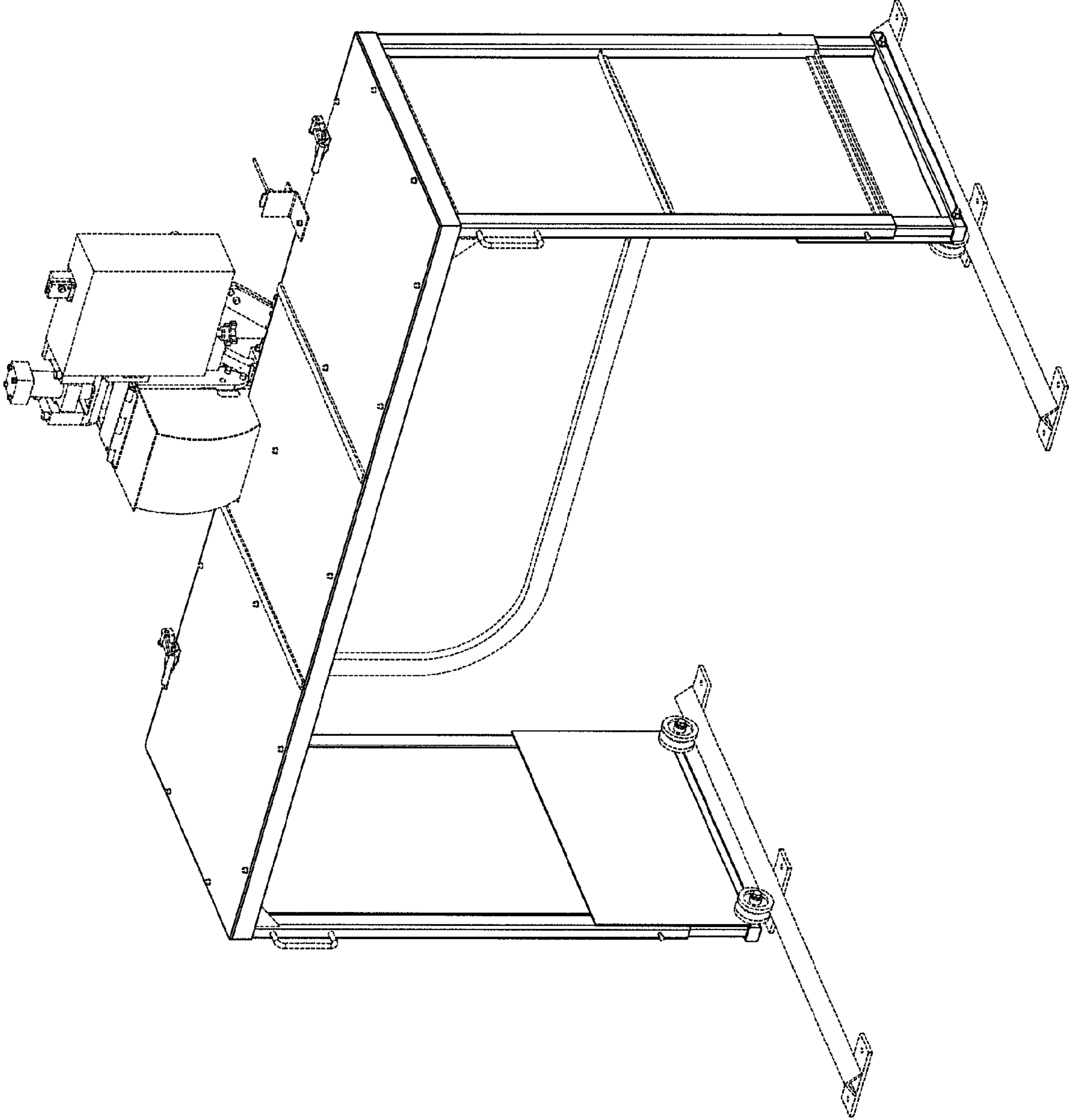


Fig. 1.

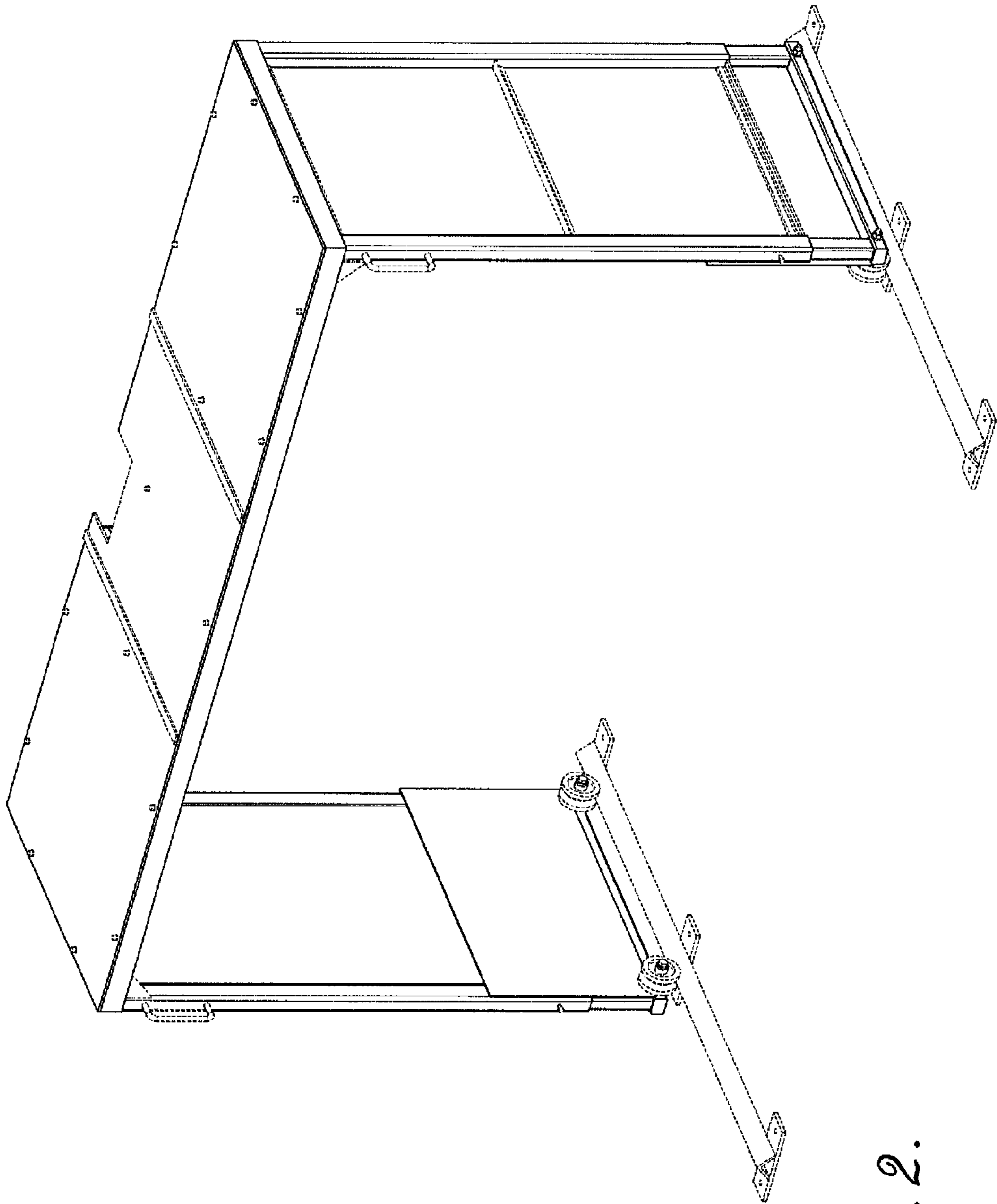


Fig. 2.

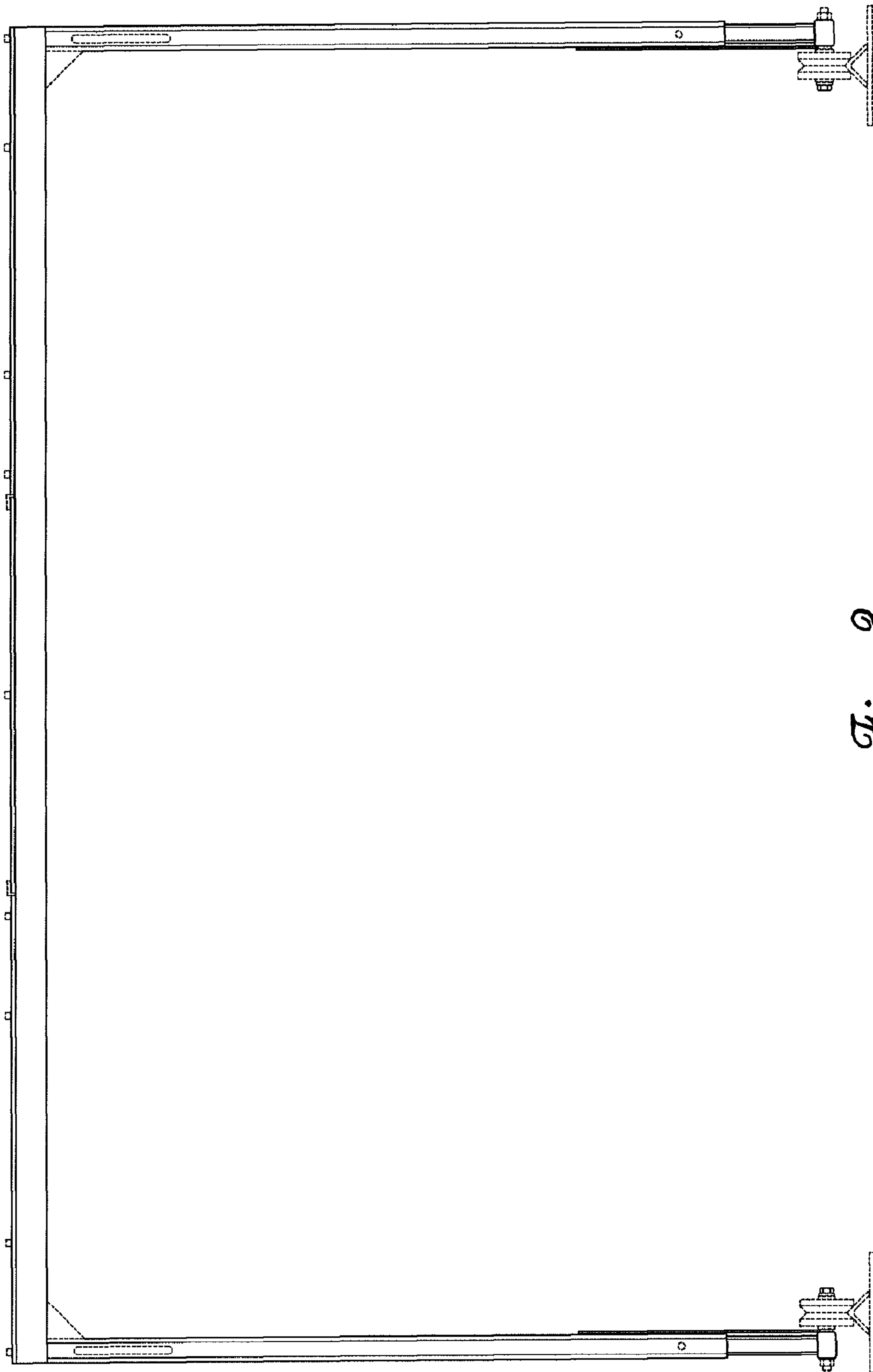


Fig. 3.

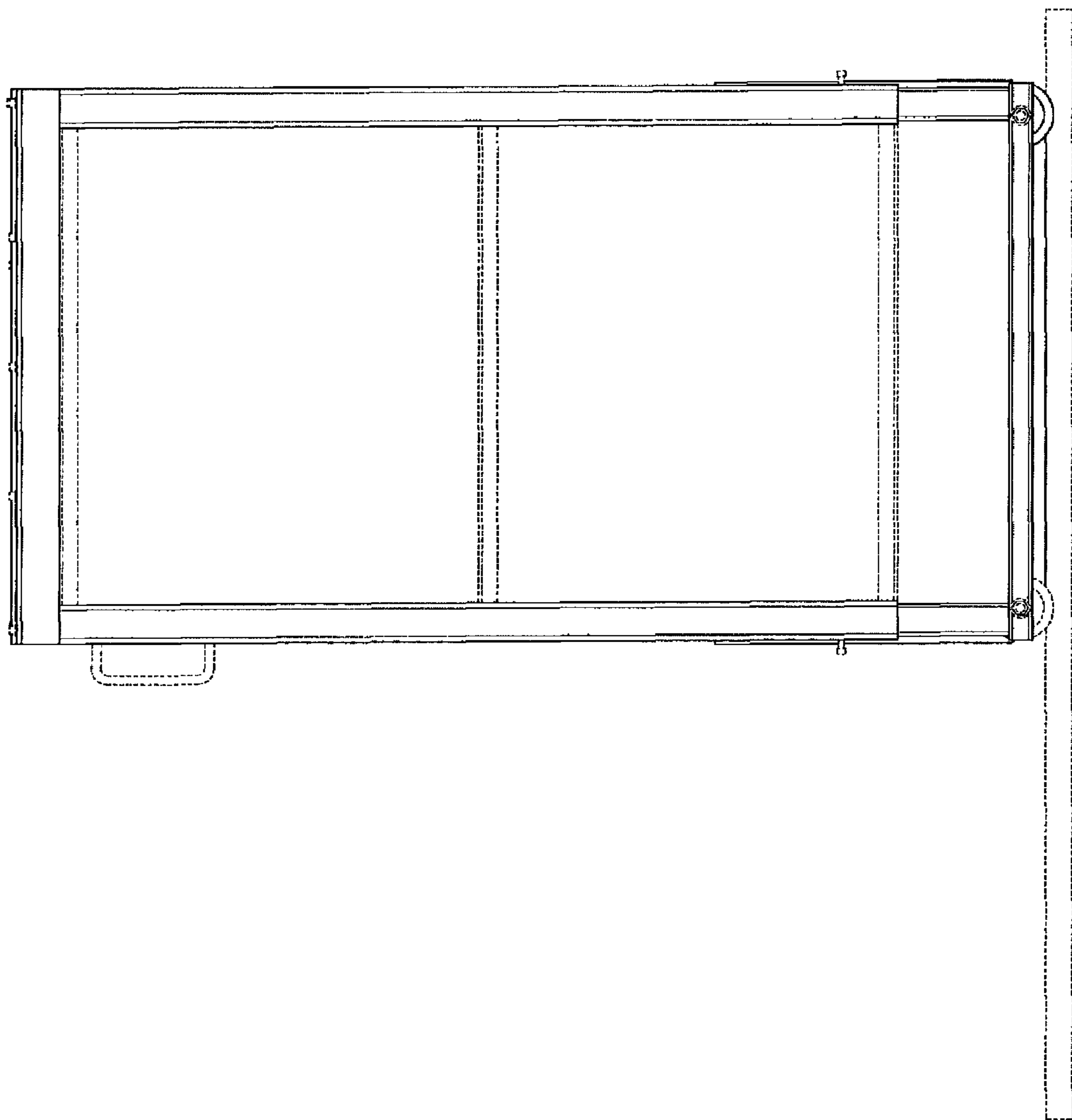


Fig. 4.

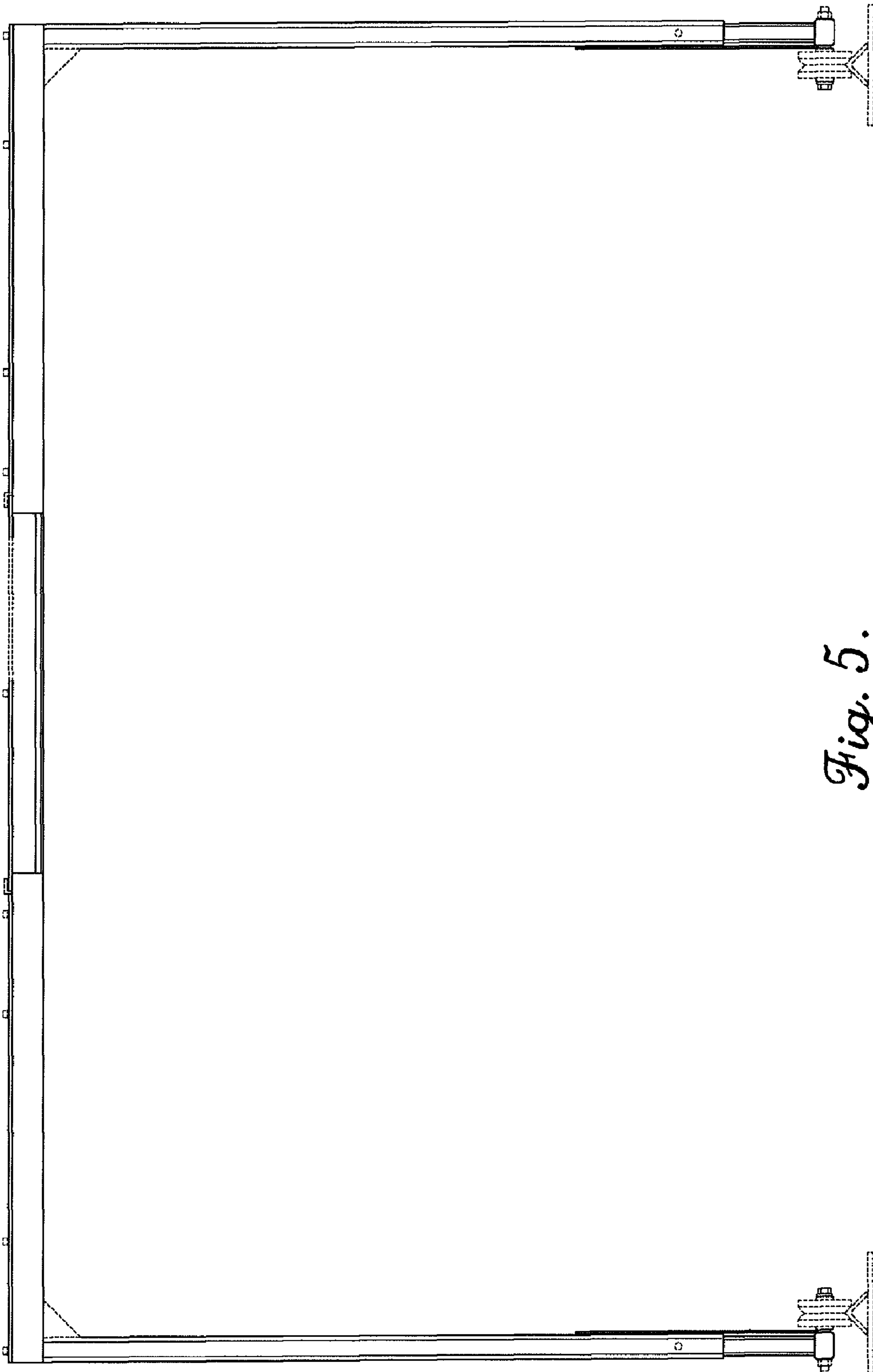


Fig. 5.

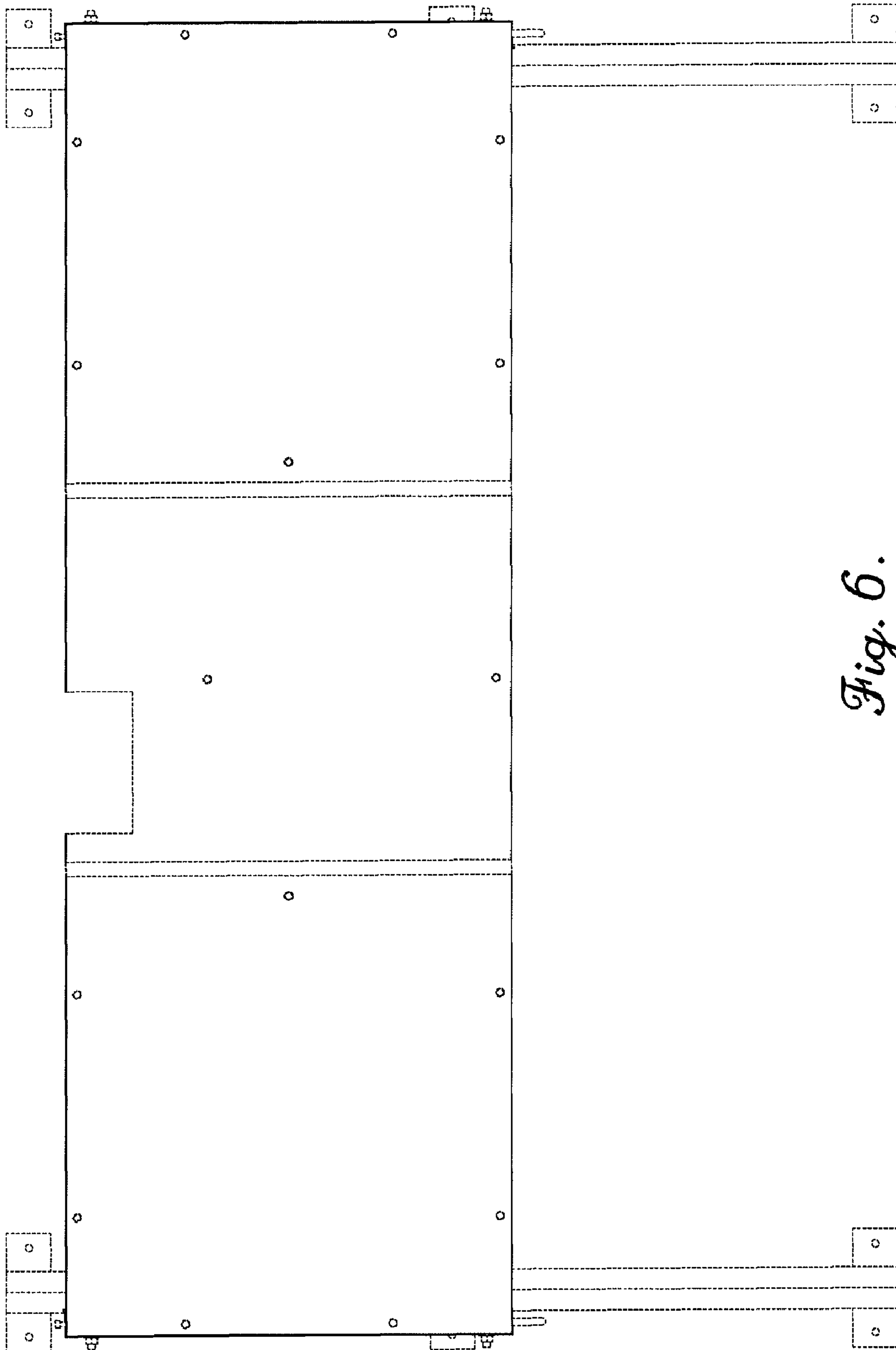


Fig. 6.