



US00D630657S

(12) **United States Design Patent**
Nakamura

(10) **Patent No.:** **US D630,657 S**
(45) **Date of Patent:** **** Jan. 11, 2011**

(54) **SHAFT PORTION OF AN APPARATUS FOR HOLDING AND HEATING SEMICONDUCTOR WAFERS OR THE LIKE**

D547,896 S * 7/2007 Yifei D26/63

(75) Inventor: **Taichi Nakamura**, Nagoya (JP)

(Continued)

(73) Assignee: **NGK Insulators, Ltd.**, Nagoya-Shi (JP)

FOREIGN PATENT DOCUMENTS

(**) Term: **14 Years**

JP D1345656 10/2008

(21) Appl. No.: **29/323,534**

(22) Filed: **Aug. 27, 2008**

(Continued)

(30) **Foreign Application Priority Data**

Primary Examiner—Patricia Palasik

Feb. 29, 2008 (JP) 2008-004937

(74) *Attorney, Agent, or Firm*—Burr & Brown

(51) **LOC (9) Cl.** **15-09**

(57) **CLAIM**

(52) **U.S. Cl.** **D15/144.1**

(58) **Field of Classification Search** D15/138,
D15/140, 144.1, 199; D26/51–63; 438/584,
438/689, 692; 451/288, 289, 388

The ornamental design for a shaft portion of an apparatus for holding and heating semiconductor wafers or the like, as shown and described.

See application file for complete search history.

(56) **References Cited**

DESCRIPTION

U.S. PATENT DOCUMENTS

- 645,199 A * 3/1900 Brooks 248/97
- D71,201 S * 10/1926 Neuwirth D15/144.1
- 3,044,624 A * 7/1962 Parks 209/412
- D193,891 S * 10/1962 Liptay D15/144.1
- D205,678 S * 9/1966 Williams D7/700
- D215,093 S * 9/1969 Cone D15/144.1
- 5,615,429 A * 4/1997 Williams 5/509.1
- D387,524 S * 12/1997 Allen et al. D32/35
- 5,762,120 A * 6/1998 Smith 141/340
- D415,552 S * 10/1999 Malorni D23/200
- D422,189 S * 4/2000 Parsons D8/99
- D452,761 S * 1/2002 Swift D1/105
- D474,270 S * 5/2003 Anderson D24/110
- D481,109 S * 10/2003 Dole et al. D23/263
- D481,447 S * 10/2003 Dole et al. D23/263
- D513,549 S * 1/2006 Schuster D34/1
- D535,422 S * 1/2007 Mier-Langner et al. D26/63
- 7,200,877 B2 * 4/2007 Peng 4/325
- D547,894 S * 7/2007 Hu D26/63

FIG. 1 is a perspective view of a shaft portion of an apparatus for holding and heating semiconductor wafers or the like;

FIG. 2 is a front view thereof, a rear view being the same image of a front view;

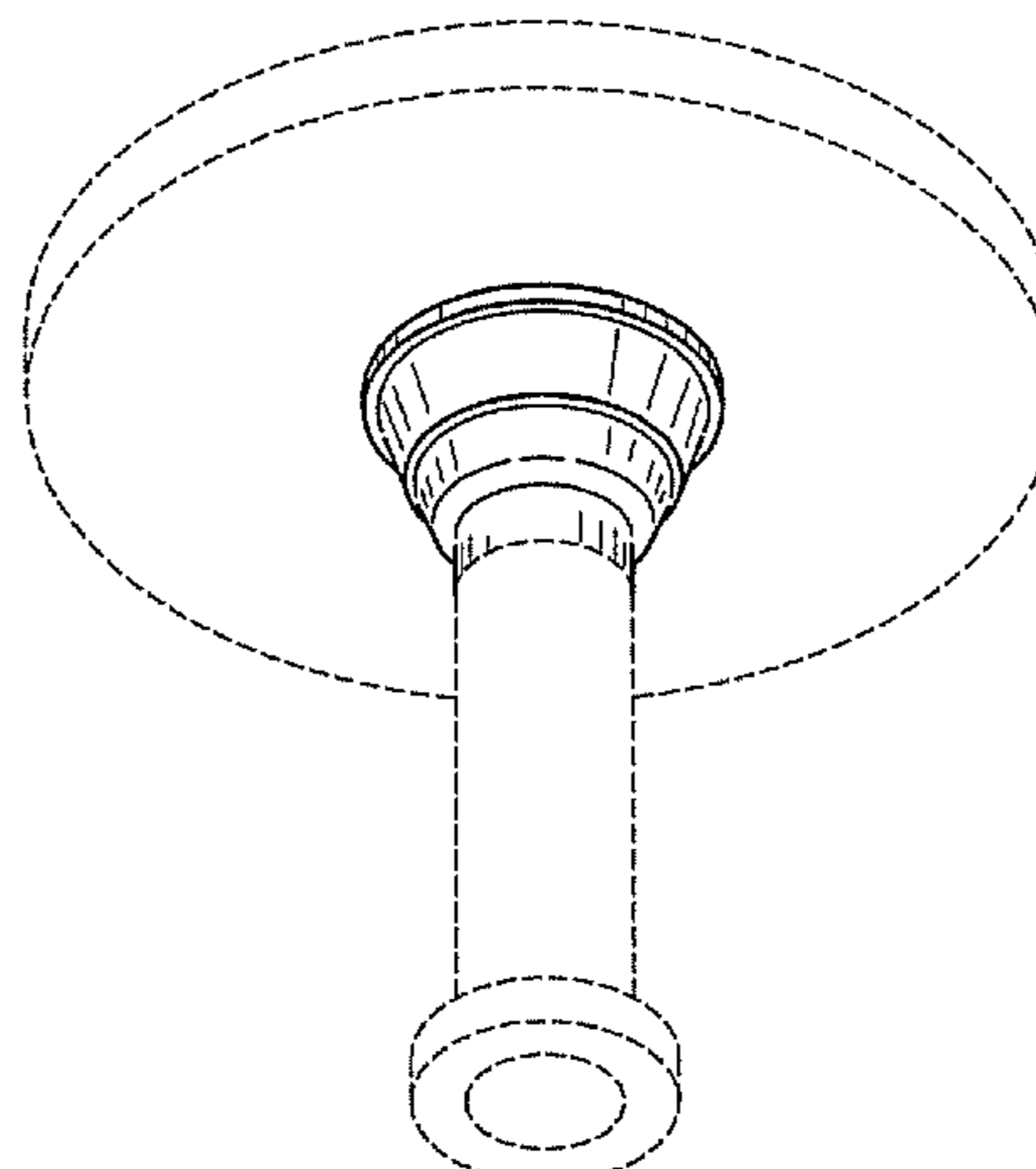
FIG. 3 is a right side view thereof, a left side view being the same image of a right side view;

FIG. 4 is a bottom plan view thereof; and,

FIG. 5 is a sectional view taken vertically at the center of the portion shown by 5—5 in FIG. 2.

The broken lines showing on the drawing disclosure are for illustrative purposes only and form no part of the claimed design. The lines consisting of long lines and dots indicate conceptual border lines between the claimed portions and the disclaimed portions.

1 Claim, 3 Drawing Sheets



US D630,657 S

Page 2

U.S. PATENT DOCUMENTS

D557,438 S * 12/2007 Hsu D26/83
7,318,454 B2 * 1/2008 Dupoiron 138/135
D564,120 S * 3/2008 Layne et al. D26/63
D567,429 S * 4/2008 Pickett D26/89
D589,764 S * 4/2009 Randolph D7/700
D616,394 S * 5/2010 Sato D13/182
D616,395 S * 5/2010 Sato D13/182
2001/0054381 A1 * 12/2001 Umotoy et al. 118/715

2003/0019428 A1 * 1/2003 Ku et al. 118/715
2003/0075639 A1 * 4/2003 Kotzur et al. 242/615.3
2005/0029820 A1 * 2/2005 Mannella 292/256

FOREIGN PATENT DOCUMENTS

TW M298774 10/2006
TW D118408 8/2007

* cited by examiner

Fig.1

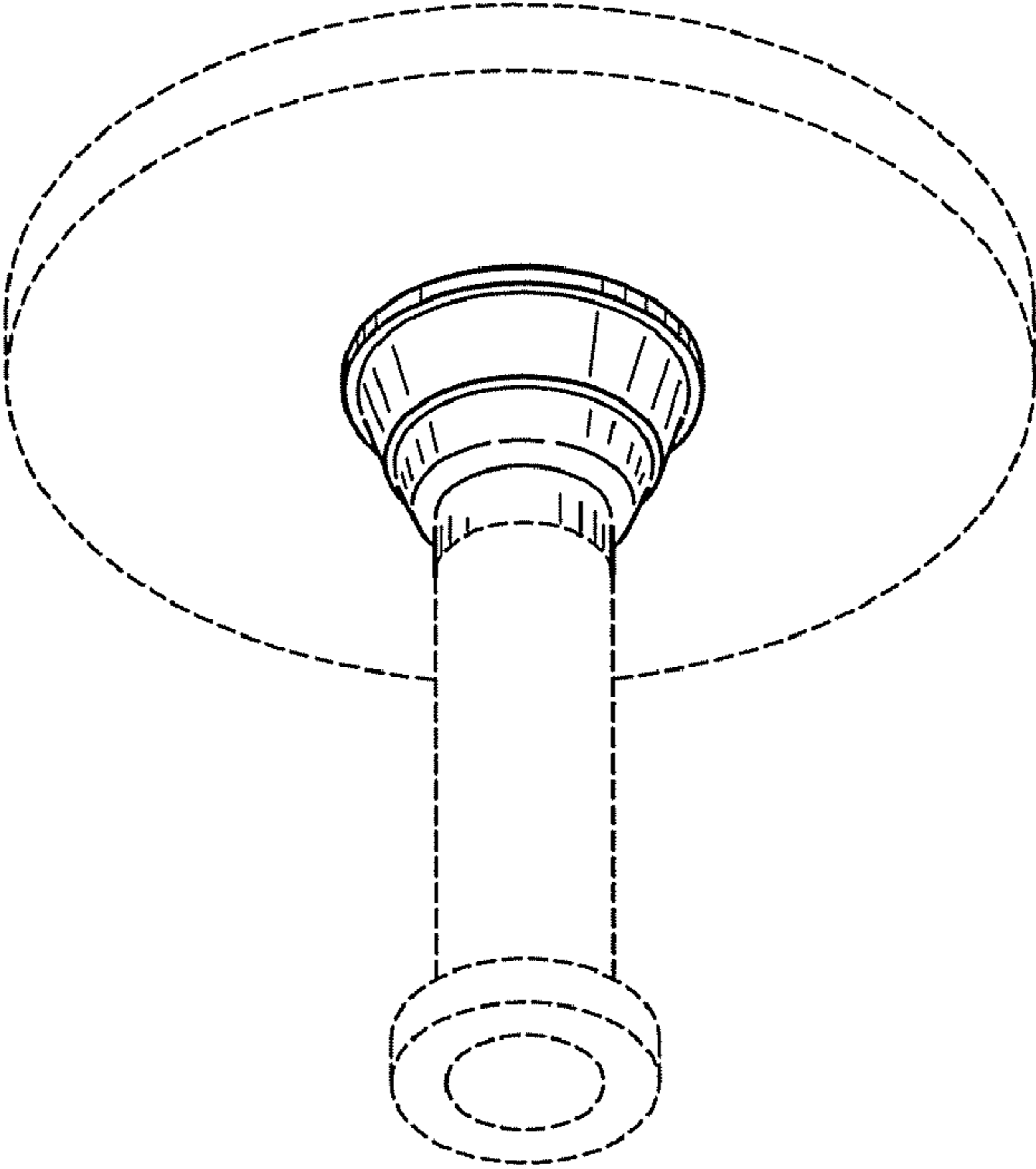


Fig.2

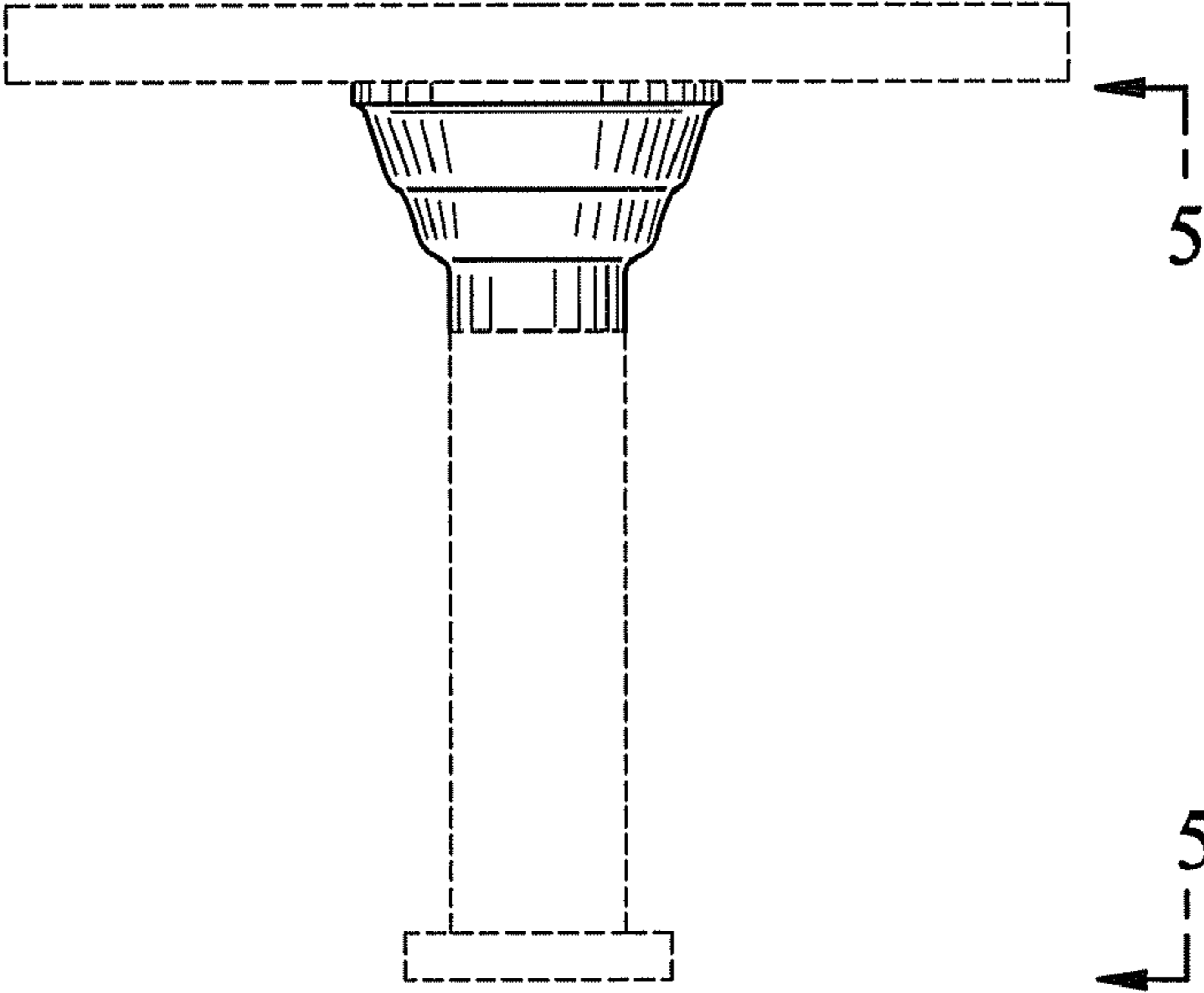


Fig. 3

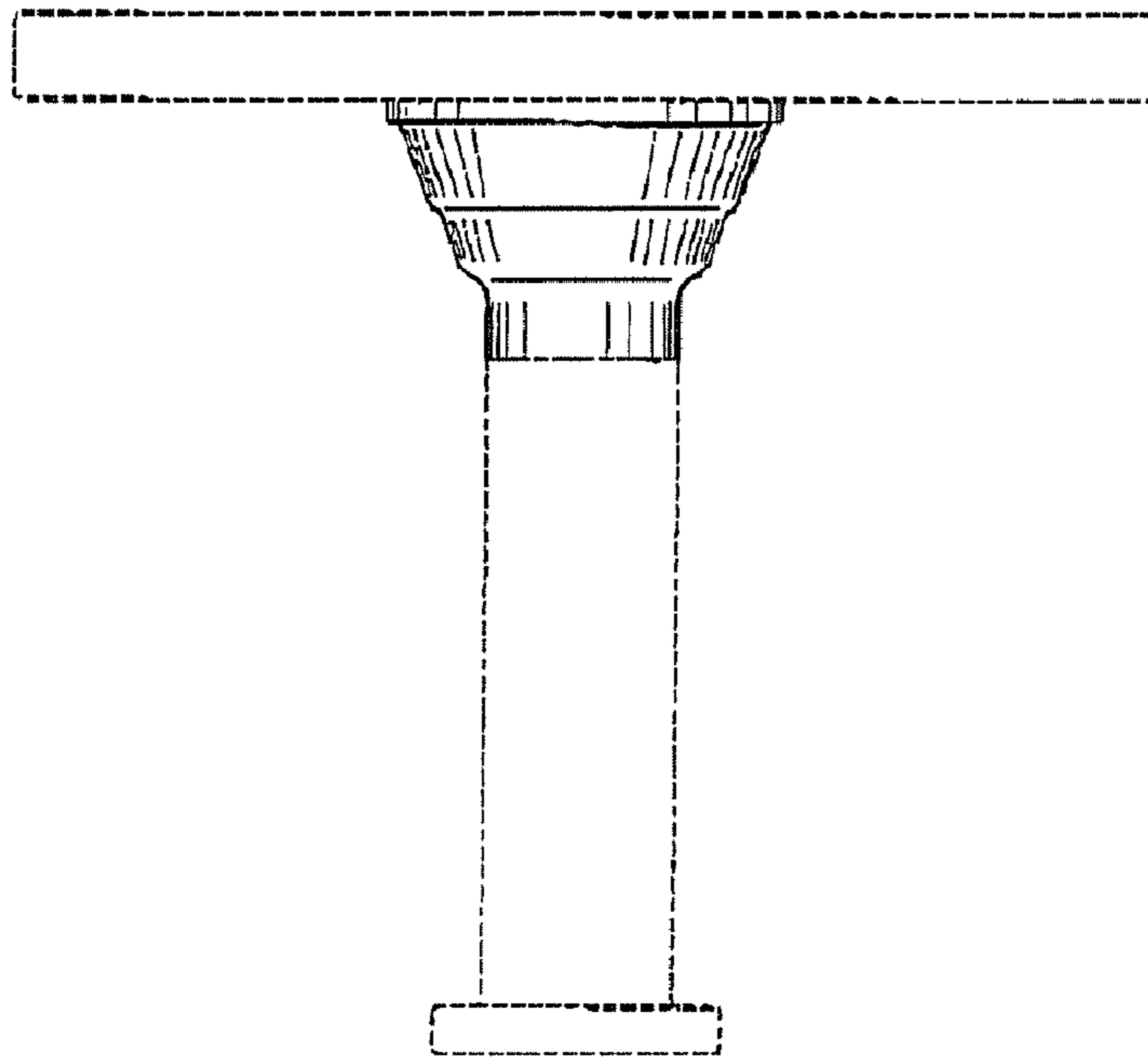


Fig. 4

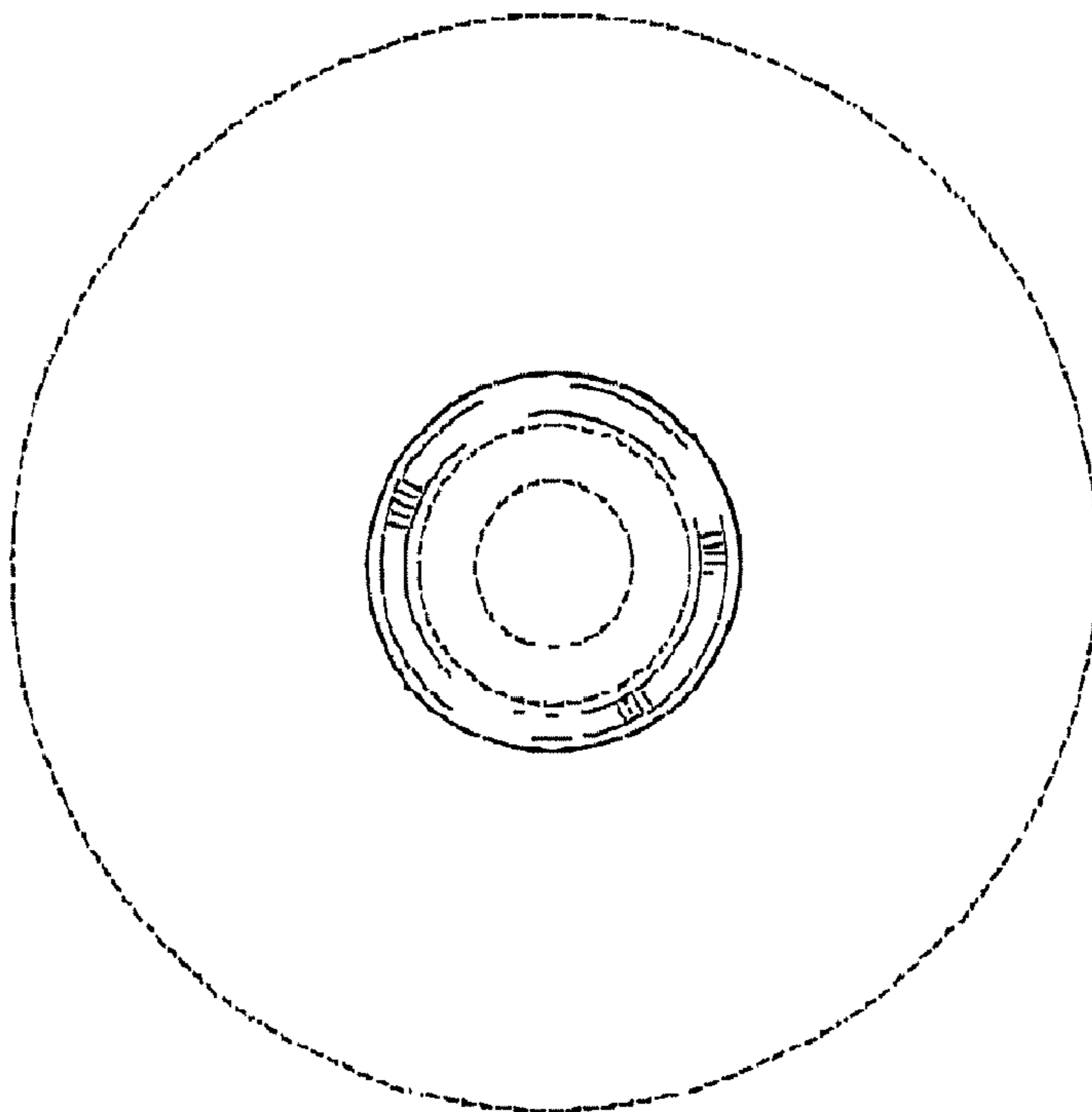


Fig.5

