



US00D630651S

(12) **United States Design Patent**
Bobby et al.

(10) **Patent No.:** **US D630,651 S**
(45) **Date of Patent:** **** Jan. 11, 2011**

(54) **PORT**

6,701,709 B2 3/2004 Issac, Jr. et al.
6,730,143 B1 5/2004 Nichols et al.

(75) Inventors: **Brian Bobby**, North Ridgeville, OH (US); **Travis G. Ramler**, Elyria, OH (US)

(Continued)

FOREIGN PATENT DOCUMENTS

(73) Assignee: **Bendix Commercial Vehicle Systems LLC**, Elyria, OH (US)

EP 214373 A1 3/1987

(Continued)

(**) Term: **14 Years**

OTHER PUBLICATIONS

(21) Appl. No.: **29/361,322**

Bendix Service Data SD-03-824, Bendix TC-7 Trailer Control Brake Valve, 4 pages, Mar. 2004, printed USA.

(Continued)

(22) Filed: **May 10, 2010**

Primary Examiner—Lisa P Lichtenstein

Related U.S. Application Data

(74) *Attorney, Agent, or Firm*—Calfee, Halter & Griswold LLP

(63) Continuation of application No. 29/336,001, filed on Apr. 27, 2009, now Pat. No. Des. 622,735, which is a continuation of application No. 29/257,626, filed on Apr. 7, 2006, now Pat. No. Des. 591,309.

(57) **CLAIM**

We claim the ornamental design for a port, as shown and described.

(51) **LOC (9) Cl.** **15-01**

DESCRIPTION

(52) **U.S. Cl.** **D15/5**

FIG. 1 is a perspective view of a port in one embodiment of the new design;

(58) **Field of Classification Search** D15/1,

D15/3, 5; D23/233, 245; 137/597, 596.13

FIG. 2 is a front view of the port of FIG. 1;

See application file for complete search history.

FIG. 3 is a left side view of the port of FIG. 1, the right side being a mirror image;

(56) **References Cited**

U.S. PATENT DOCUMENTS

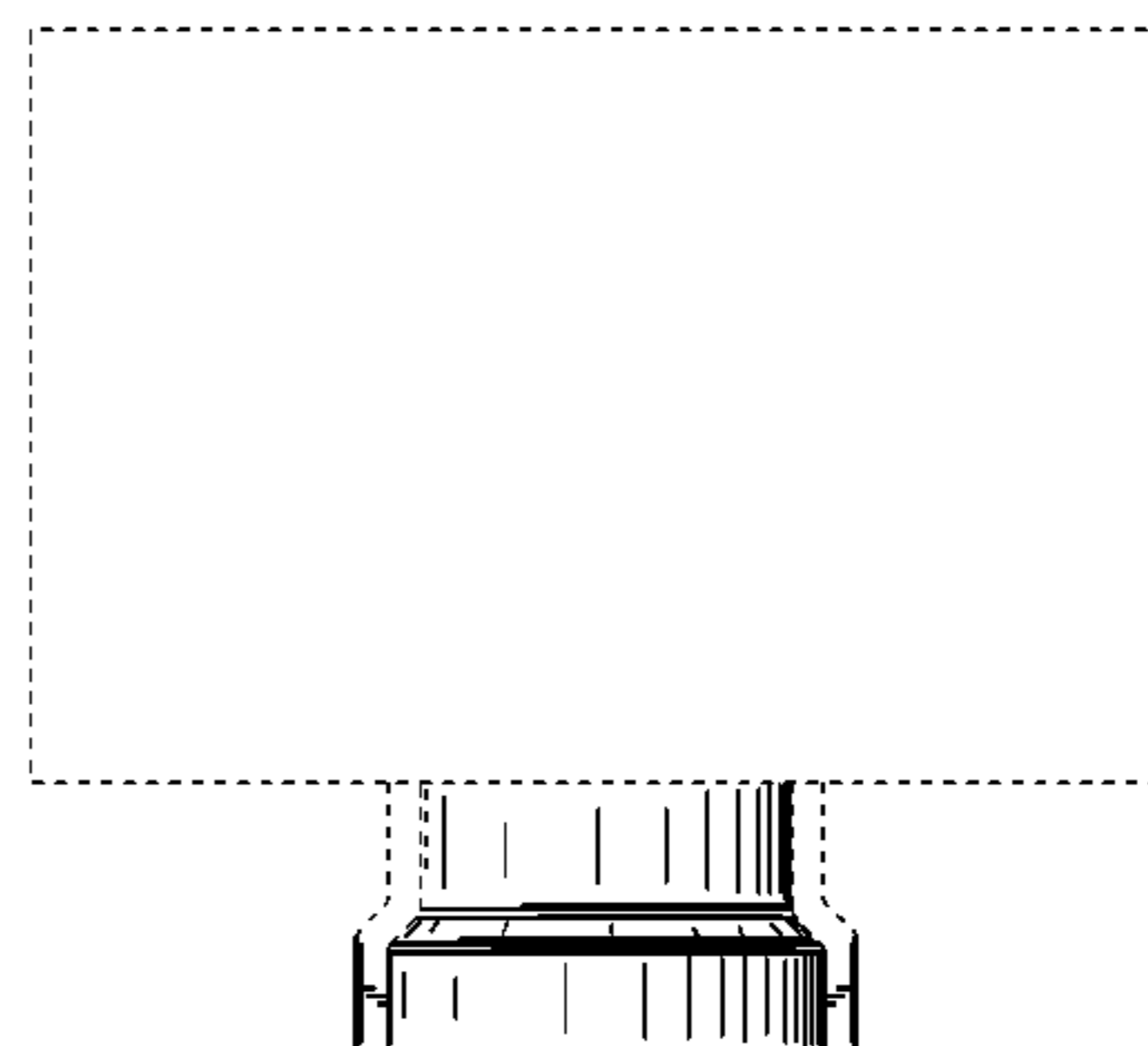
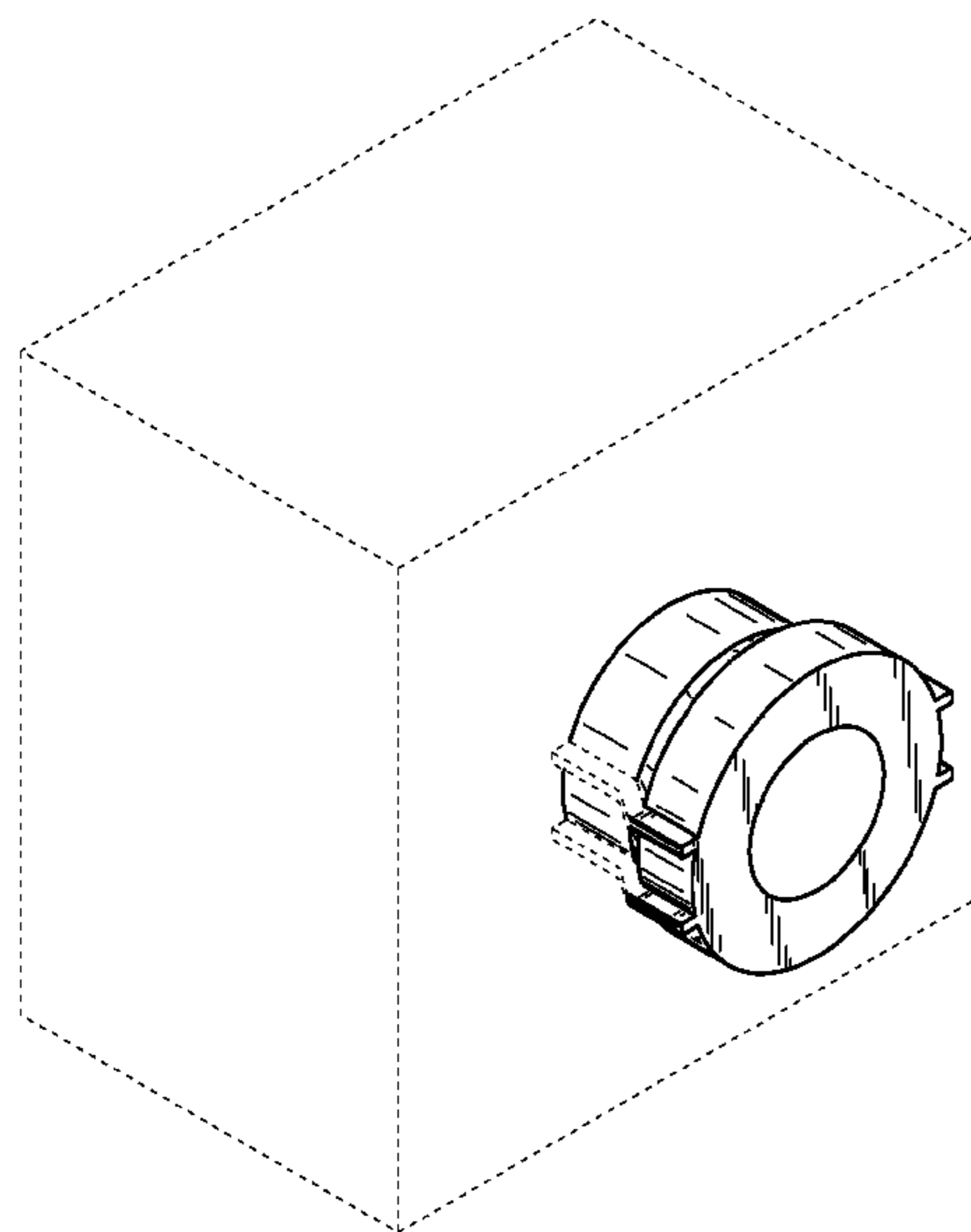
D297,256 S	8/1988	Schwarz
D360,459 S	7/1995	Tschaeppler
5,622,544 A	4/1997	Shamine et al.
5,853,024 A	12/1998	Life
6,094,836 A	8/2000	Mahoney et al.
D430,647 S	9/2000	Bergum et al.
6,581,297 B1	6/2003	Ginder
6,585,806 B2	7/2003	Quinn et al.
D482,435 S	11/2003	Kawakami et al.

FIG. 4 is a top view of the port of FIG. 1, the bottom side being a mirror image; and,

FIG. 5 is a perspective view showing the port of FIG. 1 on a valve body.

The broken line showing of a valve body is included for the purpose of illustrating environmental structure and forms no part of the claimed design.

1 Claim, 3 Drawing Sheets



US D630,651 S

Page 2

U.S. PATENT DOCUMENTS

D495,036 S 8/2004 Fukai
D498,820 S 11/2004 Fukai
D499,172 S 11/2004 Tripp et al.
6,824,594 B2 11/2004 Larsson
6,878,194 B2 4/2005 Hoffman et al.
D513,786 S 1/2006 Montano et al.
D518,874 S 4/2006 Takeda et al.
D519,188 S 4/2006 Hay
7,100,305 B2 9/2006 Hoffman et al.
D542,888 S 5/2007 Ye et al.
D546,419 S 7/2007 Steinberg
D546,920 S 7/2007 Fulkerson
7,273,072 B2 9/2007 Muller
D570,880 S 6/2008 Miller et al.
D574,940 S 8/2008 Quinn et al.
D578,549 S 10/2008 Nimberger
7,469,708 B2 12/2008 Koester
D591,309 S * 4/2009 Bobby et al. D15/5
7,544,234 B2 6/2009 Fornof
D597,630 S 8/2009 Easton

7,568,496 B2 8/2009 Kraenzle
D604,821 S 11/2009 Quinn et al.
D606,163 S 12/2009 Bobby et al.
D607,087 S 12/2009 Bobby et al.
7,637,977 B2 12/2009 Lucidera
D621,017 S 8/2010 Quinn et al.
2002/0017283 A1 2/2002 Furuya
2004/0083893 A1 5/2004 Larsson
2007/0084348 A1 4/2007 Hoffman et al.
2008/0307965 A1 12/2008 Hoffman et al.
2009/0199523 A1 8/2009 Hilberer

FOREIGN PATENT DOCUMENTS

WO 8911054 A1 11/1989

OTHER PUBLICATIONS

Bendix Service Data SD-03-821, Bendix TC-6 Trailer Control Brake Valve, 4 pages, Mar. 2004, printed USA.
Bendix Air System Components 03, Brake Valves, 5 pages, Mar. 2004, printed USA.

* cited by examiner

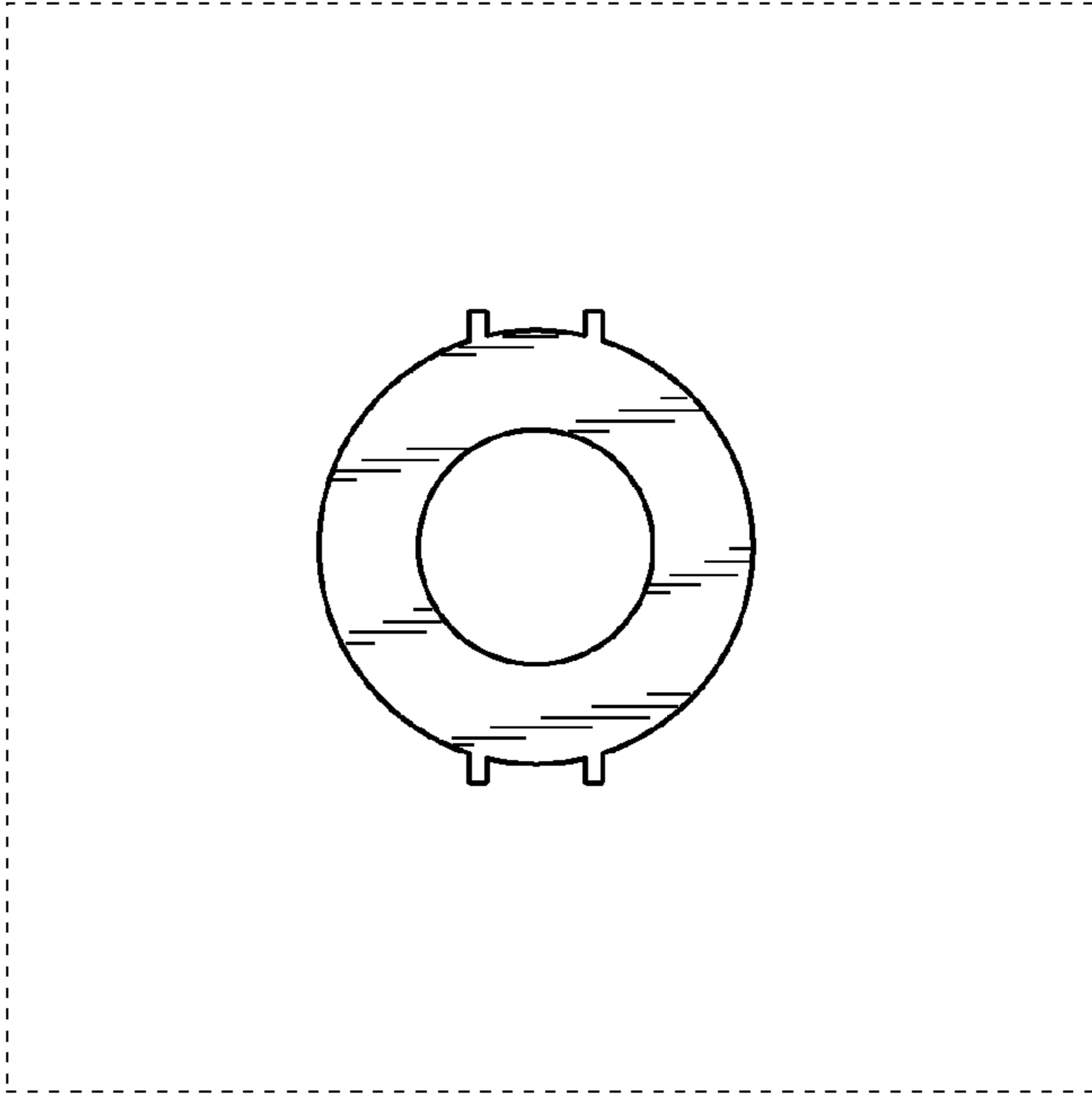


Fig.2

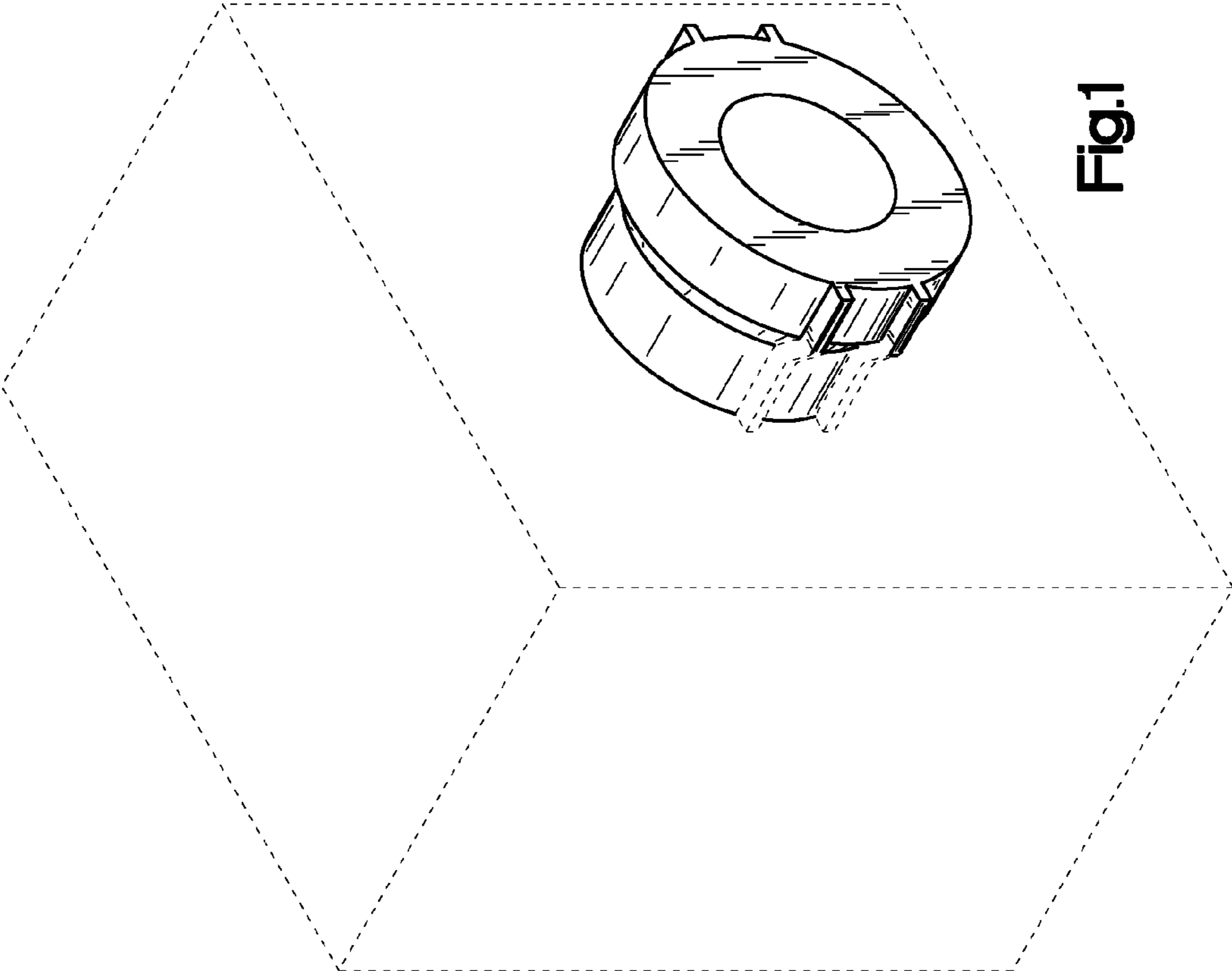


Fig.1

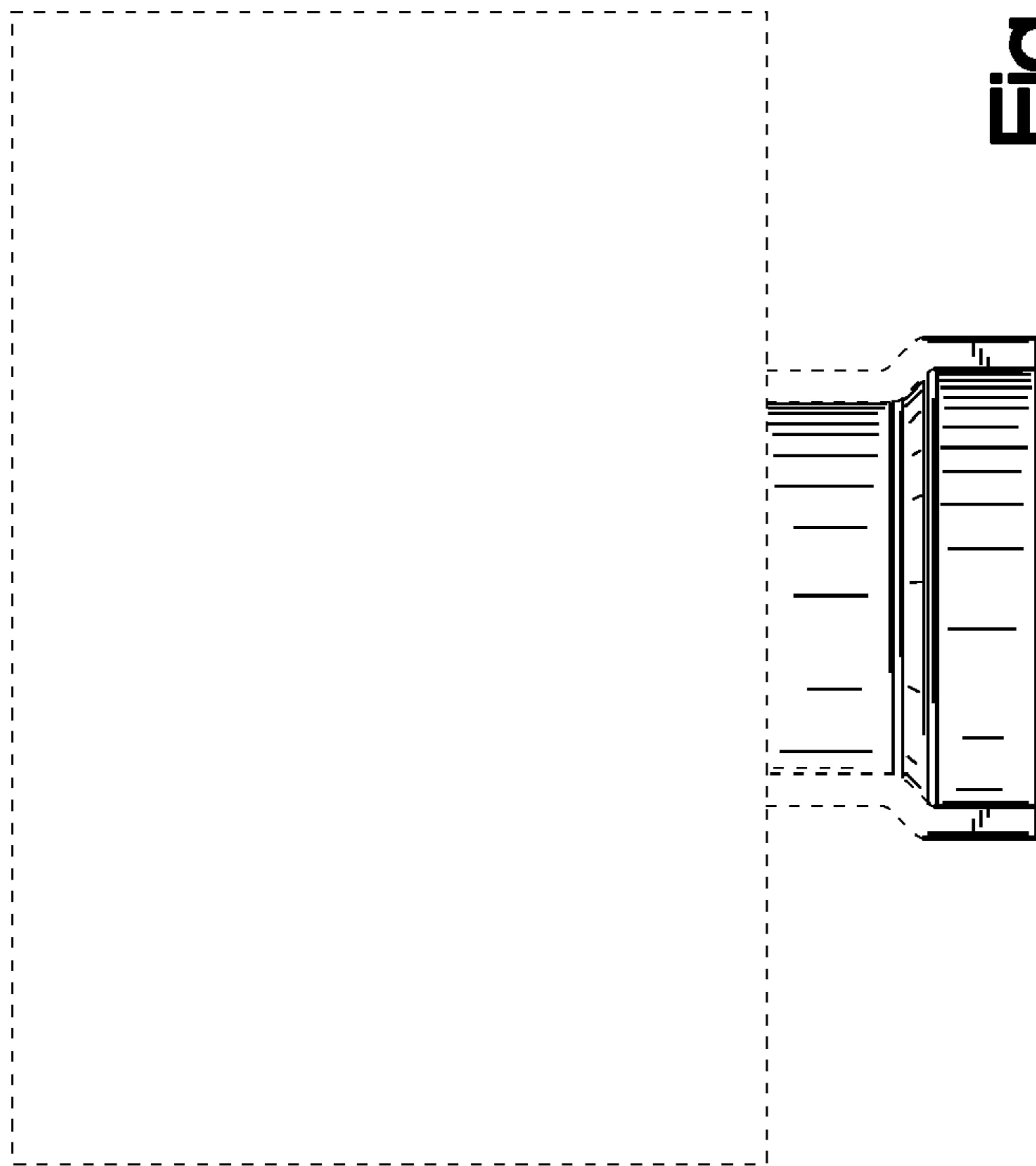


Fig.4

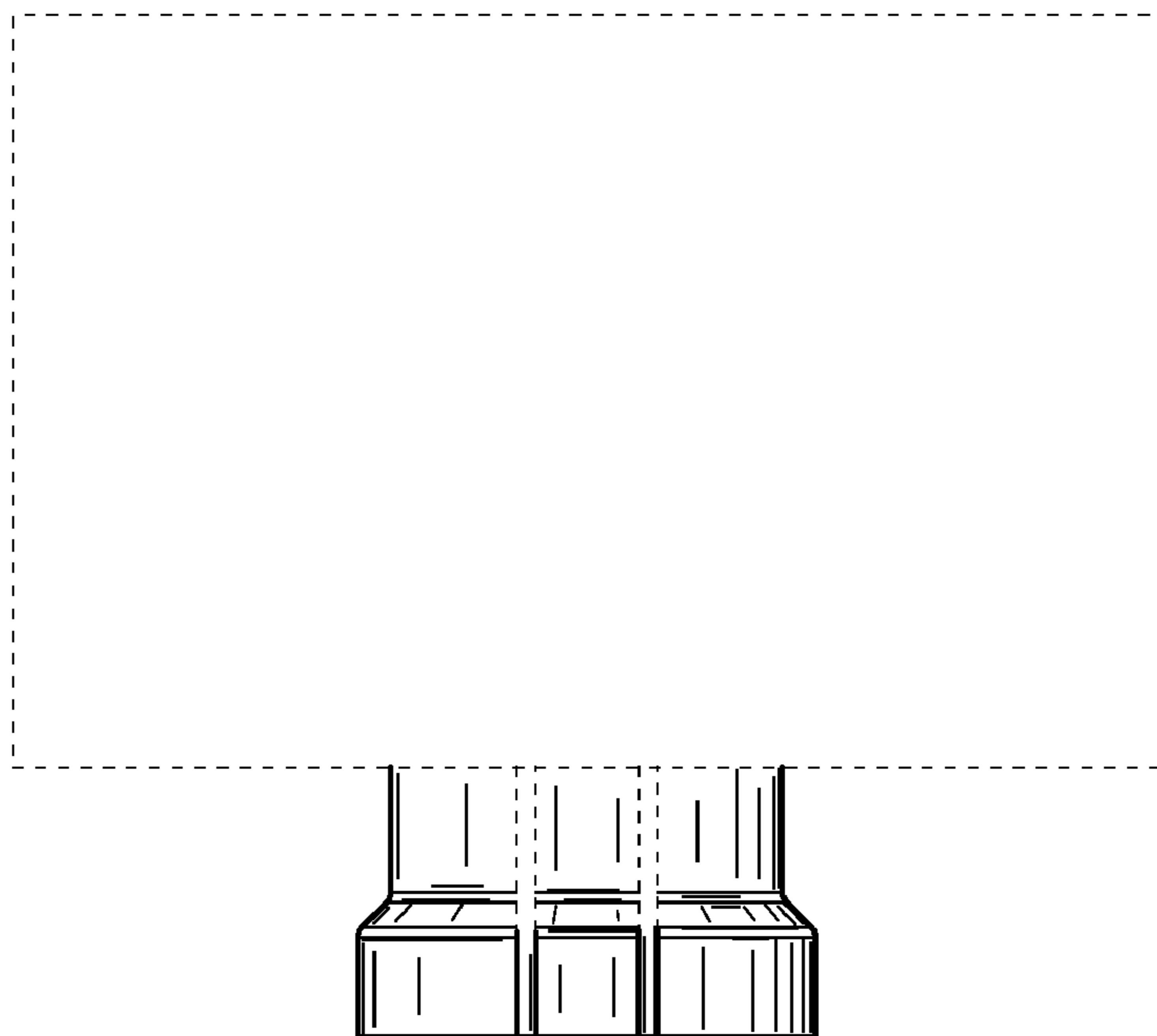


Fig.3

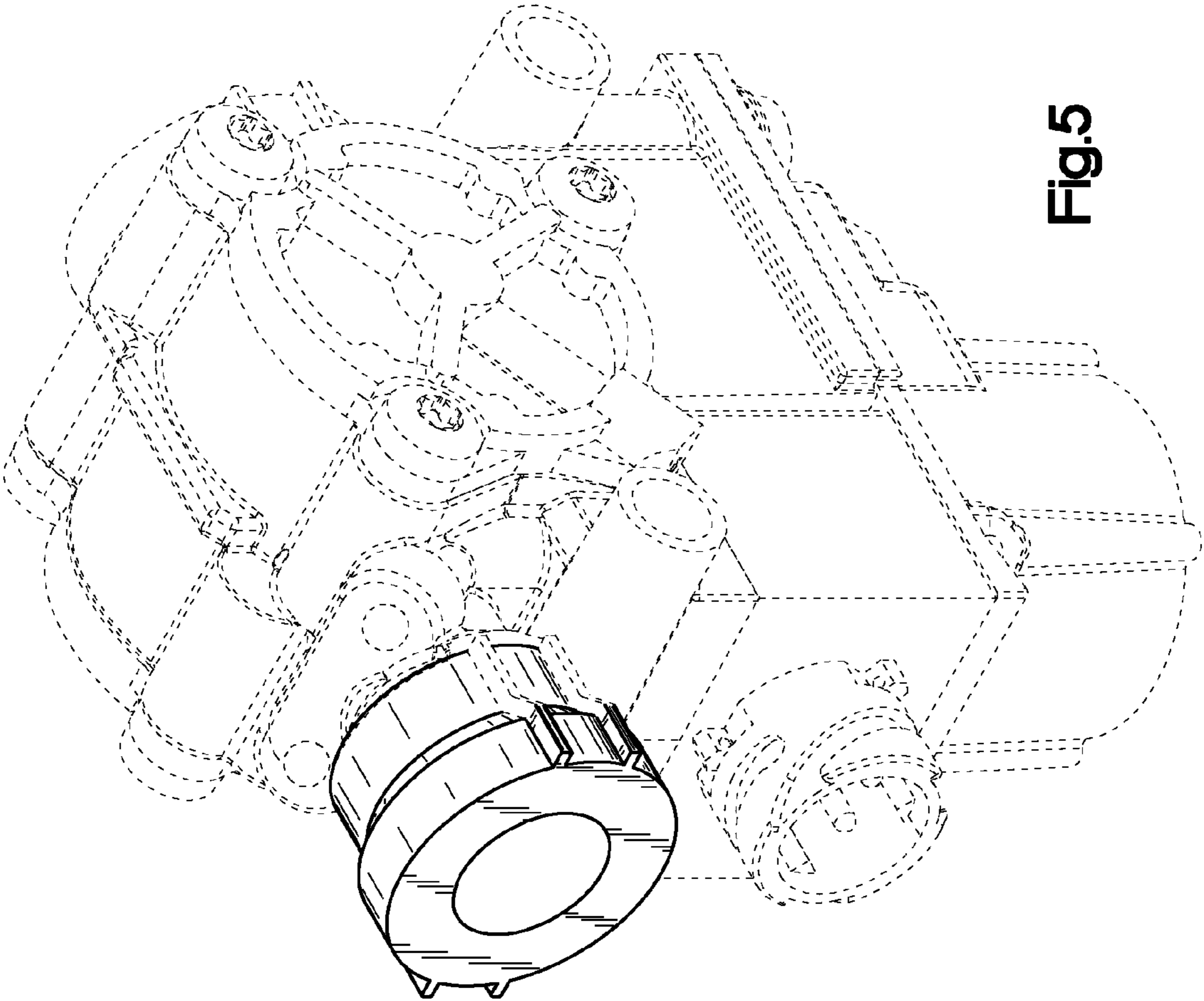


Fig.5