



US00D630650S

(12) **United States Design Patent**
Hsu

(10) **Patent No.:** **US D630,650 S**
(45) **Date of Patent:** **** Jan. 11, 2011**

(54) **MOTOR DEVICE**

(76) Inventor: **Huang-Hsi Hsu**, 8F., No. 14, Lane 252,
Chungshan N. Rd., Sec. 6, Taipei (TW)

(**) Term: **14 Years**

(21) Appl. No.: **29/347,925**

(22) Filed: **Aug. 5, 2010**

(51) **LOC (9) Cl.** **15-01**

(52) **U.S. Cl.** **D15/1; D13/112**

(58) **Field of Classification Search** D15/1,
D15/5; D13/110, 112, 184, 199; D7/407;
99/421 H

See application file for complete search history.

(56) **References Cited**

U.S. PATENT DOCUMENTS

D261,471 S *	10/1981	Koziol	D7/402
6,484,625 B2 *	11/2002	Waltman	99/421 HH
D491,415 S *	6/2004	Rummel et al.	D7/402
D581,357 S *	11/2008	Hsu	D13/112

* cited by examiner

Primary Examiner—T. Chase Nelson
Assistant Examiner—Ania K Dworzecka

(74) *Attorney, Agent, or Firm*—Bacon & Thomas, PLLC

(57) **CLAIM**

The ornamental design for a motor device, as shown and described.

DESCRIPTION

FIG. 1 is a perspective view of a motor device showing my new design;

FIG. 2 is a front elevational view thereof;

FIG. 3 is a rear elevational view thereof;

FIG. 4 is a left side elevational view thereof;

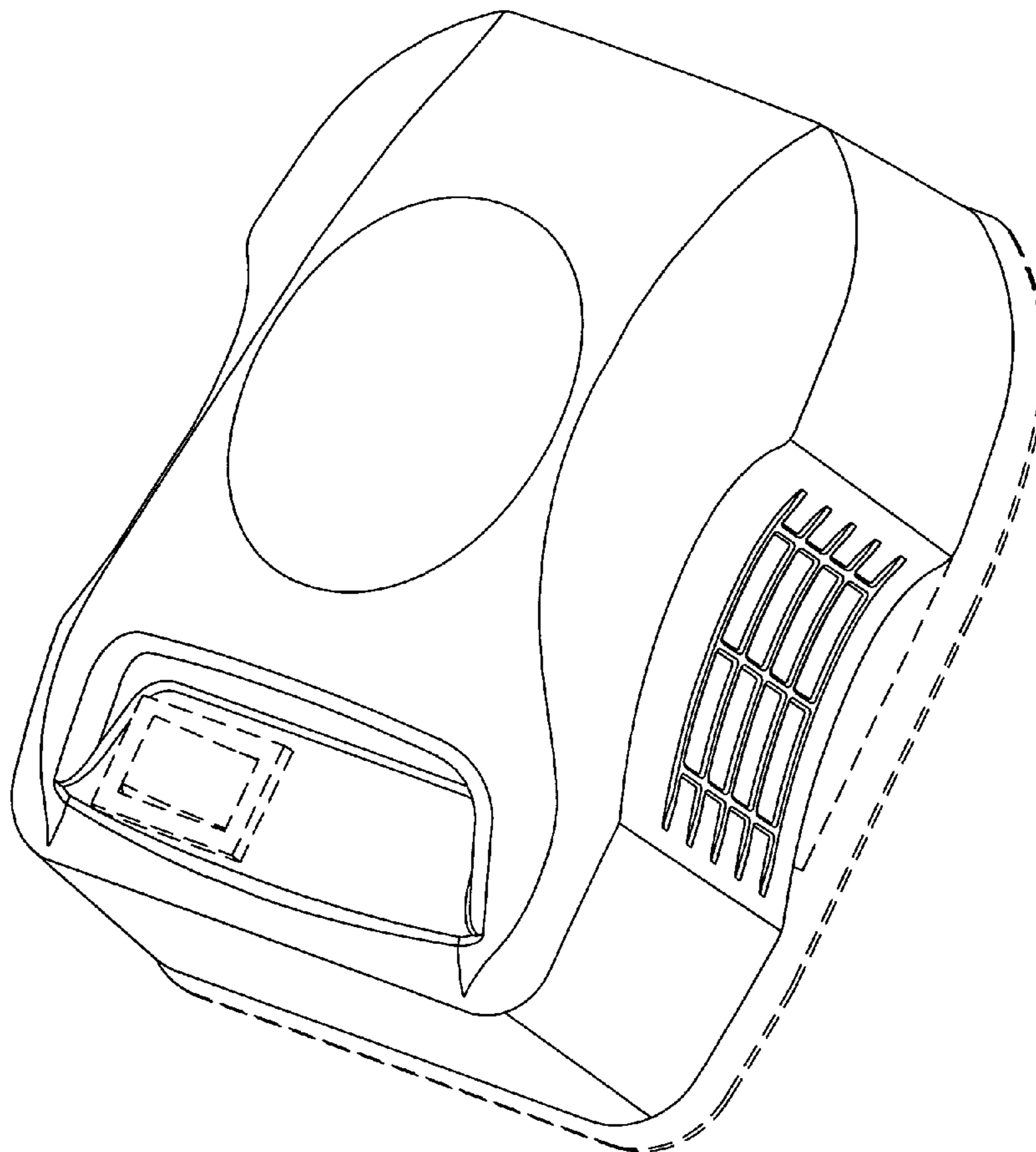
FIG. 5 is a right side elevational view thereof;

FIG. 6 is a top plan view thereof; and,

FIG. 7 is a bottom plan view thereof.

In the drawings, the broken lines depict unclaimed subject matter only and form no part of the claimed design.

1 Claim, 7 Drawing Sheets



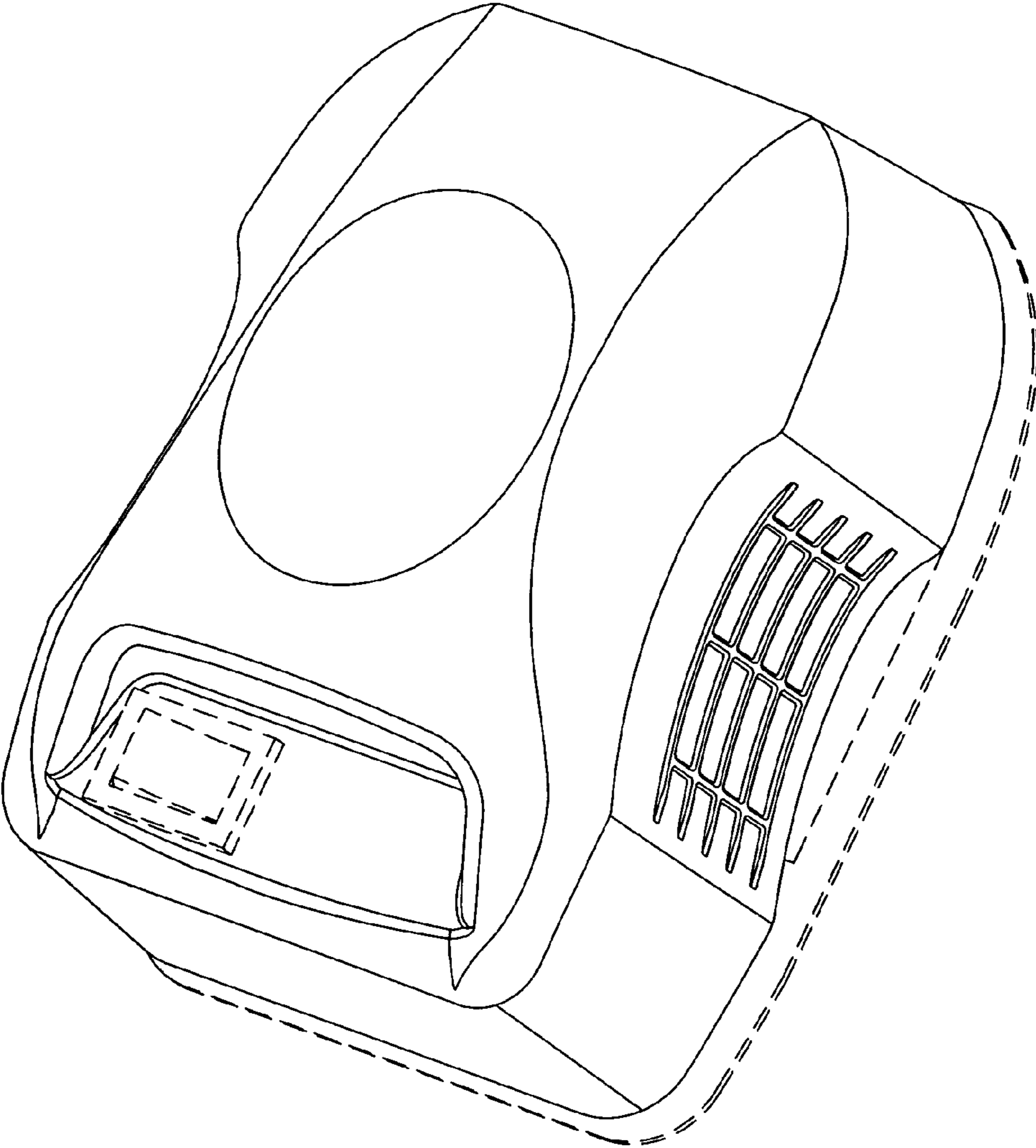


FIG. 1

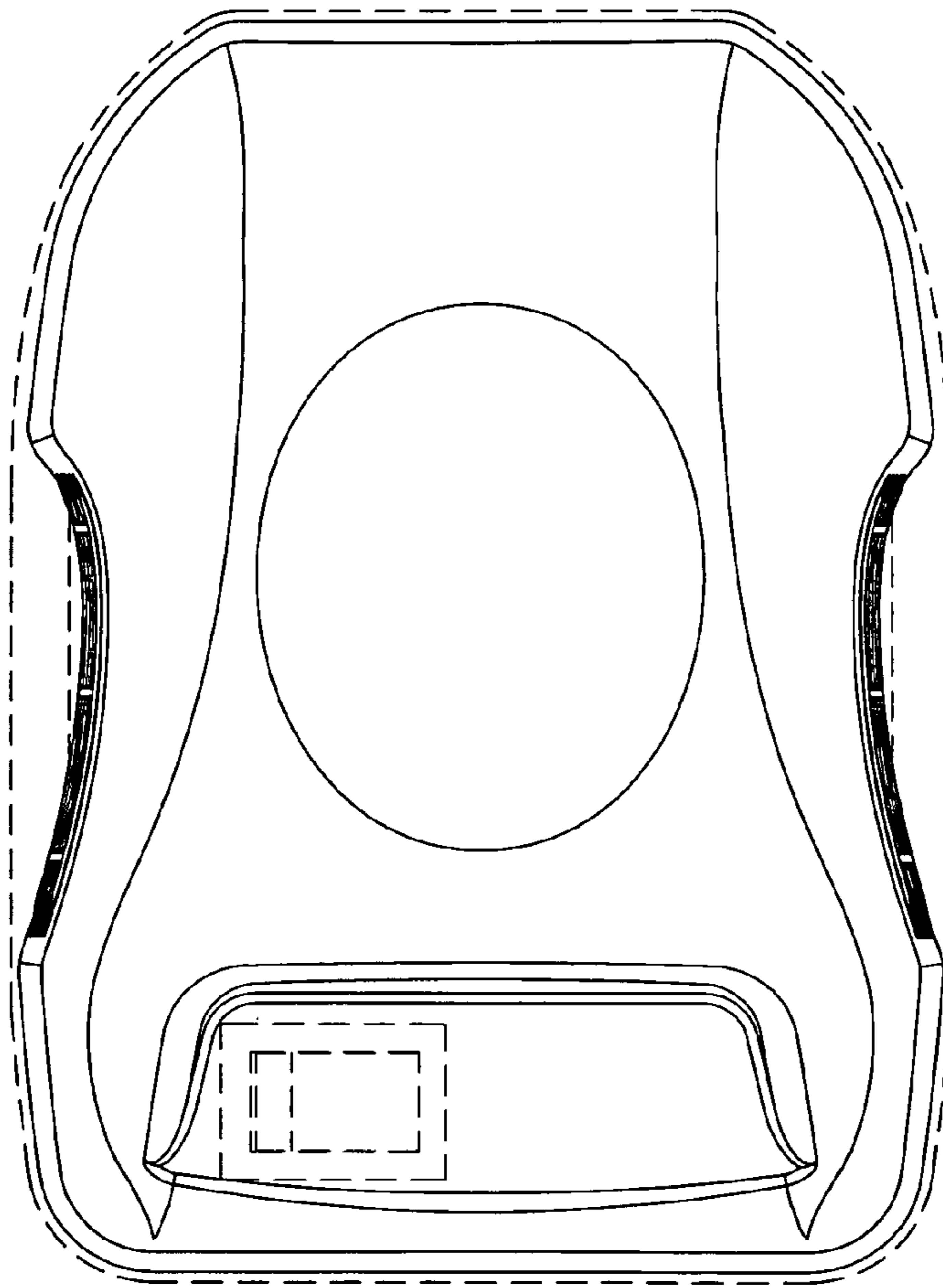


FIG. 2

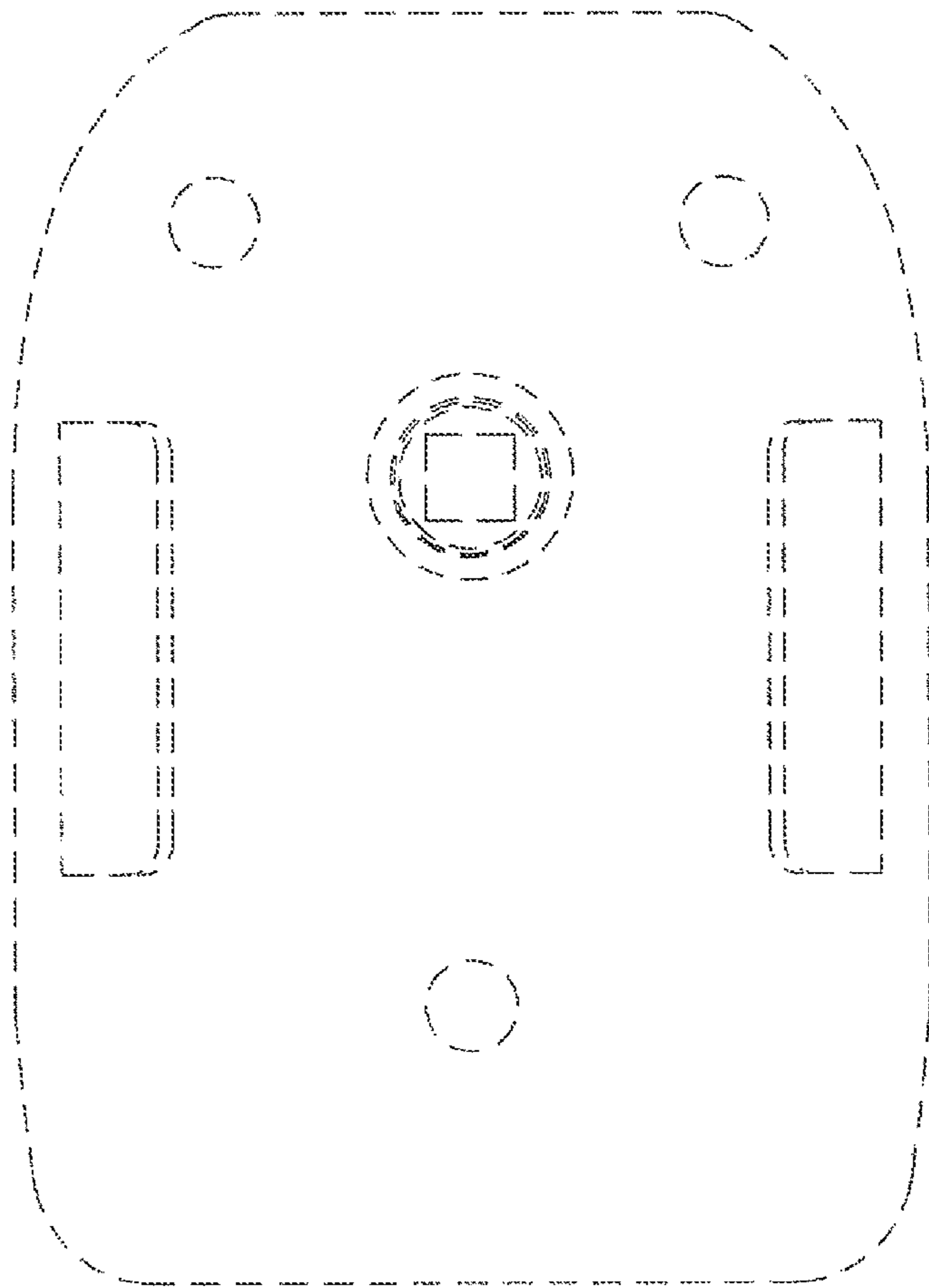


FIG. 3

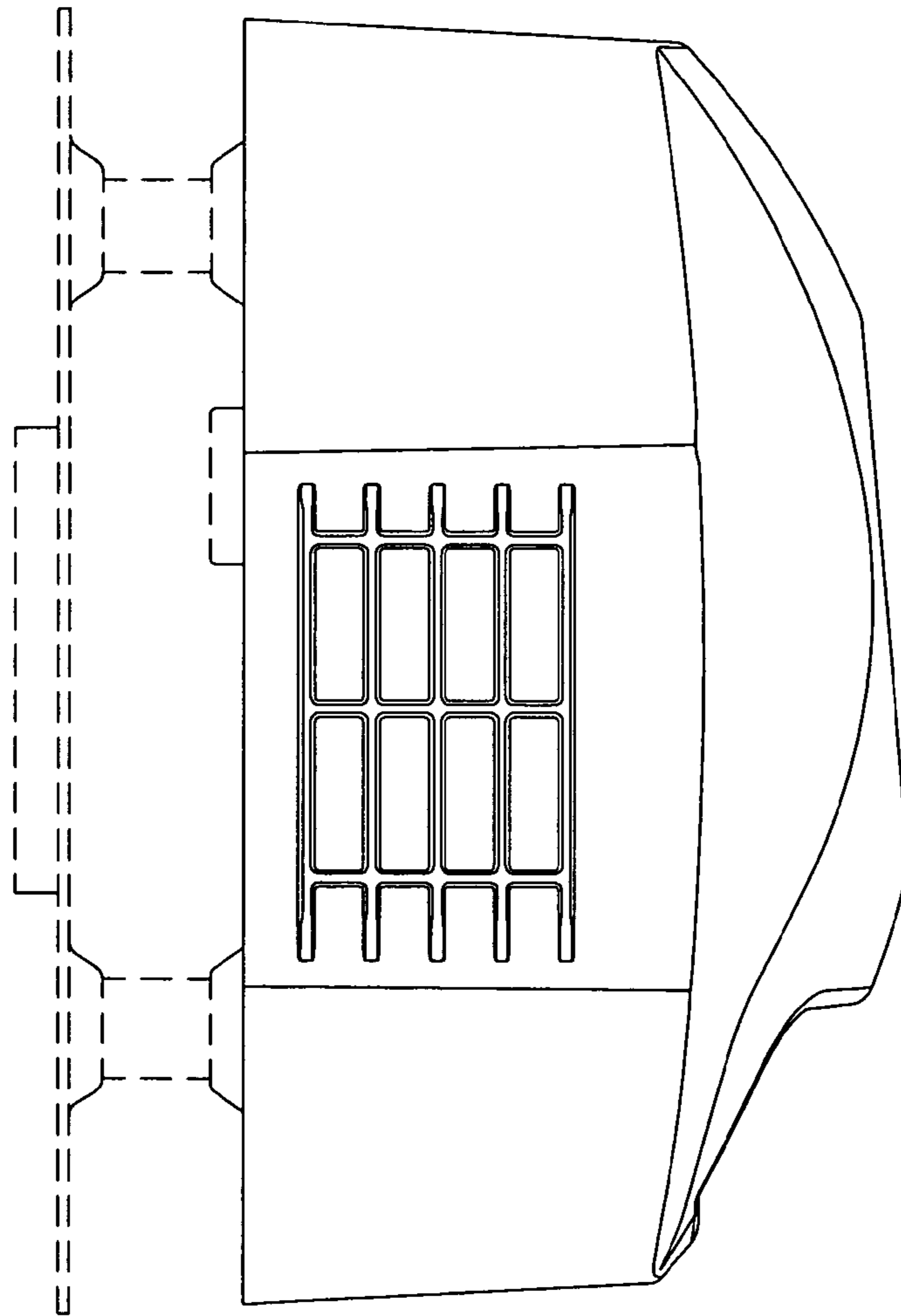


FIG. 4

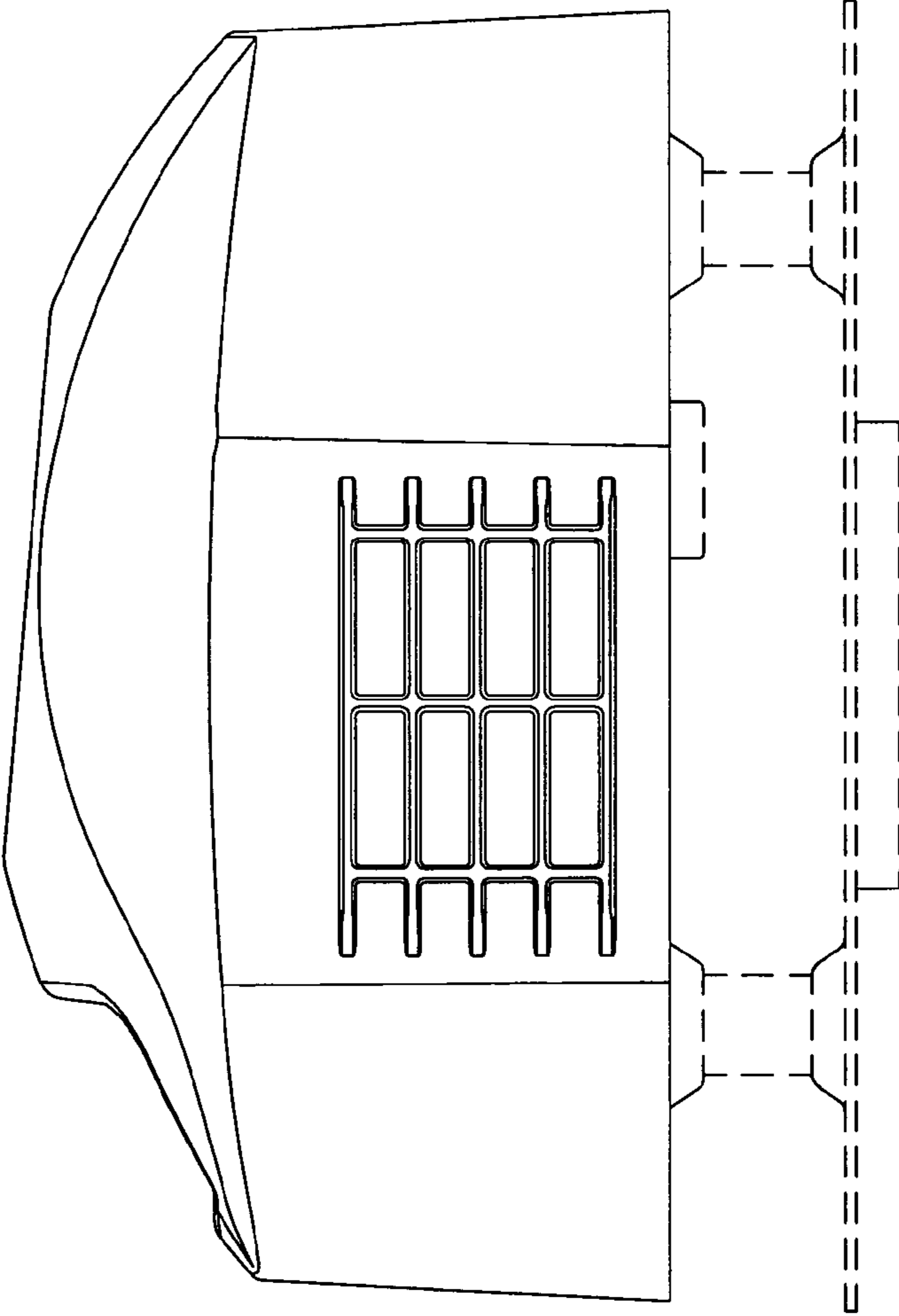


FIG. 5

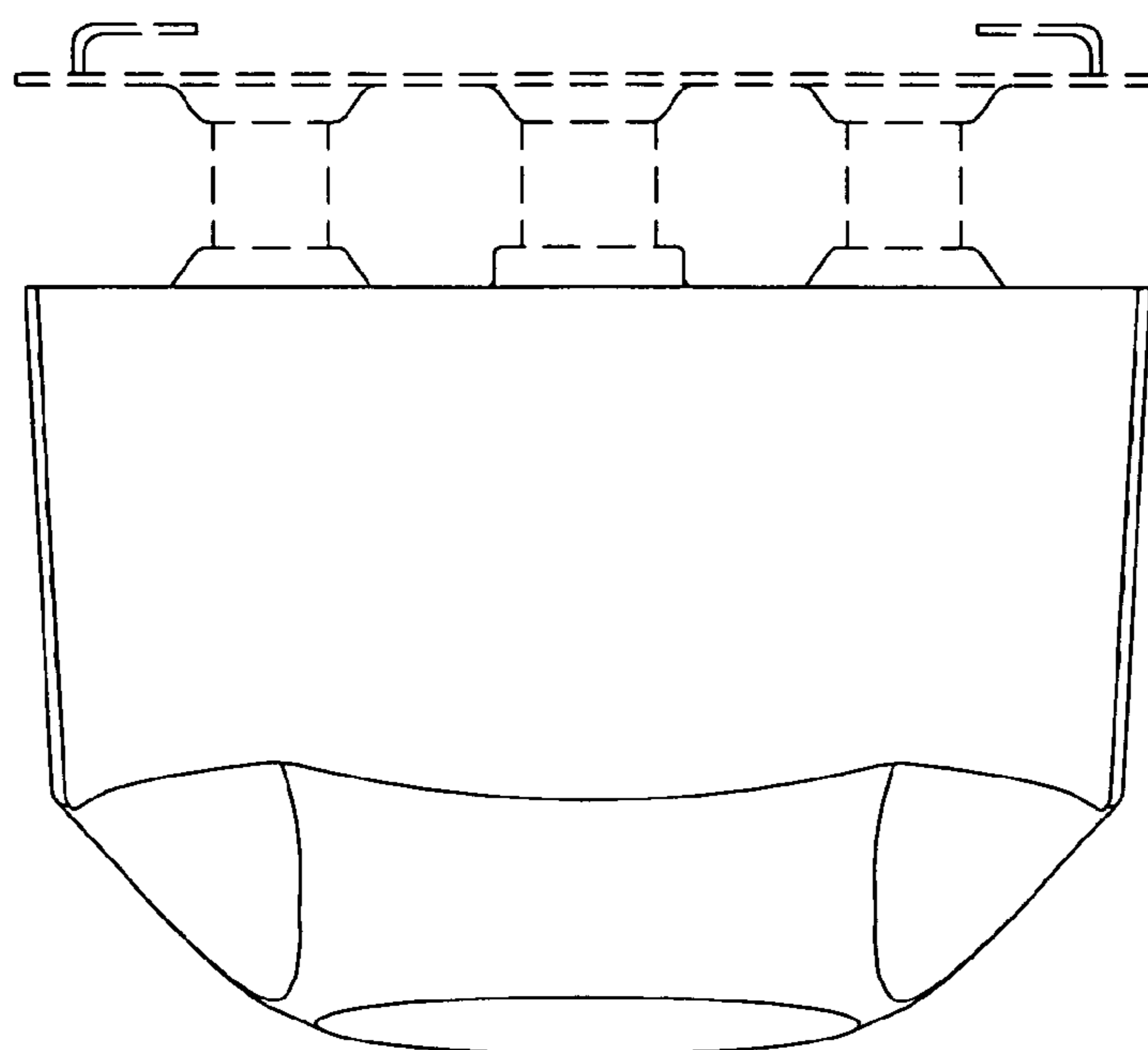


FIG. 6

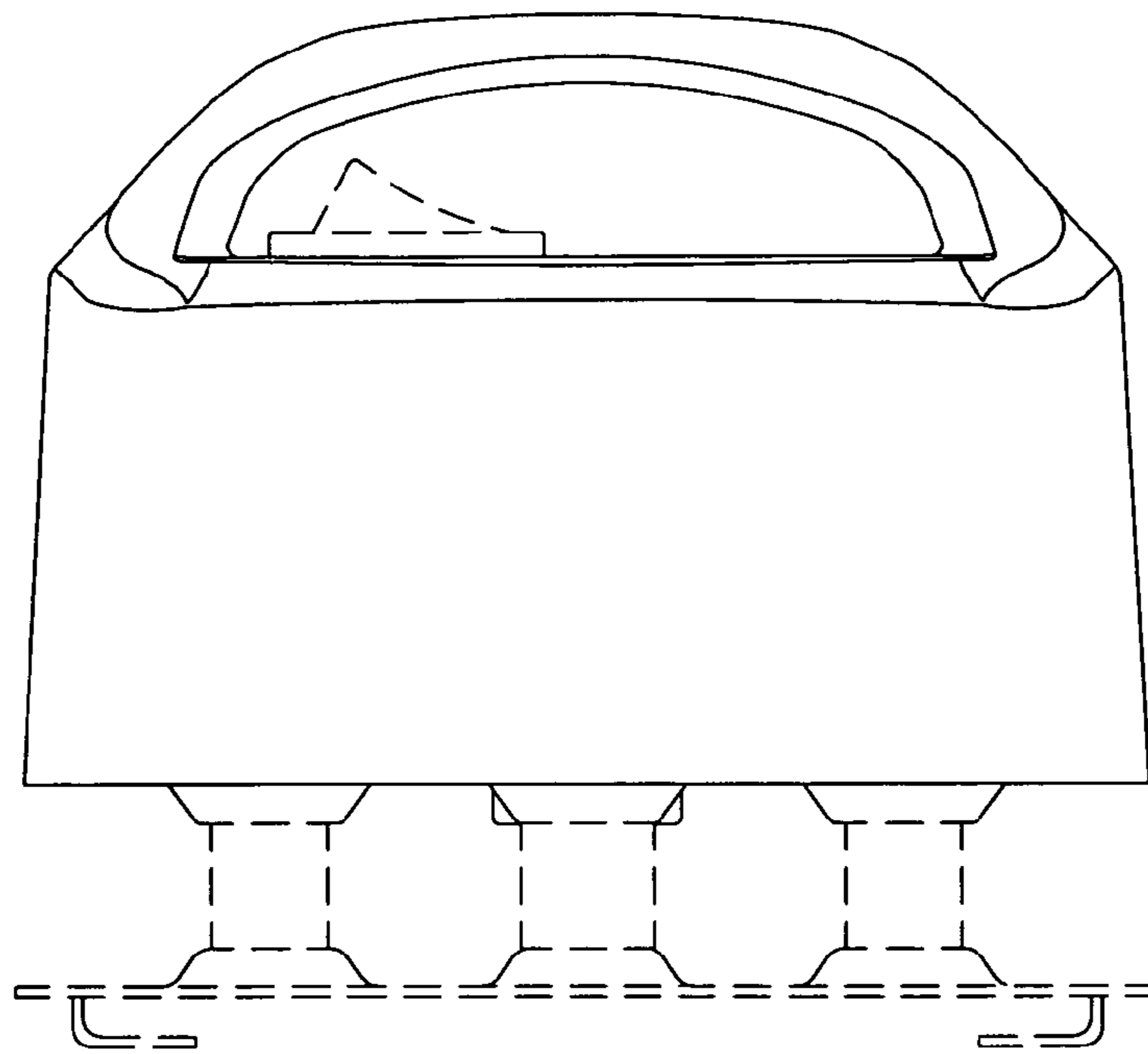


FIG. 7