



US00D630639S

(12) **United States Design Patent**  
**Wu et al.**

(10) **Patent No.:** **US D630,639 S**  
(45) **Date of Patent:** **\*\* Jan. 11, 2011**

(54) **KEYBOARD**

(75) Inventors: **Kun-Tsan Wu**, Shindian (TW); **Li-Wen Tien**, Shindian (TW)

(73) Assignee: **FIH (Hong Kong) Limited**, Kowloon (HK)

(\*\*) Term: **14 Years**

(21) Appl. No.: **29/359,767**

(22) Filed: **Apr. 15, 2010**

(30) **Foreign Application Priority Data**

Dec. 25, 2009 (CN) ..... 2009 3 0331060

(51) **LOC (9) Cl.** ..... **14-02**

(52) **U.S. Cl.** ..... **D14/455**

(58) **Field of Classification Search** ..... D14/391-399, D14/385, 455; D18/1, 2, 7, 11; 178/17 A, 178/17 C; 200/5 A, 5 R, 6 A, 6 R; 235/145 A, 235/145 R; 341/22, 23, 35; 345/160, 168; 361/679.01, 679.08, 679.17; 400/484-486, 400/488, 489, 492; D7/300, 510, 608, 629  
See application file for complete search history.

(56) **References Cited**

**U.S. PATENT DOCUMENTS**

5,073,050 A \* 12/1991 Andrews ..... 400/82  
6,288,706 B1 \* 9/2001 Leman ..... 345/168  
D452,502 S \* 12/2001 Summit et al. .... D14/392  
7,006,015 B2 \* 2/2006 England ..... 341/22  
D522,320 S \* 6/2006 Schmidt ..... D7/608  
D523,012 S \* 6/2006 O'Neil et al. .... D14/396

D523,433 S \* 6/2006 O'Neil et al. .... D14/396  
7,189,017 B2 \* 3/2007 McLoone ..... 400/472  
D596,460 S \* 7/2009 Nezu ..... D7/510

**FOREIGN PATENT DOCUMENTS**

KR 30-0385992 8/2004

\* cited by examiner

*Primary Examiner*—Freda S Nunn

(74) *Attorney, Agent, or Firm*—Steven M. Reiss

(57) **CLAIM**

The ornamental design for a keyboard, as shown and described.

**DESCRIPTION**

FIG. 1 is a perspective view of a keyboard showing our new design;

FIG. 2 is a front elevational view thereof;

FIG. 3 is a rear elevational view thereof;

FIG. 4 is a left side elevational view thereof;

FIG. 5 is a right side elevational view thereof;

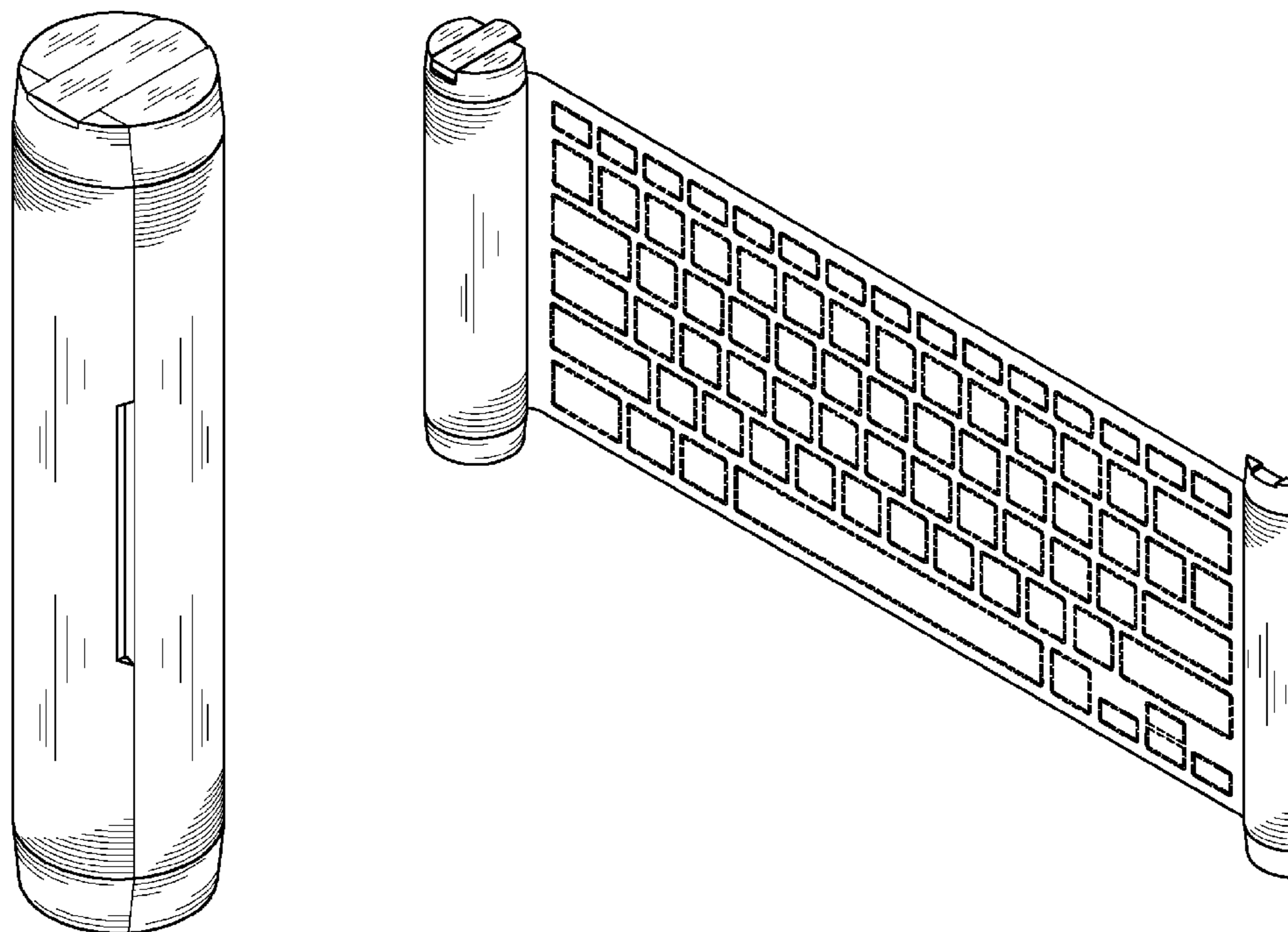
FIG. 6 is a top plan view thereof;

FIG. 7 is a bottom plan view thereof; and,

FIG. 8 is a perspective view thereof shown in an operative state.

The broken lines of all the figures are for the purpose of illustrating environment and form no part of the claimed design.

**1 Claim, 8 Drawing Sheets**



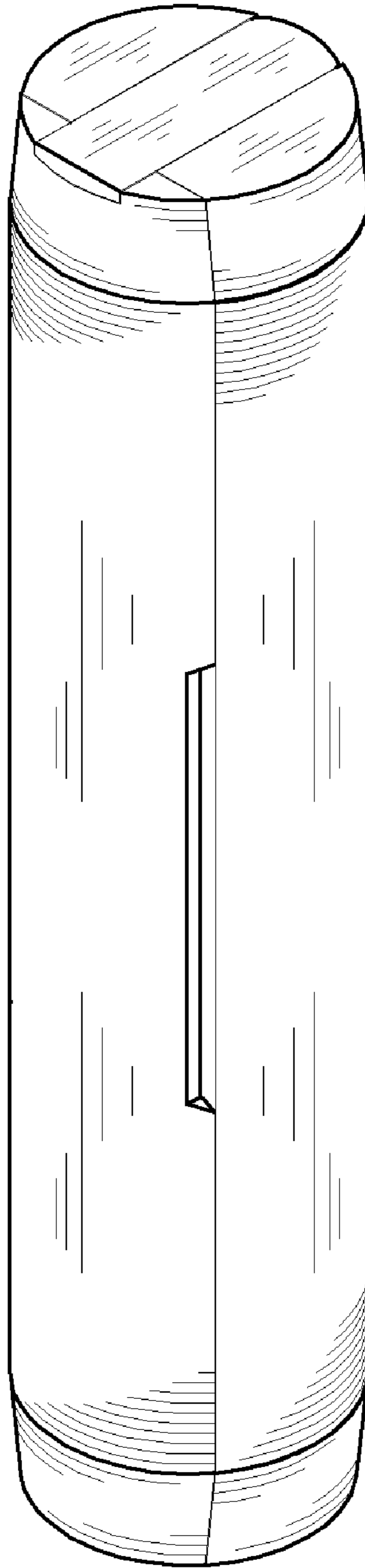


FIG. 1

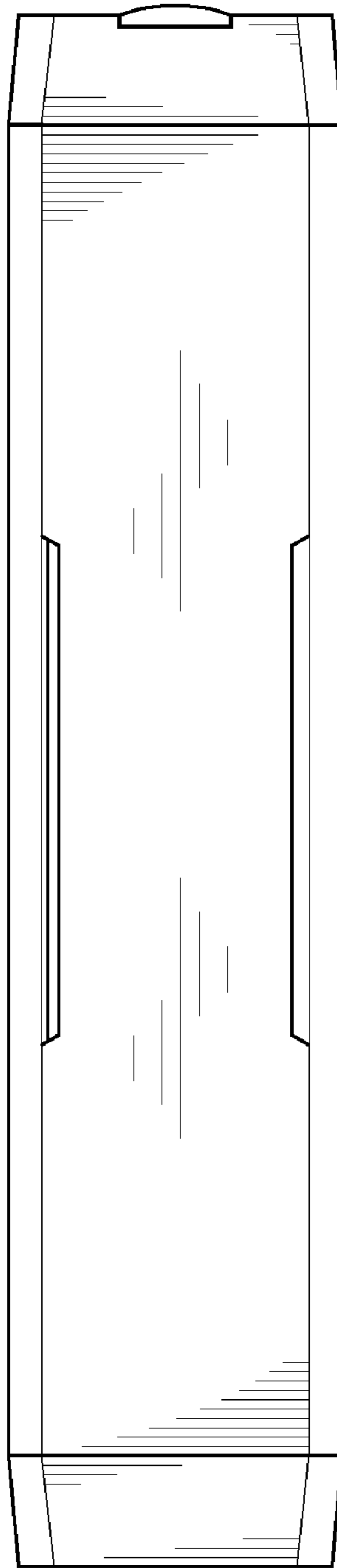


FIG. 2

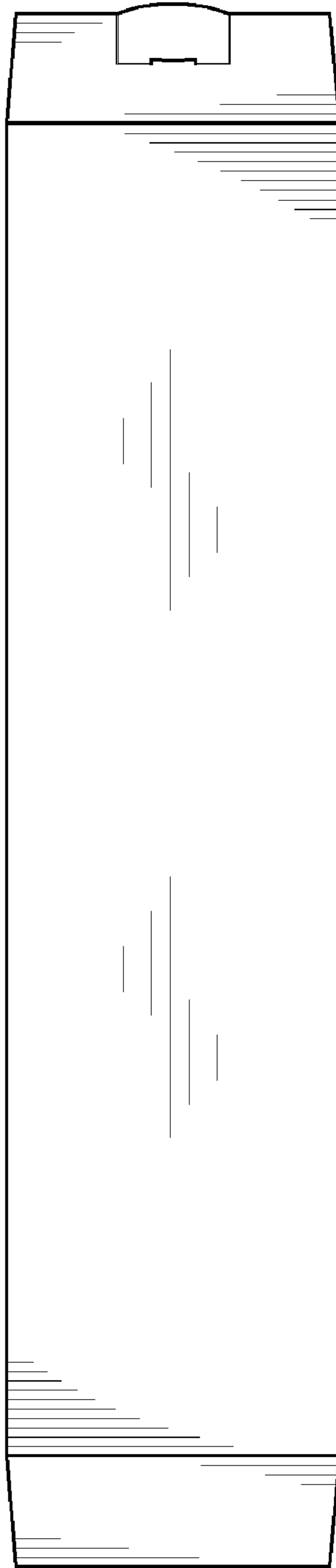


FIG. 3

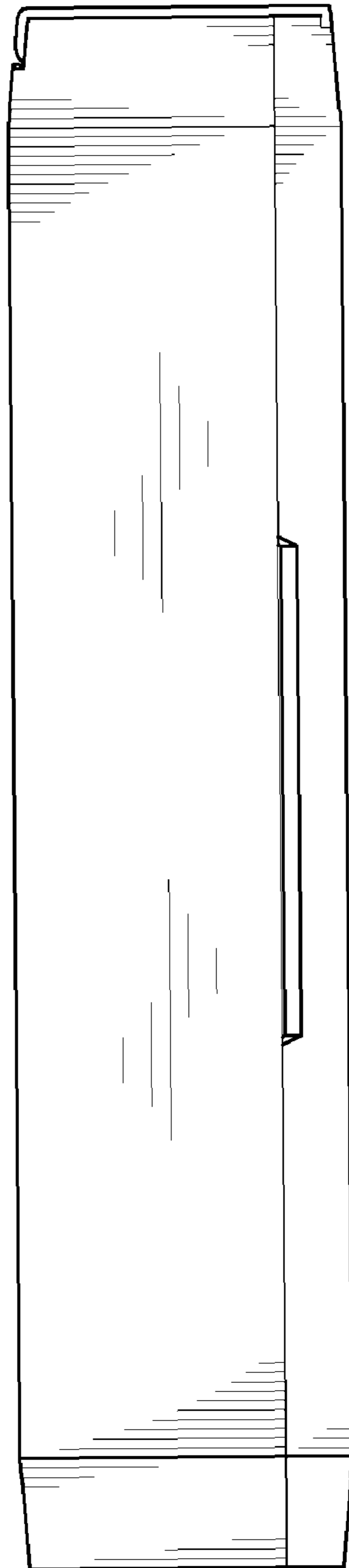


FIG. 4



FIG. 5

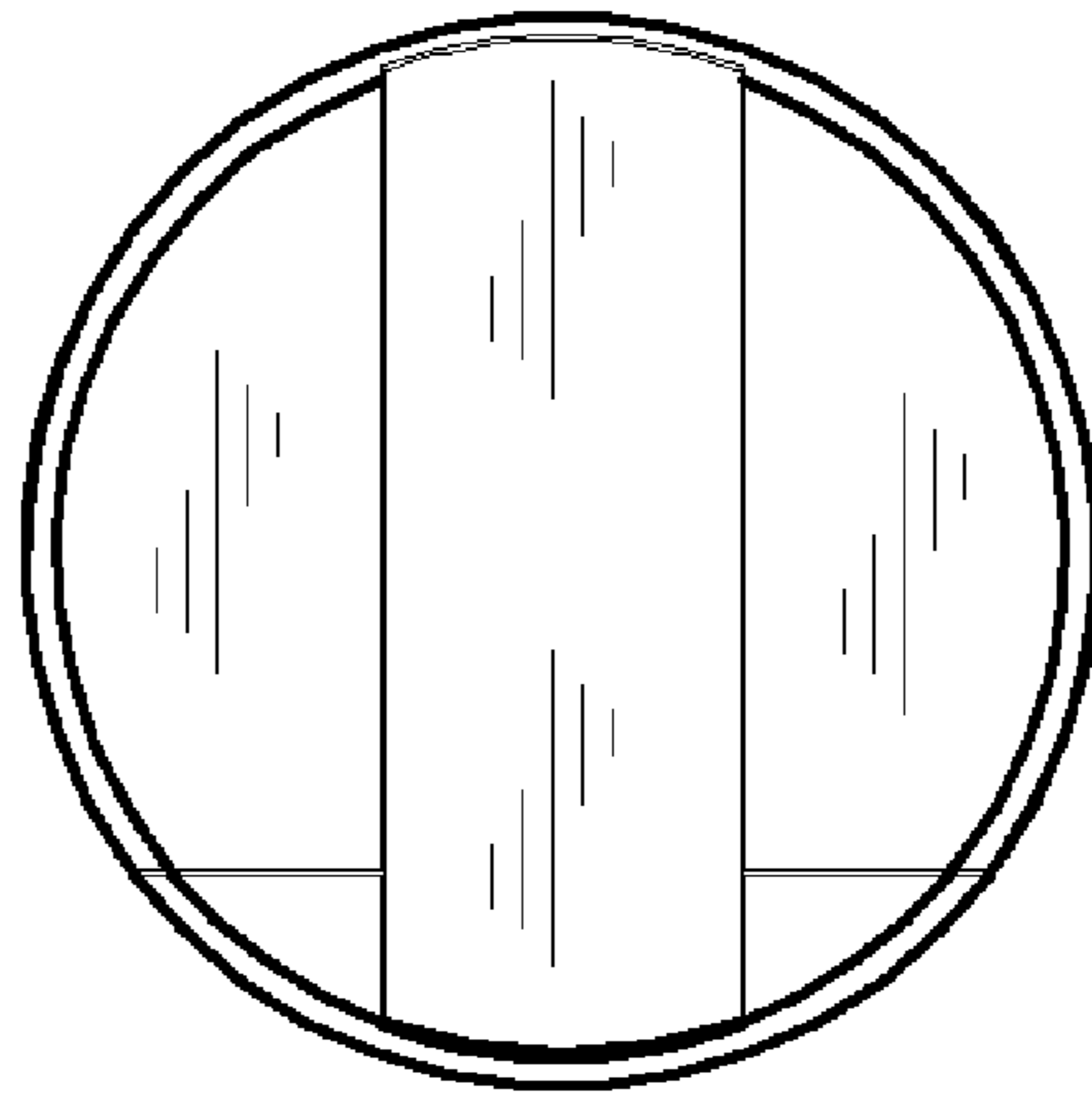


FIG. 6

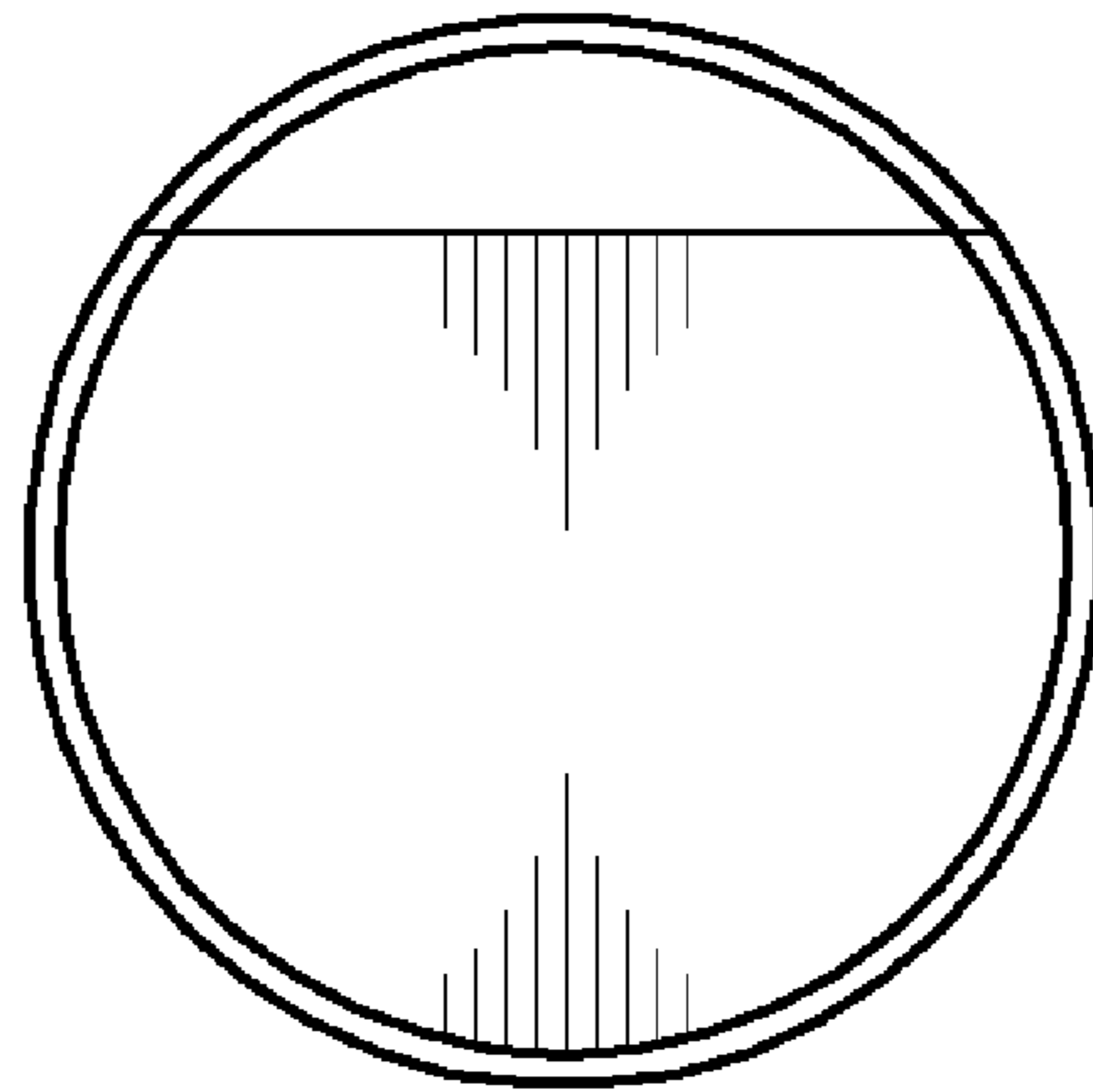


FIG. 7



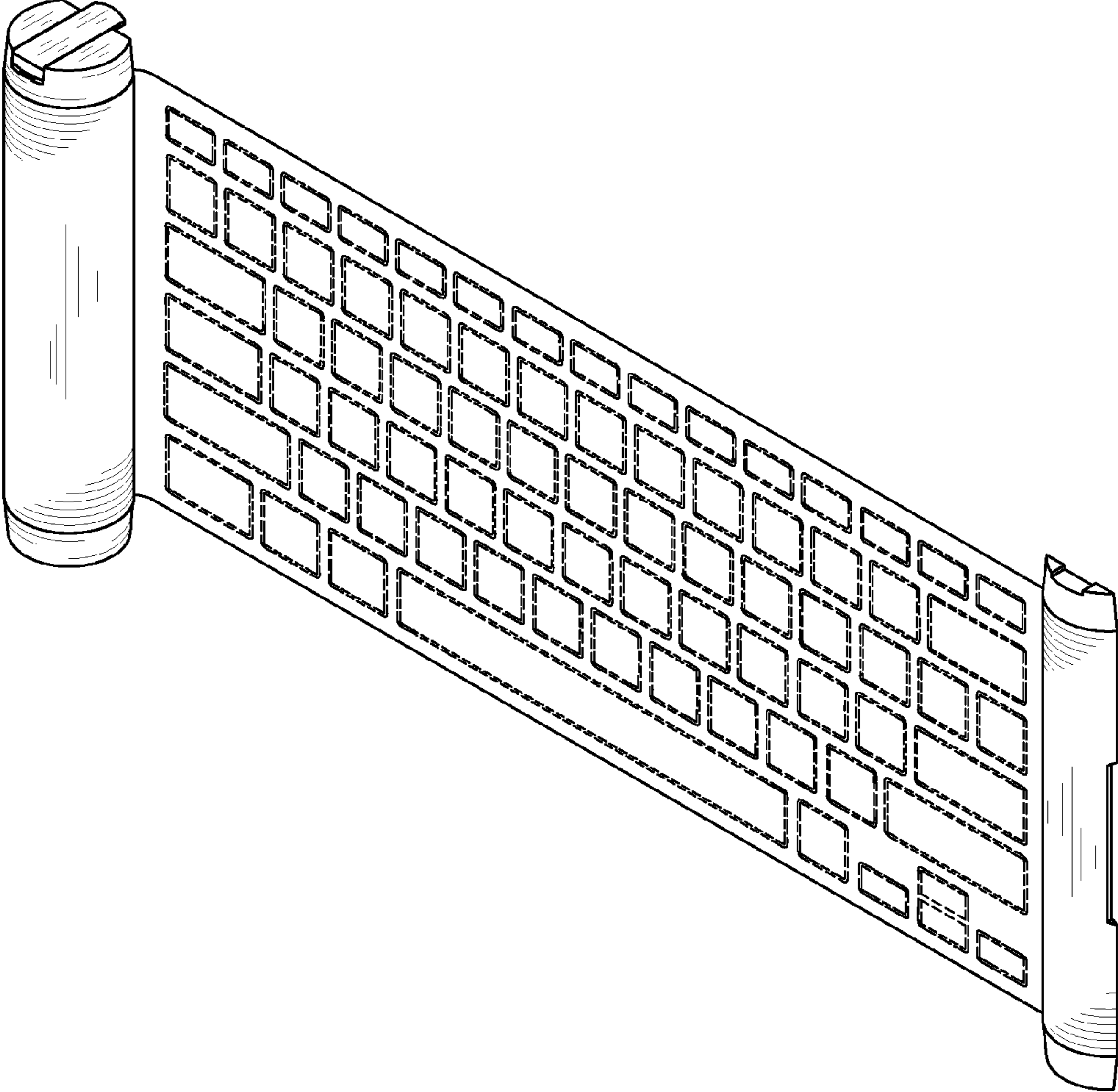


FIG. 8