



US00D630638S

(12) **United States Design Patent**  
**Wu et al.**

(10) **Patent No.:** **US D630,638 S**

(45) **Date of Patent:** **\*\* Jan. 11, 2011**

(54) **KEYBOARD WITH INVISIBLE KEYS**  
(75) Inventors: **Kun-Tsan Wu**, Shindian (TW); **Li-Wen Tien**, Shindian (TW)

D386,754 S \* 11/1997 Gifford et al. .... D14/396  
D436,951 S \* 1/2001 Andresen ..... D14/336  
D485,271 S \* 1/2004 Kamegi ..... D14/392  
D501,478 S \* 2/2005 Tzeng et al. .... D14/396  
D598,451 S \* 8/2009 Andre et al. .... D14/392

(73) Assignee: **FIH (Hong Kong) Limited**, Kowloon (HK)

\* cited by examiner

(\*\*) Term: **14 Years**

*Primary Examiner*—Freda S Nunn

(74) *Attorney, Agent, or Firm*—Steven M. Reiss

(21) Appl. No.: **29/358,291**

(57) **CLAIM**

(22) Filed: **Mar. 25, 2010**

The ornamental design for a keyboard with invisible keys, as shown and described.

(30) **Foreign Application Priority Data**

Dec. 25, 2009 (CN) ..... 2009 3 0331086

**DESCRIPTION**

(51) **LOC (9) Cl.** ..... **14-02**

FIG. 1 is a perspective view of a keyboard with invisible keys showing our new design;

(52) **U.S. Cl.** ..... **D14/455**

FIG. 2 is a front elevational view thereof;

(58) **Field of Classification Search** ..... D14/391–399,  
D14/385, 455; D18/1, 2, 7, 11; 178/17 A,  
178/17 C; 200/5 A, 5 R, 6 A, 6 R; 235/145 A,  
235/145 R; 341/22, 23, 35; 345/160, 168;  
361/679.01, 679.08, 679.17; 400/484–486,  
400/488, 489, 492

FIG. 3 is a rear elevational view thereof;

FIG. 4 is a left side elevational view thereof;

FIG. 5 is a right side elevational view thereof;

FIG. 6 is a top plan view thereof;

FIG. 7 is a bottom plan view thereof; and,

FIG. 8 is a perspective view thereof when in a use.

See application file for complete search history.

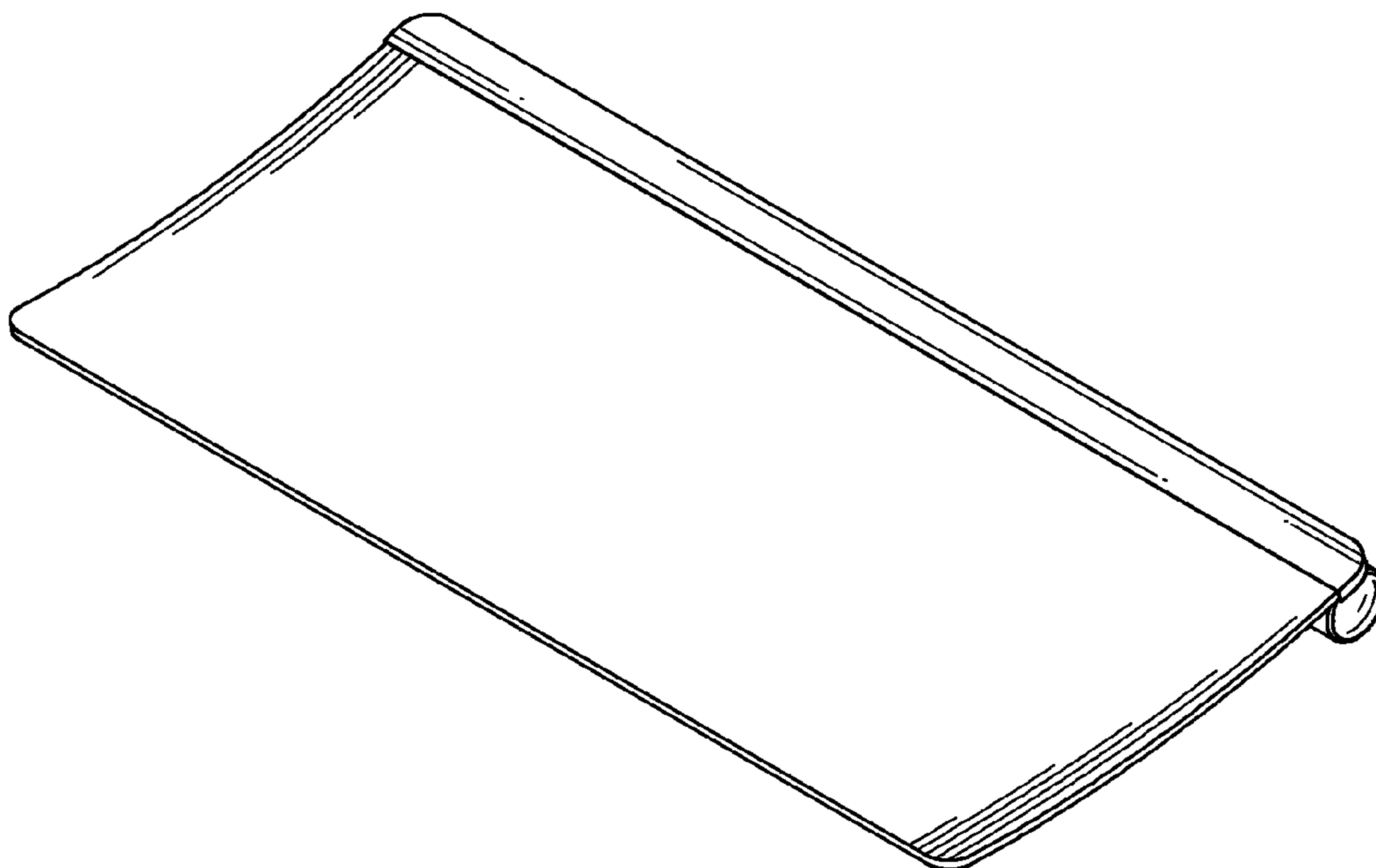
The broken lines of FIG. 8 are for showing environmental features and are not part of the design.

(56) **References Cited**

**U.S. PATENT DOCUMENTS**

5,439,304 A \* 8/1995 Phillips et al. .... 400/492

**1 Claim, 8 Drawing Sheets**



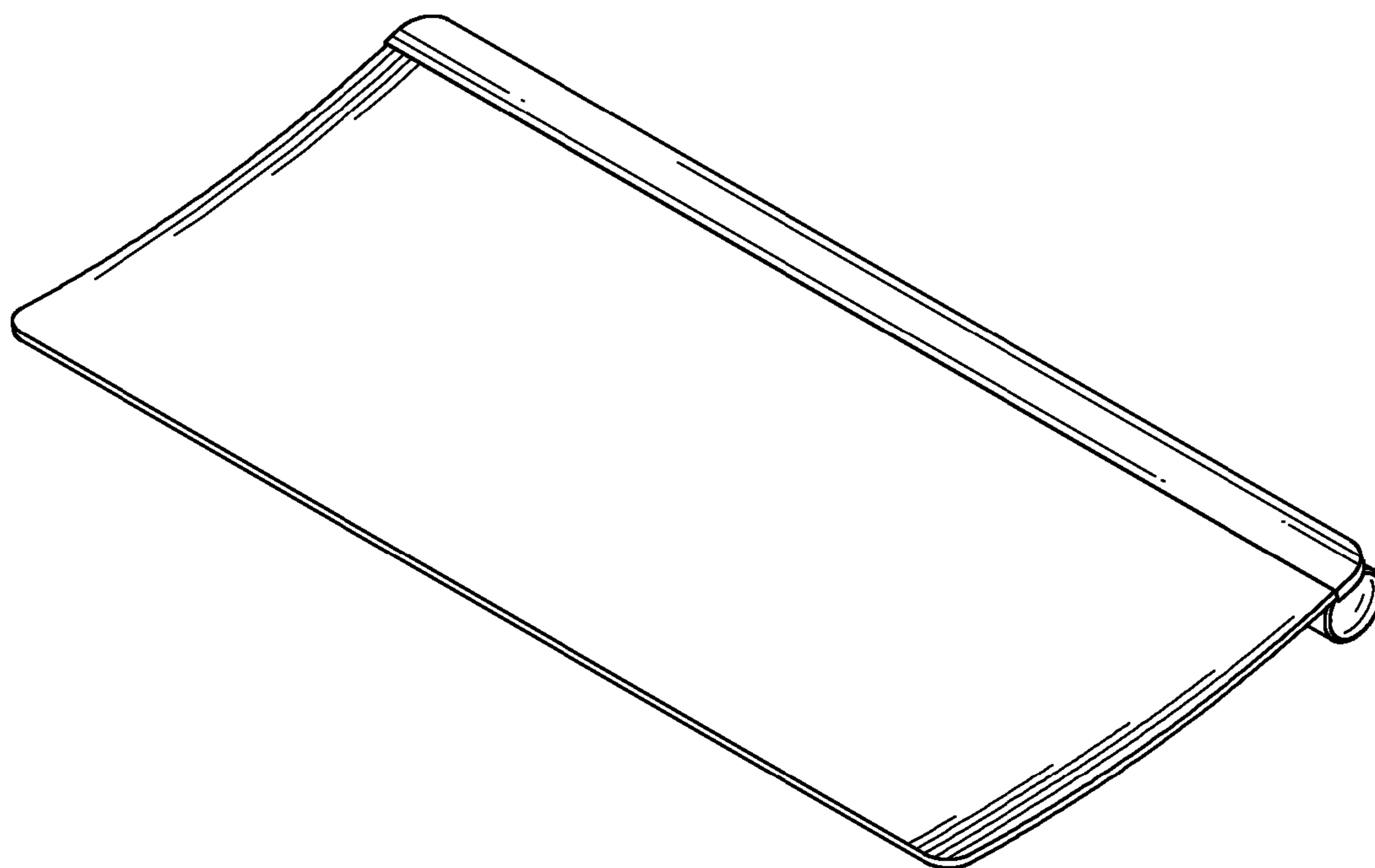


FIG. 1

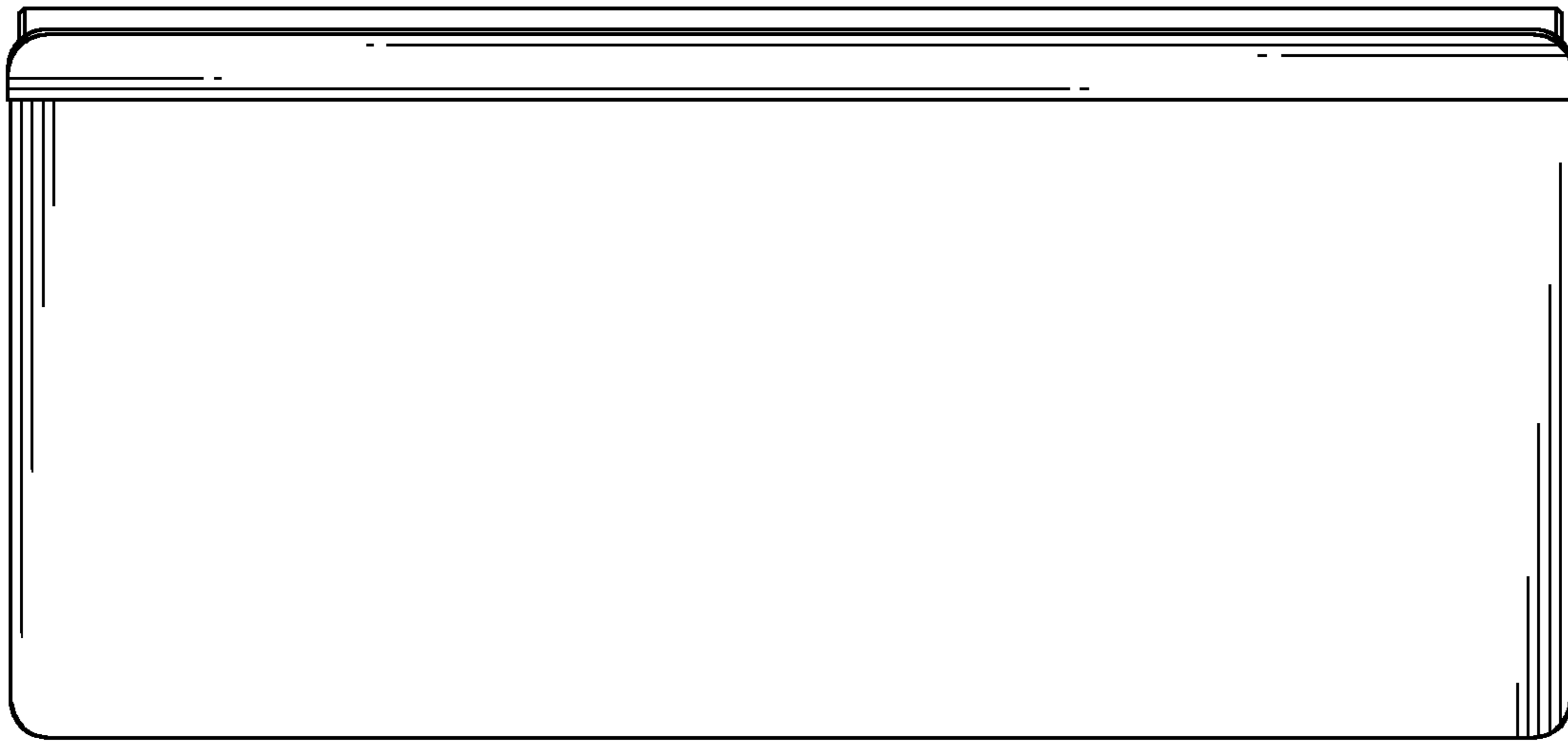


FIG. 2

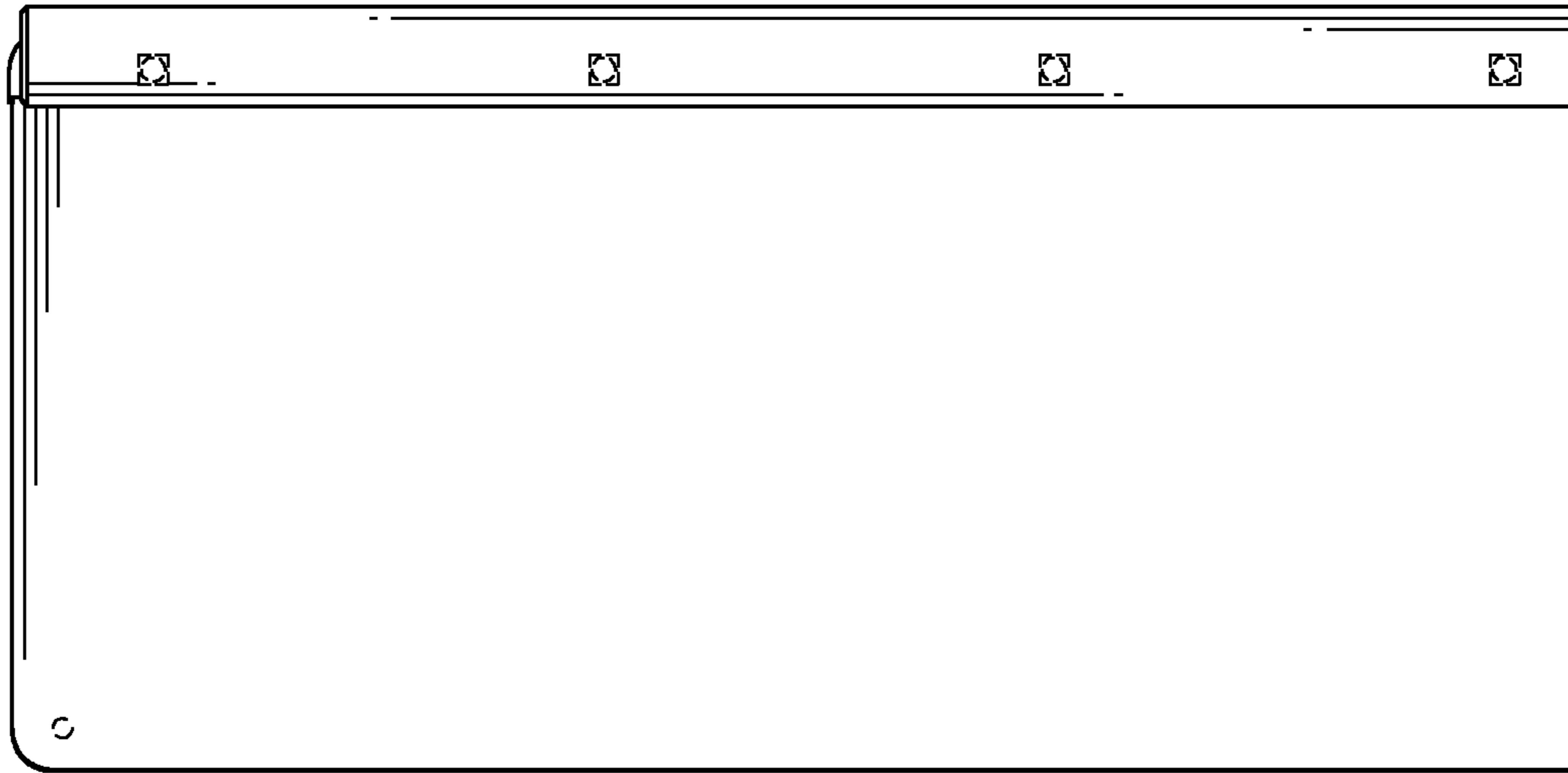


FIG. 3

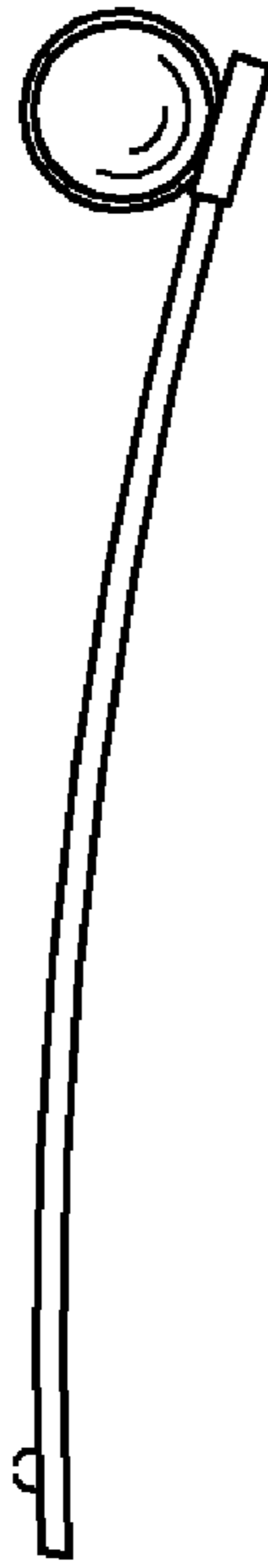


FIG. 4

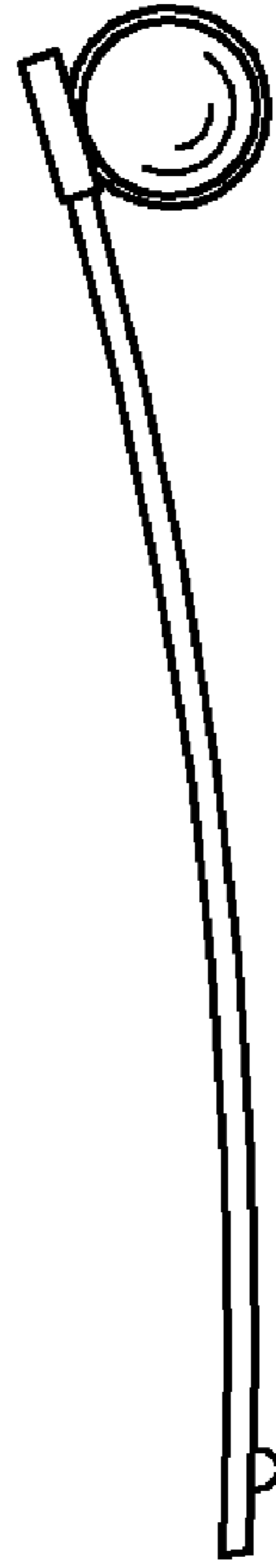


FIG. 5



FIG. 6

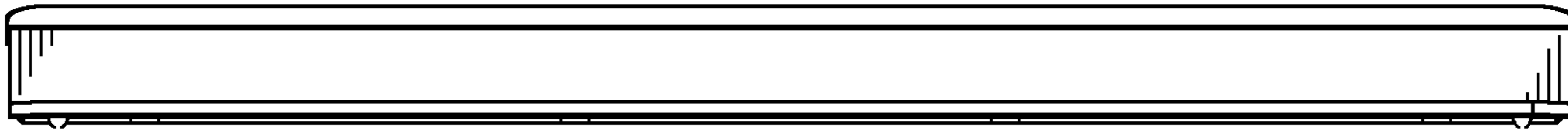


FIG. 7



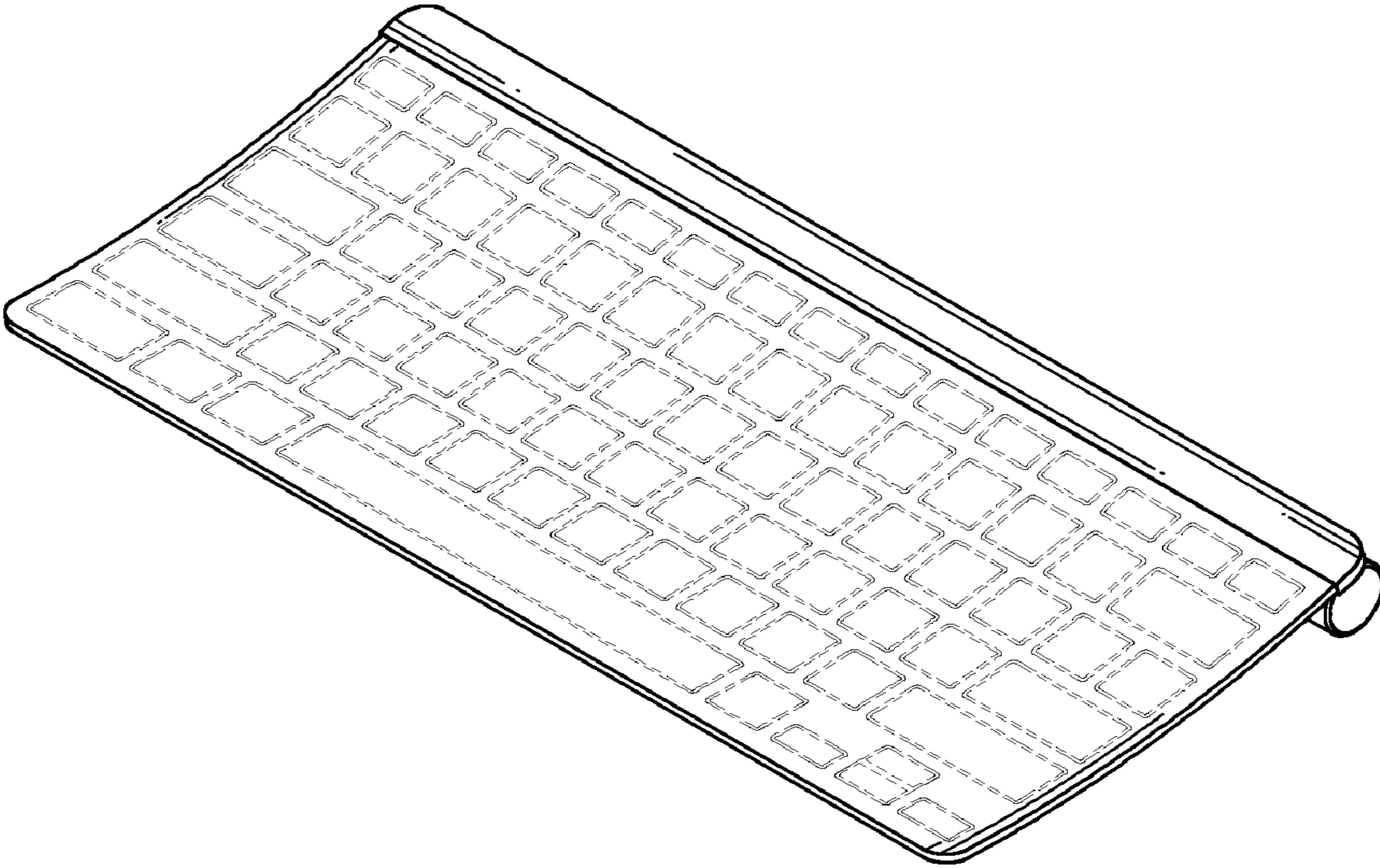


FIG. 8