



US00D630637S

(12) **United States Design Patent**  
**Saelid**

(10) **Patent No.:** **US D630,637 S**

(45) **Date of Patent:** **\*\* Jan. 11, 2011**

(54) **SUPPORT ARM ATTACHMENT FOR A TABLE LEG**

(75) Inventor: **Marianne Saelid**, Ikornnes (NO)

(73) Assignee: **Ekornes ASA**, Ikornness (NO)

(\*\*) Term: **14 Years**

(21) Appl. No.: **29/359,951**

(22) Filed: **Apr. 16, 2010**

(30) **Foreign Application Priority Data**

Oct. 19, 2009 (NO) ..... 20090534

(51) **LOC (9) Cl.** ..... **08-07**

(52) **U.S. Cl.** ..... **D14/452**

(58) **Field of Classification Search** ..... D14/447,  
D14/451, 452, 239, 432, 434, 439, 448, 457,  
D14/251, 253, 224, 224.1, 126, 127, 371,  
D14/373, 374, 375; D8/363, 373, 380; 248/917,  
248/918, 919, 920, 921, 922, 923, 924, 441.1,  
248/460, 122.1, 125.7, 371, 176.1, 176.3,  
248/222.52, 276.1, 324; 361/679.06, 679.04,  
361/679.21, 679.22, 679.56

See application file for complete search history.

(56) **References Cited**

**U.S. PATENT DOCUMENTS**

D197,028 S \* 12/1963 Rubin ..... D8/396  
D275,431 S \* 9/1984 Usab ..... D14/452  
D323,323 S \* 1/1992 Klaebel ..... D14/452

D405,443 S \* 2/1999 Marsh ..... D14/126  
D427,604 S \* 7/2000 Rosen ..... D14/447  
D429,251 S \* 8/2000 Sundry et al. .... D14/457  
D546,459 S \* 7/2007 Banryu ..... D24/186  
D562,331 S \* 2/2008 Li ..... D14/452  
D595,298 S \* 6/2009 Zonshine et al. .... D14/451  
D598,917 S \* 8/2009 Luber ..... D14/375  
D607,844 S \* 1/2010 Feldstein et al. .... D13/168  
2004/0007651 A1 \* 1/2004 Williams et al. .... 248/346.06  
2007/0145210 A1 \* 6/2007 Fawcett et al. .... 248/176.1

\* cited by examiner

*Primary Examiner*—Angela J Lee

(74) *Attorney, Agent, or Firm*—Schneck & Schneck

(57) **CLAIM**

I claim the ornamental design for a support arm attachment for a table leg, as shown.

**DESCRIPTION**

FIG. 1 is an upper front perspective view of a support arm attachment for a table leg of my design;

FIG. 2 is a lower front perspective view thereof;

FIG. 3 is a top view thereof;

FIG. 4 is a bottom view thereof;

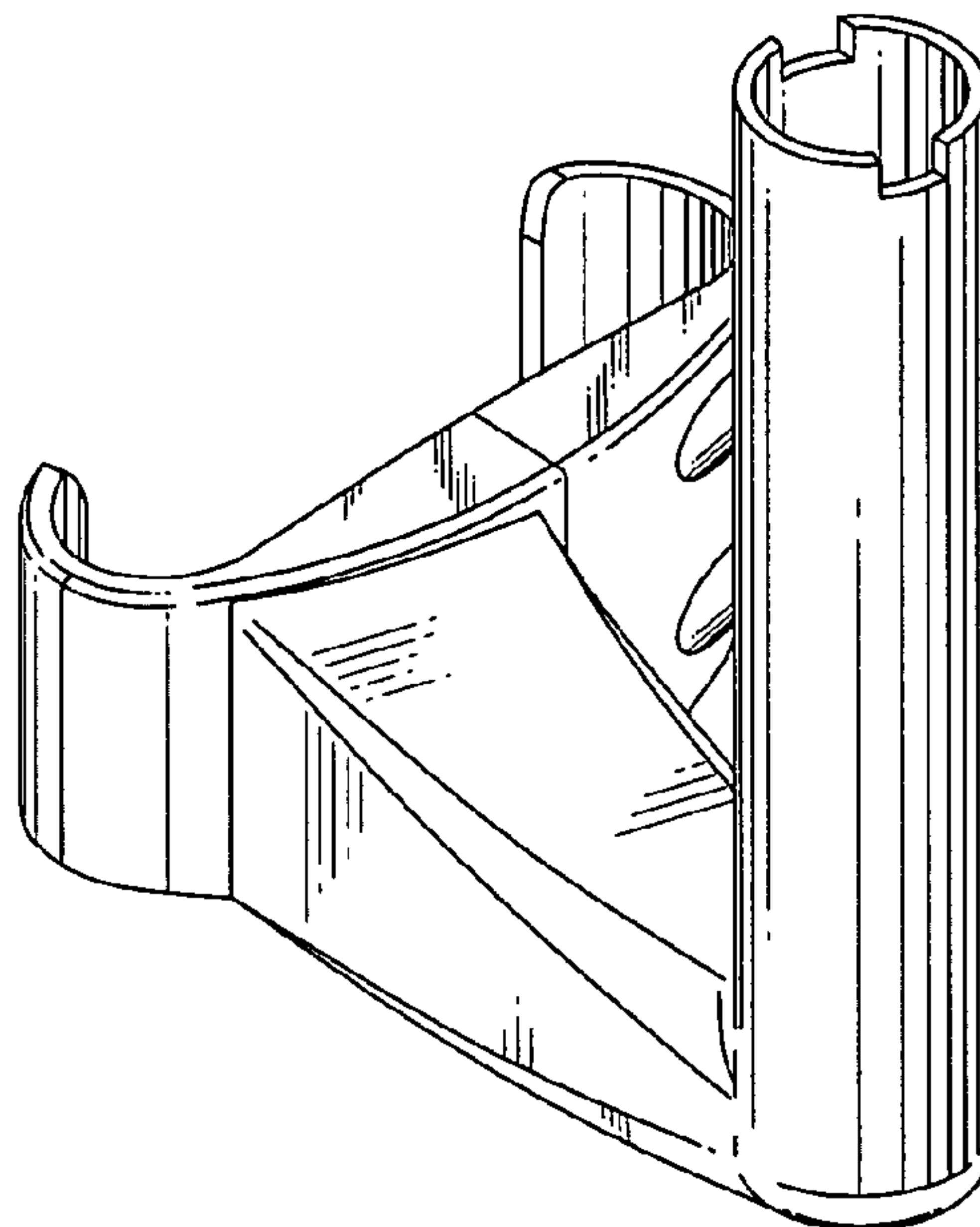
FIG. 5 is a quarter right side view thereof;

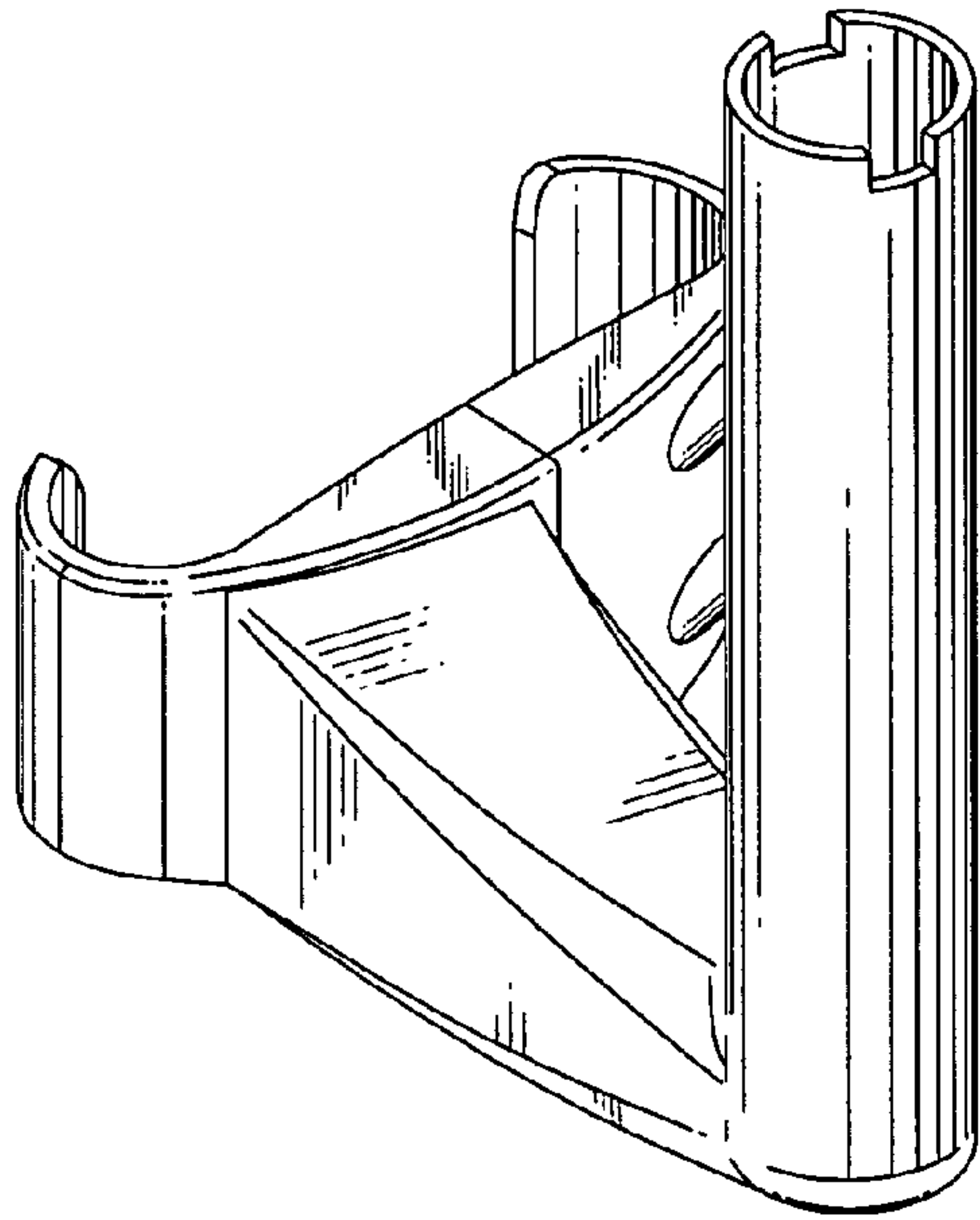
FIG. 6 is a quarter left side view thereof;

FIG. 7 is a full right side view thereof; and,

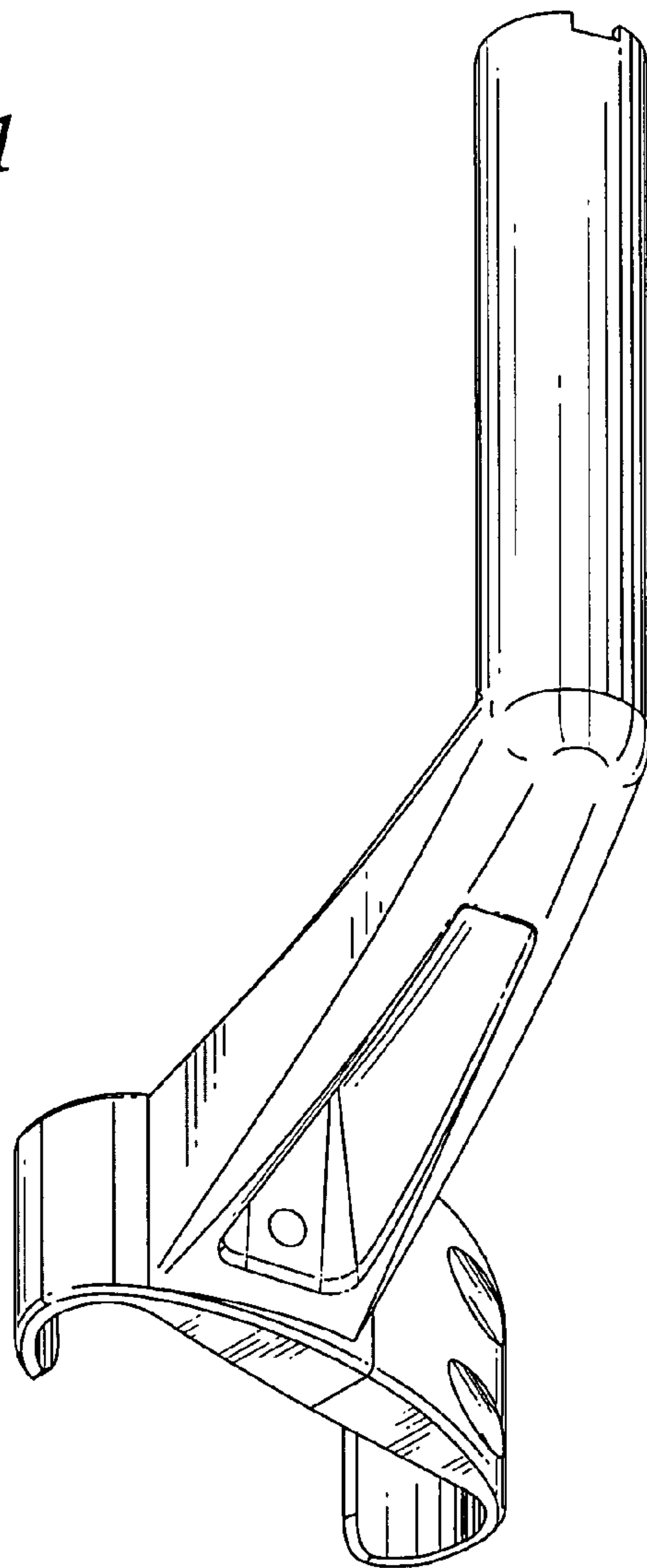
FIG. 8 is a full left side view thereof.

**1 Claim, 4 Drawing Sheets**

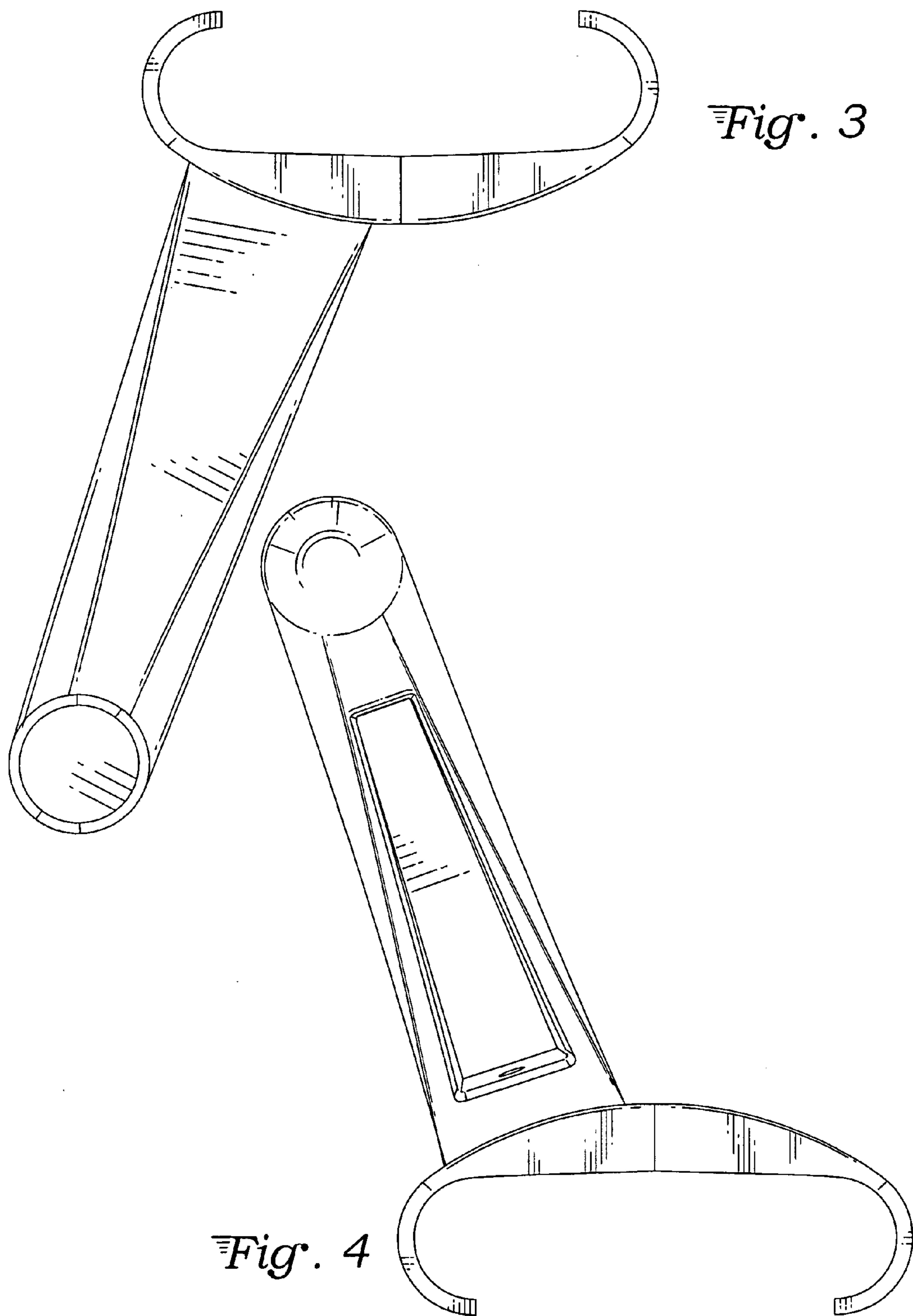




*Fig. 1*

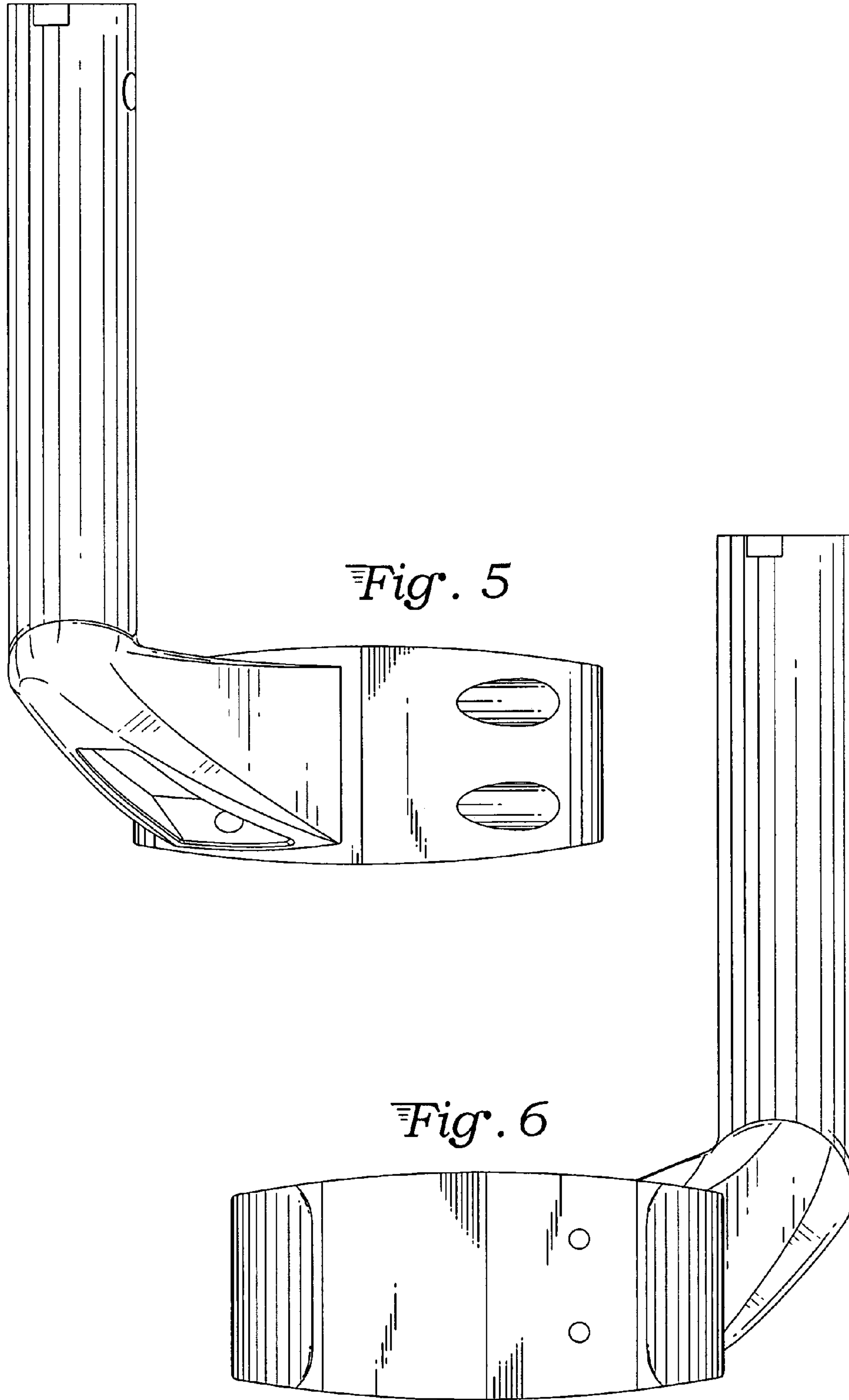


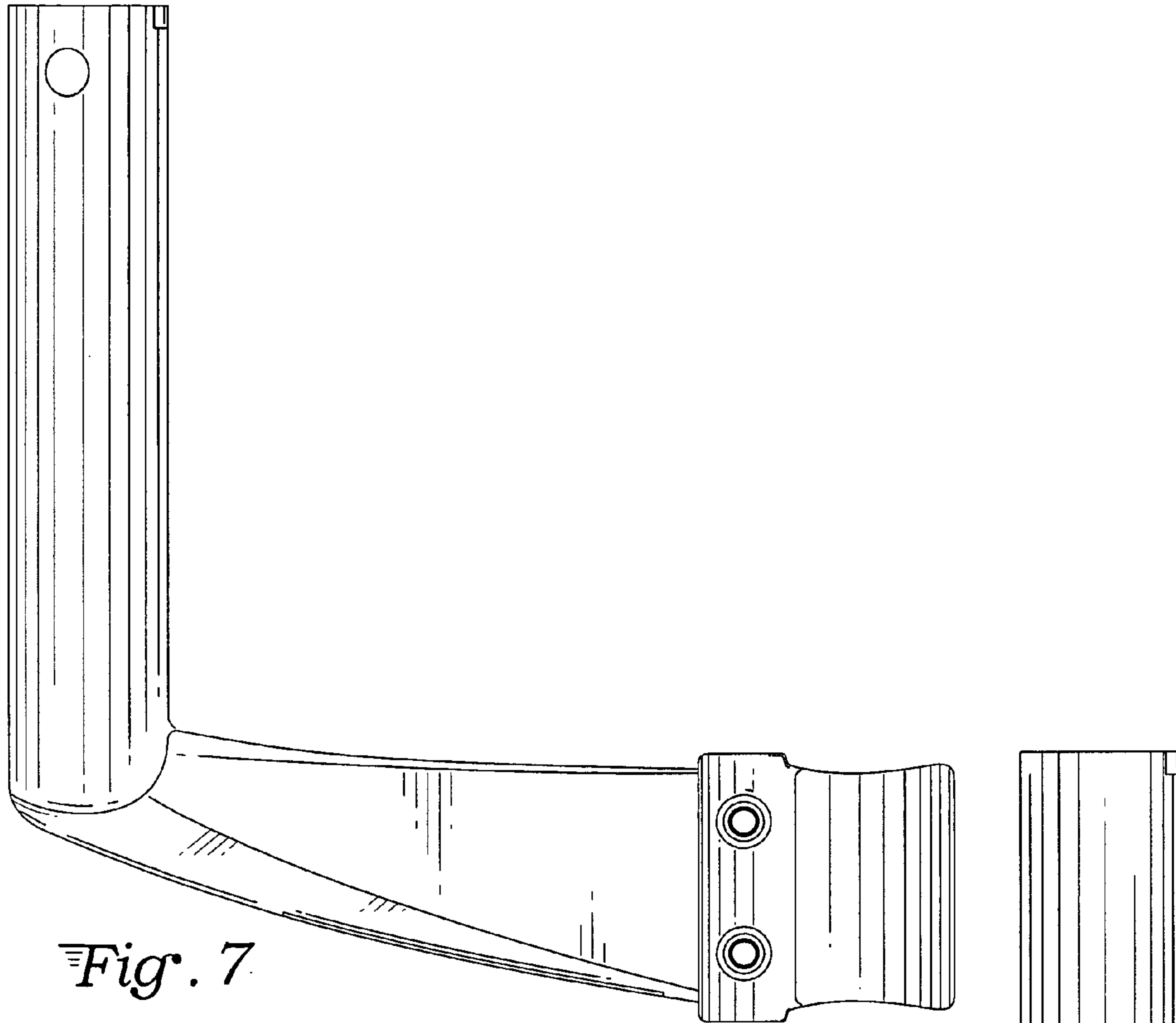
*Fig. 2*



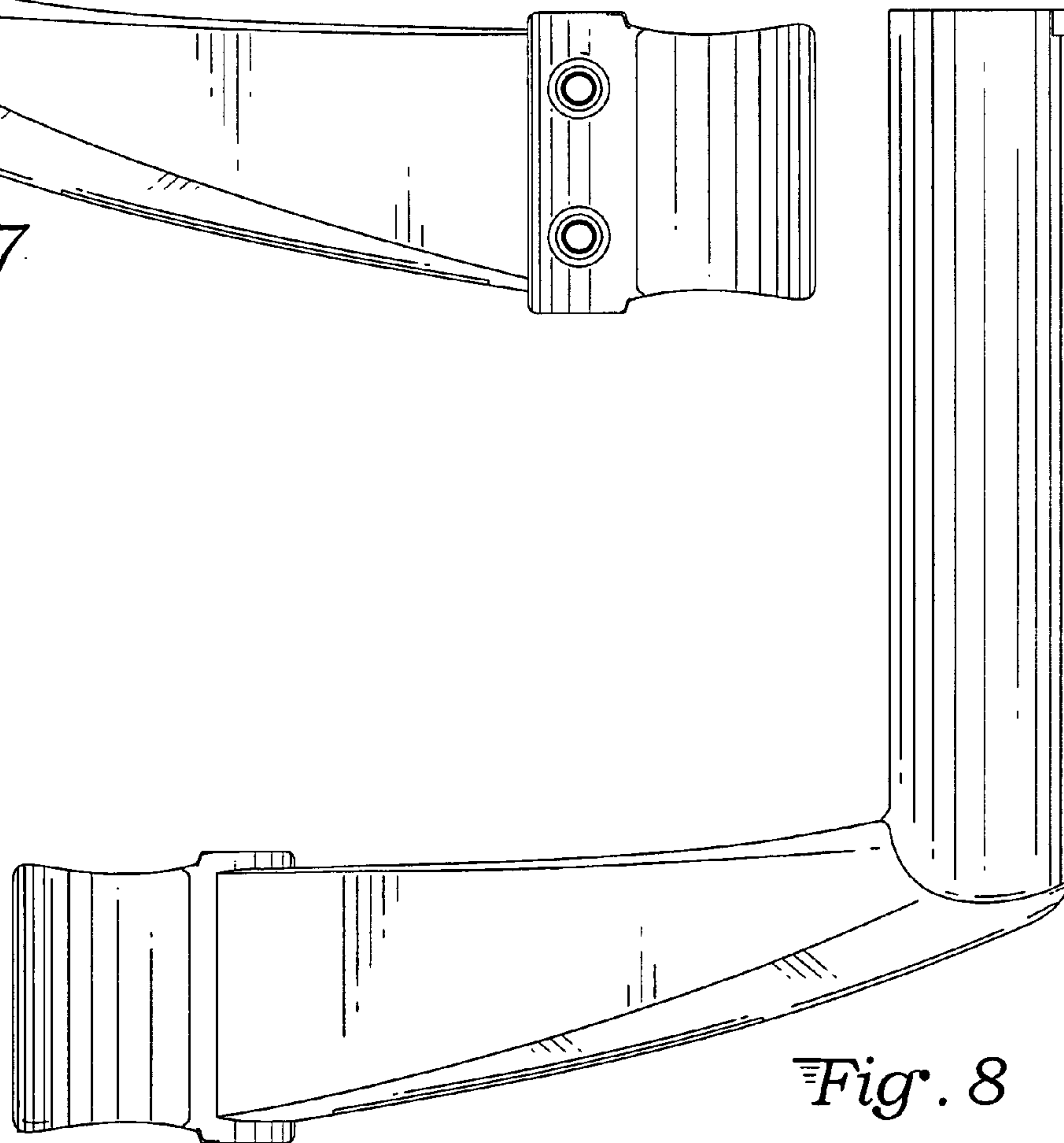
*Fig. 3*

*Fig. 4*





*Fig. 7*



*Fig. 8*