



US00D630636S

(12) **United States Design Patent**
Jeon et al.

(10) **Patent No.:** **US D630,636 S**
(45) **Date of Patent:** **** Jan. 11, 2011**

(54) **LCD MONITOR**

(75) Inventors: **Seong Ahn Jeon**, Seoul (KR); **Jae Neung Jung**, Gyeonggi-do (KR); **Kang Yoon Lee**, Gyeonggi-do (KR)

(73) Assignee: **LG Electronics Inc.**, Seoul (KR)

(**) Term: **14 Years**

(21) Appl. No.: **29/354,671**

(22) Filed: **Jan. 27, 2010**

(30) **Foreign Application Priority Data**

Jul. 28, 2009 (KR) 30-2009-0033581

(51) **LOC (9) Cl.** **14-02**

(52) **U.S. Cl.** **D14/374**

(58) **Field of Classification Search** D14/371-376,
D14/125-129, 336, 337; 248/917-924; 341/12;
345/104, 156, 173, 174, 901-905; 348/180,
348/184, 325, 739, 837; 361/679.01, 679.02,
361/679.21-679.25; 349/1, 2, 11, 58
See application file for complete search history.

(56) **References Cited**

U.S. PATENT DOCUMENTS

D424,068 S * 5/2000 Takemasa D14/374
D424,538 S * 5/2000 Hayashi et al. D14/374

D495,706 S * 9/2004 Lin et al. D14/374
D519,117 S * 4/2006 Lewis D14/374
D533,149 S * 12/2006 Inoue D14/126
D564,990 S * 3/2008 Ueno D14/126
D580,896 S * 11/2008 Niitsu D14/126
D600,695 S * 9/2009 Niitsu et al. D14/371
2003/0058372 A1 * 3/2003 Williams et al. 348/836

* cited by examiner

Primary Examiner—Freda S Nunn

(74) *Attorney, Agent, or Firm*—Birch, Stewart, Kolasch & Birch, LLP

(57) **CLAIM**

The ornamental design for a LCD monitor, as shown and described.

DESCRIPTION

FIG. 1 is a perspective view of a LCD monitor showing our new design;

FIG. 2 is a front elevation view thereof;

FIG. 3 is a rear elevation view thereof;

FIG. 4 is a left-side elevation view thereof;

FIG. 5 is a right-side elevation view thereof;

FIG. 6 is a top plan view thereof; and,

FIG. 7 is a bottom plan view thereof.

1 Claim, 4 Drawing Sheets

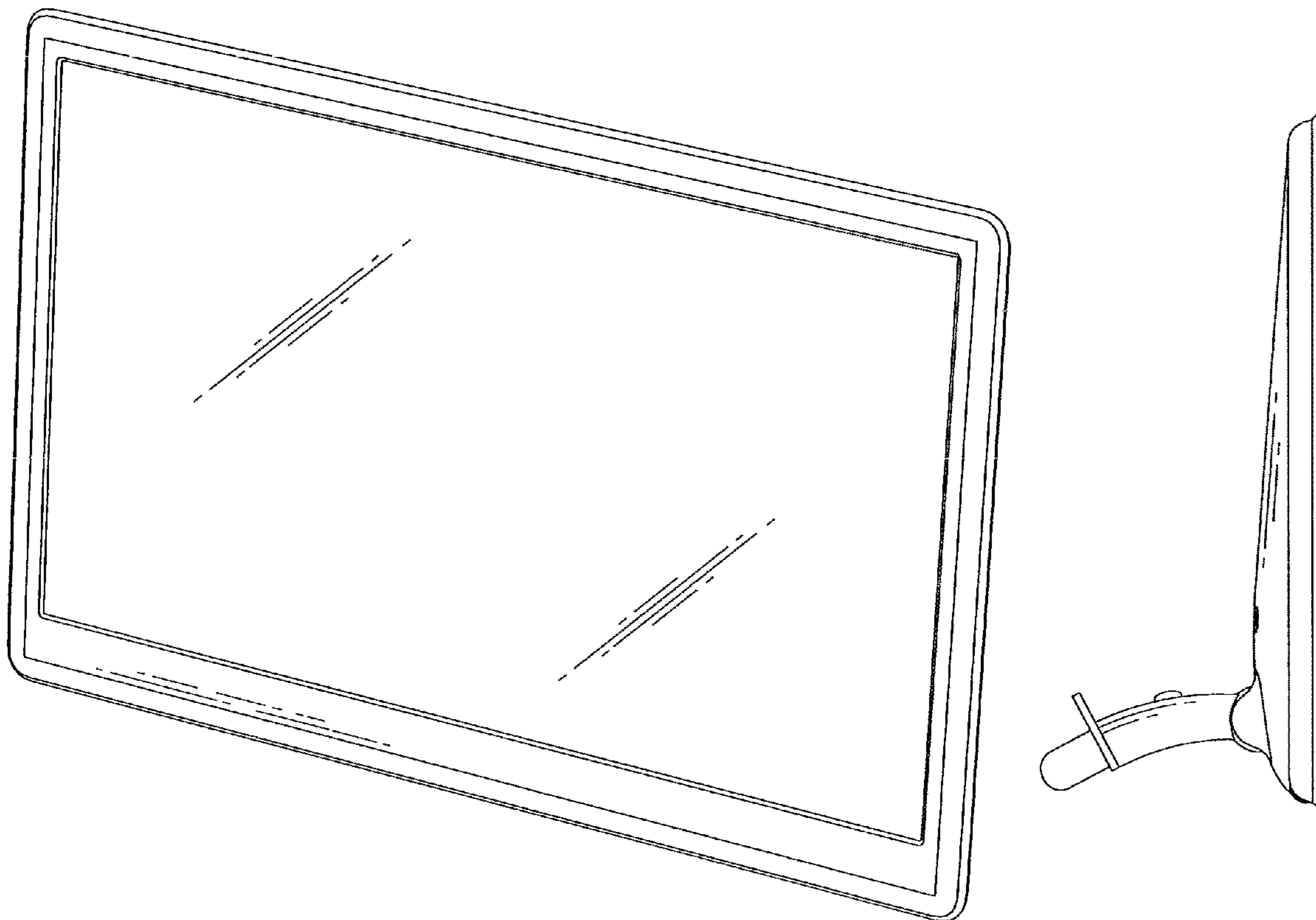


FIG. 1

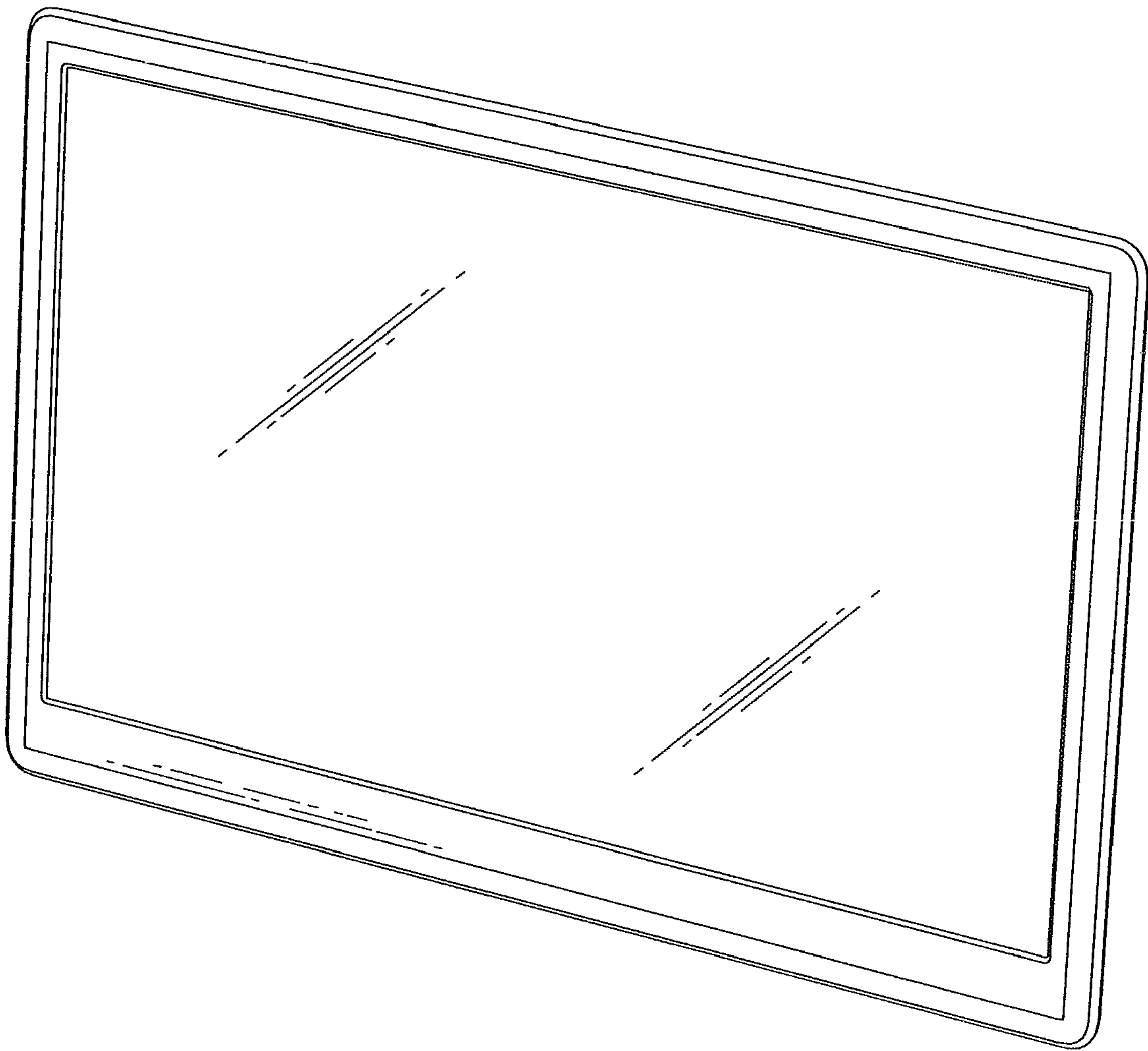


FIG. 2

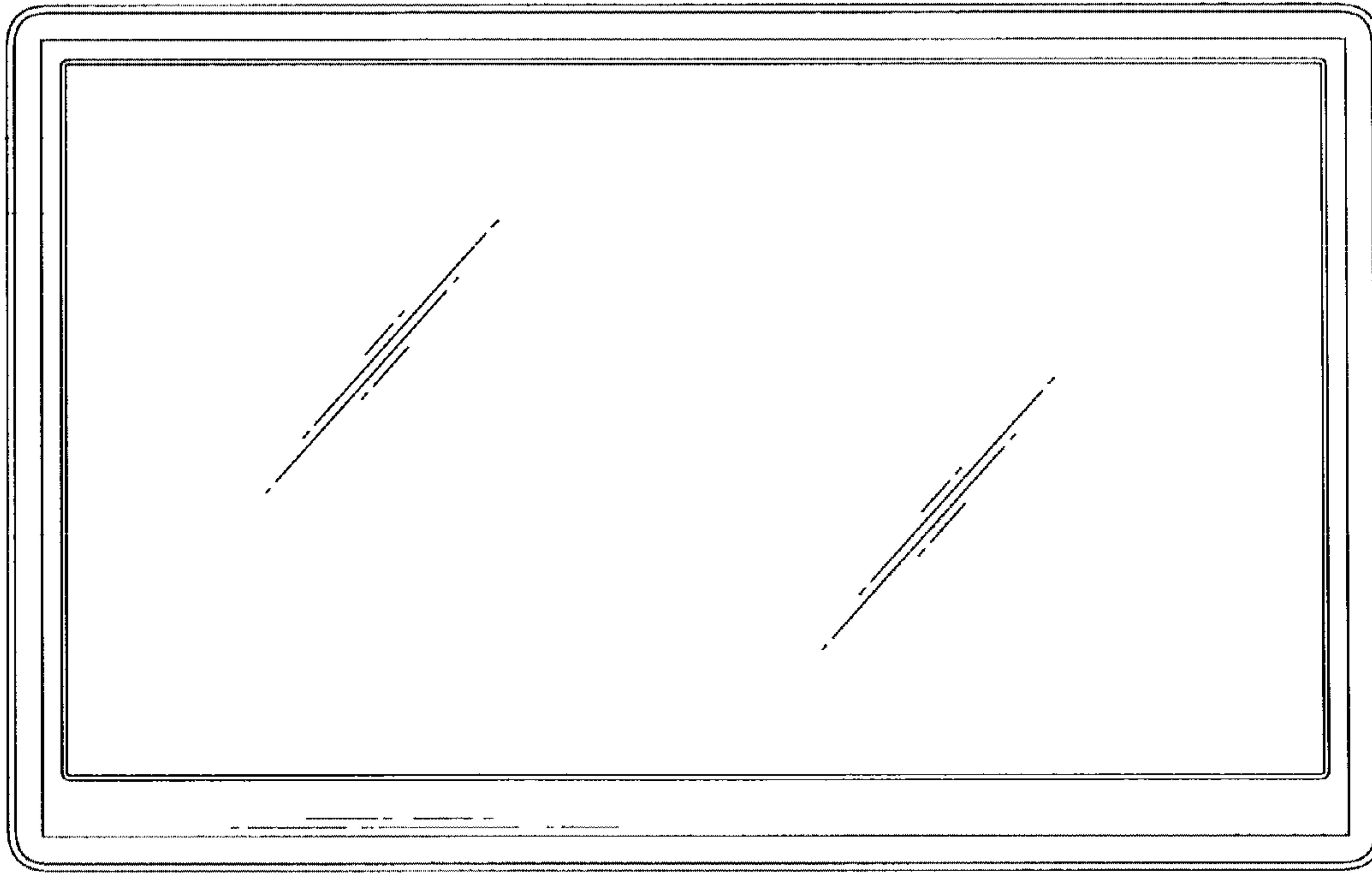


FIG. 3

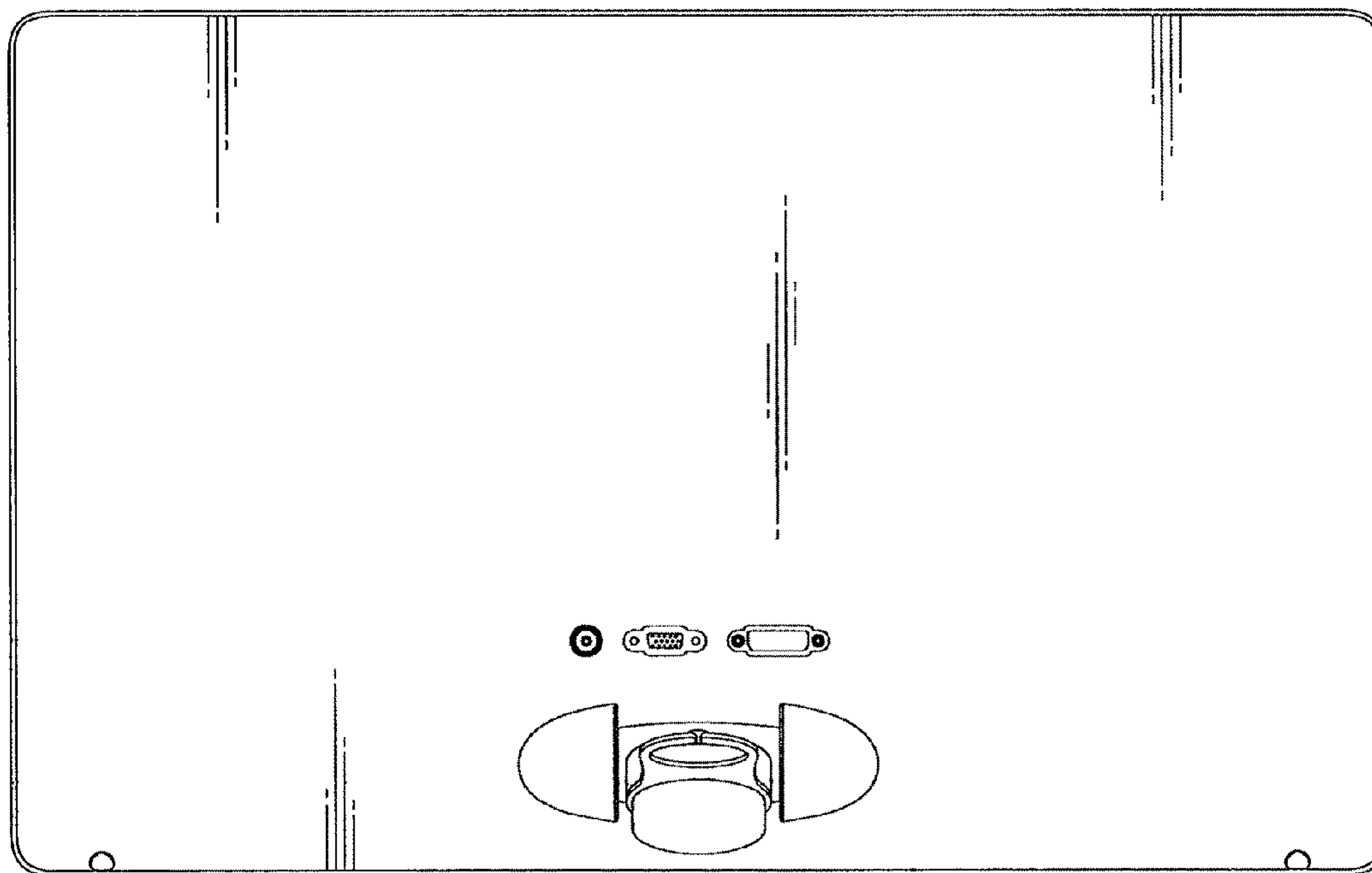


FIG. 4

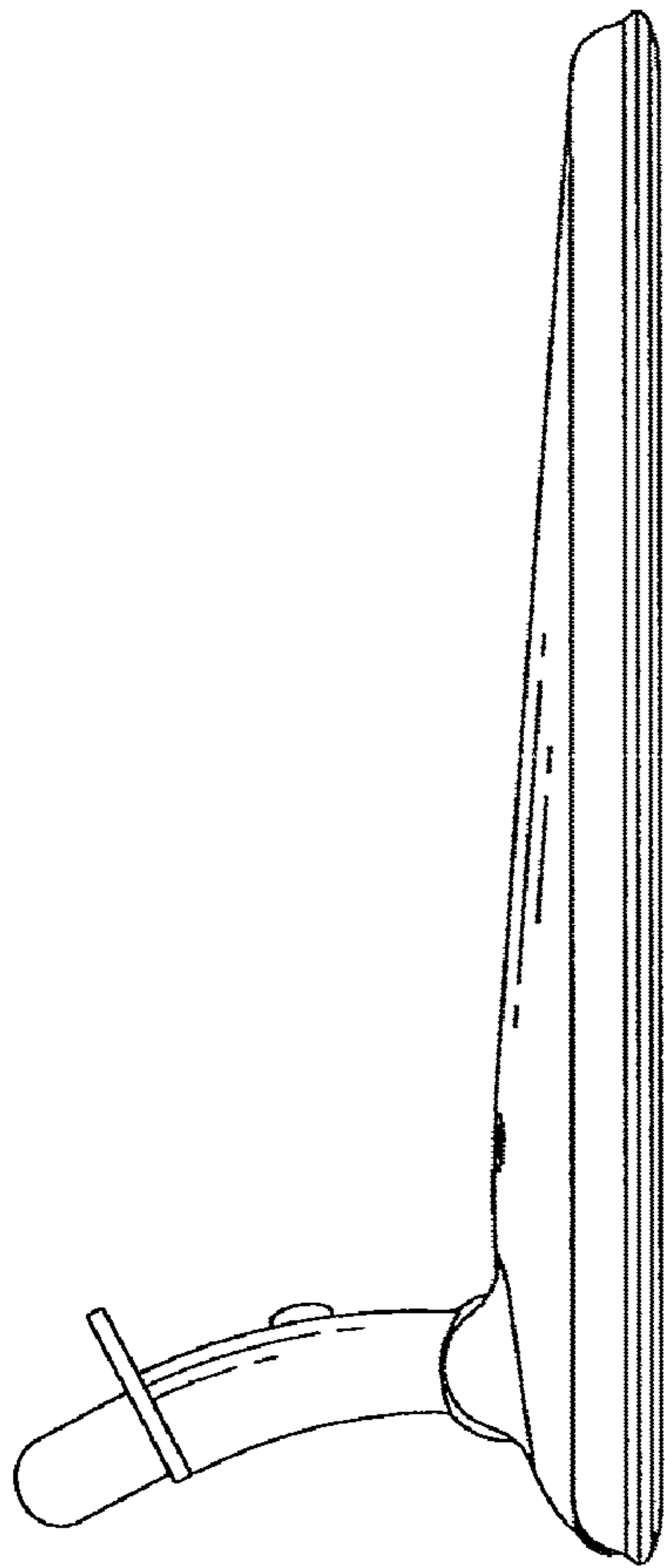


FIG. 5

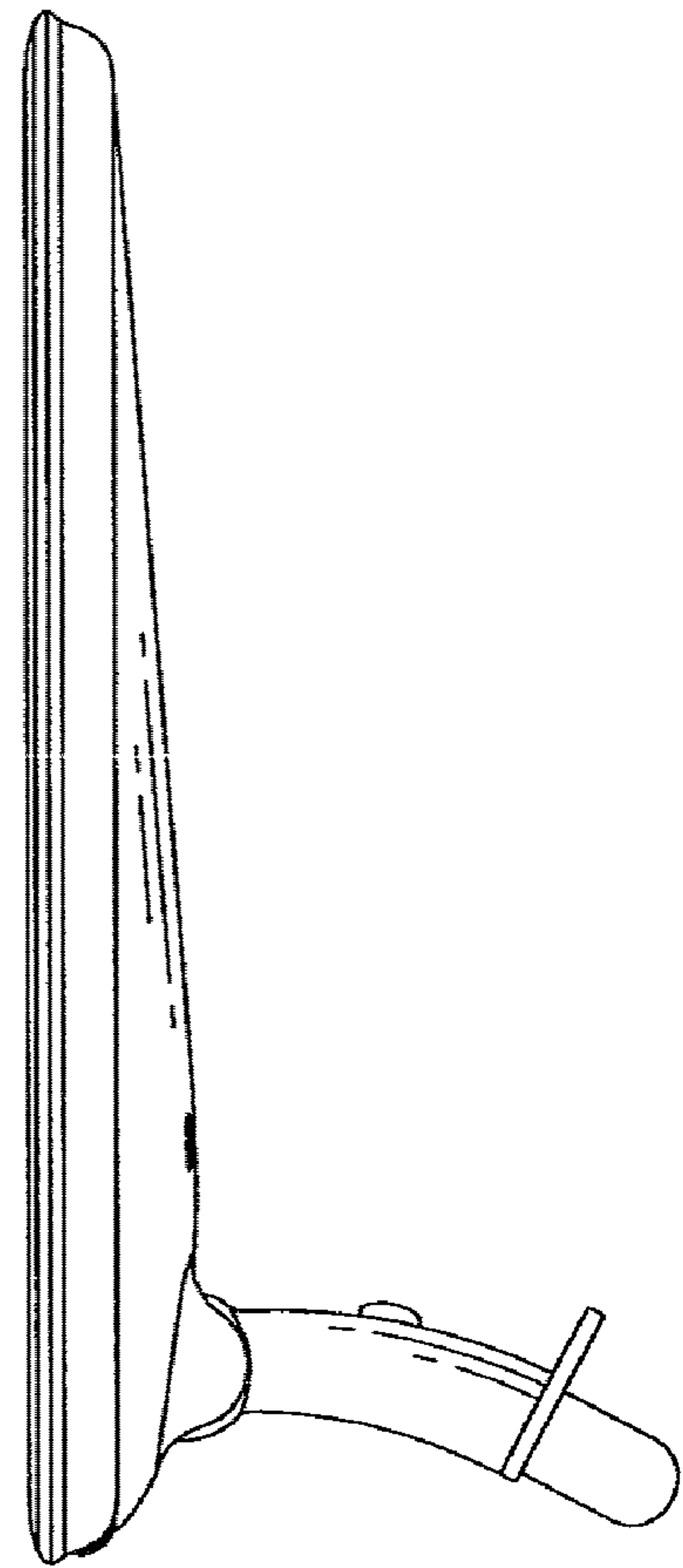


FIG.6

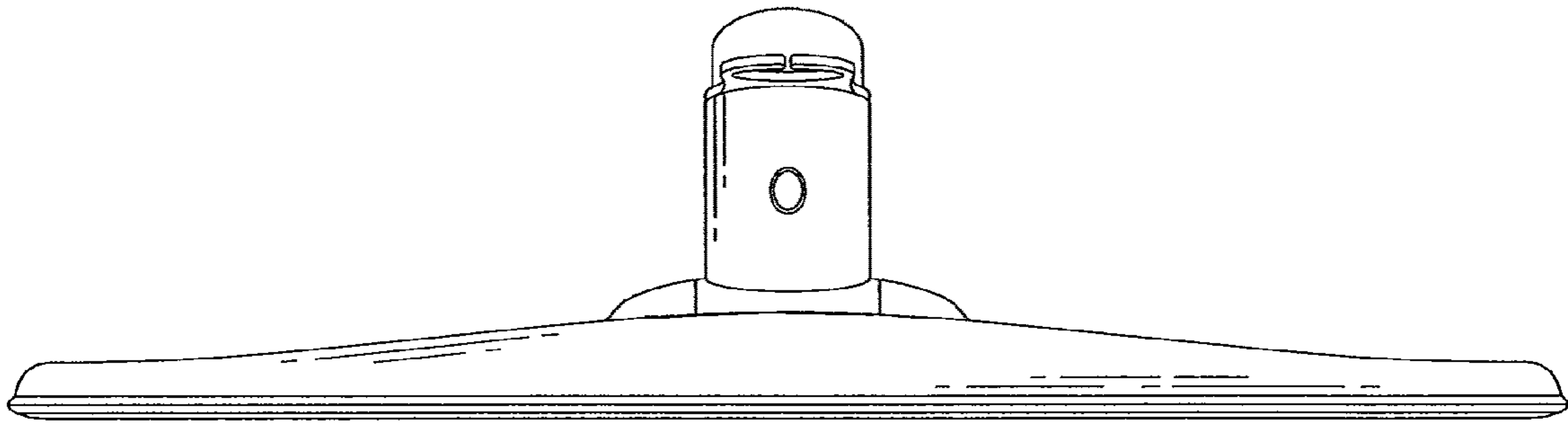


FIG.7

