



US00D630635S

(12) **United States Design Patent**
Chiu

(10) **Patent No.:** **US D630,635 S**
(45) **Date of Patent:** **** Jan. 11, 2011**

(54) **DISPLAY**

(75) Inventor: **Yi-Chung Chiu**, Taoyuan (TW)

(73) Assignee: **Hannspree, Inc.**, Taipei County (TW)

(**) Term: **14 Years**

(21) Appl. No.: **29/362,956**

(22) Filed: **Jun. 2, 2010**

(51) **LOC (9) Cl.** **14-02**

(52) **U.S. Cl.** **D14/371**

(58) **Field of Classification Search** D14/371-376,
D14/125-129; 345/104, 156, 168, 173, 87,
345/1.1, 901-905; 341/12; 348/180, 184,
348/325, 739; 349/1, 2, 11, 58; 248/917-924,
248/278.1; 361/679.23, 679.08; D6/300,
D6/303

See application file for complete search history.

(56) **References Cited**

U.S. PATENT DOCUMENTS

5,564,209 A * 10/1996 Zagnoli 40/594
D476,004 S * 6/2003 Olson et al. D14/375
D479,237 S * 9/2003 Juan D14/375

D535,991 S * 1/2007 Chiu D14/371
D538,801 S * 3/2007 Taylor D14/341
D602,935 S * 10/2009 Kettula et al. D14/371
2005/0048457 A1 * 3/2005 Ferrigno et al. 434/308

* cited by examiner

Primary Examiner—Freda S Nunn

(74) *Attorney, Agent, or Firm*—Schmeiser, Olsen & Watts
LLP

(57) **CLAIM**

The ornamental design for a display, as shown and described.

DESCRIPTION

FIG. 1 is a front perspective view of display showing my new design;

FIG. 2 is a front elevational view thereof;

FIG. 3 is a rear elevational view thereof;

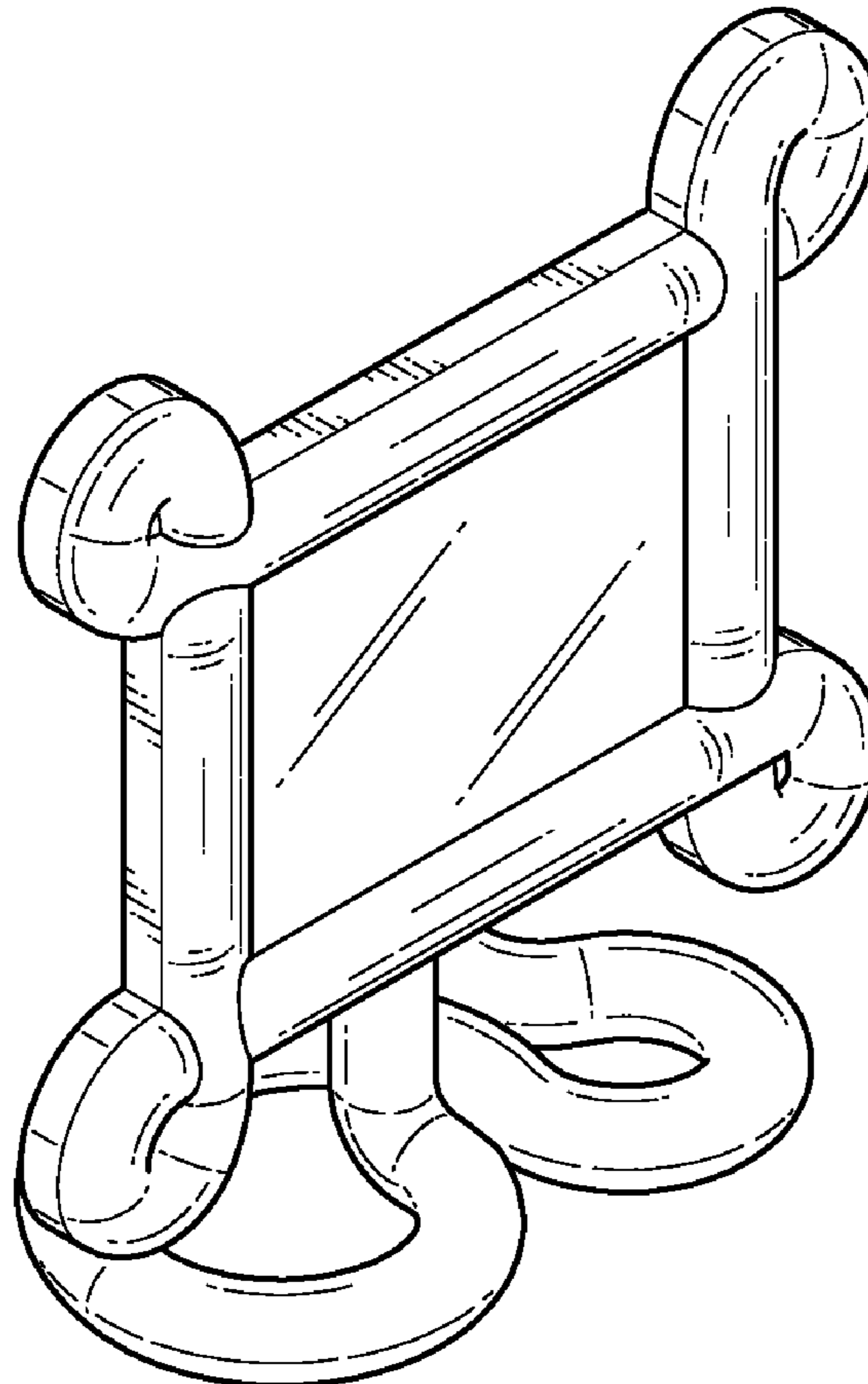
FIG. 4 is a left side elevational view thereof;

FIG. 5 is a right side elevational view thereof;

FIG. 6 is a top plan view thereof; and,

FIG. 7 is a bottom plan view thereof.

1 Claim, 3 Drawing Sheets



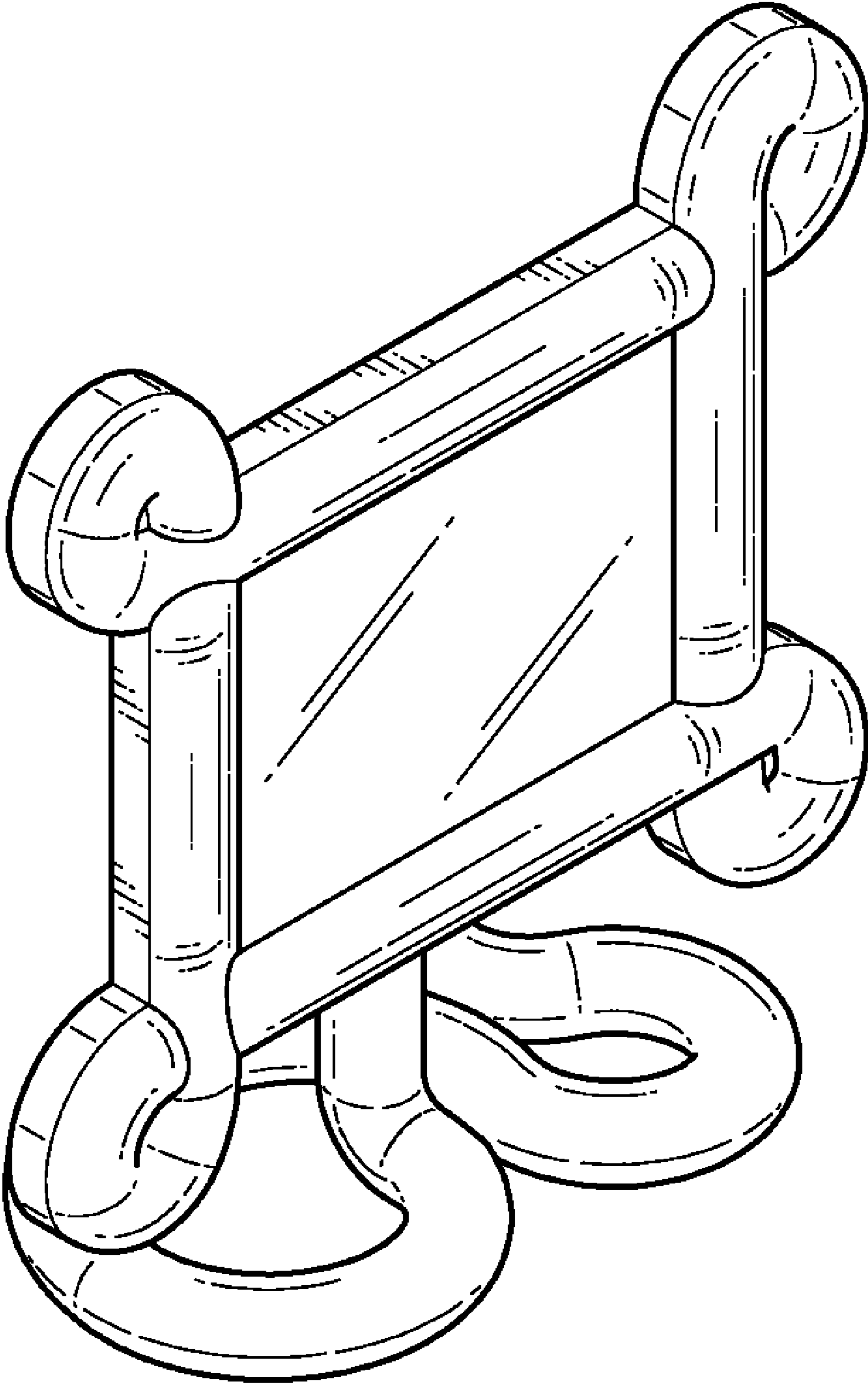


FIG. 1

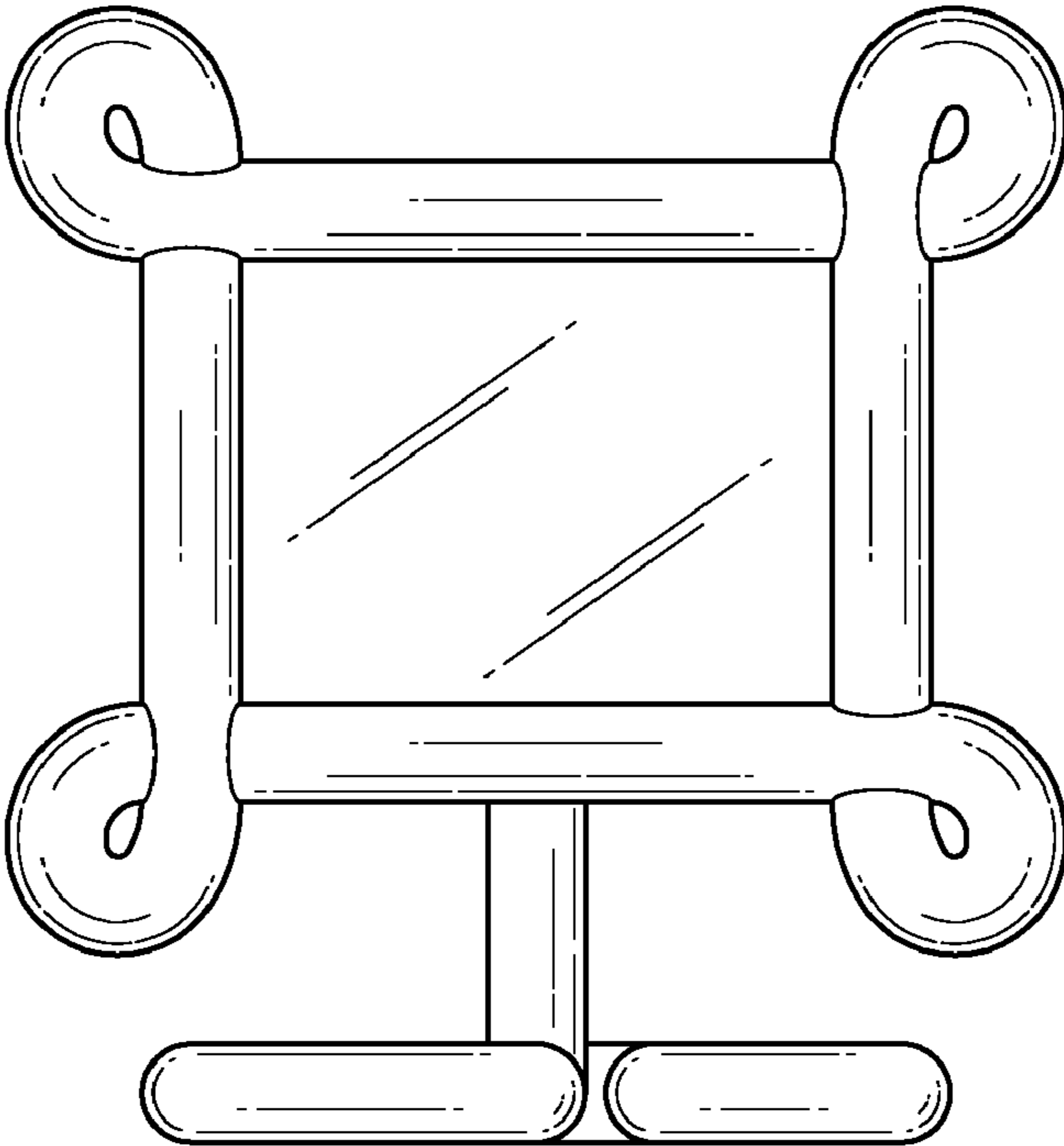


FIG. 2

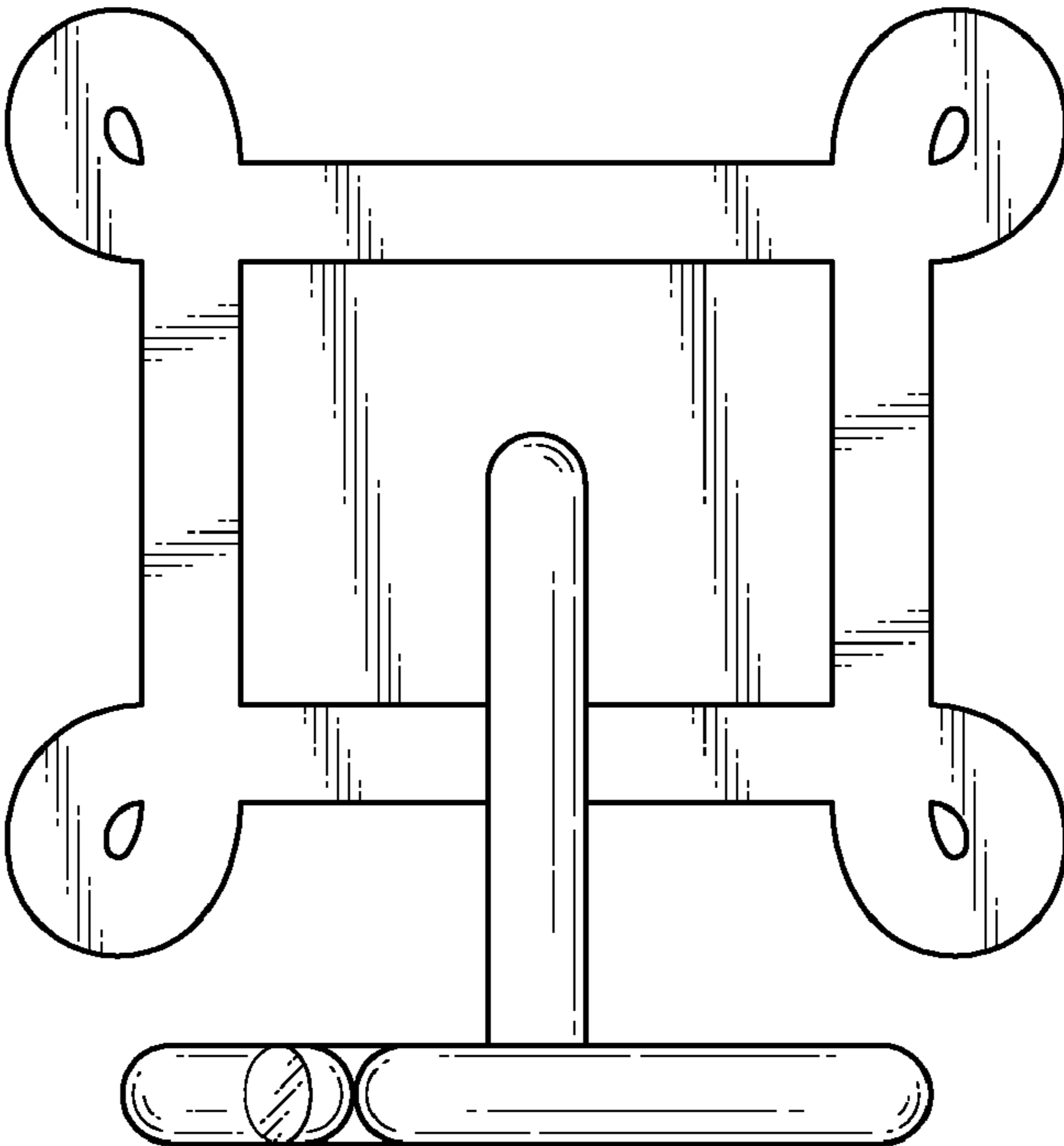


FIG. 3

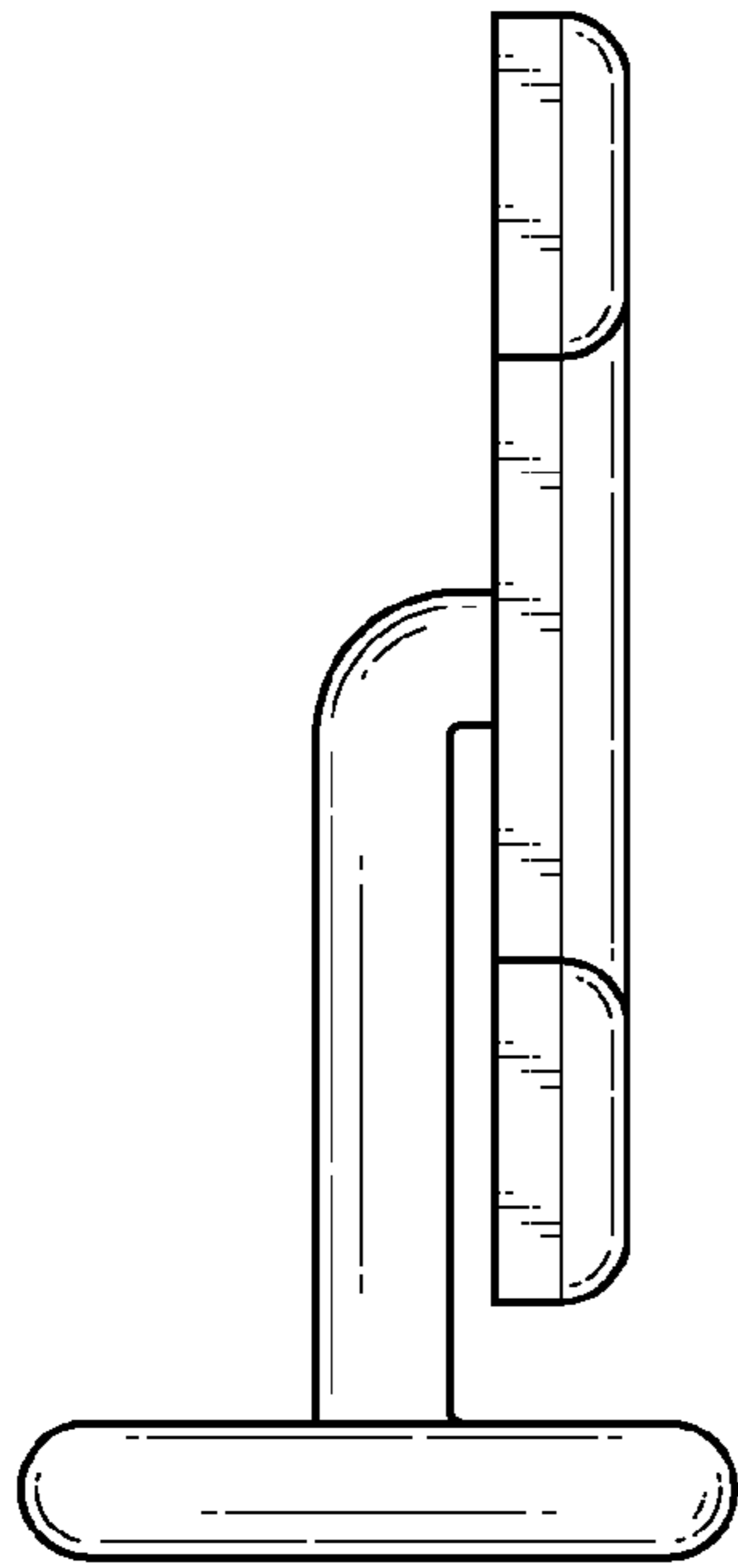


FIG. 4

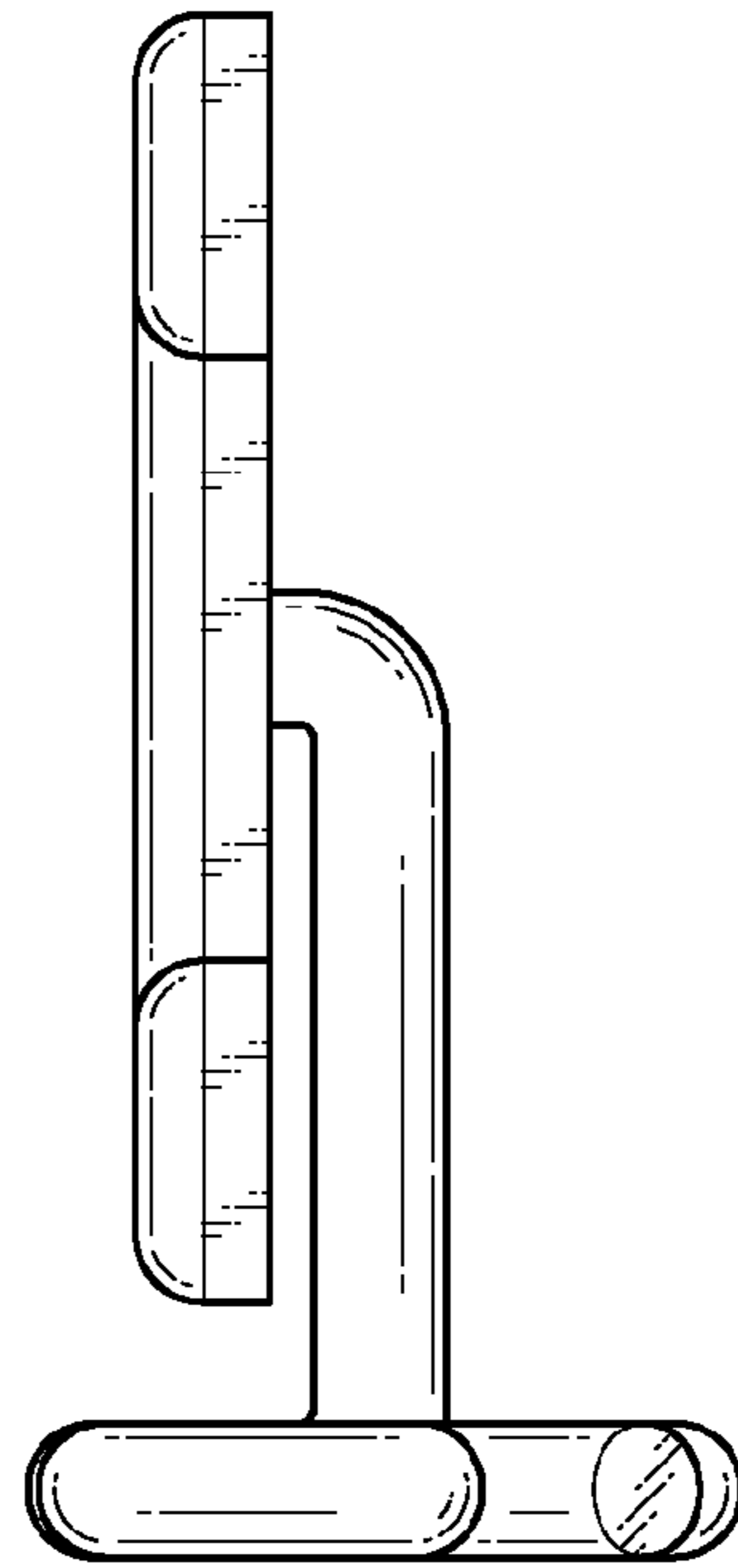


FIG. 5

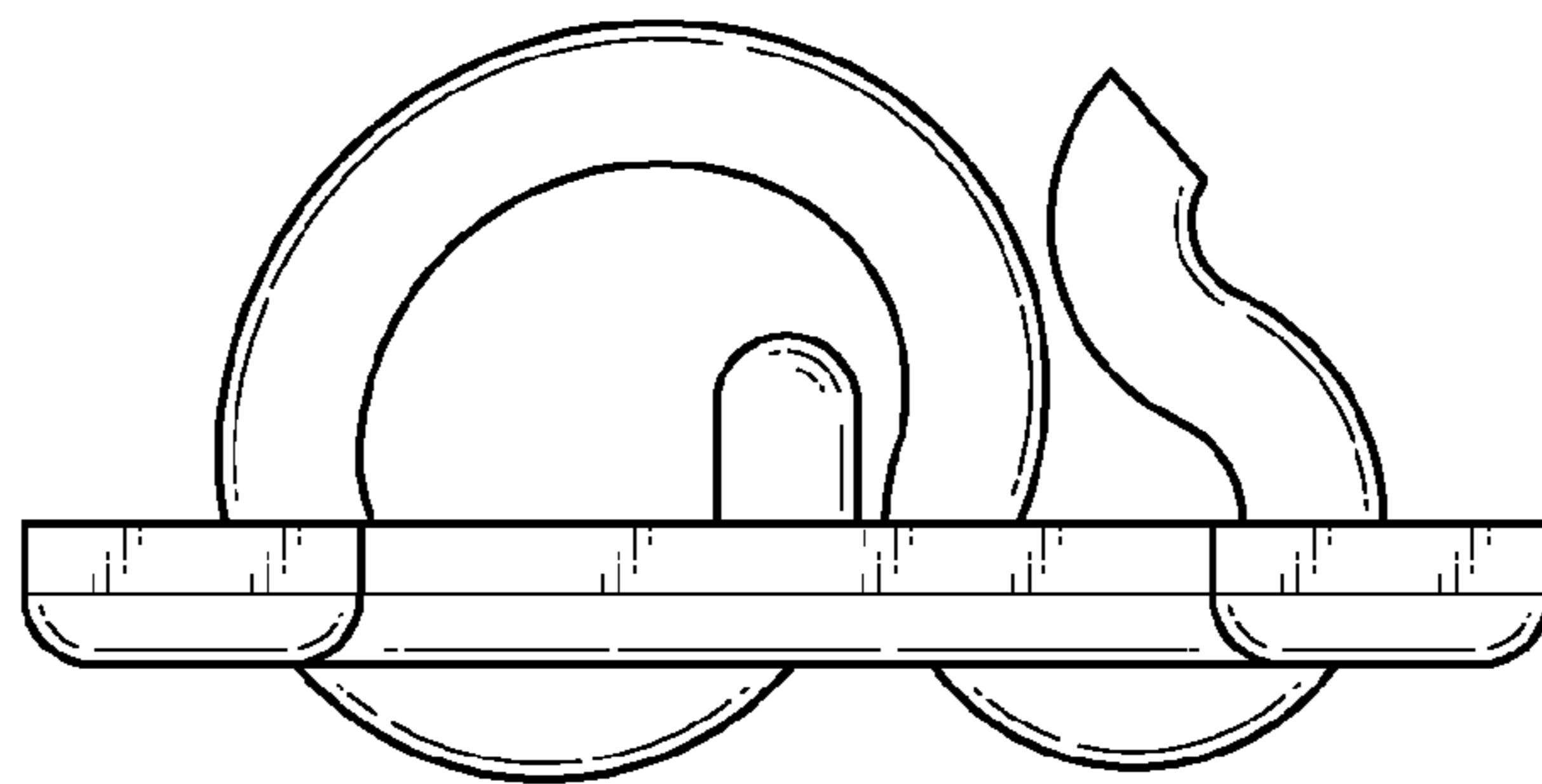


FIG. 6

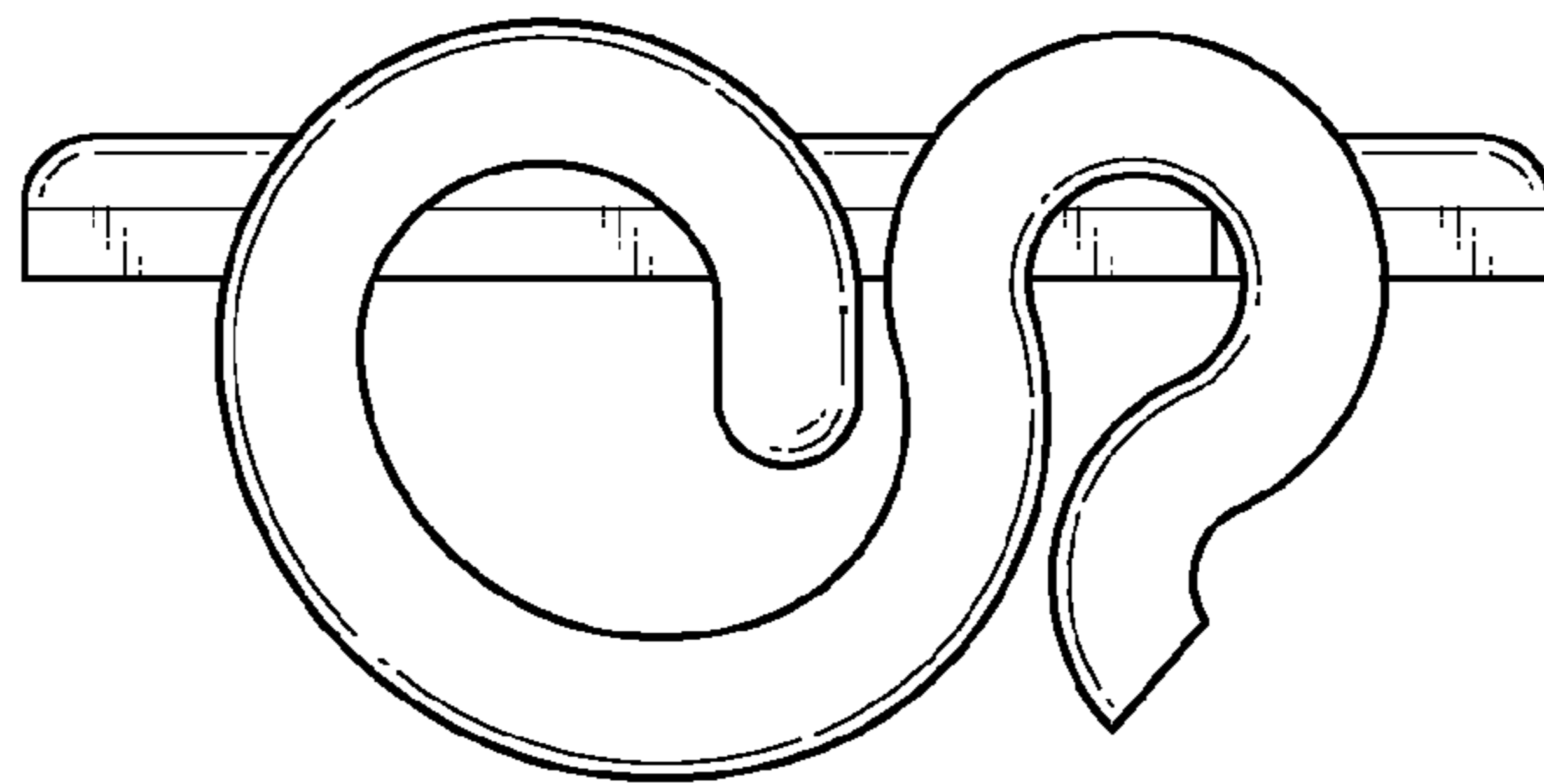


FIG. 7