



US00D630632S

(12) **United States Design Patent**
Puls et al.

(10) **Patent No.:** **US D630,632 S**
(45) **Date of Patent:** **** Jan. 11, 2011**

(54) **ACCESS DEVICE**

D558,790 S * 1/2008 Yu et al. D14/496
D598,449 S * 8/2009 Landry et al. D14/358

(75) Inventors: **Carsten Puls**, San Mateo, CA (US);
Kevin Strohmeyer, Lafayette, CA (US)

(73) Assignee: **nComputing Inc.**, Redwood City, CA
(US)

(**) Term: **14 Years**

(21) Appl. No.: **29/360,371**

(22) Filed: **Apr. 23, 2010**

(51) **LOC (9) Cl.** **14-02**

(52) **U.S. Cl.** **D14/356; D14/240**

(58) **Field of Classification Search** D14/300–302,
D14/313, 314, 341, 348–370, 383, 385, 432,
D14/435, 436, 496, 125, 135, 137, 155, 167,
D14/168, 214, 230, 231, 233, 235, 237, 240–242,
D14/299; D3/201, 273; D18/56; D10/65,
D10/75, 78; D13/103, 149, 162, 184, 199;
361/679.31–679.45, 752; 711/100, 115

See application file for complete search history.

(56) **References Cited**

U.S. PATENT DOCUMENTS

D226,565 S *	3/1973	Klepa et al.	D14/349
D237,742 S *	11/1975	Miyamoto	D14/168
D276,527 S *	11/1984	Flanigan	D14/435
D324,685 S *	3/1992	Strohbeen	D14/214
D375,297 S *	11/1996	Casarez et al.	D14/358
D420,362 S *	2/2000	Pedraza et al.	D14/242
D470,482 S *	2/2003	Ikeda	D14/230
D489,720 S *	5/2004	Sasaki	D14/358
D491,563 S *	6/2004	Sato et al.	D14/433
D491,613 S *	6/2004	Kawabata	D21/333
D508,899 S *	8/2005	Suzuki	D14/125
D511,513 S *	11/2005	Nilsen	D14/240
D515,075 S *	2/2006	Kusanagi et al.	D14/230
D533,148 S *	12/2006	Hong	D14/125
D537,445 S *	2/2007	Bousfield	D14/383
D540,318 S *	4/2007	Wang	D14/300

(Continued)

OTHER PUBLICATIONS

L300 Ethernet Virtual Desktop, [online], [retrieved on Sep. 30, 2010].
Retrieved from the Internet <URL: <http://www.ncomputing.com/products-overview>>.*

Primary Examiner—Cathron C Brooks

Assistant Examiner—Karen E Kearney

(74) *Attorney, Agent, or Firm*—Schwegman, Lundberg & Woessner, P.A.

(57) **CLAIM**

The ornamental design for an access device, as shown and described.

DESCRIPTION

FIG. 1 is a front view of an access device, according an example embodiment and showing our new design;

FIG. 2 is a rear view of the access device, according to the example embodiment;

FIG. 3 is a left-side view of the access device, according to the example embodiment;

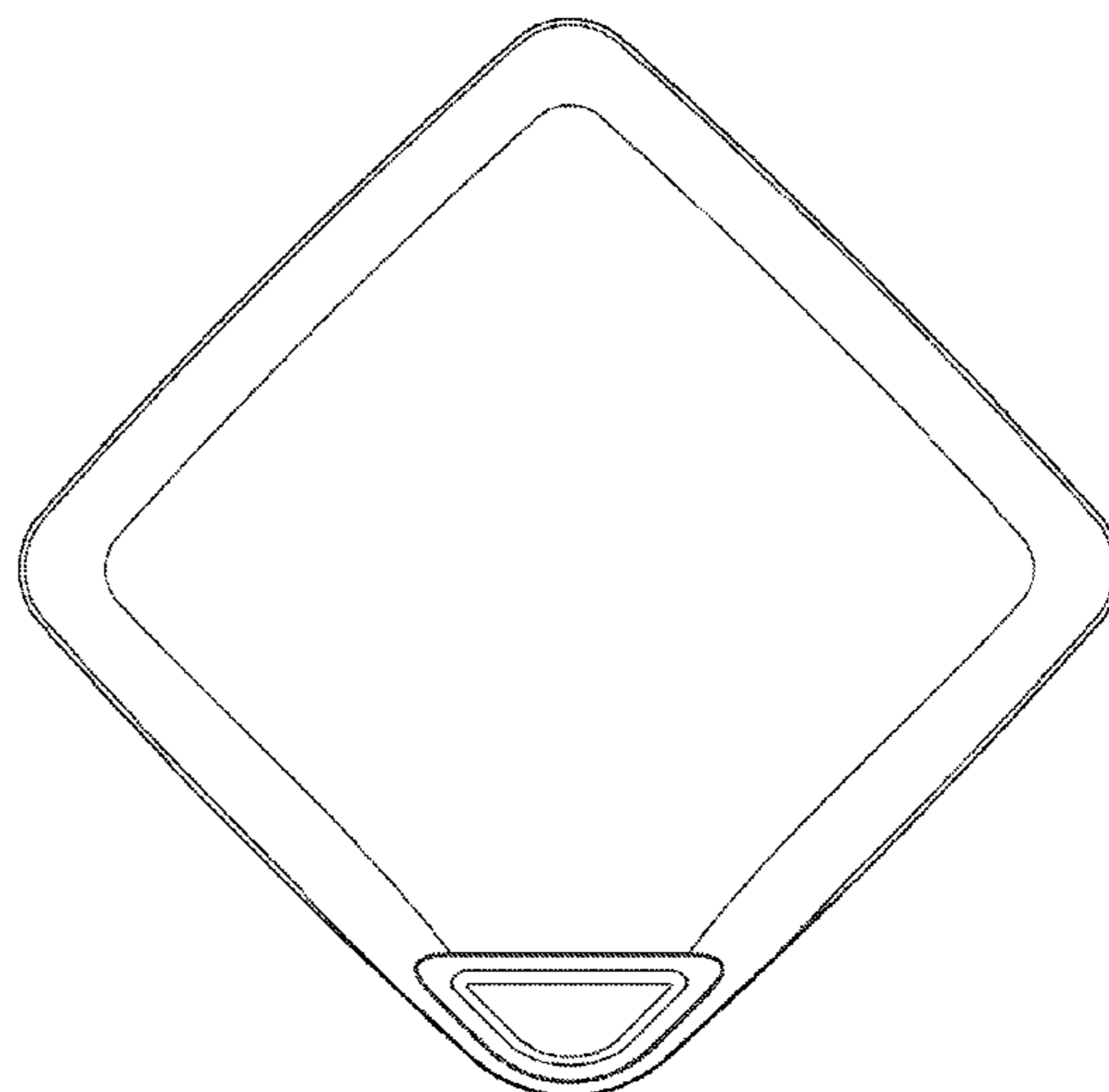
FIG. 4 is a right-side view of the access device, according to the example embodiment;

FIG. 5 is a top view of the access device, according to the example embodiment; and,

FIG. 6 is a bottom view of the access device, according to the example embodiment.

The broken lines showing portions of the bottom of the access device are for the purpose of illustrating unclaimed portions of the access device and form no part of the claimed design.

1 Claim, 4 Drawing Sheets



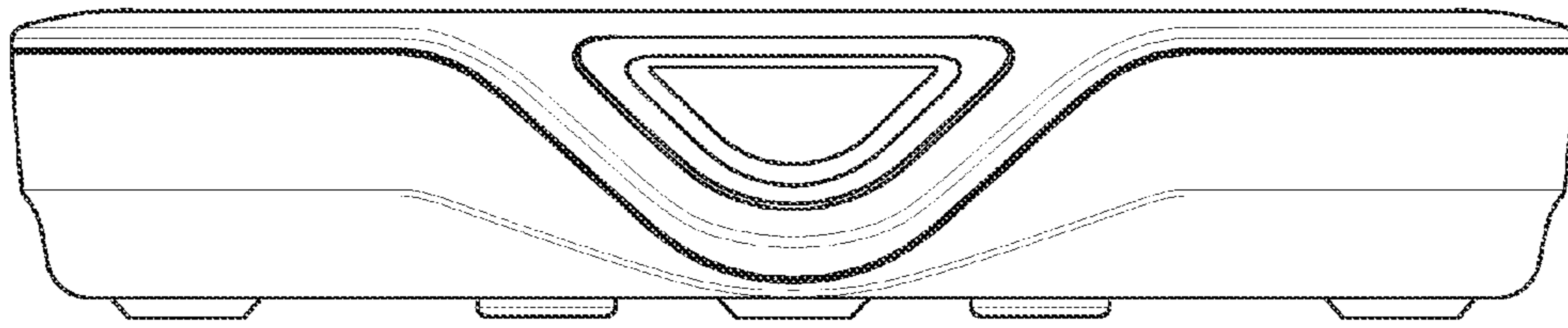


Fig. 1

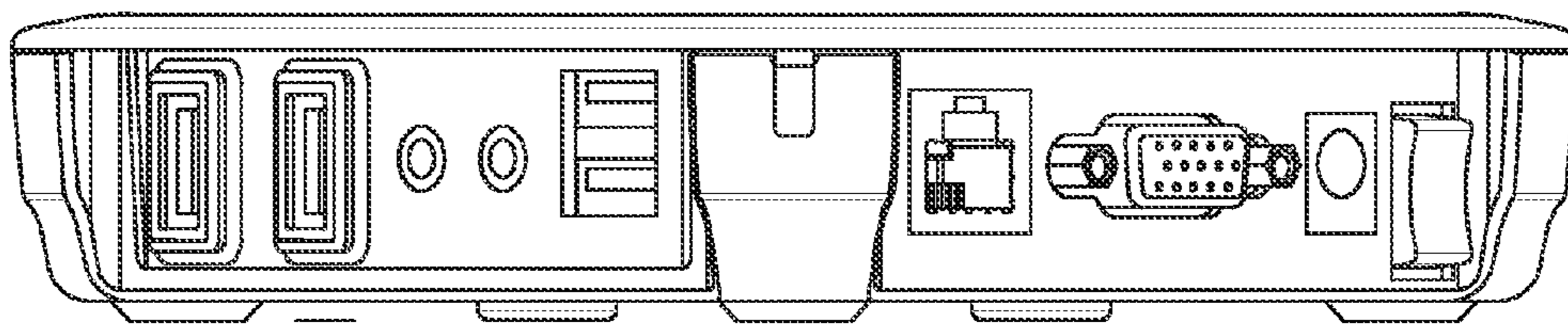


Fig. 2

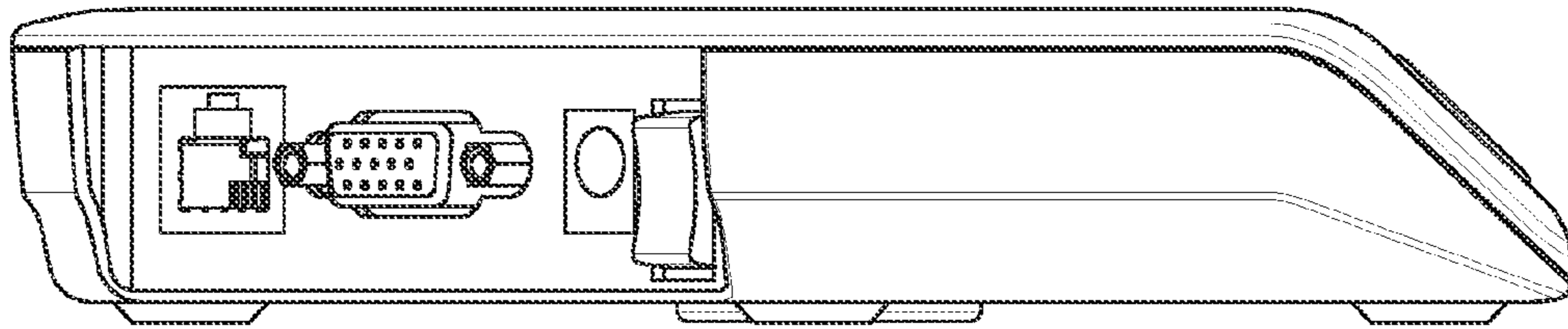


Fig. 3

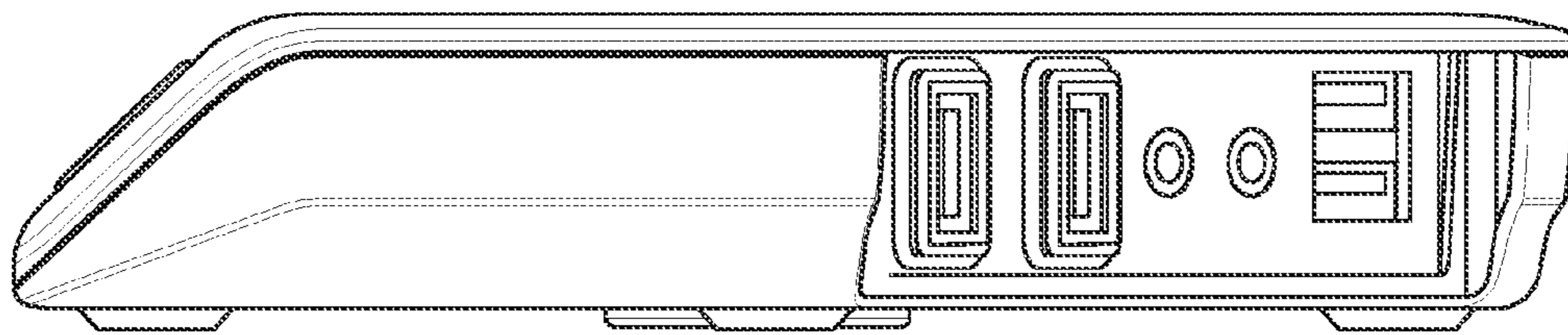


Fig. 4

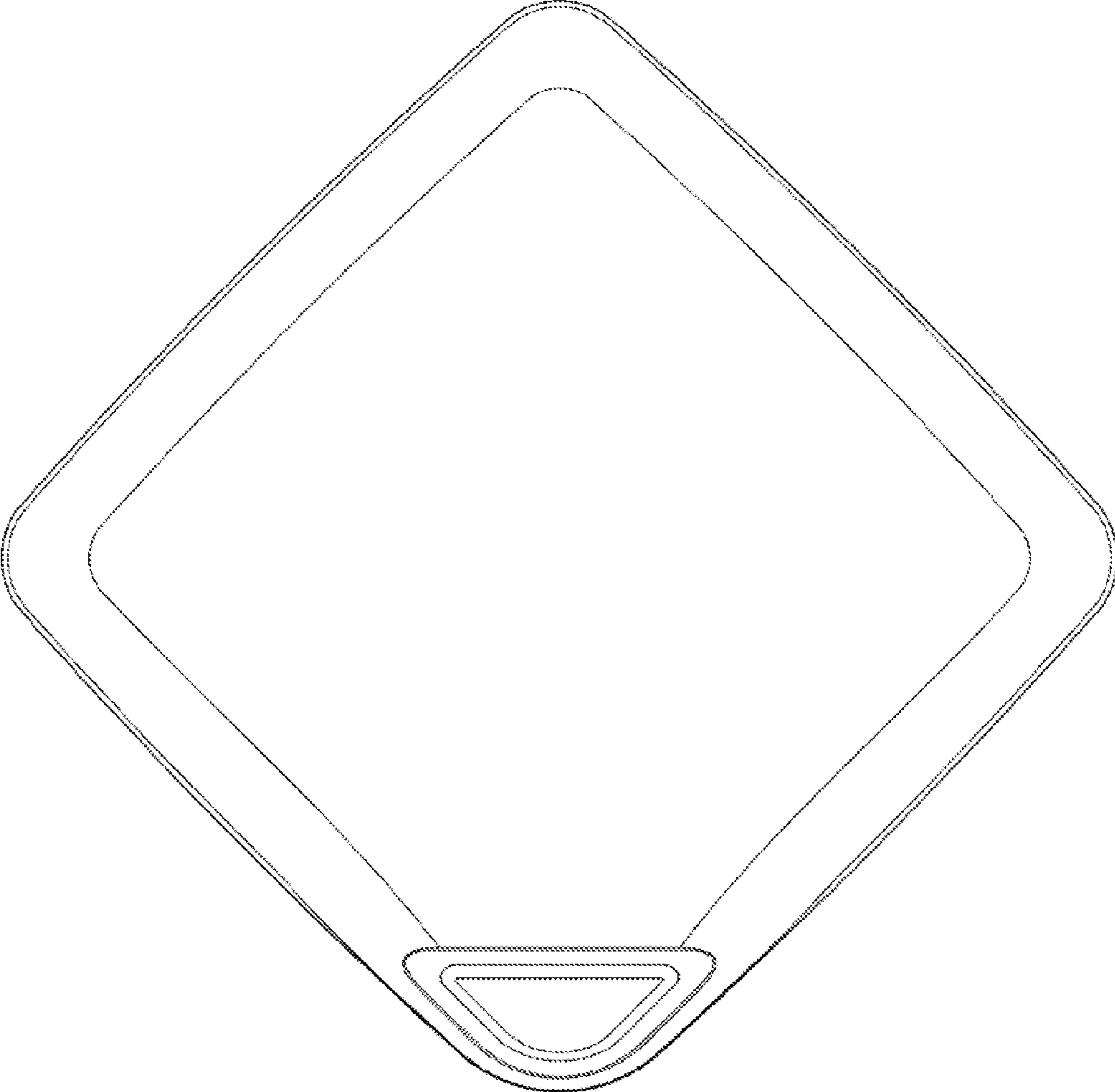


FIG. 5

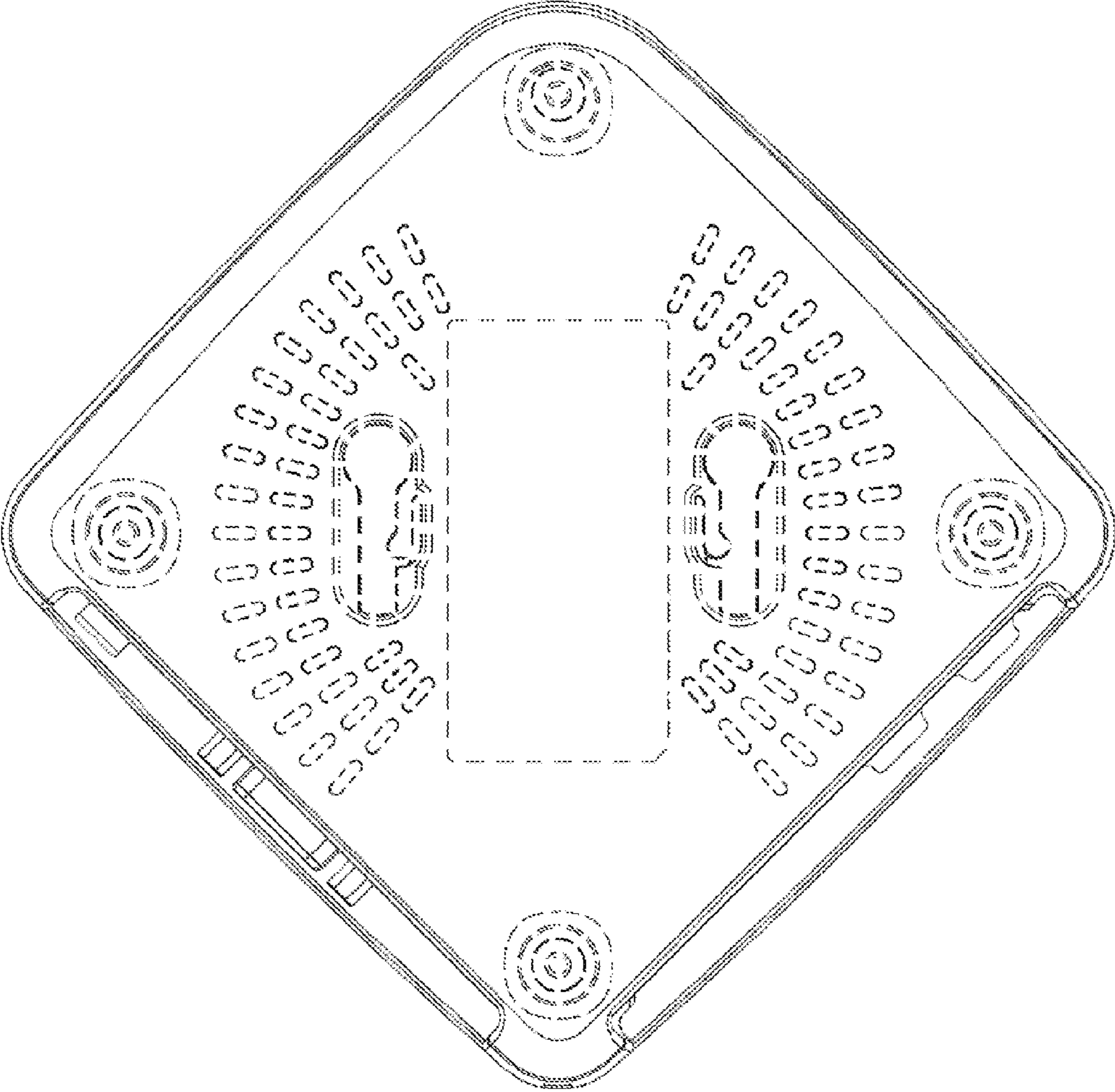


FIG. 6