



US00D630627S

(12) **United States Design Patent**
Fujita et al.

(10) **Patent No.:** **US D630,627 S**

(45) **Date of Patent:** **** Jan. 11, 2011**

(54) **PERSONAL COMPUTER**

(75) Inventors: **Hiroyuki Fujita**, Tokyo (JP); **Kohei Okamoto**, Kawasaki (JP); **Daisuke Yamagishi**, Kawasaki (JP)

(73) Assignee: **Fujitsu Limited**, Kawasaki (JP)

(**) Term: **14 Years**

(21) Appl. No.: **29/347,750**

(22) Filed: **May 12, 2010**

(30) **Foreign Application Priority Data**

Nov. 13, 2009 (JP) D2009-026634

(51) **LOC (9) Cl.** **14-02**

(52) **U.S. Cl.** **D14/318**

(58) **Field of Classification Search** D14/315-327;
D18/1, 2, 7, 11; 235/145 A, 145 R; 341/22,
341/23; 345/104, 156, 168, 169, 173; 361/679.08,
361/679.09, 679.11, 679.26, 679.27
See application file for complete search history.

(56) **References Cited**

U.S. PATENT DOCUMENTS

D384,043	S	*	9/1997	Tamaki	D14/318
5,764,476	A	*	6/1998	Ohgami et al.	361/683
D425,874	S	*	5/2000	Tanimura	D14/318
6,067,224	A	*	5/2000	Nobuchi	361/683
6,073,187	A	*	6/2000	Jacobs et al.	710/14
D431,821	S	*	10/2000	Mizuno	D14/318
D454,126	S	*	3/2002	Bliven et al.	D14/327
D455,425	S	*	4/2002	Tagiguchi	D14/327

D463,797	S	*	10/2002	Andre et al.	D14/327
D476,326	S	*	6/2003	Tanimura	D14/318
6,657,854	B2	*	12/2003	Horii et al.	361/683
6,744,623	B2	*	6/2004	Numano et al.	361/681
D494,162	S	*	8/2004	Kondo	D14/318
6,792,480	B2	*	9/2004	Chaiken et al.	710/14
7,035,665	B2	*	4/2006	Kido et al.	455/566
D556,192	S	*	11/2007	Jeong et al.	D14/327

* cited by examiner

Primary Examiner—Freda S Nunn

(74) *Attorney, Agent, or Firm*—Staas & Halsey LLP

(57) **CLAIM**

The ornamental design for a personal computer, as shown and described.

DESCRIPTION

FIG. 1 is a perspective view of top, front and right side of a personal computer showing our new design;

FIG. 2 is a front view thereof;

FIG. 3 is a rear view thereof;

FIG. 4 is a top plan view thereof;

FIG. 5 is a bottom view thereof;

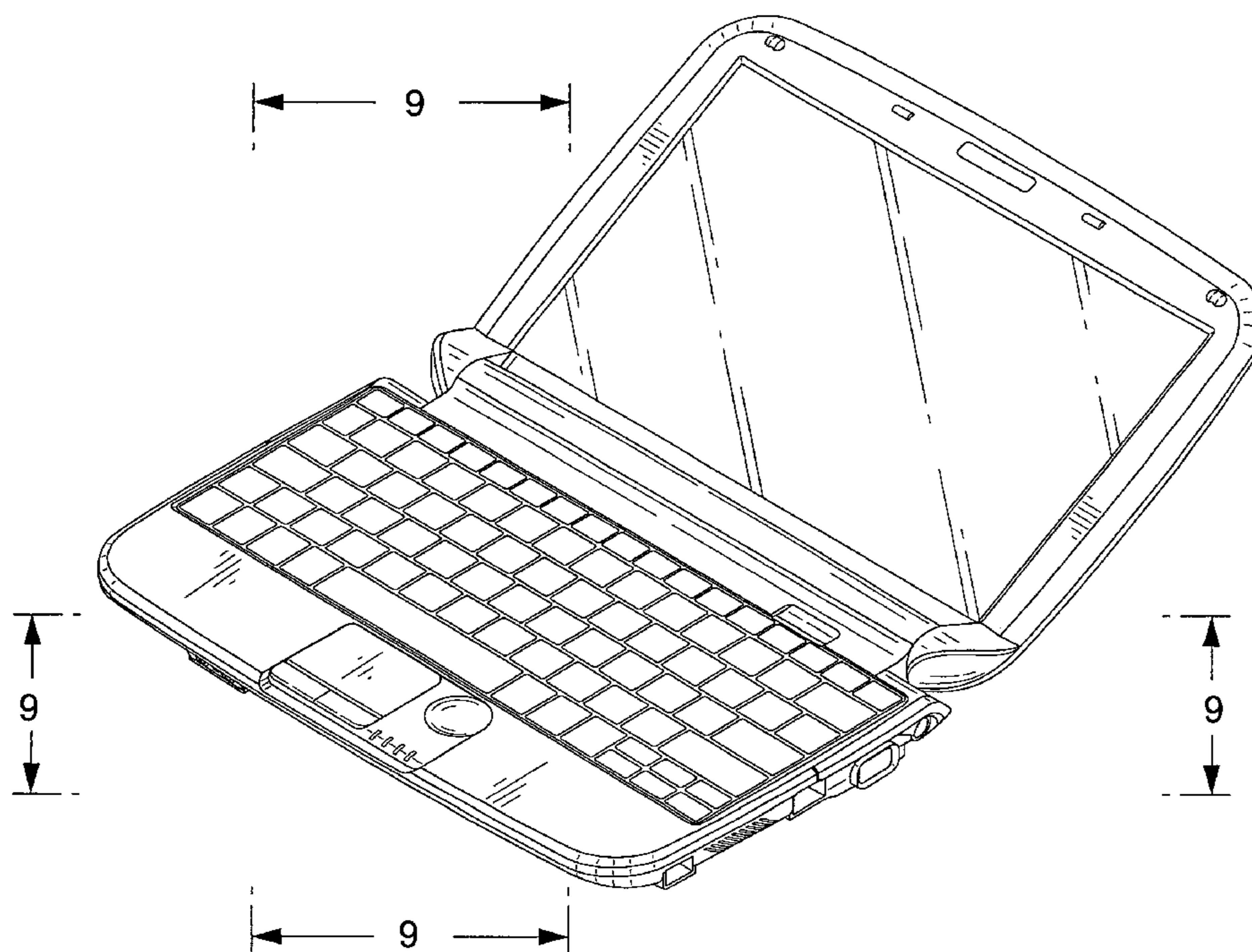
FIG. 6 is a left side view thereof;

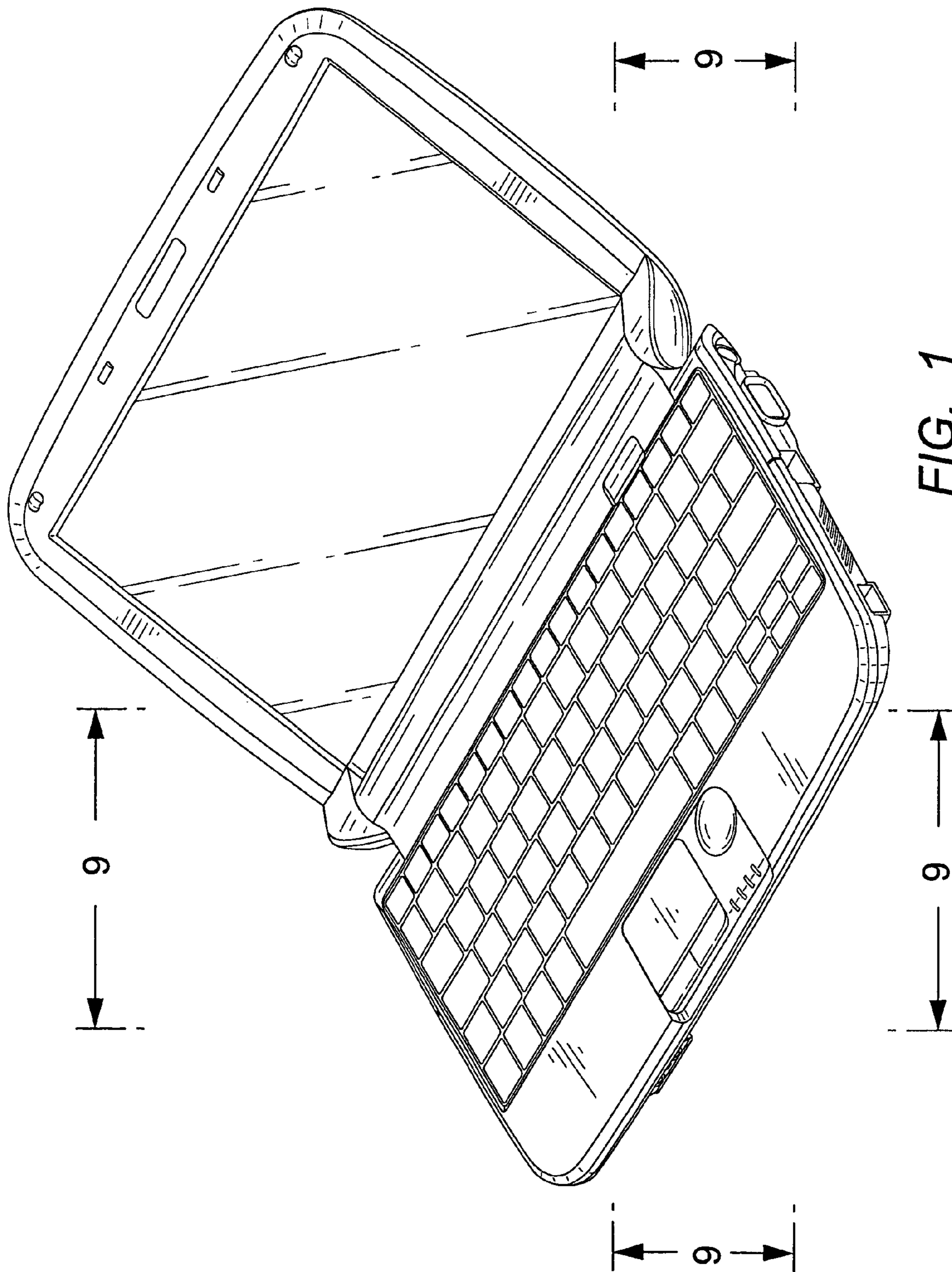
FIG. 7 is a right side view thereof;

FIG. 8 is a perspective view with the lid in closed condition thereof; and,

FIG. 9 is a partially enlarged view taken along line 9—9 in FIG. 1 thereof.

1 Claim, 6 Drawing Sheets





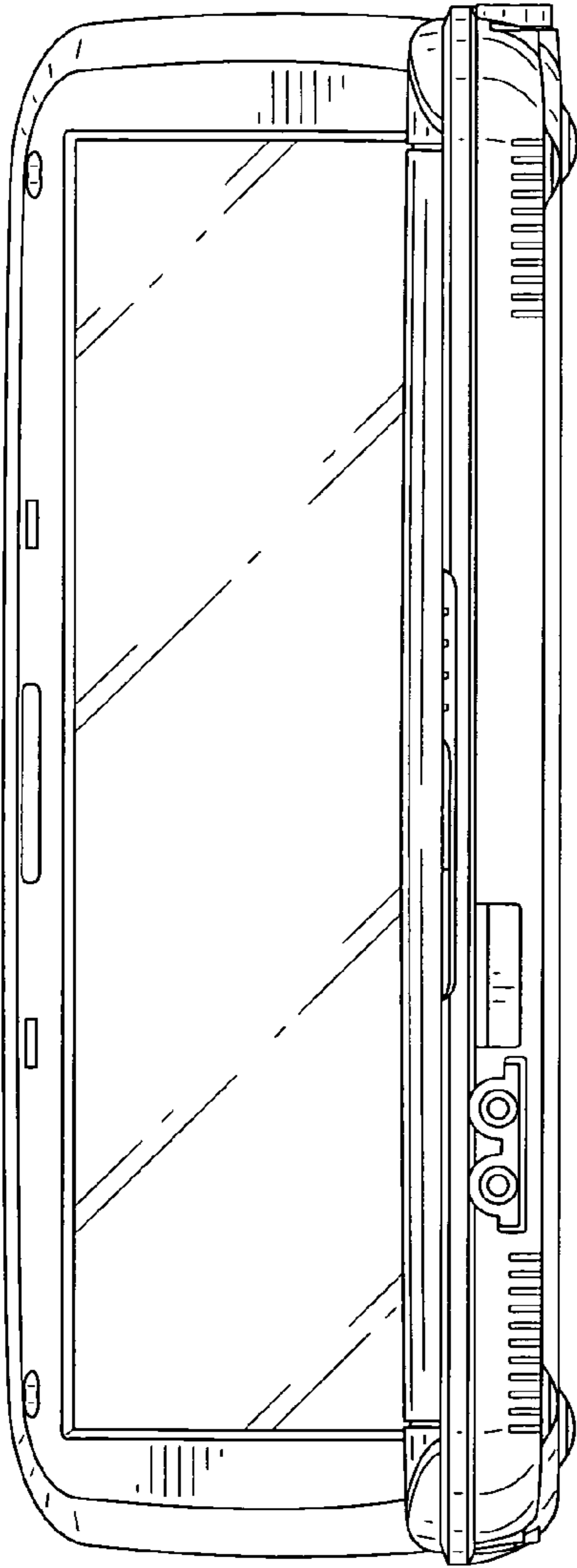


FIG. 2

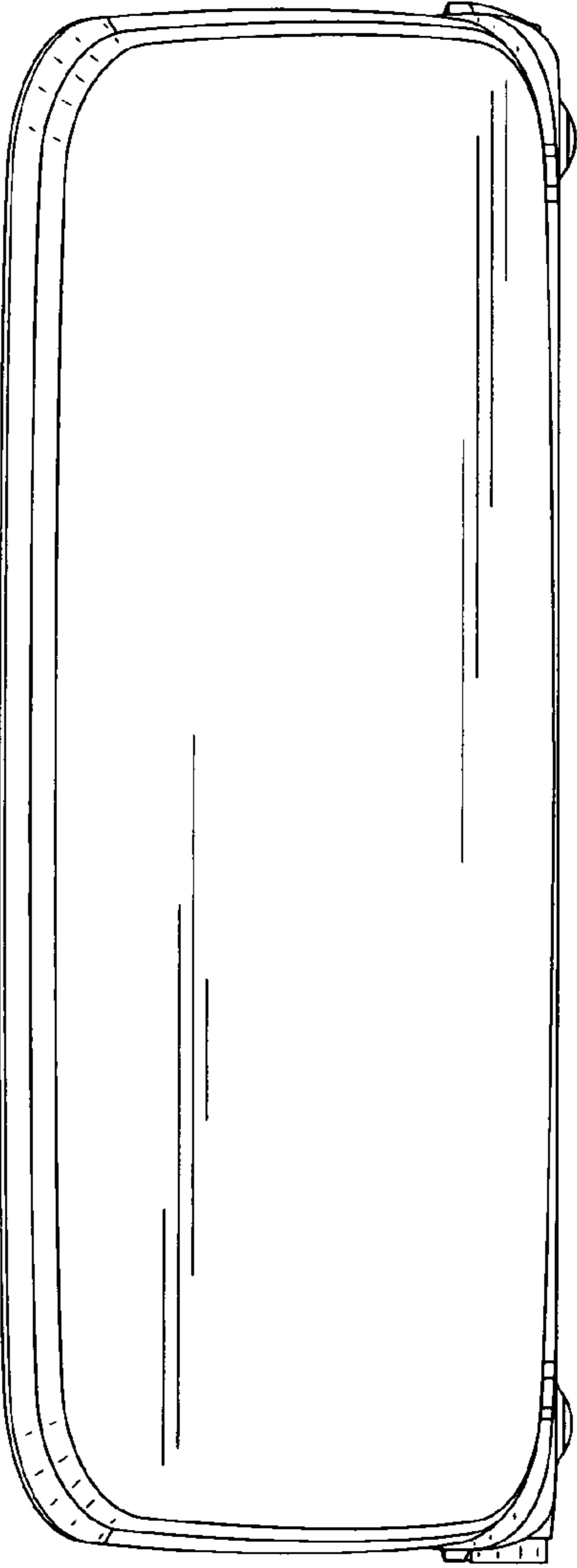


FIG. 3

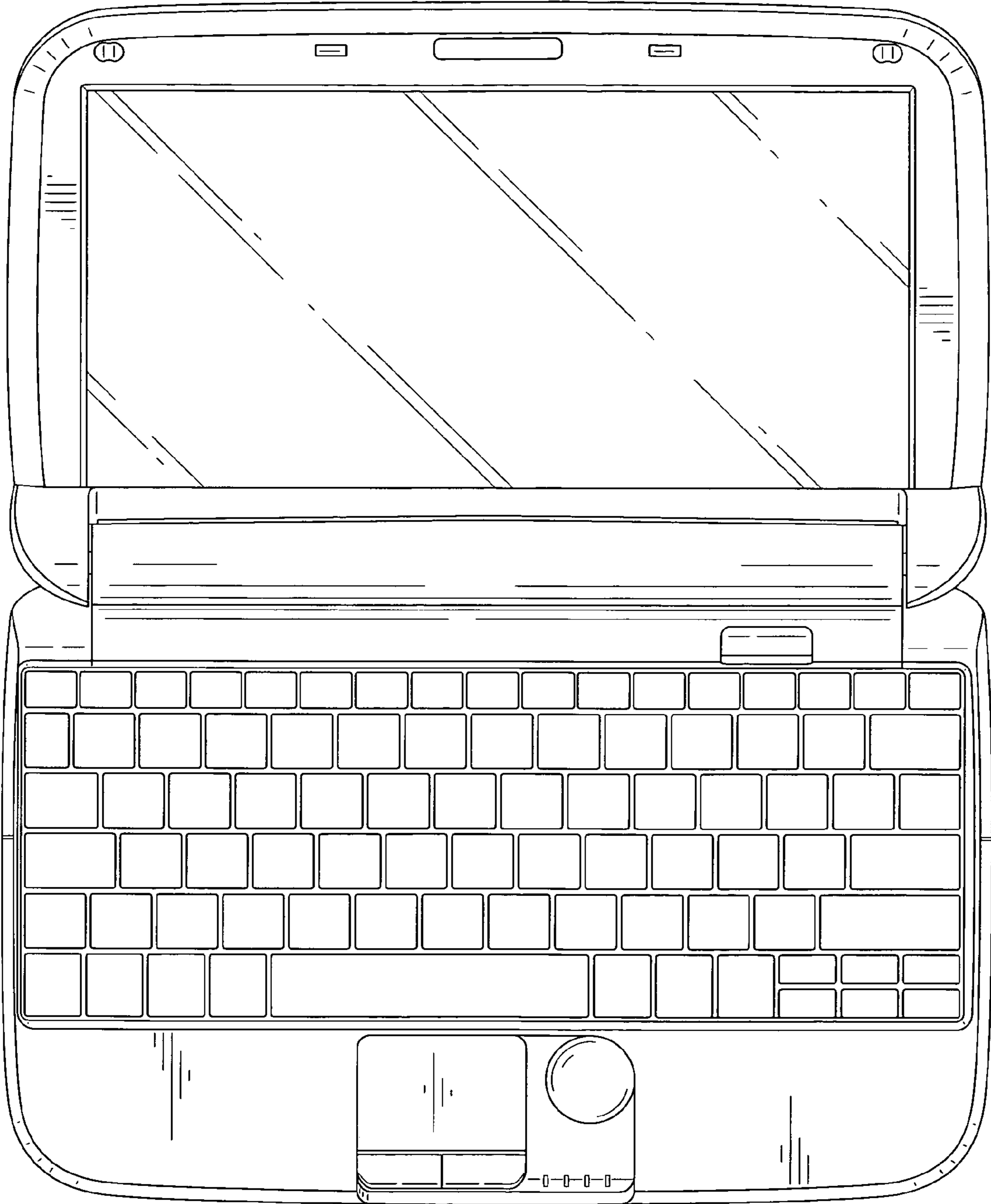


FIG. 4

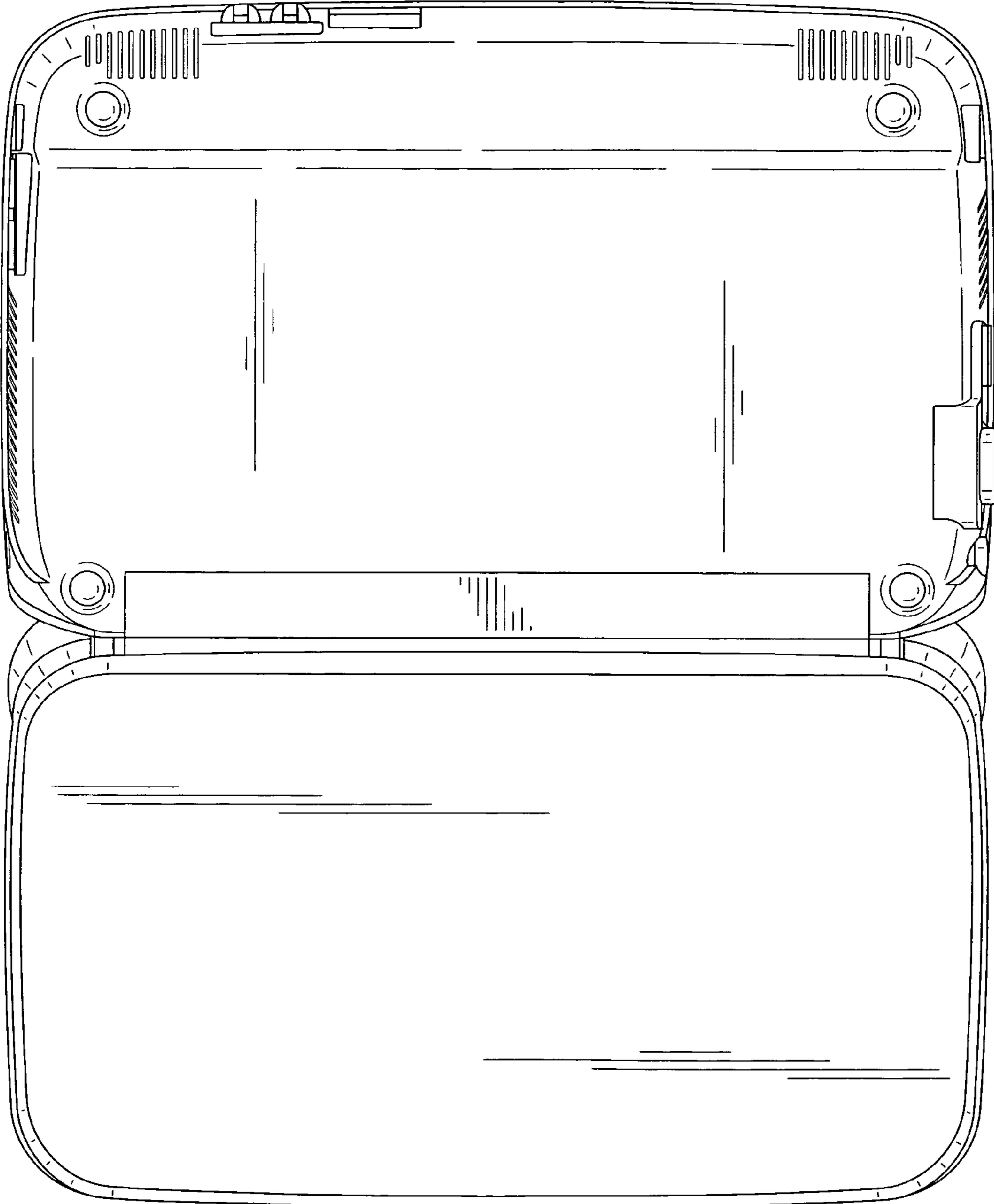


FIG. 5

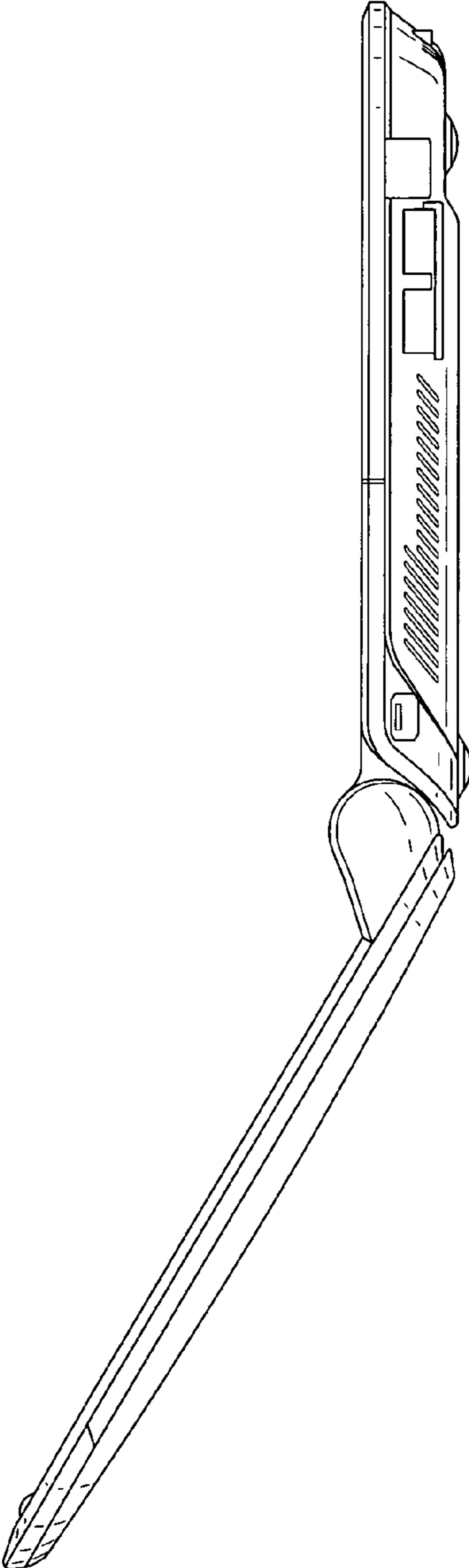


FIG. 6

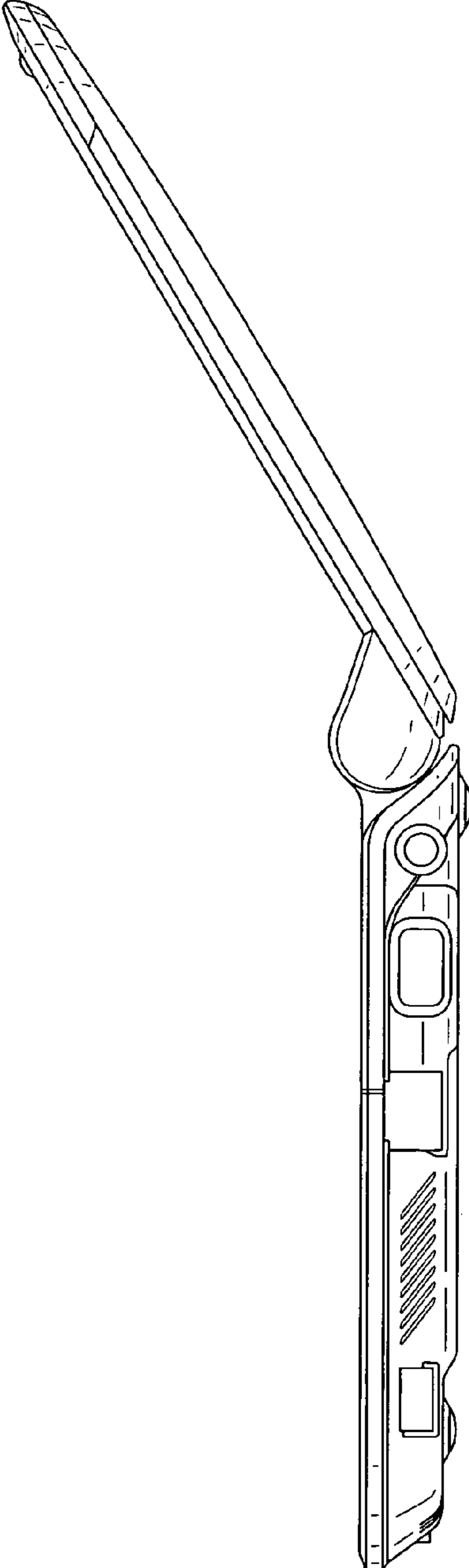


FIG. 7

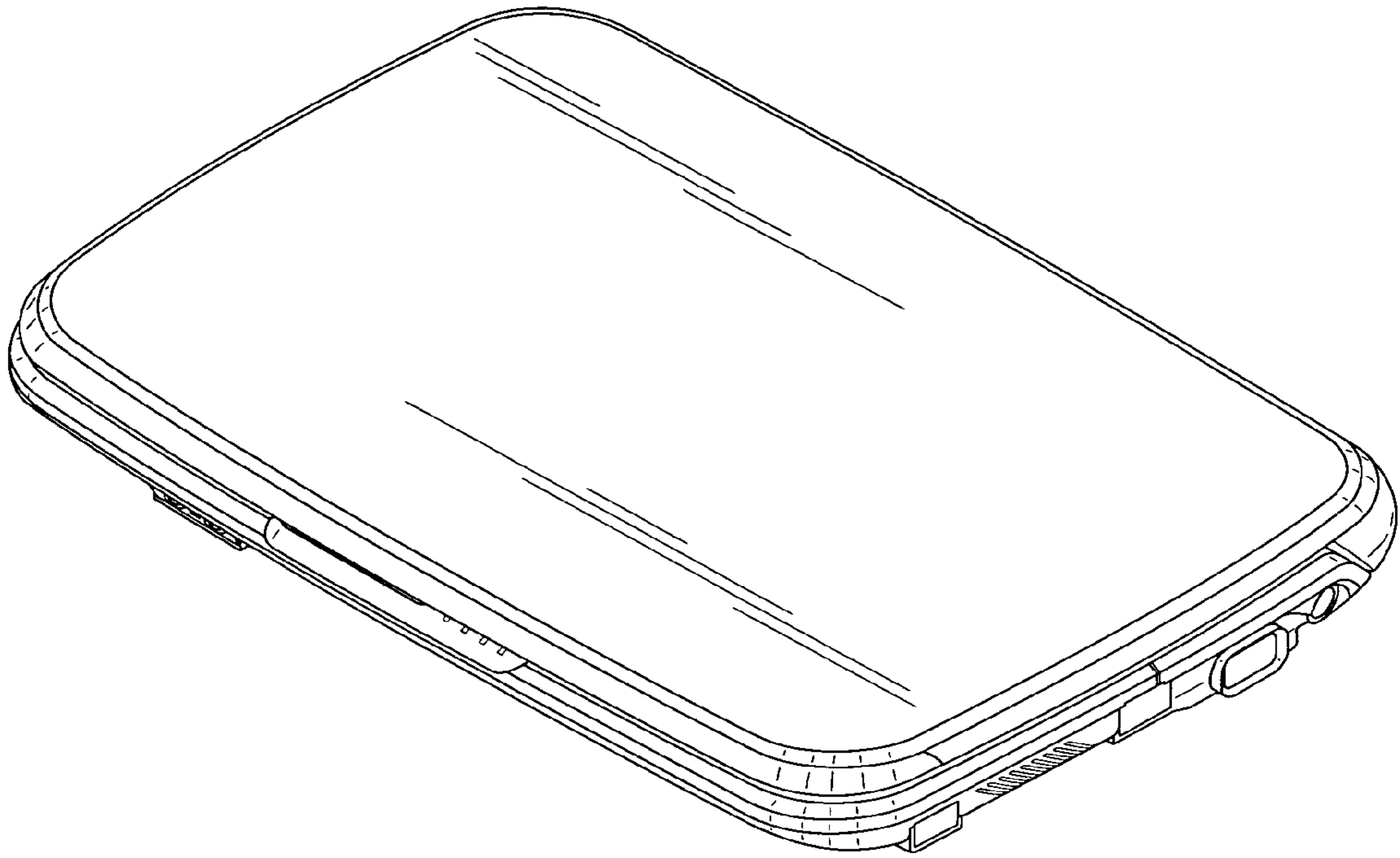


FIG. 8

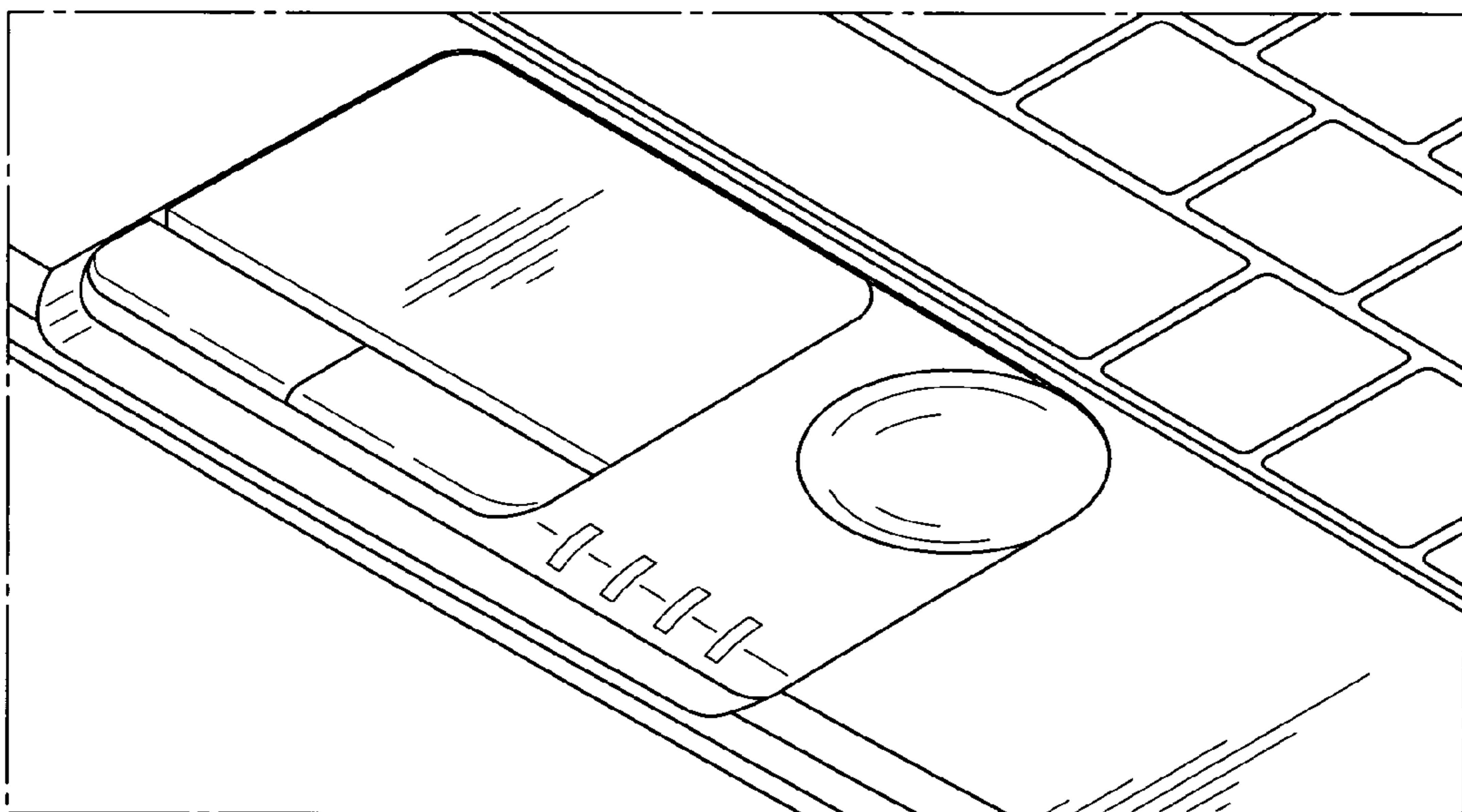


FIG. 9