



US00D630625S

(12) **United States Design Patent**
Boudreau et al.

(10) **Patent No.:** **US D630,625 S**
(45) **Date of Patent:** **** Jan. 11, 2011**

(54) **CONTROL FOR A RADIO FACEPLATE**
(75) Inventors: **Wilfred Charles Boudreau**, Mundelein, IL (US); **Ramon Sandoval**, Chicago, IL (US); **Jeffrey Patrick Heuel**, Elmhurst, IL (US)
(73) Assignee: **Cobra Electronics Corporation**, Chicago, IL (US)

D538,255 S 3/2007 Matsuoka
D550,199 S 9/2007 Sato et al.
D553,643 S * 10/2007 Nemoto et al. D14/496
D557,694 S * 12/2007 Bey et al. D14/257
D561,754 S 2/2008 Riede
D571,350 S * 6/2008 Iwamoto et al. D14/157
D581,919 S * 12/2008 Kim D14/257
7,668,576 B2 2/2010 Ellenbogen et al.
D625,279 S 10/2010 Boudreau et al.

(**) Term: **14 Years**
(21) Appl. No.: **29/356,155**
(22) Filed: **Feb. 19, 2010**

OTHER PUBLICATIONS

Motorola GM338 Mobile Radio, [online], [retrieved on Mar. 2005]. Retrieved from Internet, <URL: <http://www.telesources.com>>.
ICOM IC-M504 VHF Marine Mobile Transceiver, [online], [retrieved on Jan. 6, 2010]. Retrieved from Internet, <URL: <http://www.twowayradioonline.com>>.

(51) **LOC (9) Cl.** **14-01**
(52) **U.S. Cl.** **D14/257**
(58) **Field of Classification Search** D14/496, D14/498-511, 135, 137, 157, 167-168, 188, D14/197-198, 257-258; 360/99.02, 99.07; 369/75.11, 75.21, 77.11, 77.21; 720/601, 720/612, 619, 649, 655; 455/344, 347-351
See application file for complete search history.

* cited by examiner

Primary Examiner—Nanda Bondade
(74) *Attorney, Agent, or Firm*—Hitchcock Evert LLP

(56) **References Cited**

U.S. PATENT DOCUMENTS

D288,806 S * 3/1987 Stoddard et al. D14/258
5,477,432 A 12/1995 Magic et al.
5,862,468 A * 1/1999 Kim 455/349
D405,094 S 2/1999 Buckingham et al.
D438,520 S 3/2001 Nose et al.
D443,609 S 6/2001 Buckingham et al.
D454,552 S 3/2002 Nakane
D454,855 S 3/2002 Nakane
D462,951 S * 9/2002 Storti et al. D14/257
D476,651 S * 7/2003 Clark et al. D14/257
D479,524 S * 9/2003 Nara D14/258
D479,525 S * 9/2003 Nara D14/258
D517,022 S 3/2006 Pollard

(57) **CLAIM**

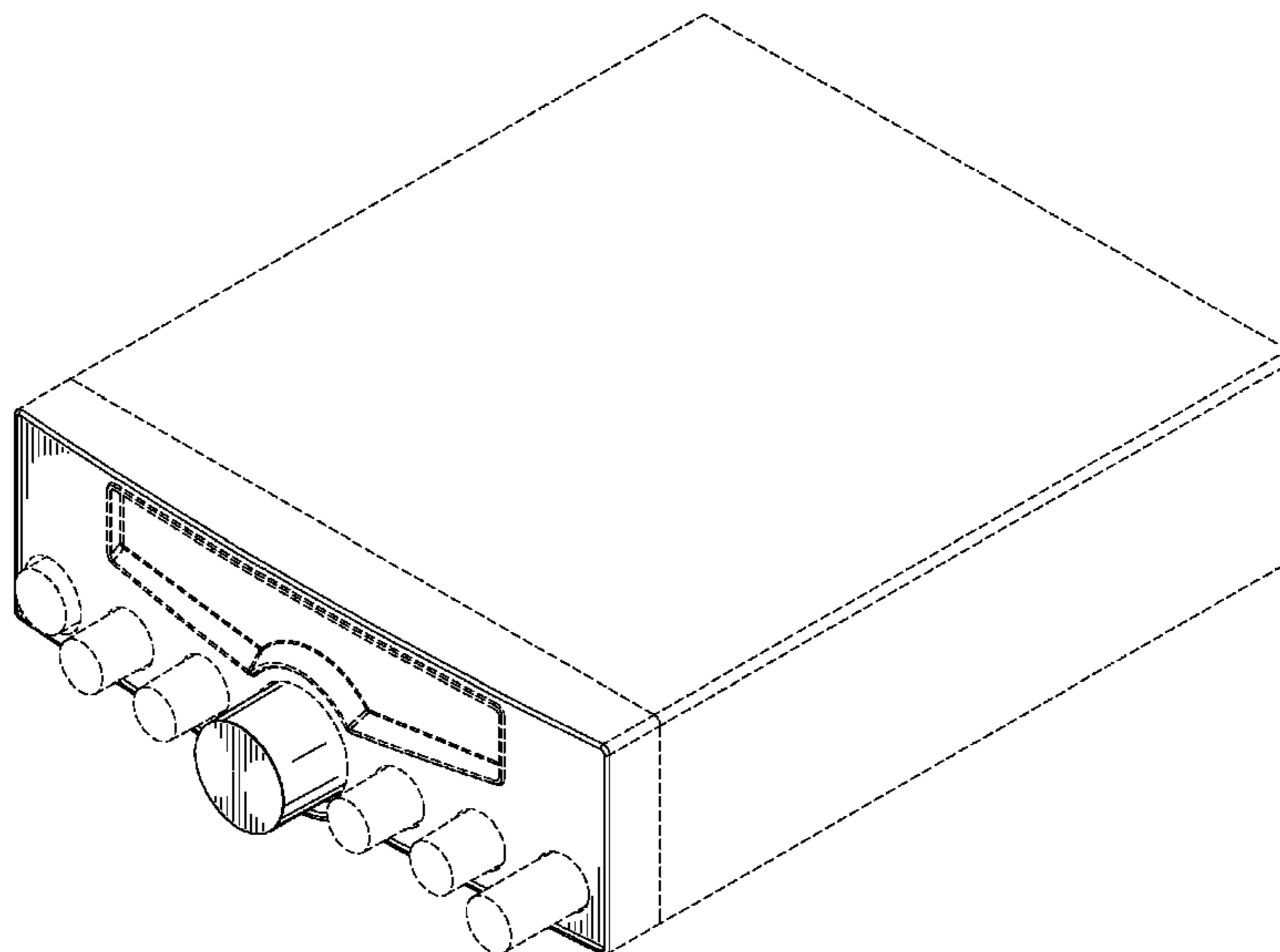
The ornamental design for a control for a radio faceplate, as shown and described.

DESCRIPTION

FIG. 1 is a perspective view of a control for a radio faceplate; FIG. 2 is a front view thereof; FIG. 3 is a back view thereof; FIG. 4 is a right side view thereof; FIG. 5 is a left side view thereof; FIG. 6 is a top view thereof; and, FIG. 7 is a bottom view thereof.

The broken lines of a radio body and display are for illustrative purposes only and form no part of the claimed design.

1 Claim, 5 Drawing Sheets



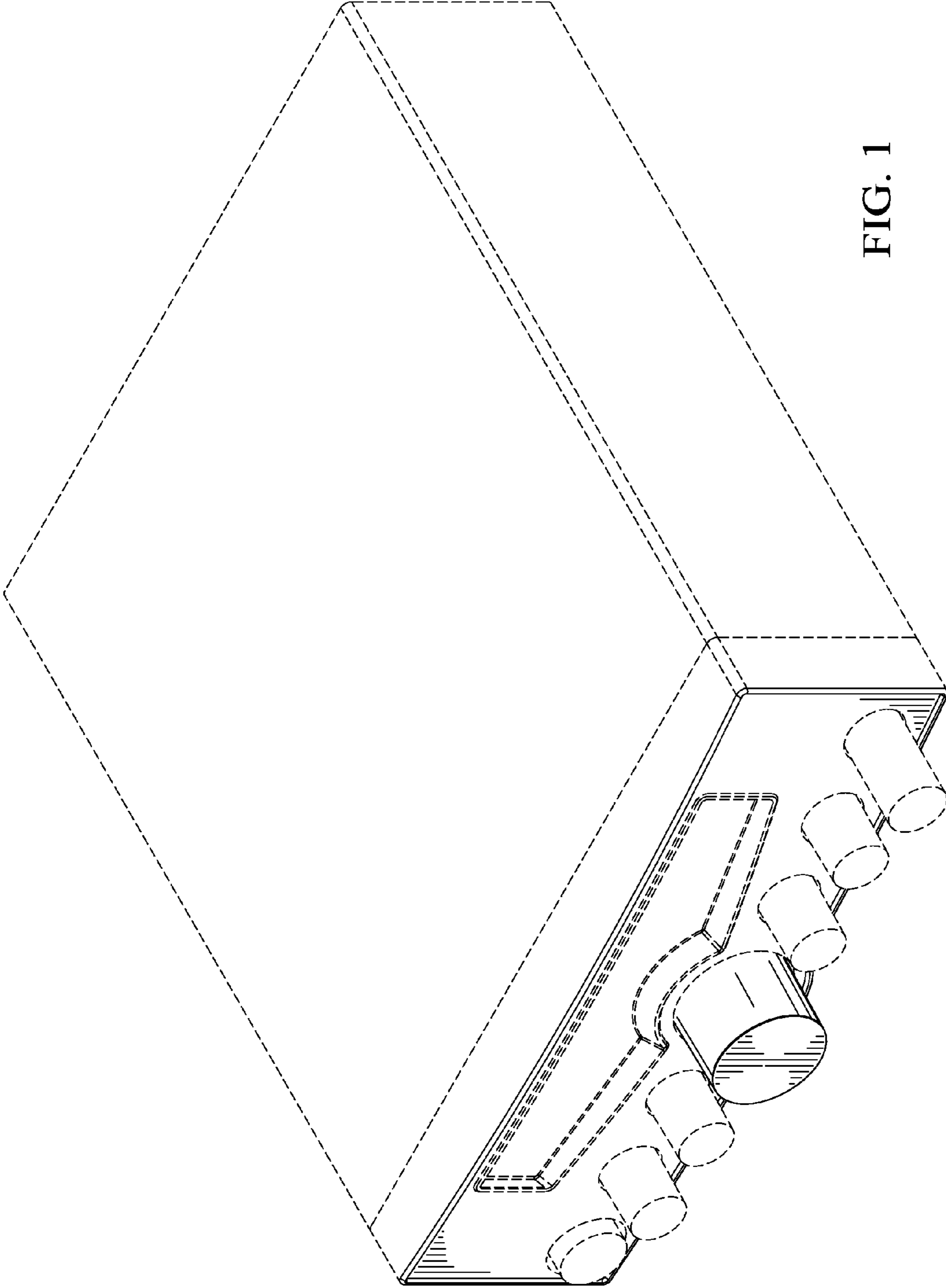


FIG. 1

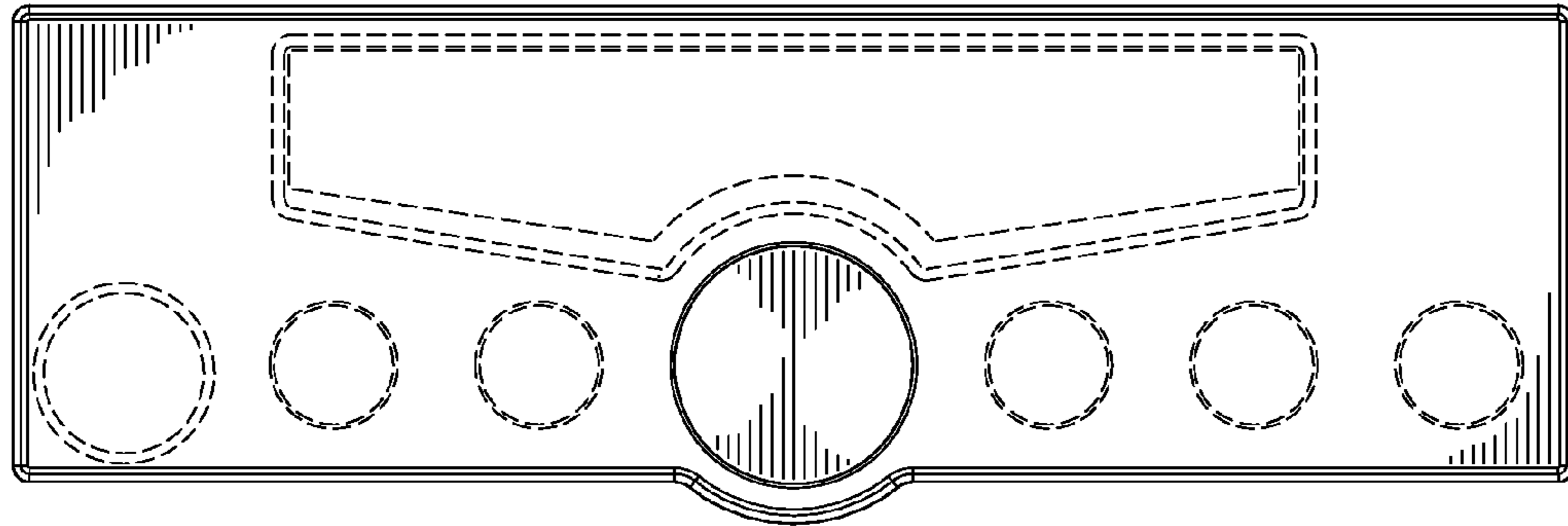


FIG. 2

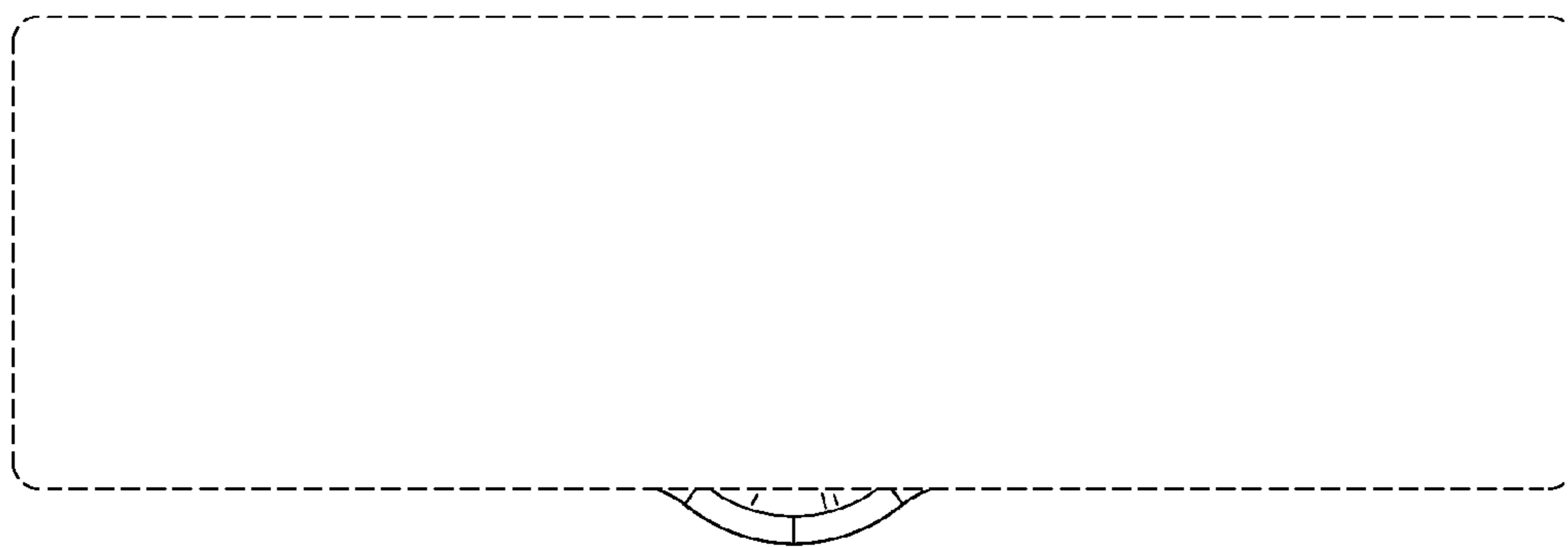


FIG. 3

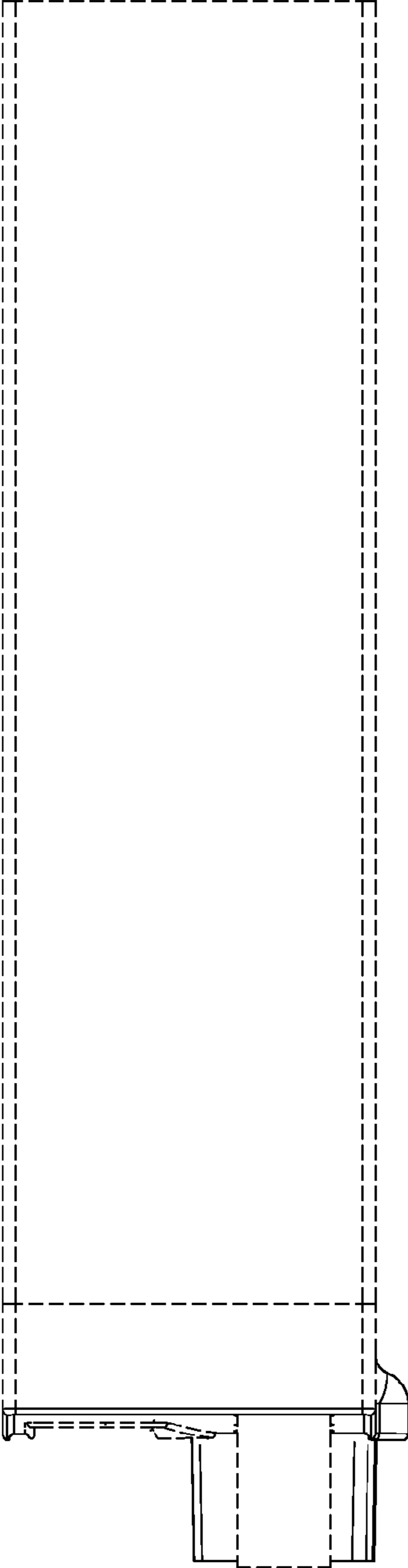


FIG. 4

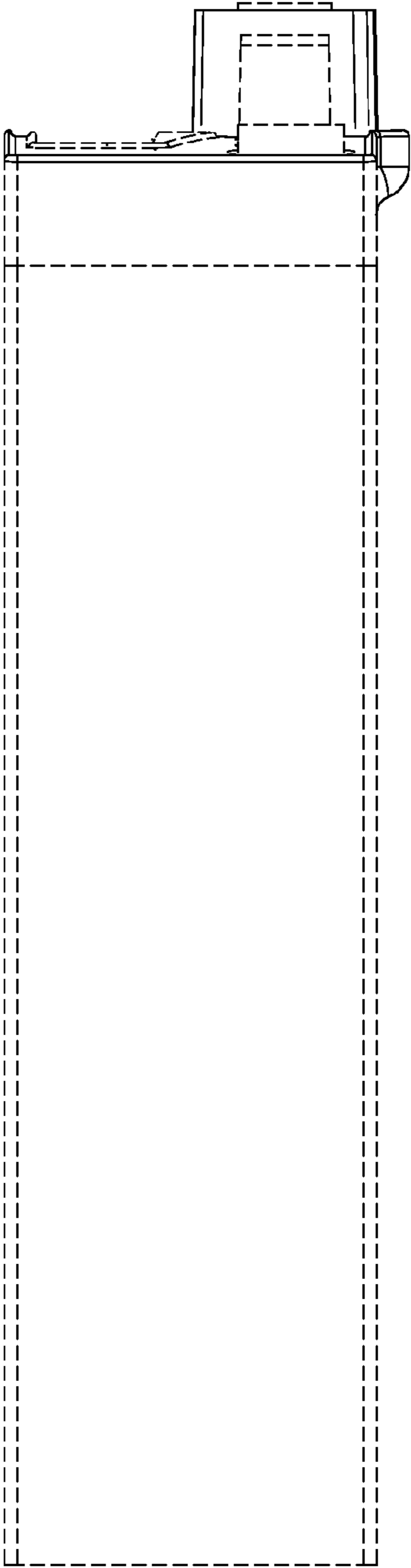


FIG. 5

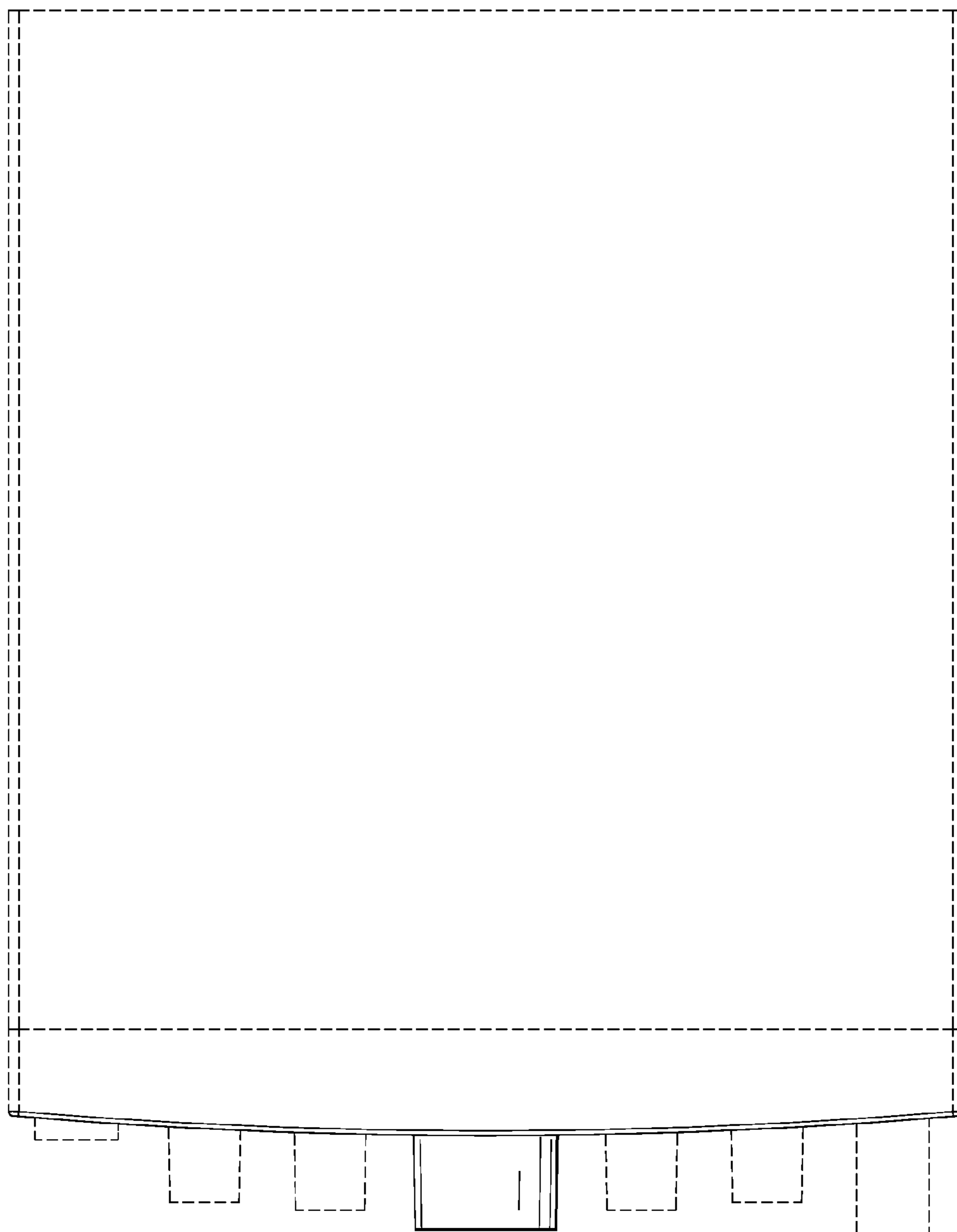


FIG. 6

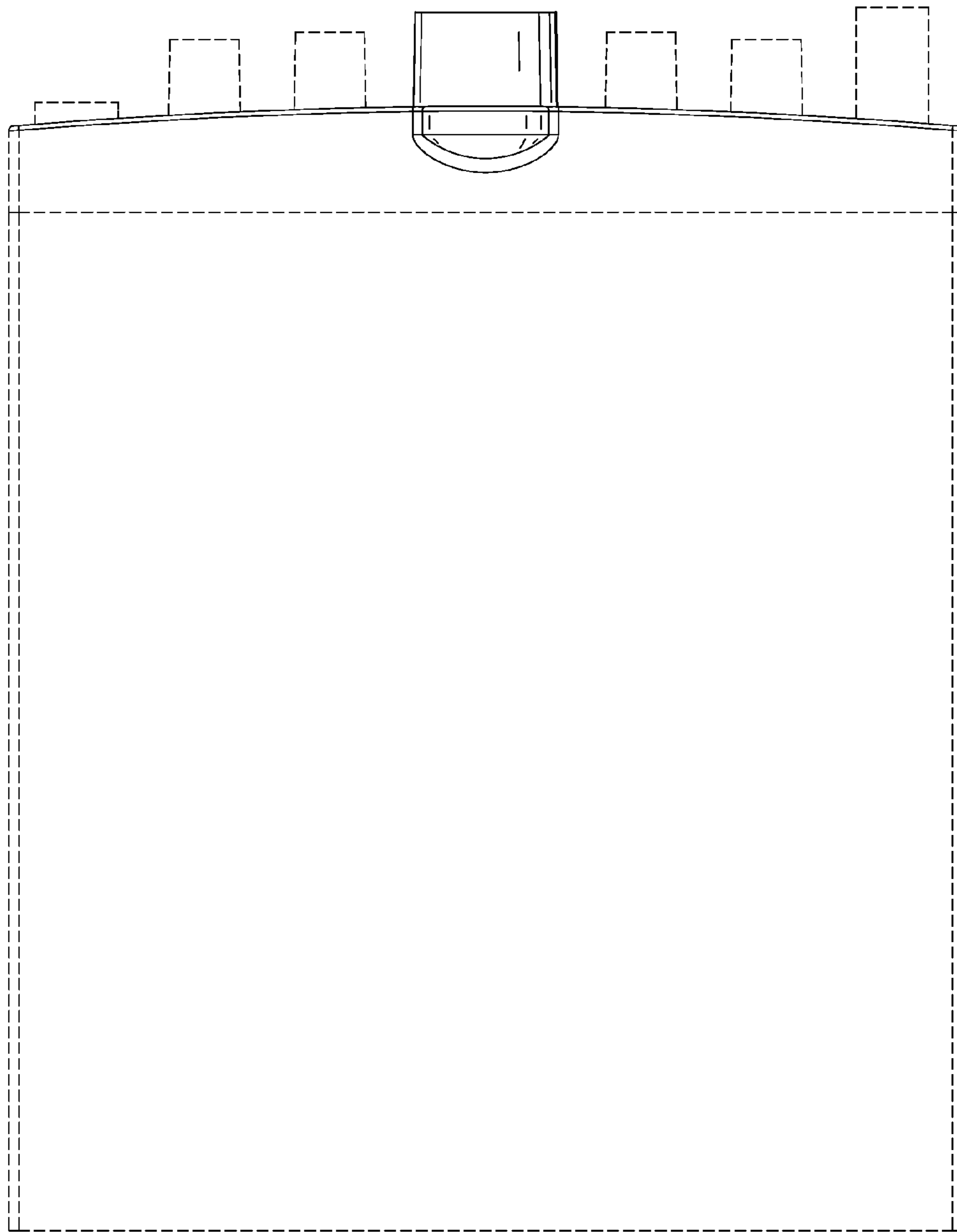


FIG. 7