

US00D630623S

(12) **United States Design Patent**  
**Molter et al.**

(10) **Patent No.:** **US D630,623 S**  
(45) **Date of Patent:** **\*\* Jan. 11, 2011**

(54) **ARTICULATING DISPLAY MOUNT**

(75) Inventors: **Daniel E. Molter**, Elmhurst, IL (US);  
**Donald Anderson**, Oak Park, IL (US);  
**Nicanor C. Ranchoero**, Willowbrook, IL (US)

(73) Assignee: **Peerless Industries, Inc.**, Aurora, IL (US)

(\*\*) Term: **14 Years**

(21) Appl. No.: **29/357,041**

(22) Filed: **Mar. 5, 2010**

(51) **LOC (9) Cl.** ..... **14-03**

(52) **U.S. Cl.** ..... **D14/239**

(58) **Field of Classification Search** ..... D14/125-134,  
D14/239, 371, 136, 374-377; D8/363, 373,  
D8/349, 394; 248/465, 917-924, 123.11;  
348/825, 827, 836, 837, 838, 180, 184, 325,  
348/739; 600/443; D6/477-479, 407, 474,  
D6/460, 461, 468; 312/7.2; 341/12; 345/87,  
345/104, 133, 156, 168, 169, 173; 720/605,  
720/669, 600, 655; 369/99, 197; 455/344-347;  
349/1, 2, 11, 62; 108/59, 91, 92, 96; 211/40,  
211/41.12, 42, 49.1, 50, 85.2, 90.04, 187,  
211/190, 119.003, 134.153, 87.01, 71.01

See application file for complete search history.

(56) **References Cited**

**U.S. PATENT DOCUMENTS**

D488,708 S	4/2004	Lam et al.	
D489,599 S	5/2004	Lam	
D496,367 S	9/2004	Pfister	
D505,858 S	6/2005	O'Keene	
6,905,101 B1	6/2005	Dittmer	
D507,477 S	7/2005	Pfister	
D539,127 S *	3/2007	Ly Hau et al.	..... D8/373
7,243,892 B2	7/2007	Pfister	
D549,558 S	8/2007	Dittmer et al.	
D556,205 S	11/2007	Wohlford et al.	
D558,560 S	1/2008	Ciungan	

D558,561 S	1/2008	Ciungan	
D558,562 S	1/2008	Ciungan et al.	
D558,563 S	1/2008	Ciungan	
D558,564 S	1/2008	Ciungan	
D559,087 S	1/2008	Ciungan	
D559,088 S	1/2008	Ciungan	
D562,113 S	2/2008	Ciungan et al.	
7,380,760 B2	6/2008	Dittmer	
7,387,286 B2	6/2008	Dittmer et al.	
7,438,269 B2	10/2008	Pfister et al.	
D580,742 S *	11/2008	Short	..... D8/363
D580,743 S *	11/2008	Short	..... D8/363

(Continued)

**OTHER PUBLICATIONS**

U.S. Appl. No. 29/358,115, filed Mar. 23, 2010, Molter et al.

(Continued)

*Primary Examiner*—Raphael Barkai  
*Assistant Examiner*—Randall Gholson  
(74) *Attorney, Agent, or Firm*—Foley & Lardner LLP

(57) **CLAIM**

We claim the ornamental design for an articulating display mount, as shown and described.

**DESCRIPTION**

FIG. 1 is a first perspective view of an articulating display mount showing our new design;

FIG. 2 is a second perspective view thereof;

FIG. 3 is a front elevational view thereof;

FIG. 4 is a right side elevational view thereof;

FIG. 5 is a left side elevational view thereof;

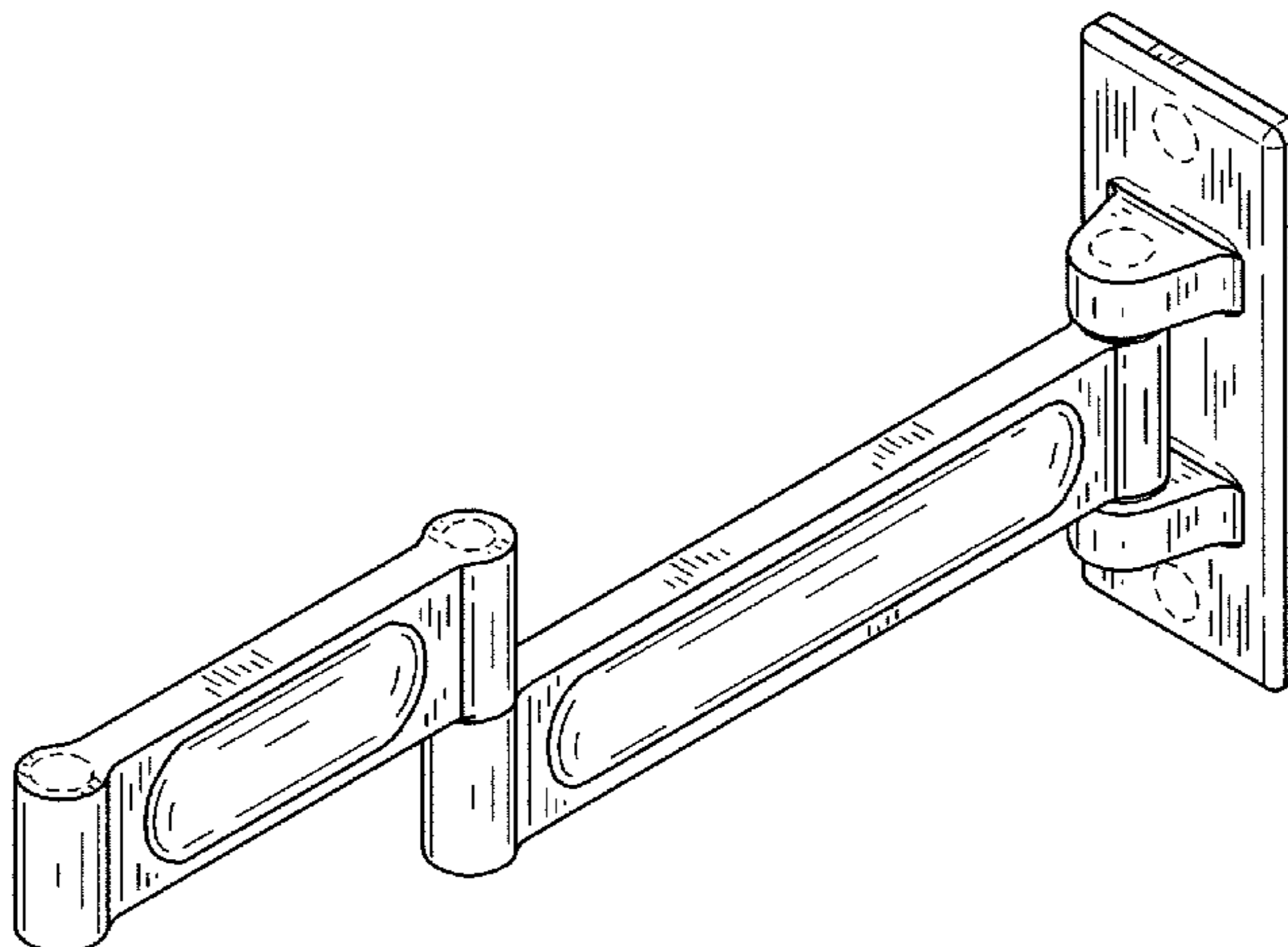
FIG. 6 is a top plan view thereof;

FIG. 7 is a bottom plan view thereof; and,

FIG. 8 is a rear elevational view thereof.

The broken lines shown are for illustrative purposes only and form no part of the claimed design.

**1 Claim, 6 Drawing Sheets**



# US D630,623 S

Page 2

---

## U.S. PATENT DOCUMENTS

7,448,584 B2 \* 11/2008 Chen et al. .... 248/278.1  
D581,916 S \* 12/2008 Sculler et al. .... D14/239  
D584,734 S \* 1/2009 Chu ..... D14/452  
7,487,943 B1 2/2009 Gillespie  
D587,716 S \* 3/2009 Hau et al. .... D14/452  
7,513,469 B1 4/2009 Ciungan  
D595,723 S 7/2009 Bures et al.  
D605,185 S 12/2009 Russell et al.  
7,641,163 B2 1/2010 O'Keene  
D611,479 S \* 3/2010 Hau et al. .... D14/452

2008/0151483 A1 6/2008 Holbrook et al.

## OTHER PUBLICATIONS

U.S. Appl. No. 29/358,112, filed Mar. 23, 2010, Molter et al.  
U.S. Appl. No. 29/358,120, filed Mar. 23, 2010, Molter et al.  
U.S. Appl. No. 29/357,061, filed Mar. 5, 2010, Molter et al.  
U.S. Appl. No. 29/357,037, filed Mar. 5, 2010, Molter et al.  
U.S. Appl. No. 29/358,151, filed Mar. 23, 2010, Molter et al.  
U.S. Appl. No. 29/358,138, filed Mar. 23, 2010, Molter et al.  
U.S. Appl. No. 29/358,154, filed Mar. 23, 2010, Molter et al.  
U.S. Appl. No. 29/358,110, filed Mar. 23, 2010, Molter et al.  
U.S. Appl. No. 29/358,109, filed Mar. 23, 2010, Molter et al.

\* cited by examiner

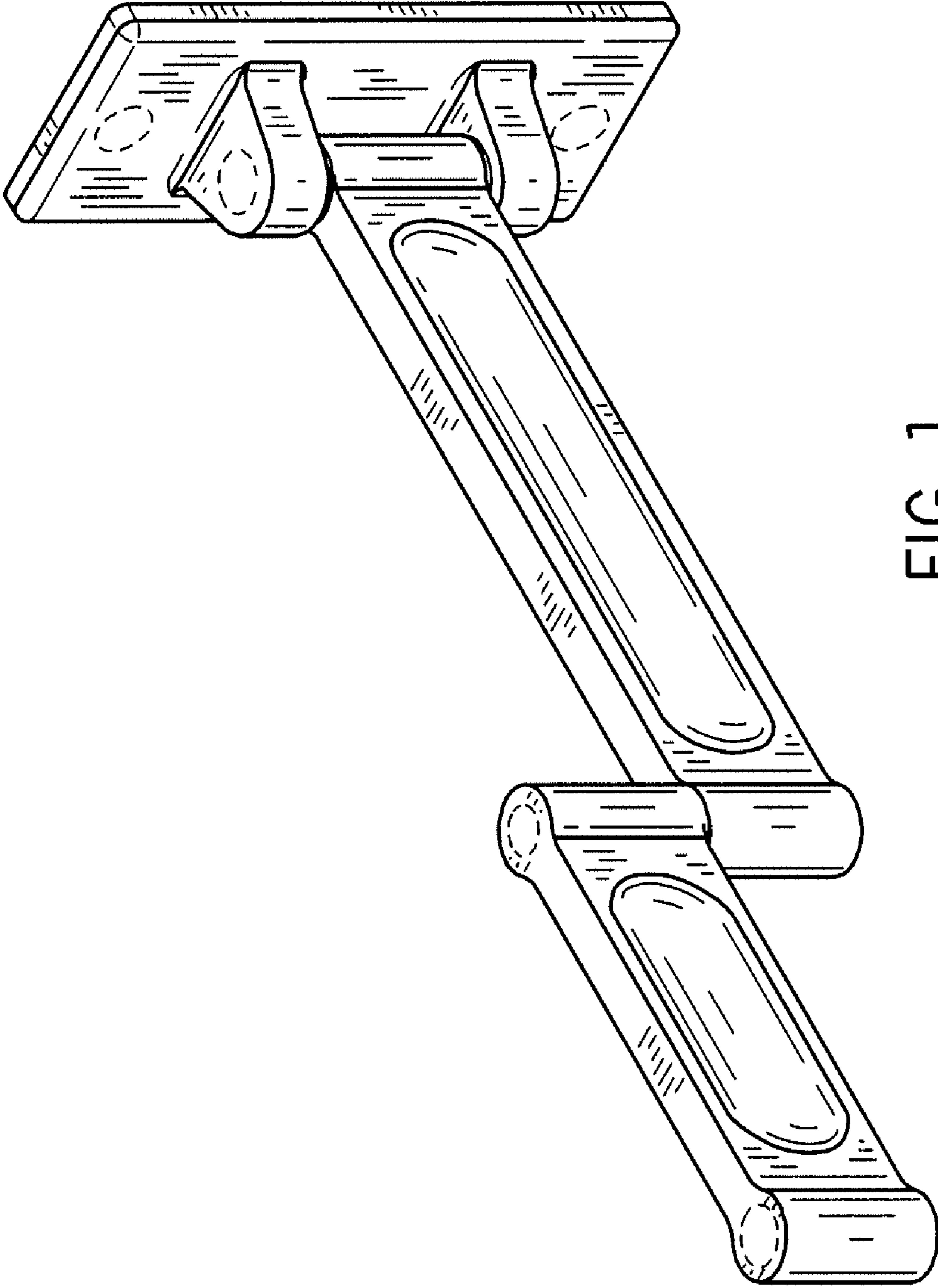


FIG. 1

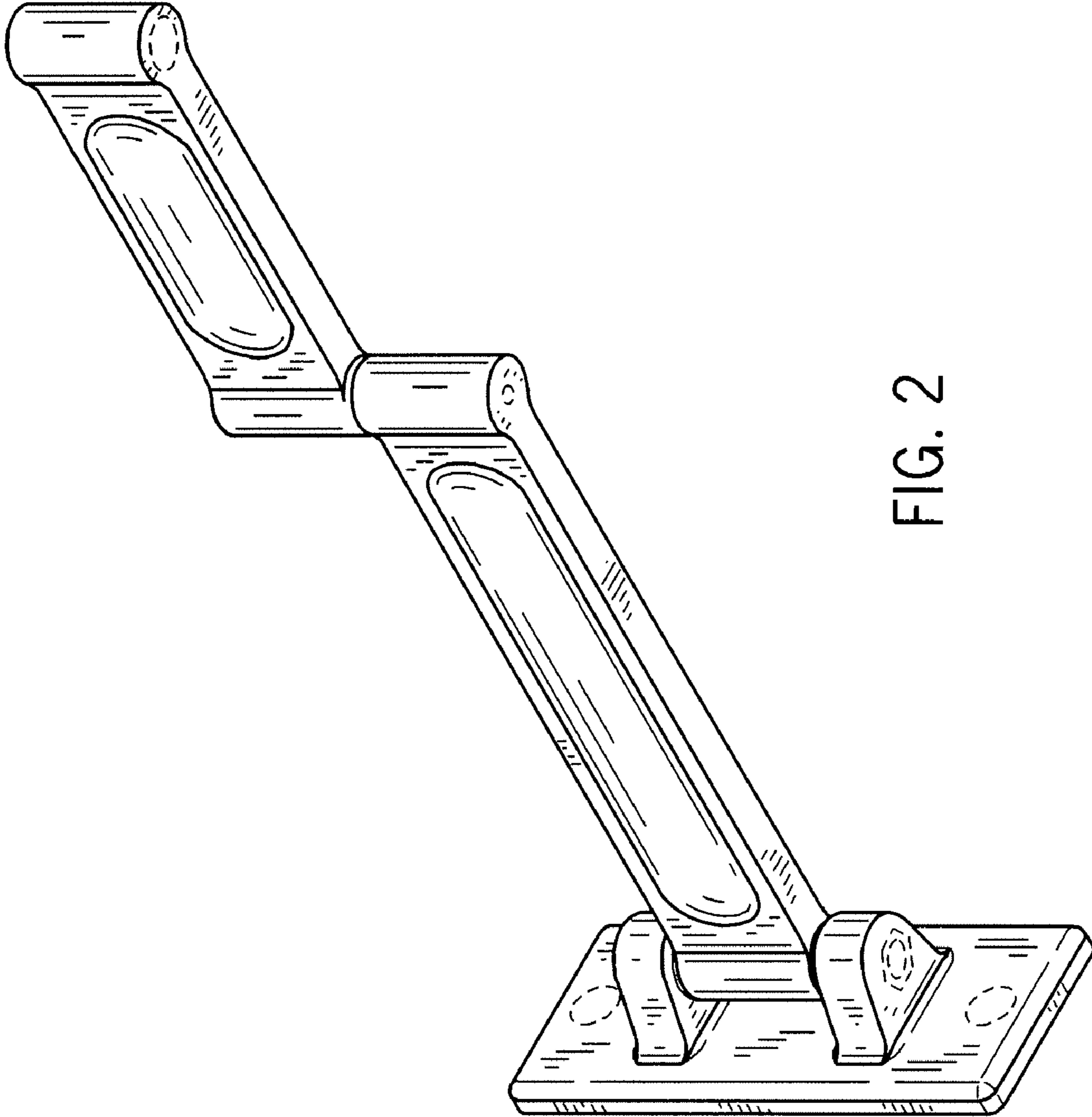


FIG. 2

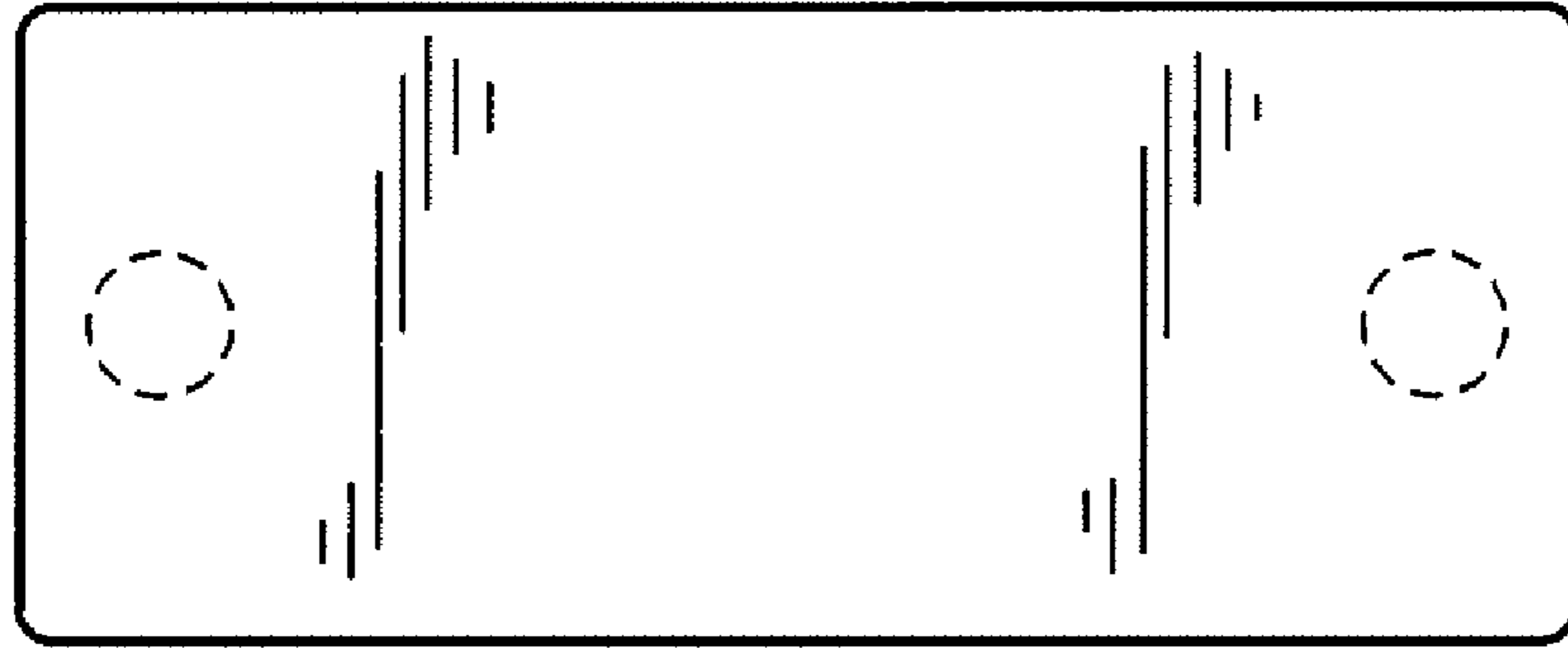


FIG. 8

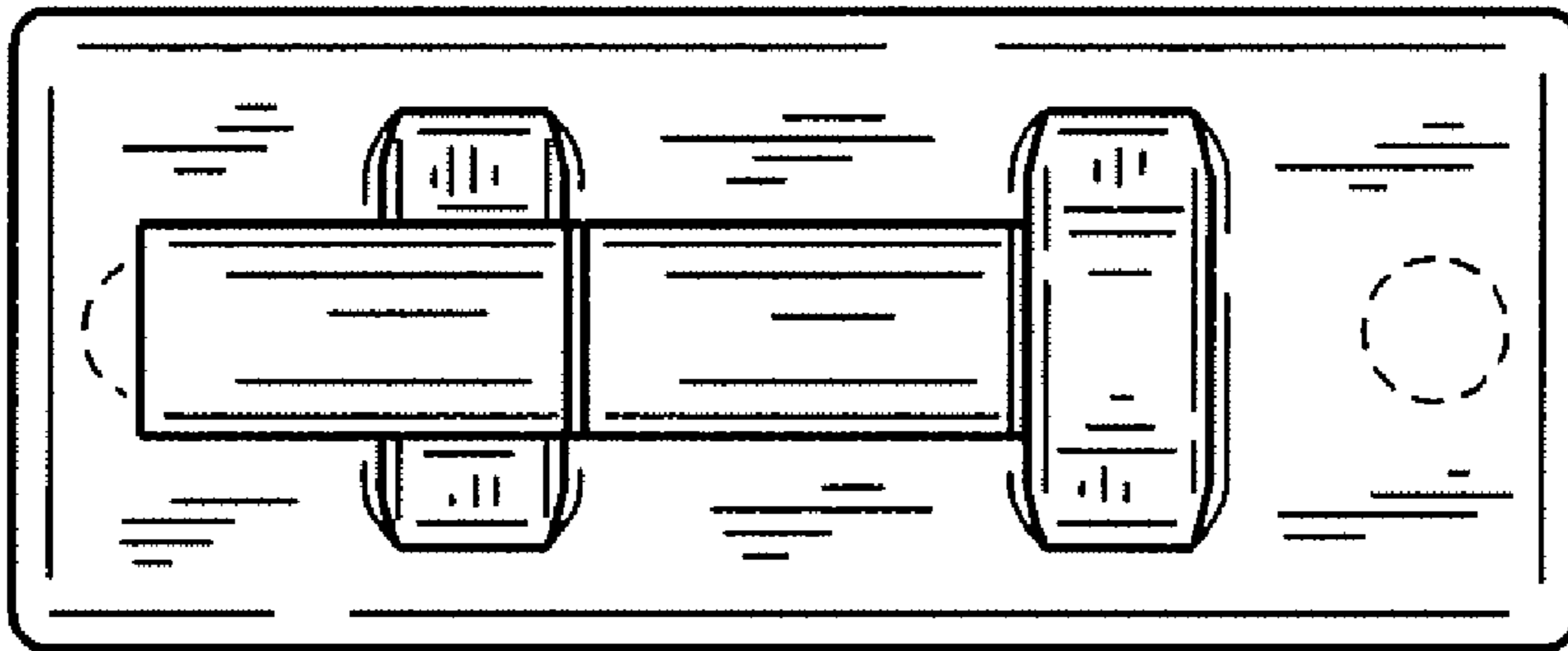


FIG. 3

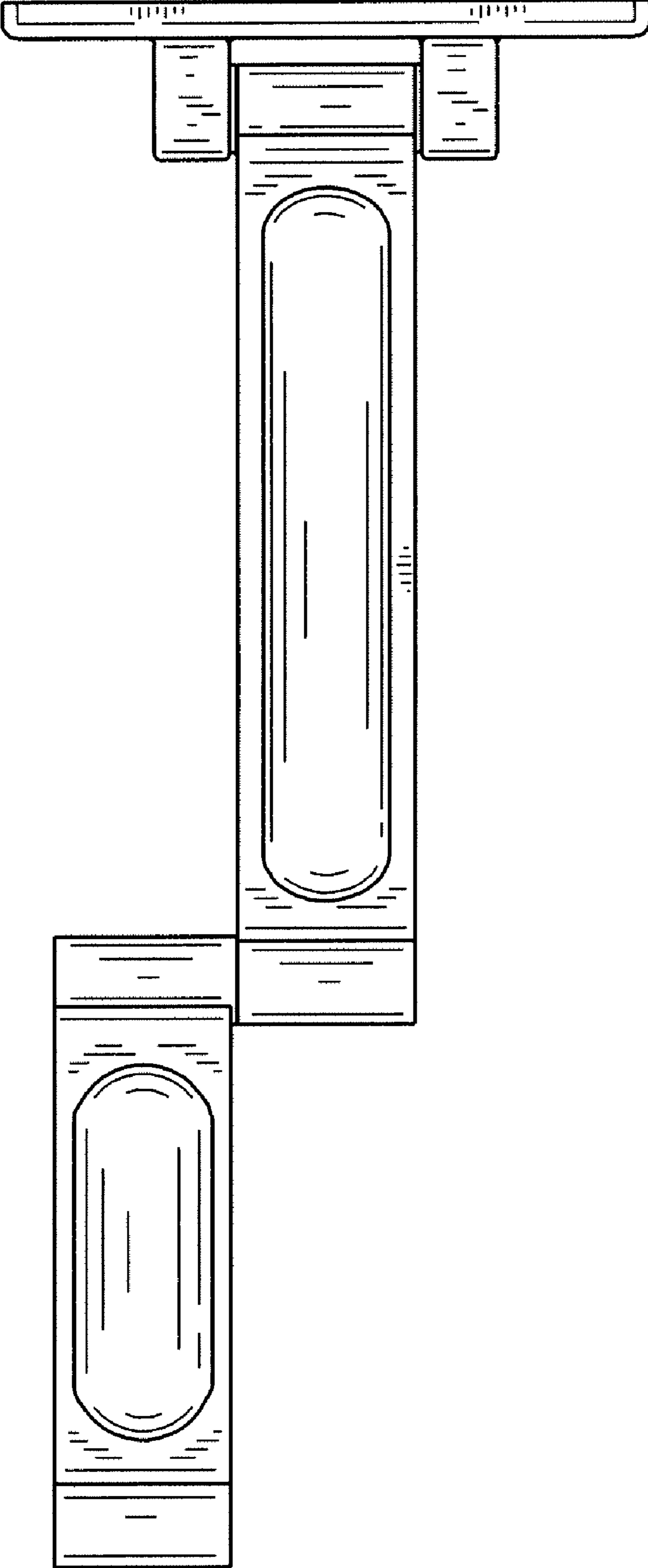


FIG. 4

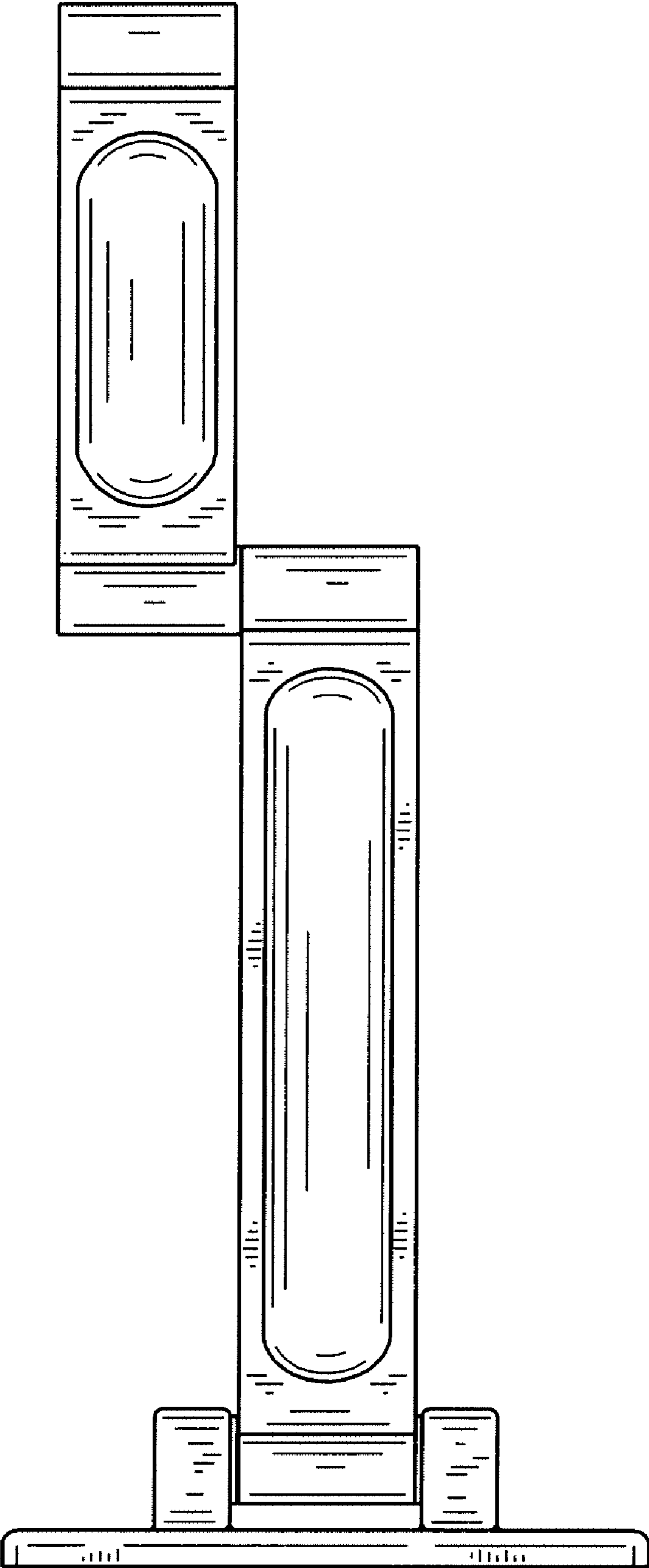


FIG. 5

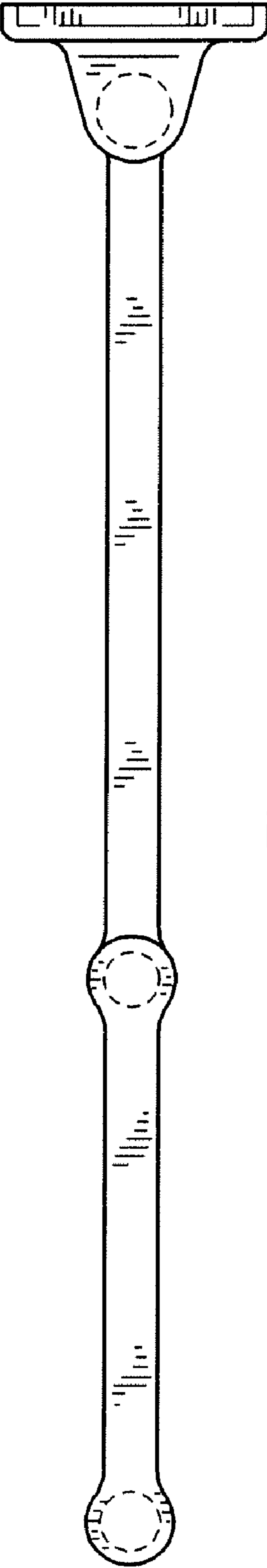


FIG. 6

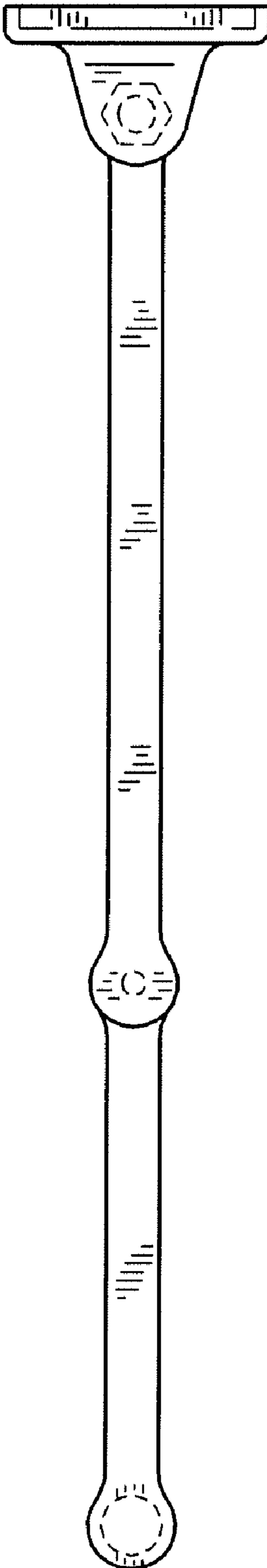


FIG. 7