

US00D630620S

(12) **United States Design Patent**
Lee et al.

(10) **Patent No.:** **US D630,620 S**

(45) **Date of Patent:** **** Jan. 11, 2011**

(54) **BLUE TOOTH EAR SET**

(75) Inventors: **Si-Youn Lee**, Gyeonggi-do (KR);
Chang-Hwan Hwang, Gyeonggi-do
(KR); **Gum-Sool Kim**, Gyeonggi-do
(KR)

(73) Assignee: **Samsung Electronics Co., Ltd.**,
Suwon-Si (KR)

(**) Term: **14 Years**

(21) Appl. No.: **29/347,528**

(22) Filed: **Feb. 24, 2010**

(30) **Foreign Application Priority Data**

Nov. 6, 2009 (KR) 30-2009-0048995

(51) **LOC (9) Cl.** **14-01**

(52) **U.S. Cl.** **D14/223**

(58) **Field of Classification Search** D14/205,
D14/206, 223; 181/129, 130; 379/430, 433.01;
381/380, 381; 455/90.3, 575.1

See application file for complete search history.

(56) **References Cited**

U.S. PATENT DOCUMENTS

D529,483 S *	10/2006	Kim et al.	D14/223
D537,812 S *	3/2007	Erich et al.	D14/206
D553,613 S *	10/2007	Sade et al.	D14/223
D559,836 S *	1/2008	Lee	D14/223
D574,367 S *	8/2008	Jaakkola et al.	D14/223
D579,006 S *	10/2008	Kim et al.	D14/223
D579,924 S *	11/2008	Sade et al.	D14/223
D579,925 S *	11/2008	Jaakkola et al.	D14/223

D585,430 S *	1/2009	Kim et al.	D14/223
D590,378 S *	4/2009	Bradford	D14/223
D594,443 S *	6/2009	Lee et al.	D14/223
D595,272 S *	6/2009	Kim et al.	D14/223
D596,166 S *	7/2009	Henning	D14/223
D602,005 S *	10/2009	Lee et al.	D14/223
D602,006 S *	10/2009	Kim et al.	D14/223
D602,007 S *	10/2009	Lee et al.	D14/223
D602,476 S *	10/2009	Lee et al.	D14/223
D602,477 S *	10/2009	Lee et al.	D14/223
D606,050 S *	12/2009	Nousiainen	D14/223
D606,521 S *	12/2009	Birger	D14/223
D622,264 S *	8/2010	Kim et al.	D14/223
D622,266 S *	8/2010	Tzeng et al.	D14/223

* cited by examiner

Primary Examiner—Paula Greene

(74) *Attorney, Agent, or Firm*—Staas & Halsey LLP

(57) **CLAIM**

The ornamental design for a blue tooth ear set, as shown and described.

DESCRIPTION

FIG. 1 is a front perspective view of the blue tooth ear set;
 FIG. 2 is a front view of the blue tooth ear set of FIG. 1;
 FIG. 3 is a rear view of the blue tooth ear set of FIG. 1;
 FIG. 4 is a left-side view of the blue tooth ear set of FIG. 1;
 FIG. 5 is a right-side view of the blue tooth ear set of FIG. 1;
 FIG. 6 is a top plan view of the blue tooth ear set of FIG. 1;
 and,
 FIG. 7 is a bottom view of the blue tooth ear set of FIG. 1;

1 Claim, 4 Drawing Sheets

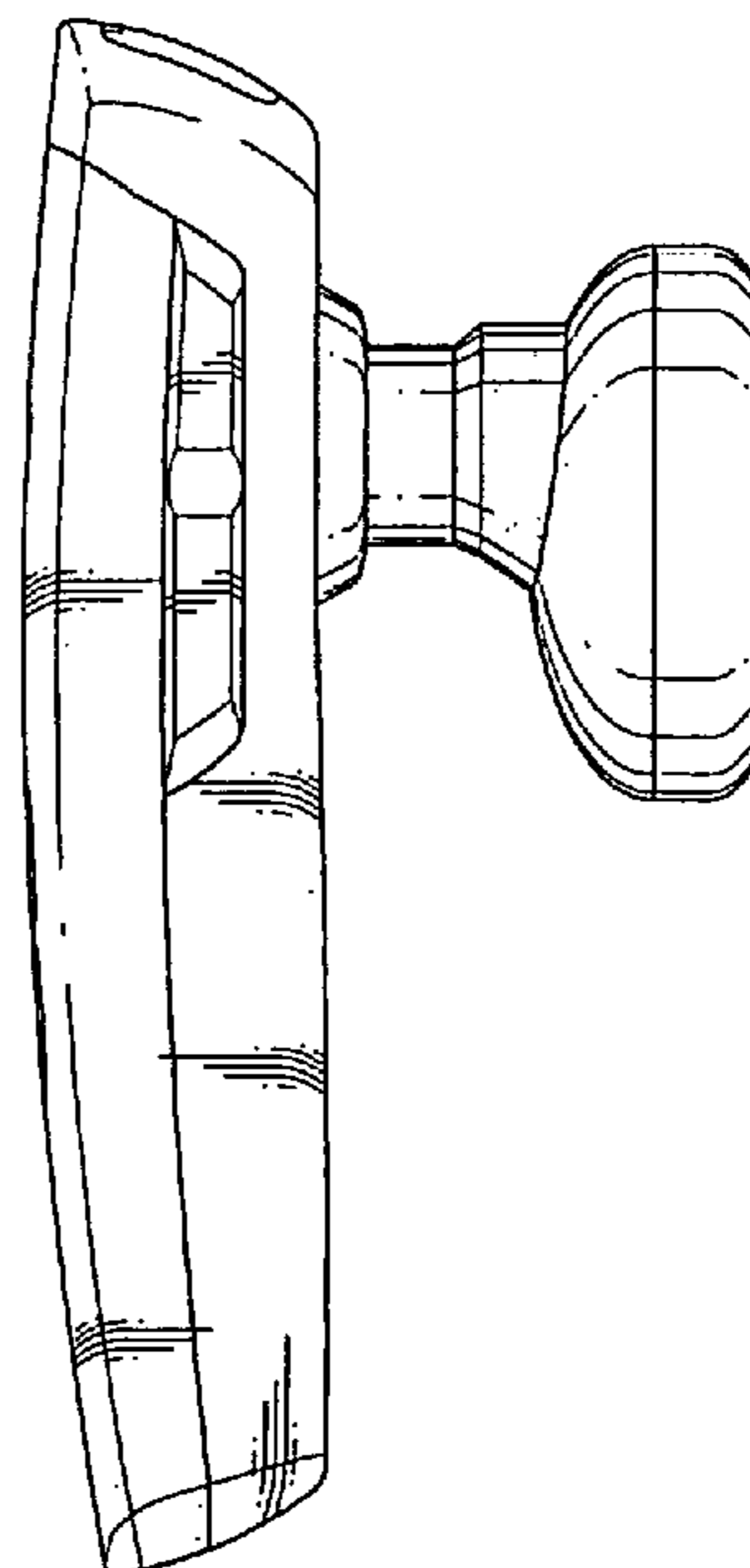
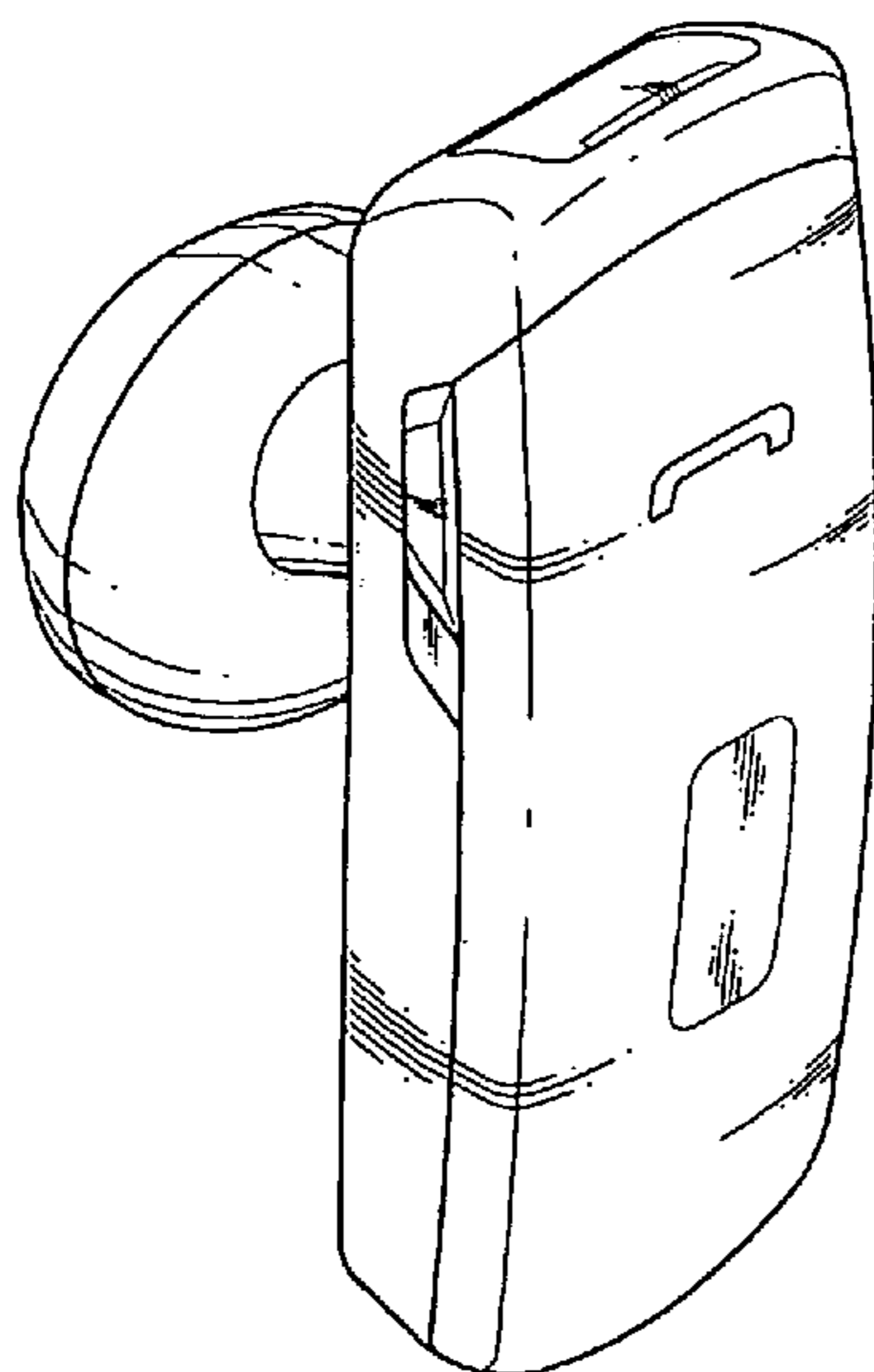


FIG. 1

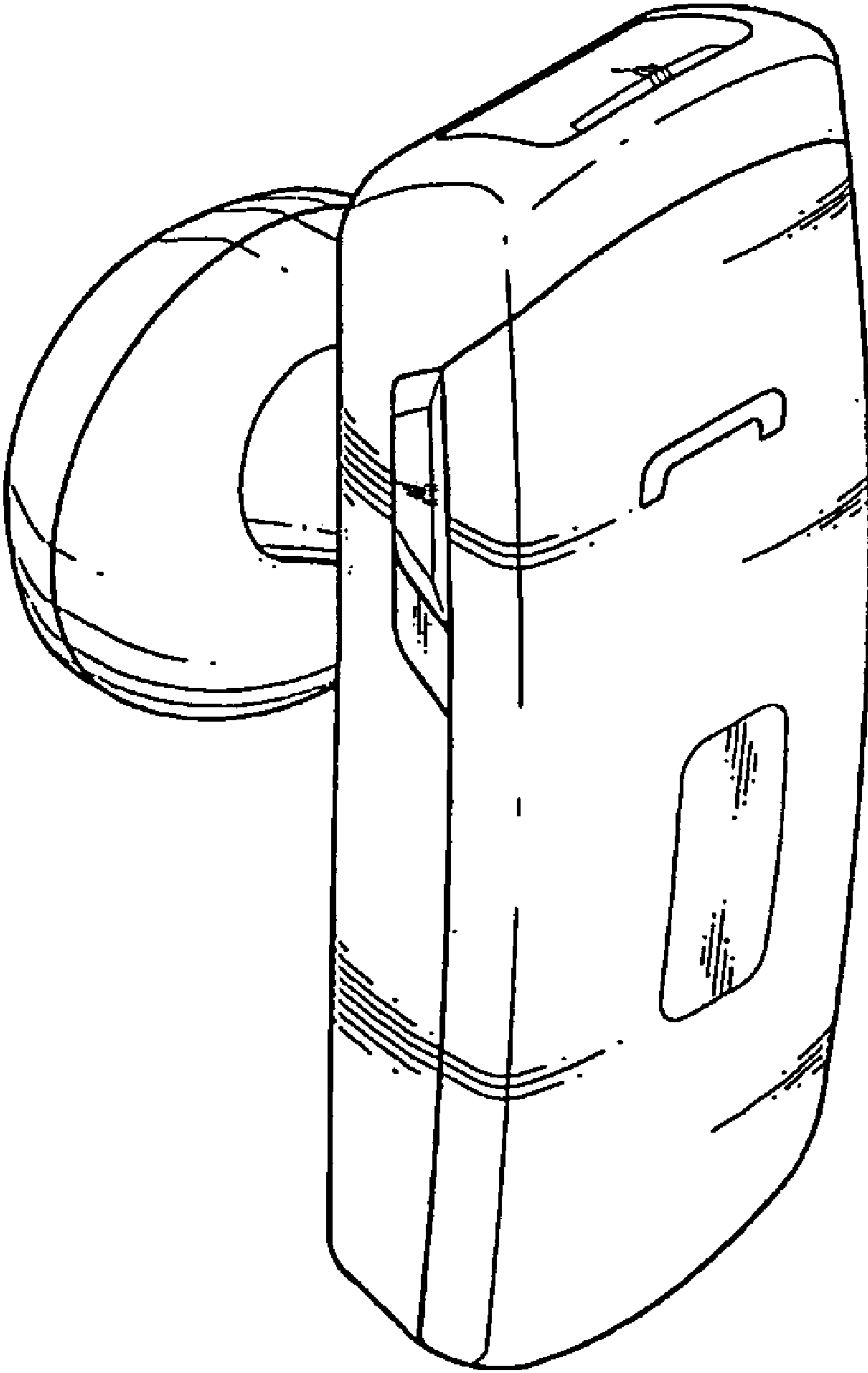


FIG. 2

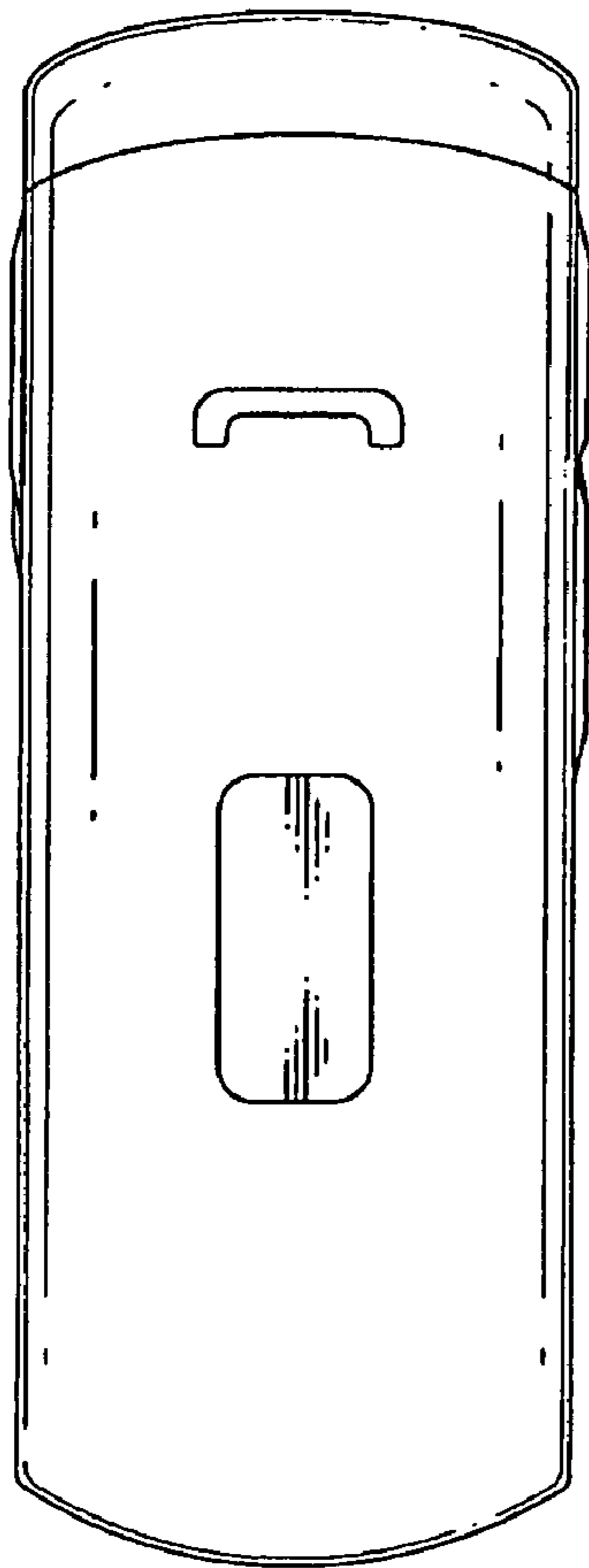


FIG. 3

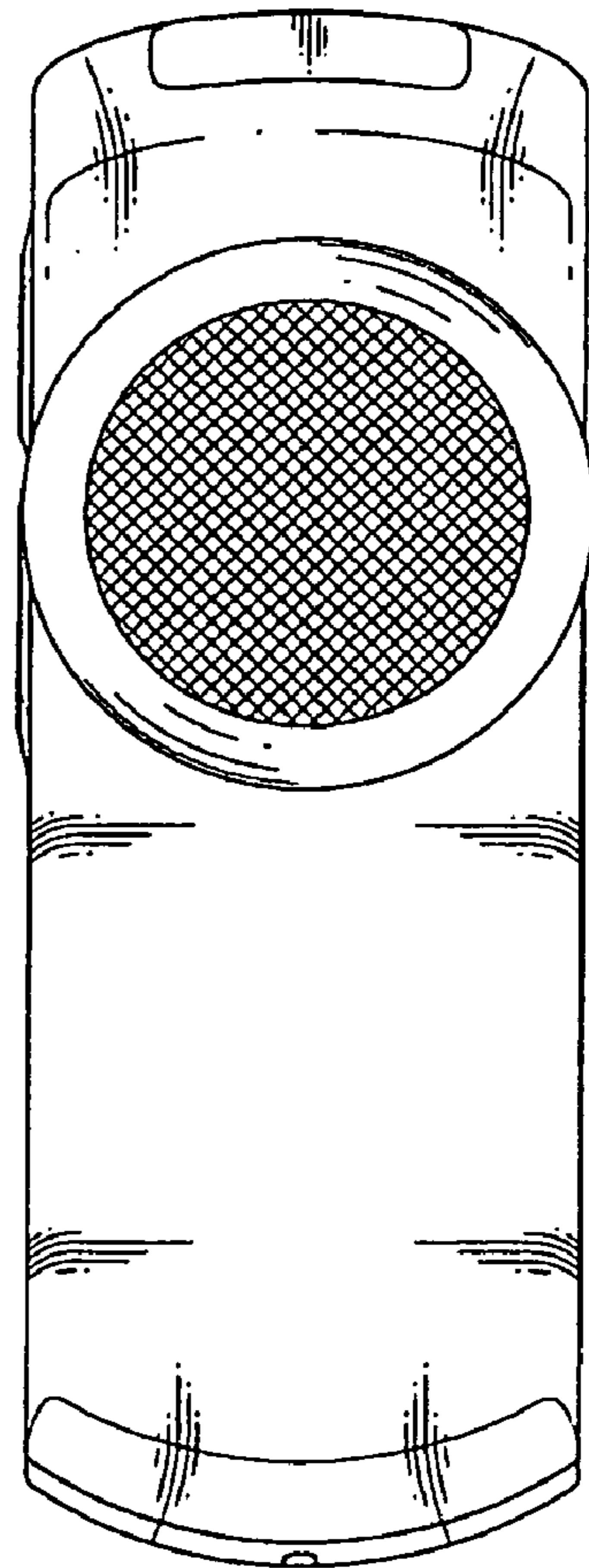


FIG. 4

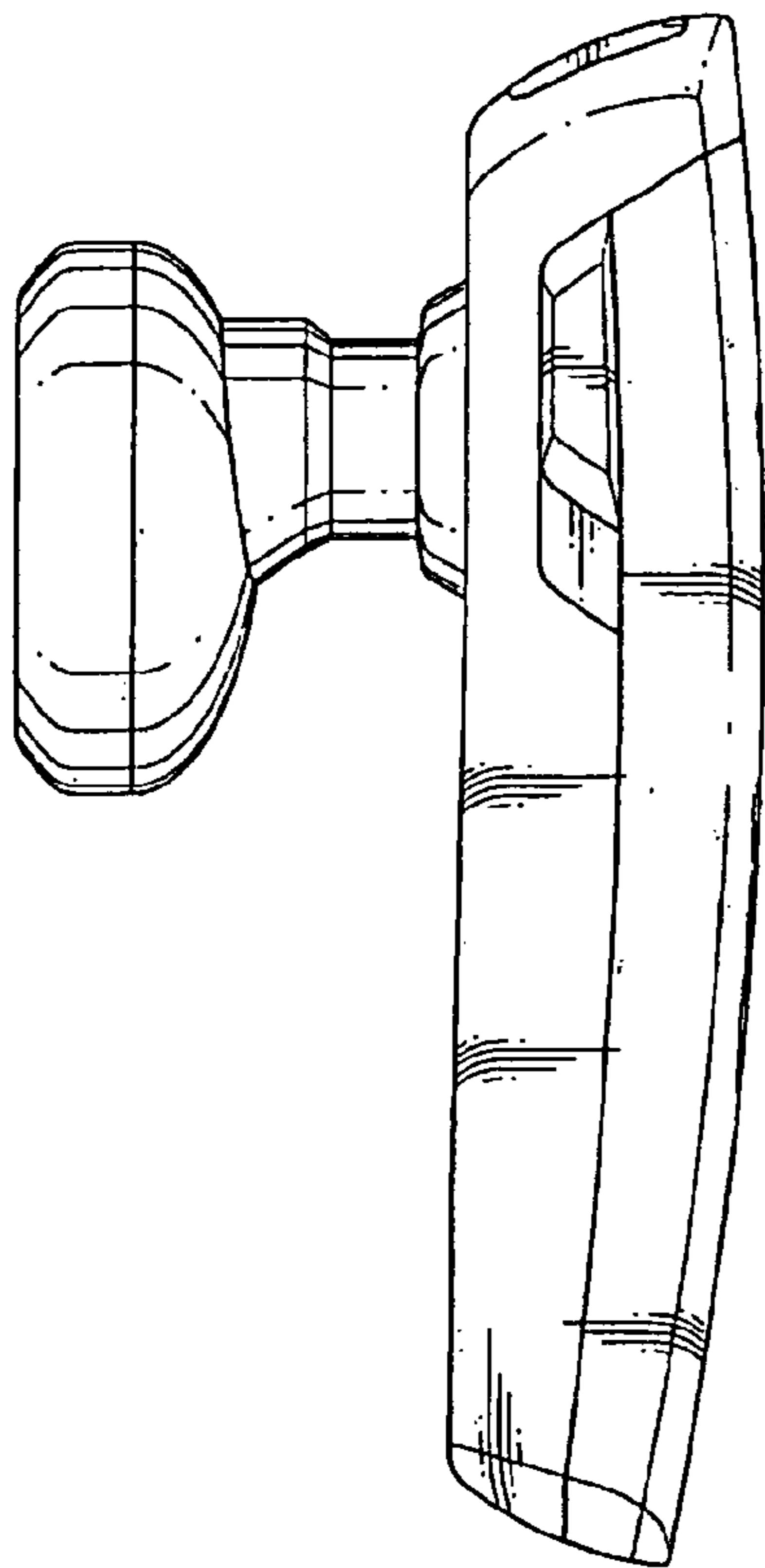


FIG. 5

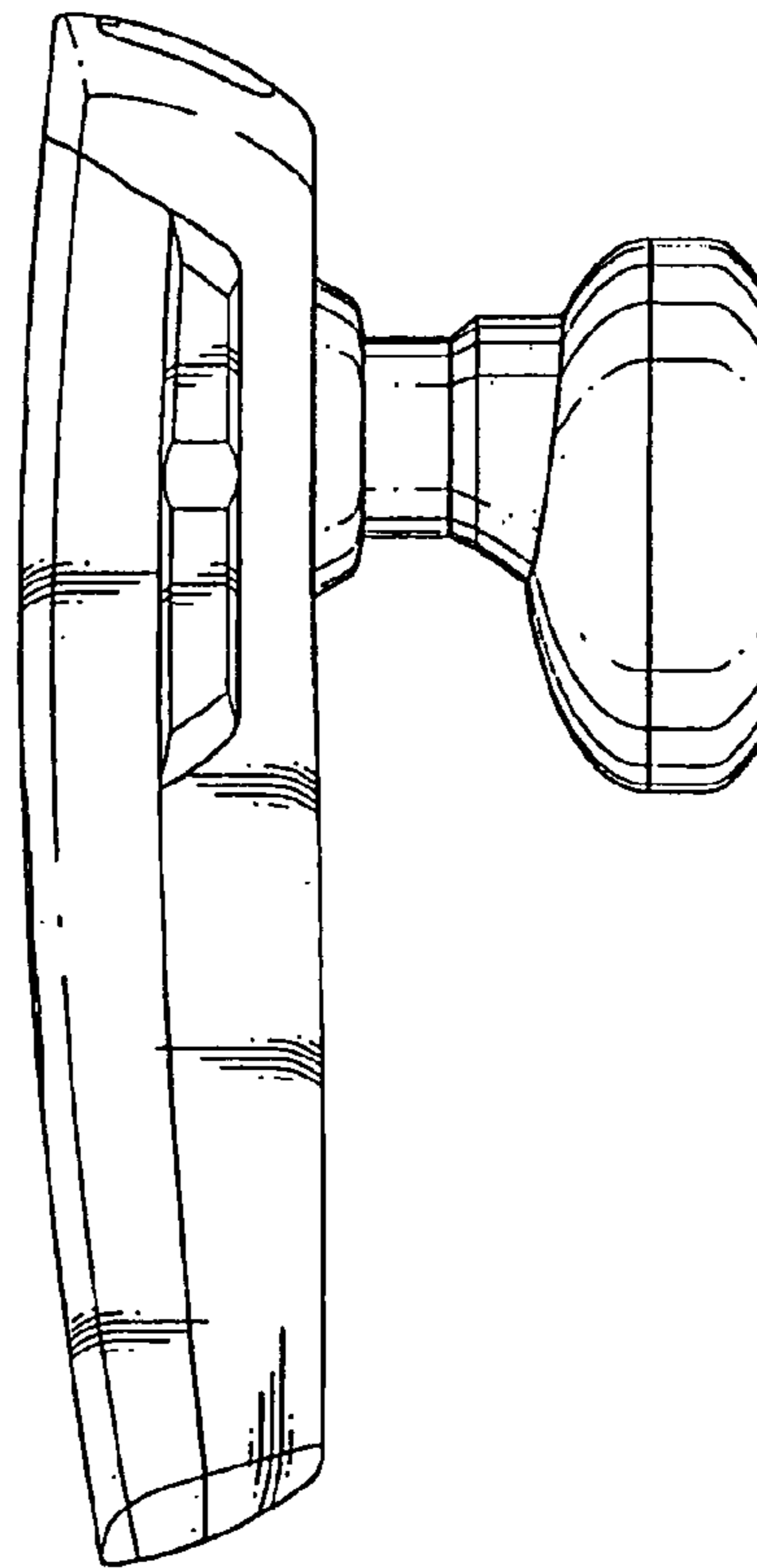


FIG. 6

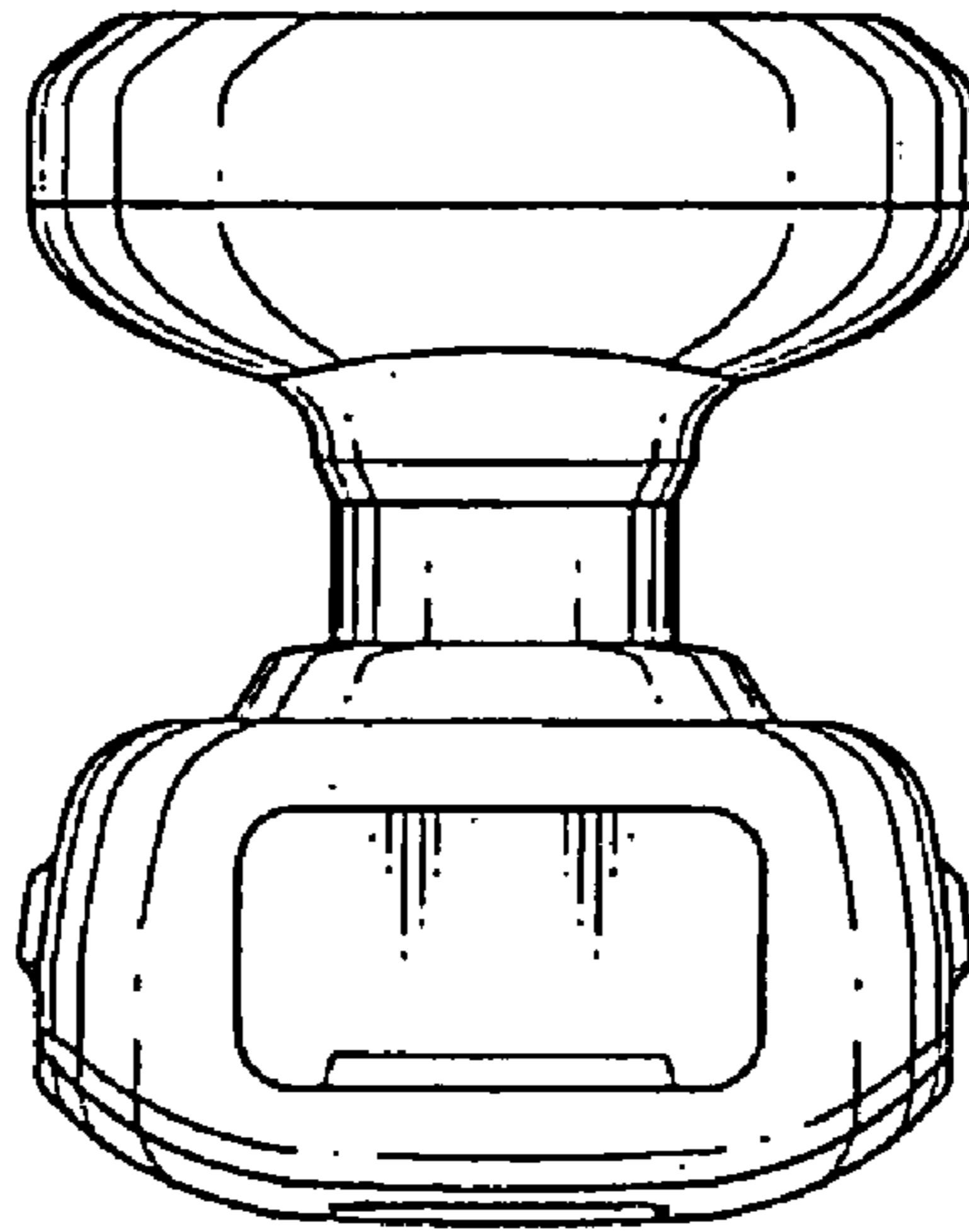


FIG. 7

