

US00D630618S

(12) **United States Design Patent**
Kim et al.

(10) **Patent No.:** **US D630,618 S**
(45) **Date of Patent:** **** Jan. 11, 2011**

(54) **REMOTE CONTROLLER**
(75) Inventors: **Yong Soo Kim**, Seoul (KR); **Sang Won Yoon**, Seoul (KR); **A Reum Kwon**, Seoul (KR); **Yong Ho Lee**, Seoul (KR)
(73) Assignee: **LG Electronics Inc.**, Seoul (KR)
(**) Term: **14 Years**
(21) Appl. No.: **29/354,144**
(22) Filed: **Jan. 20, 2010**
(30) **Foreign Application Priority Data**
Jul. 21, 2009 (KR) 30-2009-0032241

D500,991 S * 1/2005 Niitsu D14/126
D501,463 S * 2/2005 Hisatsune D14/218
D509,198 S * 9/2005 Ahn D14/126
D512,424 S * 12/2005 Kim D14/375
D519,117 S * 4/2006 Lewis D14/374
D521,997 S * 5/2006 Park et al. D14/375
D522,509 S * 6/2006 Park et al. D14/375
D534,138 S * 12/2006 Lee et al. D14/126
D543,982 S * 6/2007 Hasegawa et al. D14/371
D544,861 S * 6/2007 Hwang D14/375
D545,820 S * 7/2007 Won et al. D14/375
D546,299 S * 7/2007 Honda et al. D14/126
D547,755 S * 7/2007 Wang et al. D14/239
D548,708 S * 8/2007 Park et al. D14/126
D556,159 S * 11/2007 Park et al. D14/126
D556,700 S * 12/2007 Igarashi D13/168
D564,468 S * 3/2008 Yoshimura D14/126
D584,309 S * 1/2009 Kim et al. D14/374

(51) **LOC (9) Cl.** **14-03**
(52) **U.S. Cl.** **D14/218**
(58) **Field of Classification Search** D14/174,
D14/137-139, 151, 217, 218, 191-193, 167,
D14/299, 168, 247, 455, 456, 374, 375, 126;
D13/168, 162-164; D21/512-517, 566;
D10/104, 106; 345/169; 348/114, 734;
455/352-355, 151.1-151.4, 128, 347, 90.3
See application file for complete search history.

(56) **References Cited**

U.S. PATENT DOCUMENTS

D326,847 S * 6/1992 Savio D14/375
D357,468 S * 4/1995 Rodd D14/375
D411,522 S * 6/1999 Chuo et al. D14/375
D412,891 S * 8/1999 Sumii D14/374
D416,875 S * 11/1999 Chuo et al. D14/375
D419,977 S * 2/2000 Chuo D14/375
D438,518 S * 3/2001 Kanatani et al. D14/126
D438,848 S * 3/2001 Kita D14/126
D458,238 S * 6/2002 Niitsu D14/126
D463,409 S * 9/2002 Niitsu D14/239
D478,051 S * 8/2003 Sagawa D13/168
D494,553 S * 8/2004 Yang D14/126
D494,941 S * 8/2004 Kim D14/126
D495,370 S * 8/2004 Loerop et al. D20/10
D498,214 S * 11/2004 Ahn et al. D14/126

(Continued)

Primary Examiner—Celia A Murphy
Assistant Examiner—John Windmuller
(74) *Attorney, Agent, or Firm*—Birch, Stewart, Kolasch & Birch, LLP

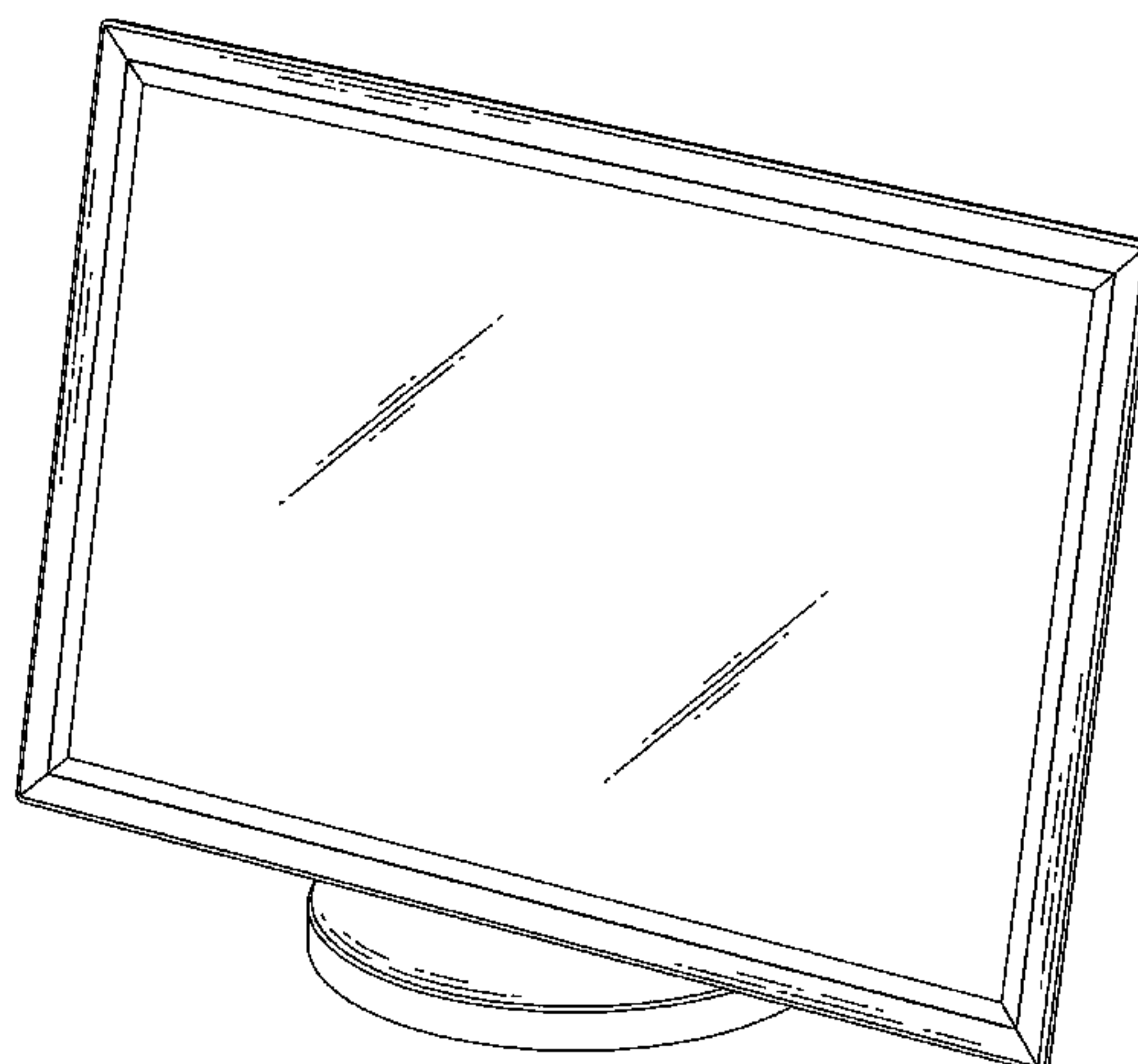
(57) **CLAIM**

We claim the ornamental design for a remote controller, as shown and described.

DESCRIPTION

FIG. 1 is a perspective view of a remote controller showing our new design;
FIG. 2 is a front elevation view thereof;
FIG. 3 is a rear elevation view thereof;
FIG. 4 is a left-side elevation view thereof;
FIG. 5 is a right-side elevation view thereof;
FIG. 6 is a top plan view thereof; and,
FIG. 7 is a bottom plan view thereof.
The broken lines in the figures depict portions of the remote controller that form no part of the claimed design.

1 Claim, 5 Drawing Sheets



US D630,618 S

Page 2

U.S. PATENT DOCUMENTS

D586,769 S *	2/2009	Kita	D14/126	D614,621 S *	4/2010	Hwang et al.	D14/374
D590,374 S *	4/2009	Madonna et al.	D14/218	D616,872 S *	6/2010	Stoddard et al.	D14/218
D591,290 S *	4/2009	Park et al.	D14/371	D616,884 S *	6/2010	Kim et al.	D14/374
D592,664 S *	5/2009	Lee et al.	D14/375	D619,121 S *	7/2010	Feldstein et al.	D14/218
D603,814 S *	11/2009	Yang et al.	D14/126	D619,996 S *	7/2010	Demskie et al.	D14/218
D604,735 S *	11/2009	Hirasawa et al.	D14/375	D620,008 S *	7/2010	Lin et al.	D14/374
D610,584 S *	2/2010	Zhu	D14/374	D620,937 S *	8/2010	Shih et al.	D14/374
D611,439 S *	3/2010	Suzuki et al.	D14/126	D621,401 S *	8/2010	Chang	D14/374
D614,595 S *	4/2010	Kubota	D14/126	D621,833 S *	8/2010	Chang et al.	D14/374
					2002/0080113 A1 *	6/2002	Kim	345/156

* cited by examiner

FIG. 1

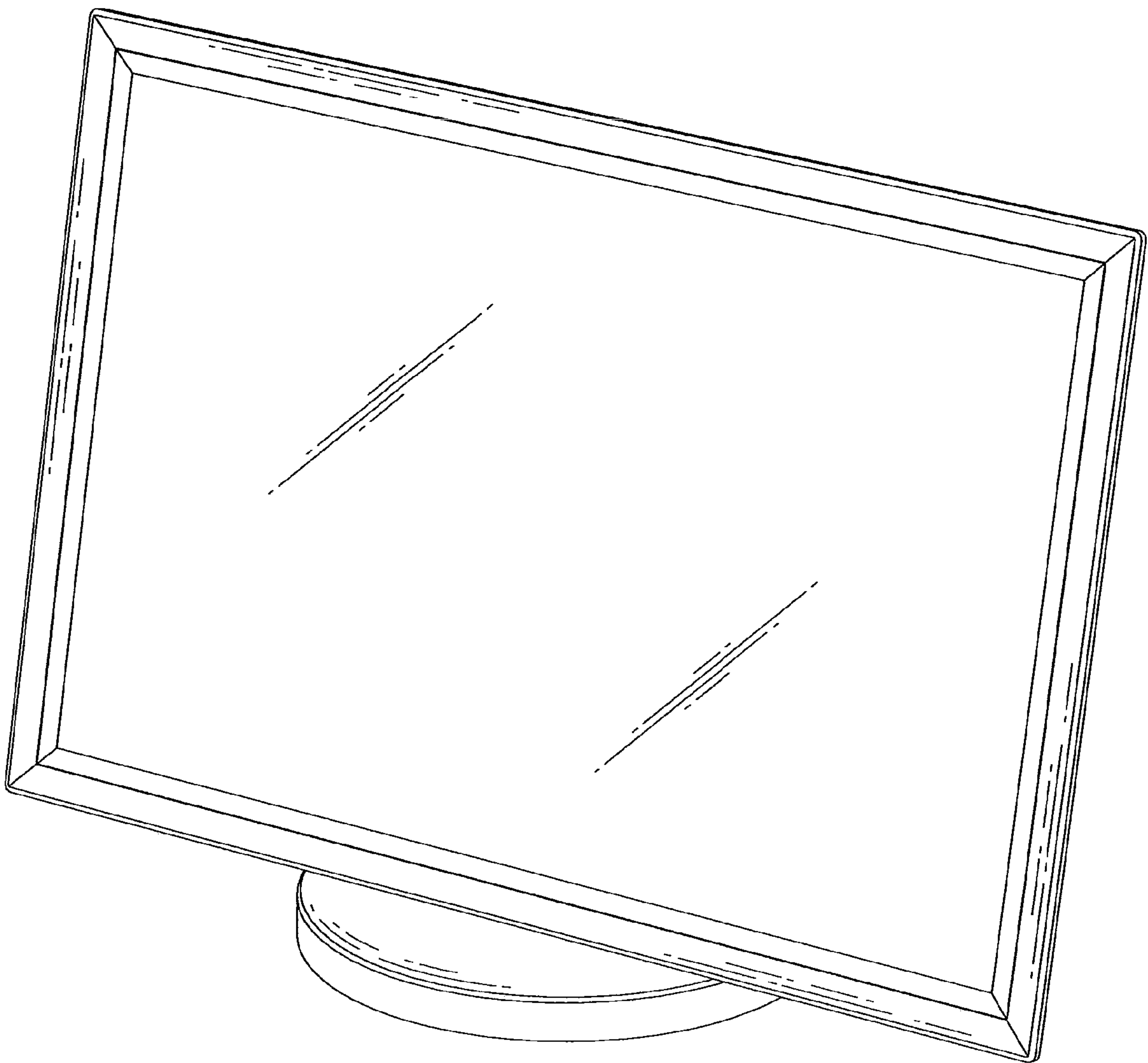


FIG. 2

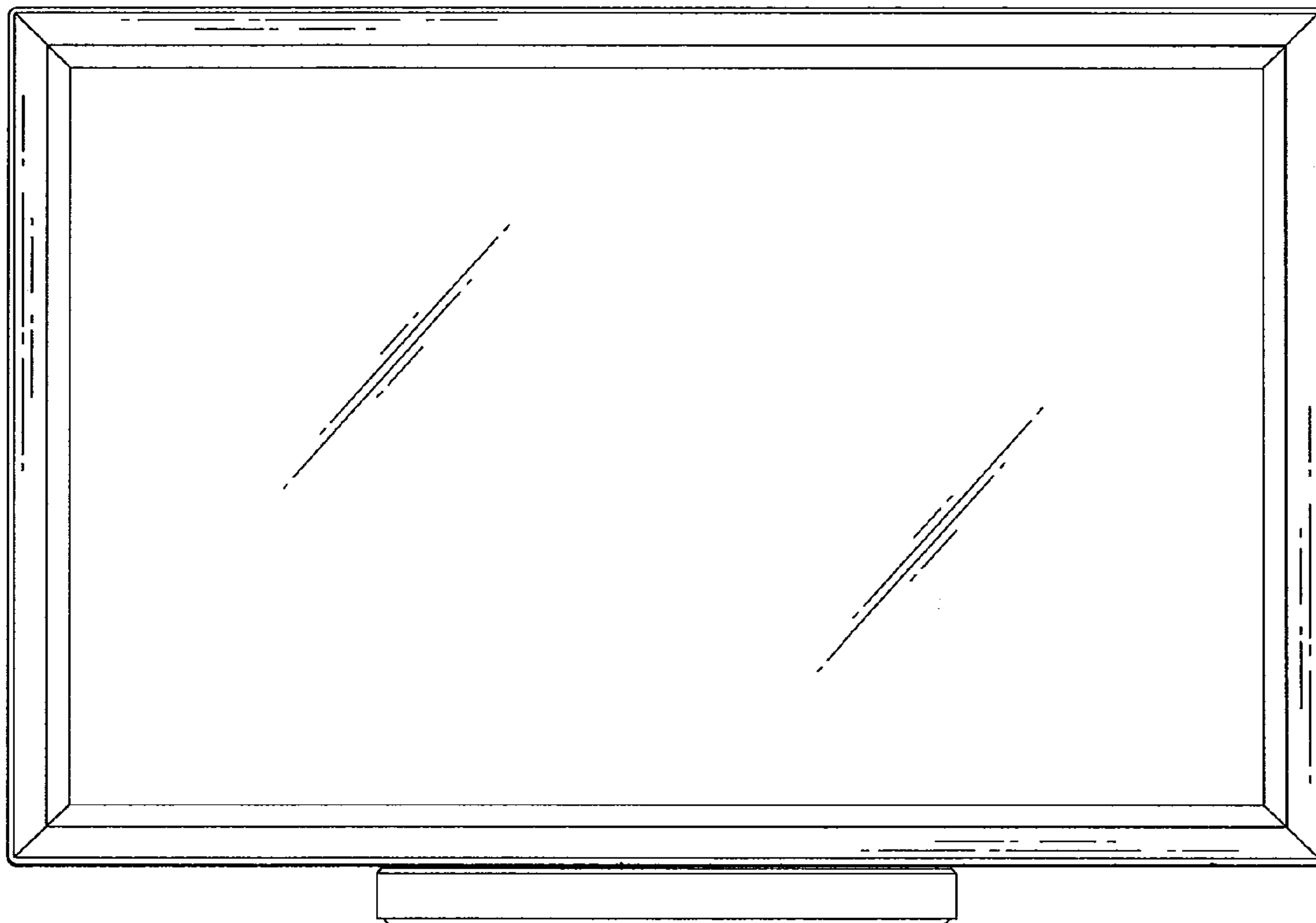


FIG. 3

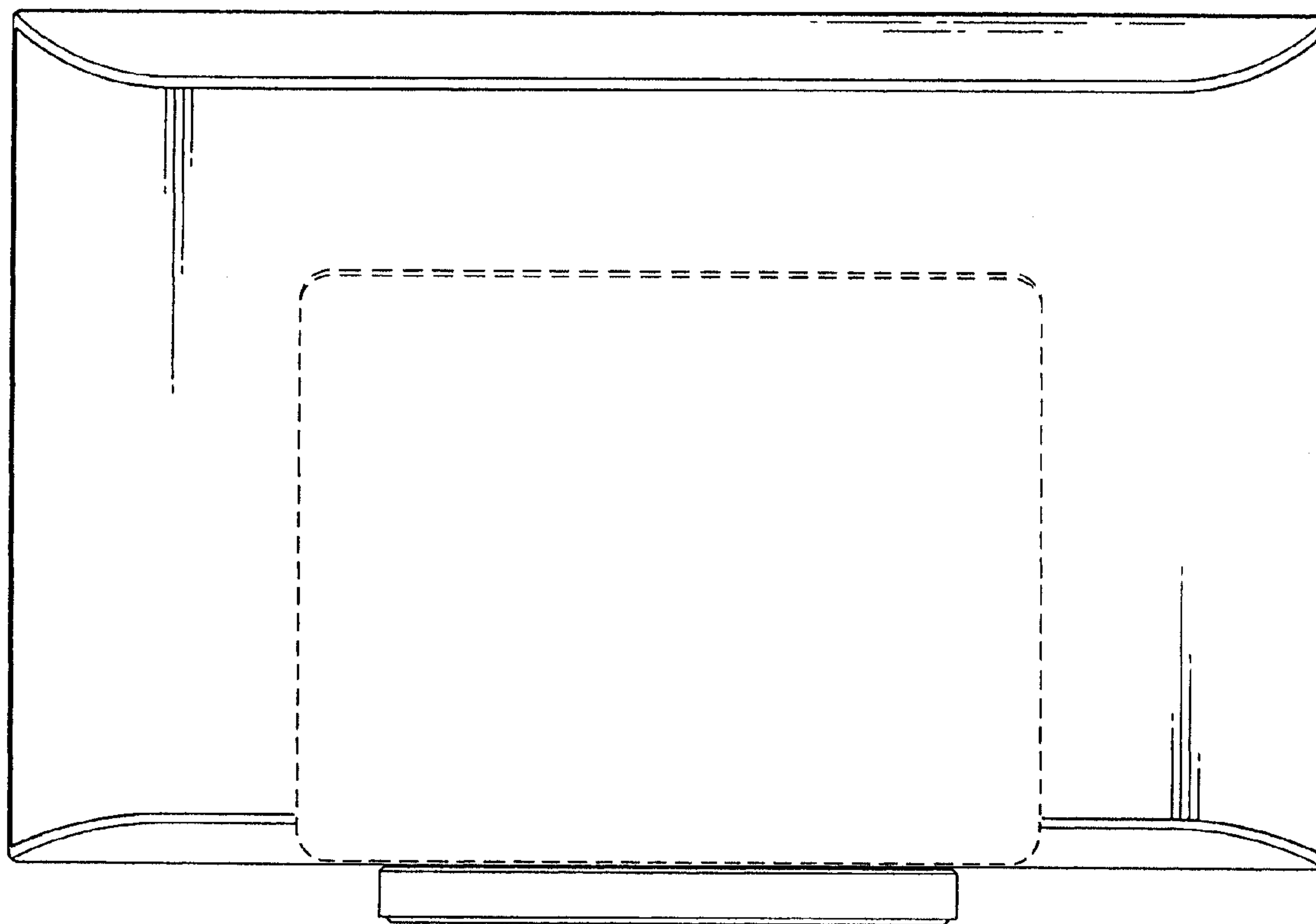


FIG. 4

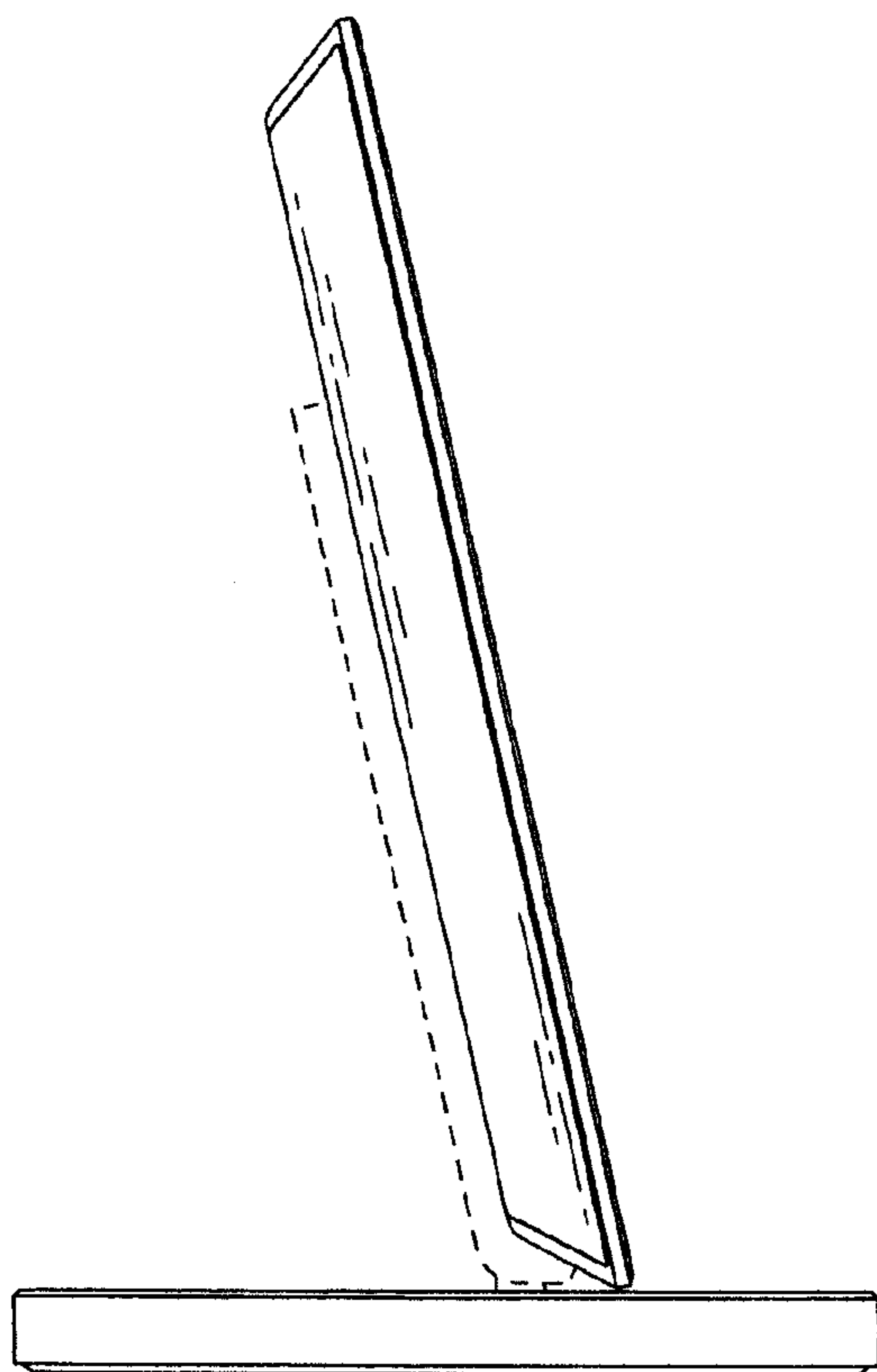


FIG. 5

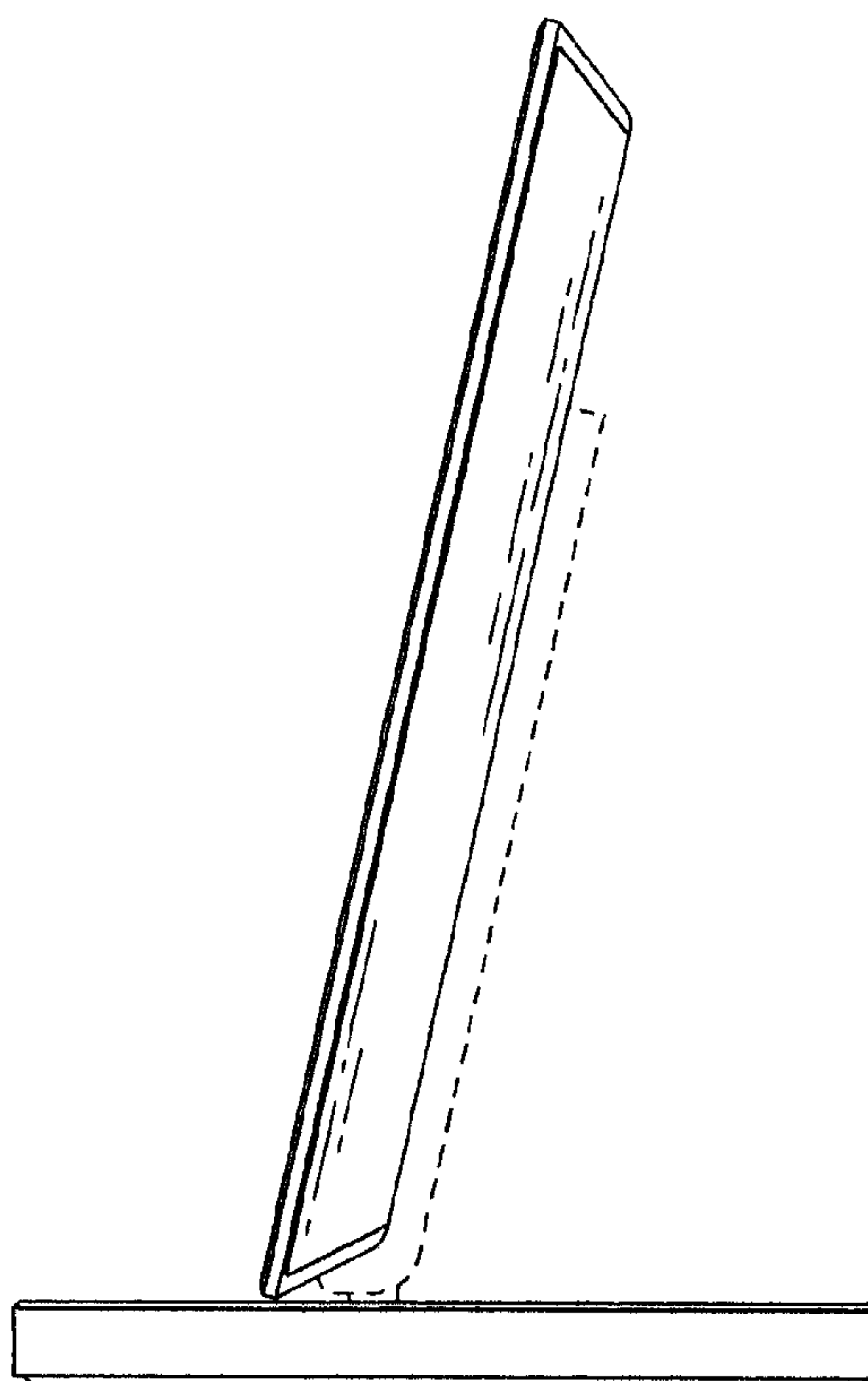


FIG.6

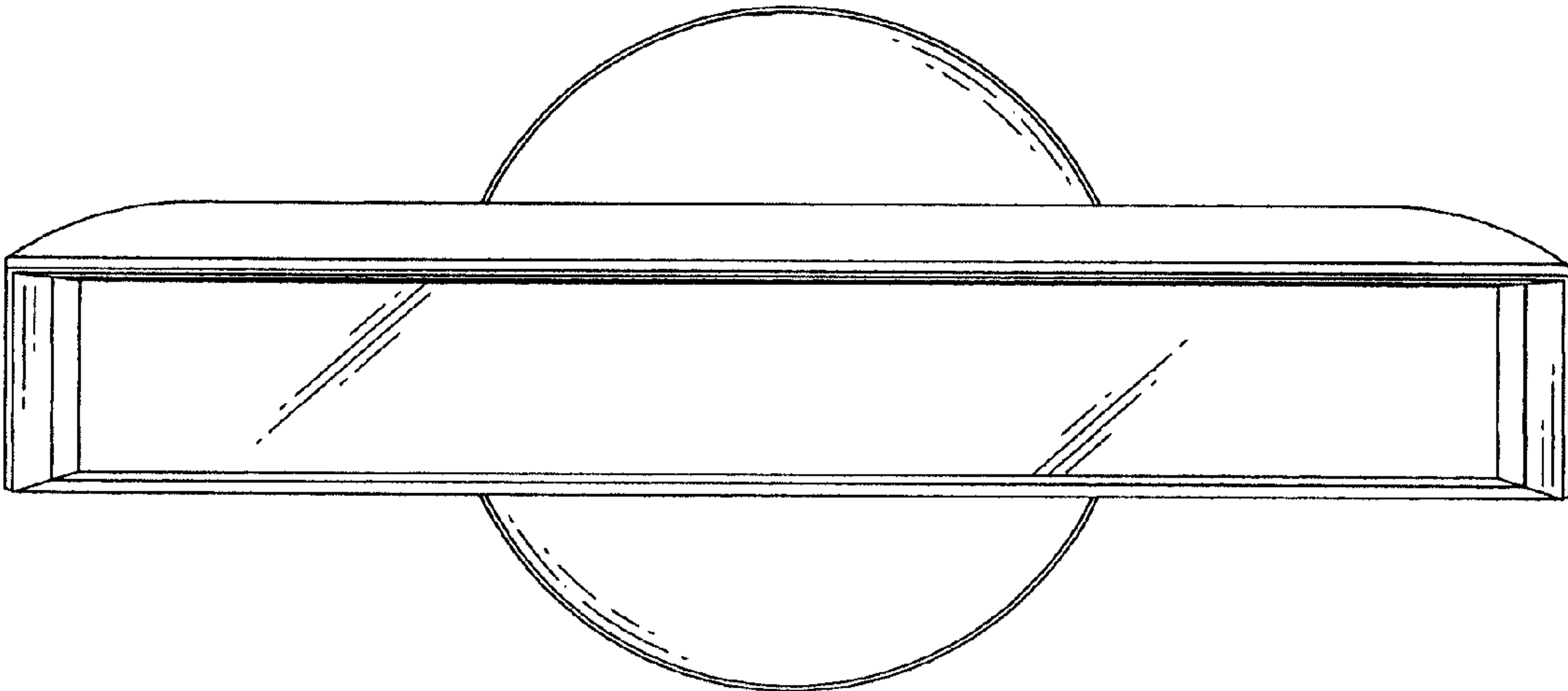


FIG.7

