



US00D630614S

(12) **United States Design Patent**
Lee

(10) **Patent No.:** **US D630,614 S**
(45) **Date of Patent:** **** Jan. 11, 2011**

(54) **PORTABLE MEDIA PLAYER**

(75) Inventor: **Johann Lee**, Whitestone, NY (US)

(73) Assignee: **Coby Electronics Corporation**, Lake Success, NY (US)

(**) Term: **14 Years**

(21) Appl. No.: **29/352,986**

(22) Filed: **Dec. 30, 2009**

(51) **LOC (9) Cl.** **14-03**

(52) **U.S. Cl.** **D14/203.3; D14/496**

(58) **Field of Classification Search** D14/496,
D14/401, 435, 474, 483, 217, 137, 138, 160,
D14/168, 356, 203.1–203.8, 507; 345/156,
345/169, 173–179, 905; 715/727–729, 864;
710/1, 5, 8; 713/1, 600; 455/1.1, 1.7, 73,
455/344–347, 93, 95, 3.01–3.06, 550.1, 573.1;
370/342–344; 369/1, 2, 6–12; 463/43–47;
273/148 B

See application file for complete search history.

(56) **References Cited**

U.S. PATENT DOCUMENTS

6,544,075	B1 *	4/2003	Liao	439/638
6,763,410	B2 *	7/2004	Yu	710/74
6,807,591	B2 *	10/2004	Kao	710/74
D500,302	S *	12/2004	Deguchi	D14/480.1
D511,519	S *	11/2005	Bone et al.	D14/432
D513,005	S *	12/2005	Kobayakawa	D14/480.1
7,074,052	B1 *	7/2006	Ni et al.	439/76.1
D592,227	S *	5/2009	Oh et al.	D14/496
D597,068	S *	7/2009	Whang	D14/203.7

D598,893	S *	8/2009	Asai	D14/188
2004/0233646	A1 *	11/2004	Yen	361/752
2005/0109841	A1 *	5/2005	Ryan et al.	235/380
2006/0094301	A1 *	5/2006	Lee et al.	439/660

* cited by examiner

Primary Examiner—Prabhakar Deshmukh

(74) *Attorney, Agent, or Firm*—Mayer Brown LLP

(57) **CLAIM**

The ornamental design for a portable media player, as shown and described.

DESCRIPTION

A portion of the of this patent document contains material to which a claim for copyright is made. The copyright owner has no objection to the facsimile reproduction by anyone of the patent or the patent disclosure, as it appears in the Patent and Trademark Office patent file or records, by reserves all the copyright rights whatsoever.

FIG. 1 is a front perspective view of a portable media player showing my new design;

FIG. 2 is a top view thereof;

FIG. 3 is a front view thereof;

FIG. 4 is a rear view thereof;

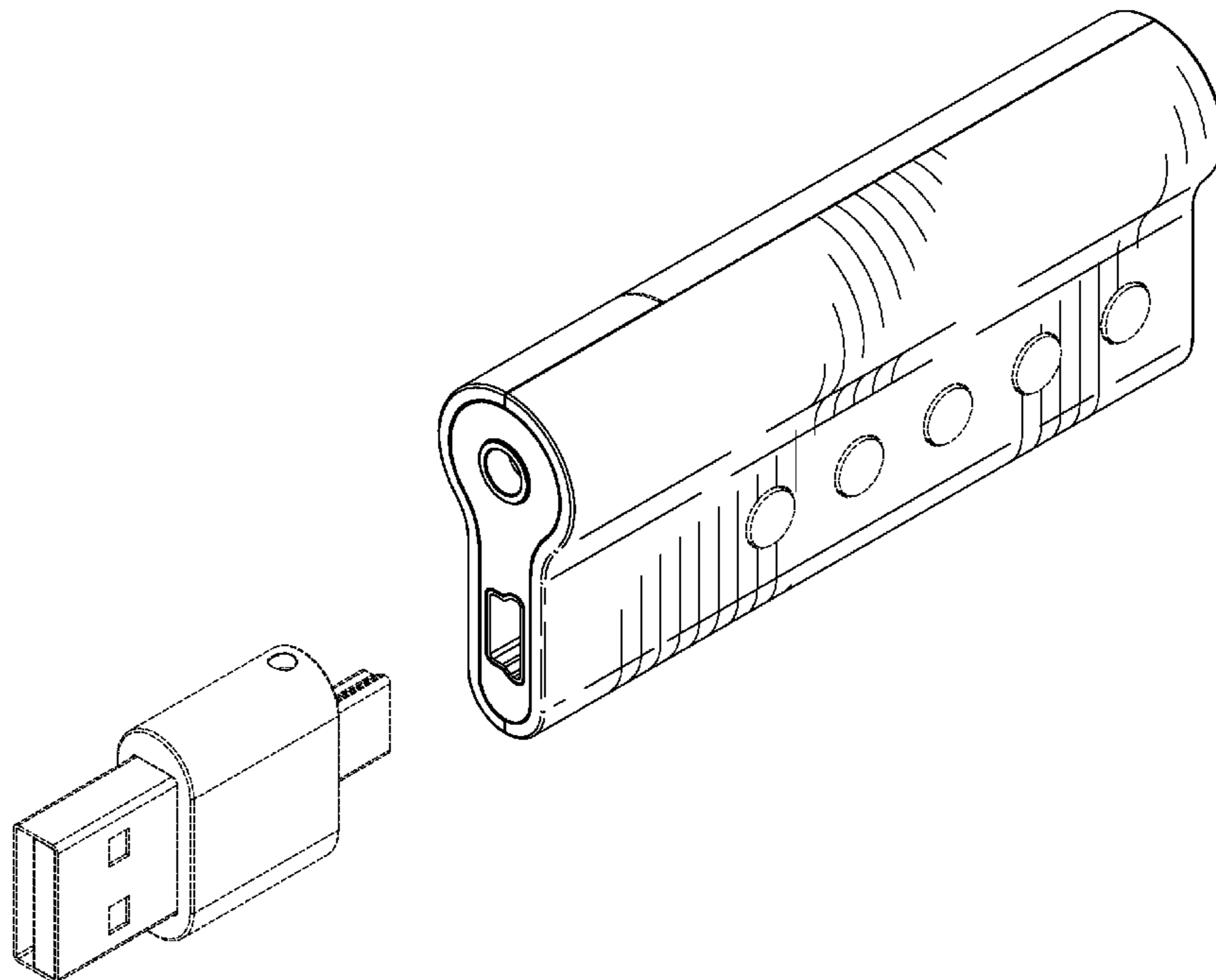
FIG. 5 is a bottom view thereof;

FIG. 6 is a left side view thereof; and,

FIG. 7 is a right side view thereof.

The broken lines environmental form no part of the claimed design. Other broken lines illustrate the disclaimed portions of the design and form no part of the claimed design.

1 Claim, 4 Drawing Sheets



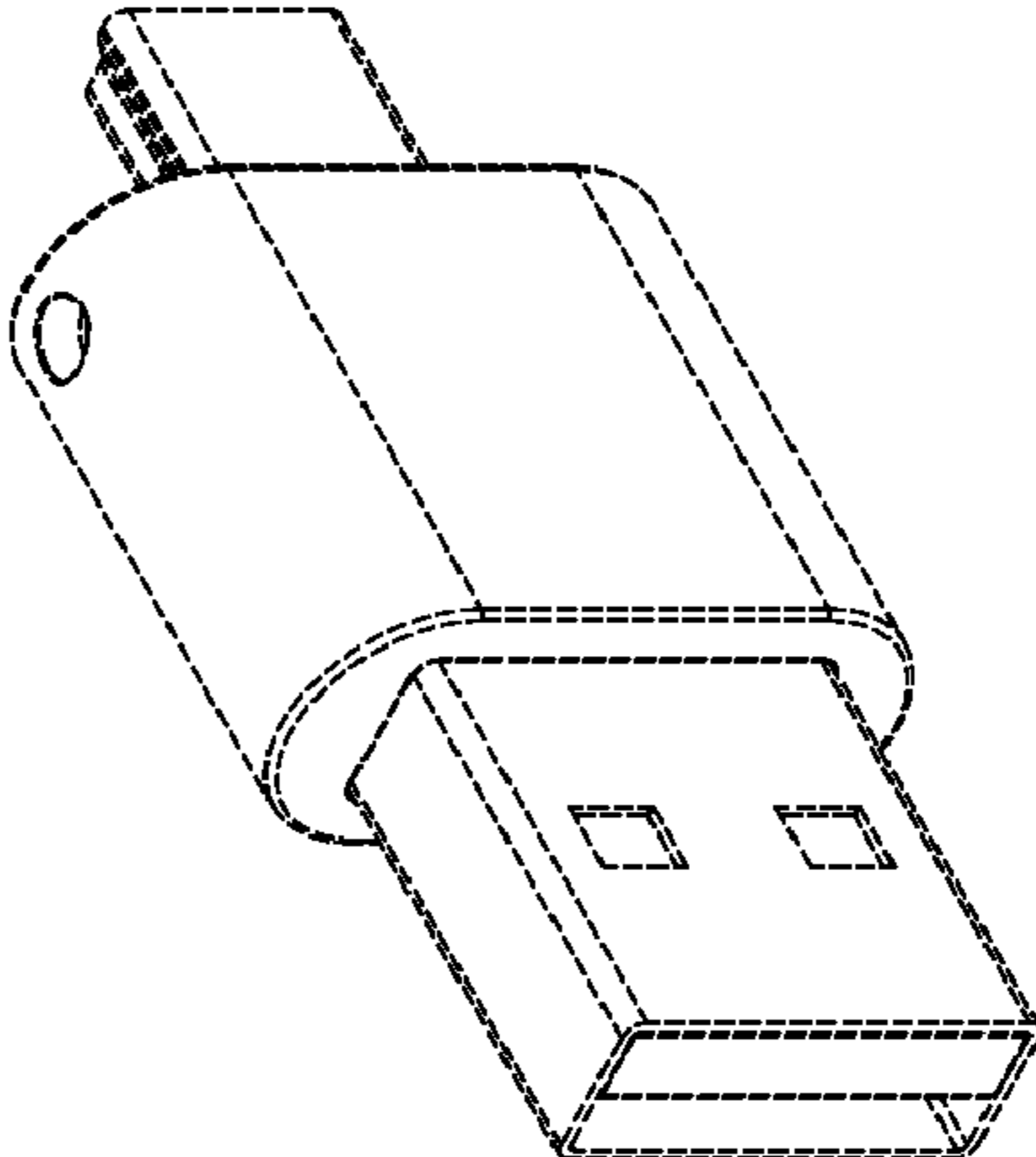
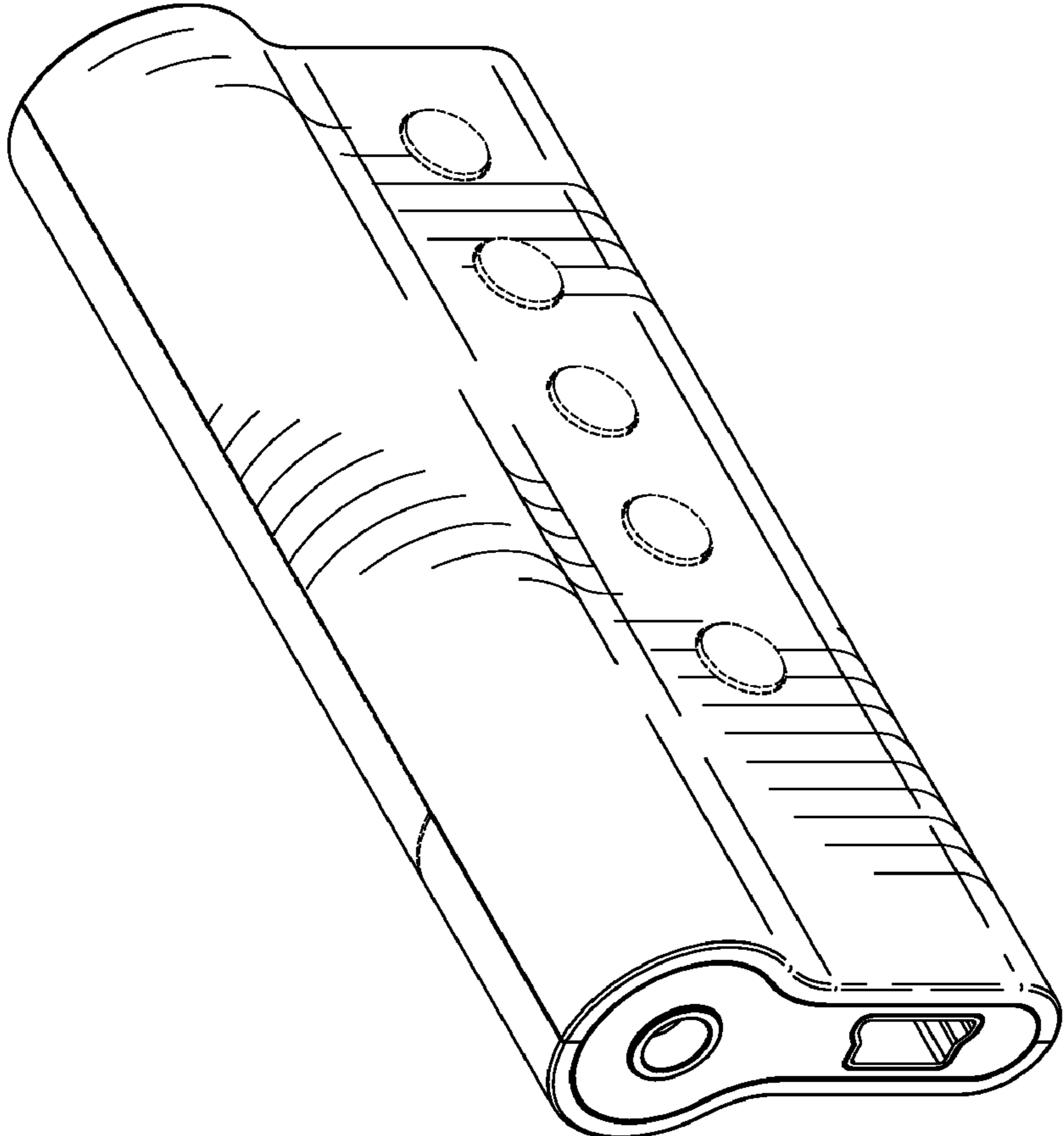


FIG. 1

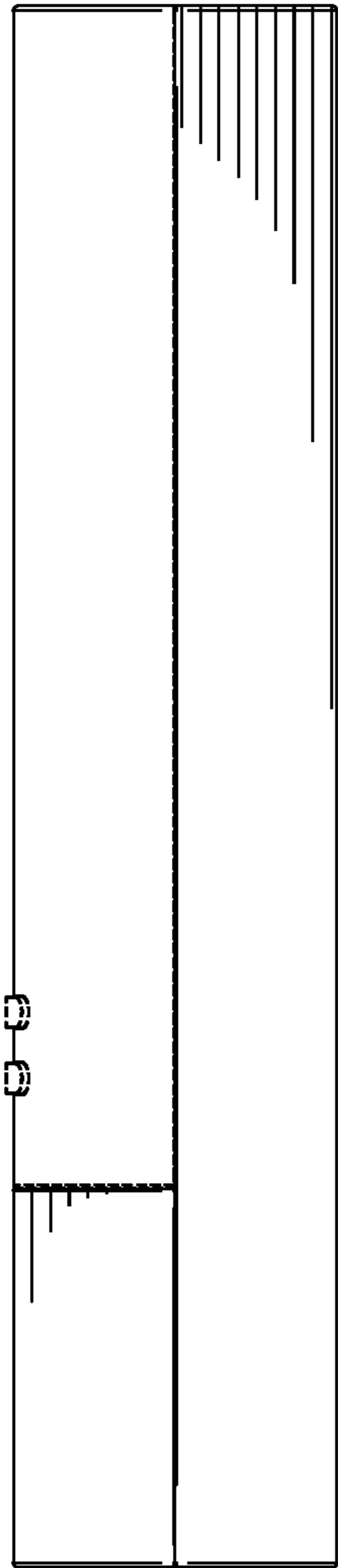


FIG. 2

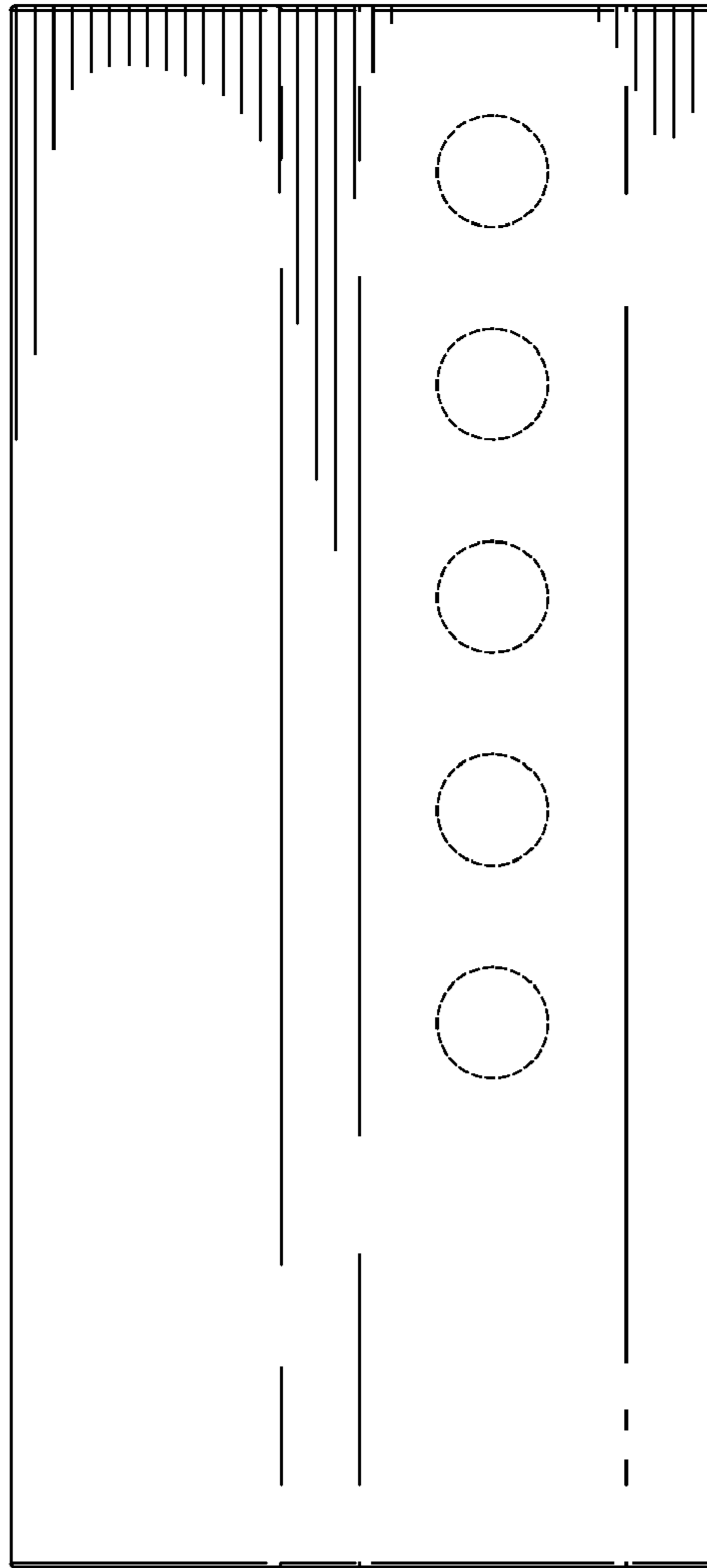
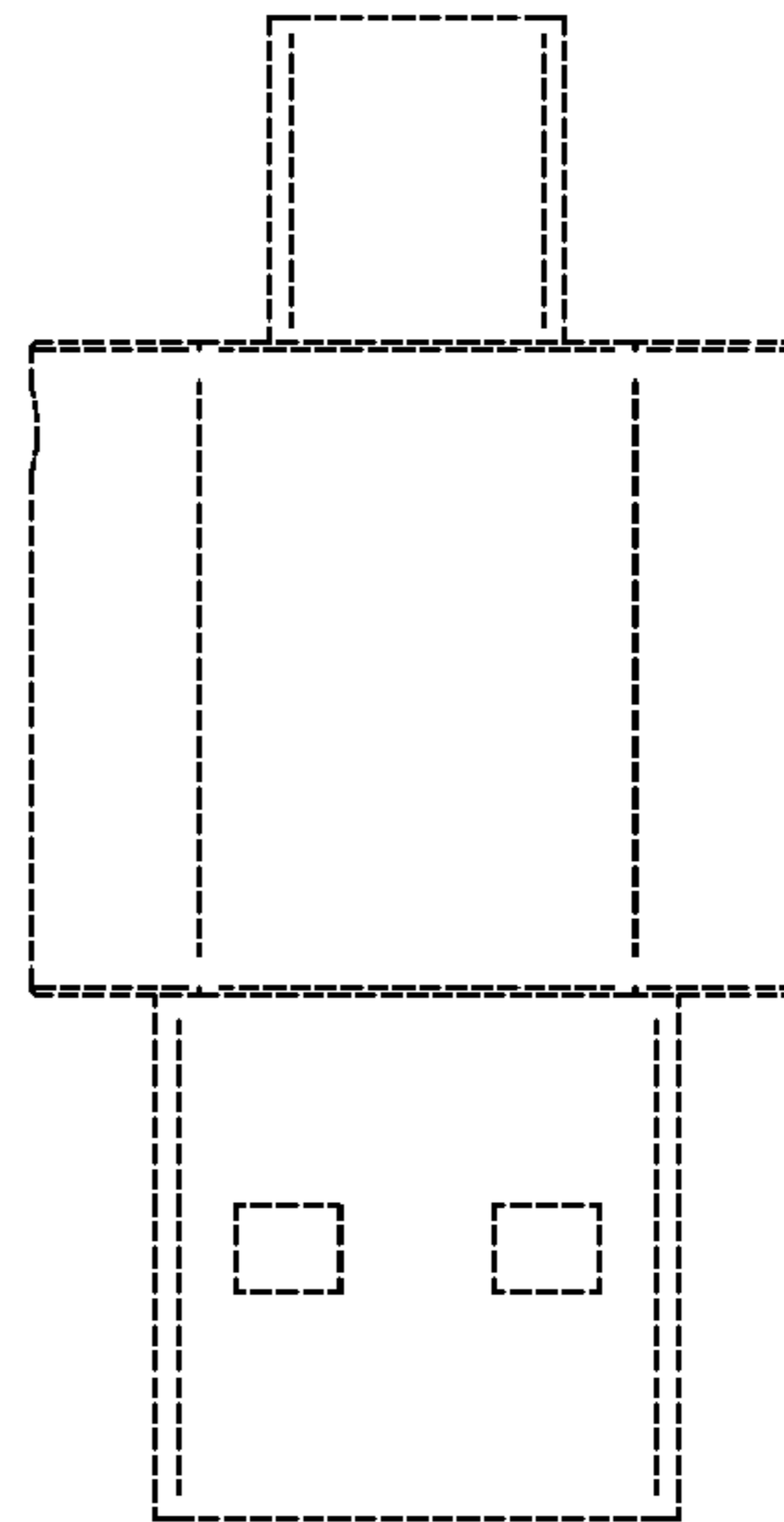
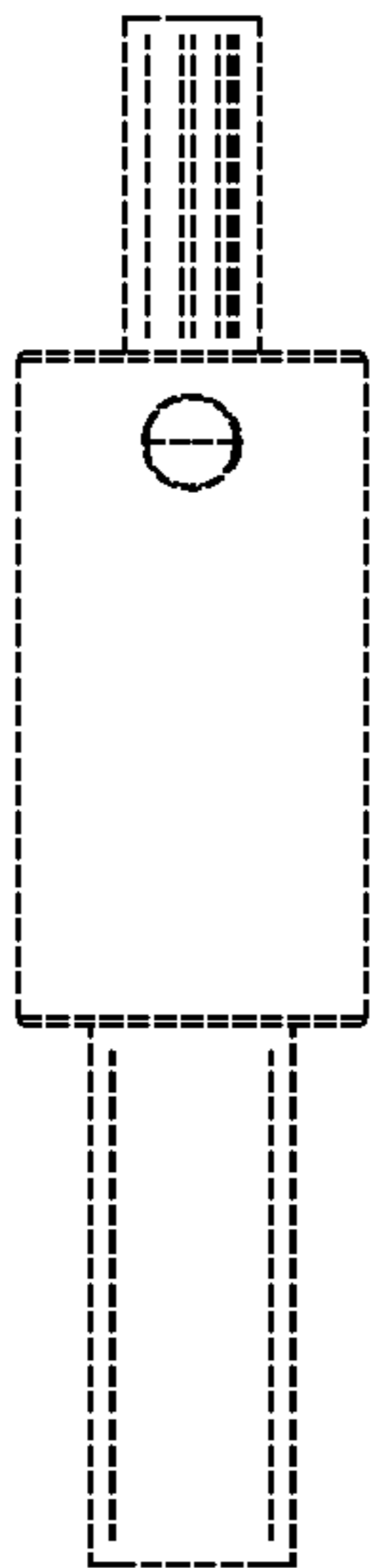


FIG. 3



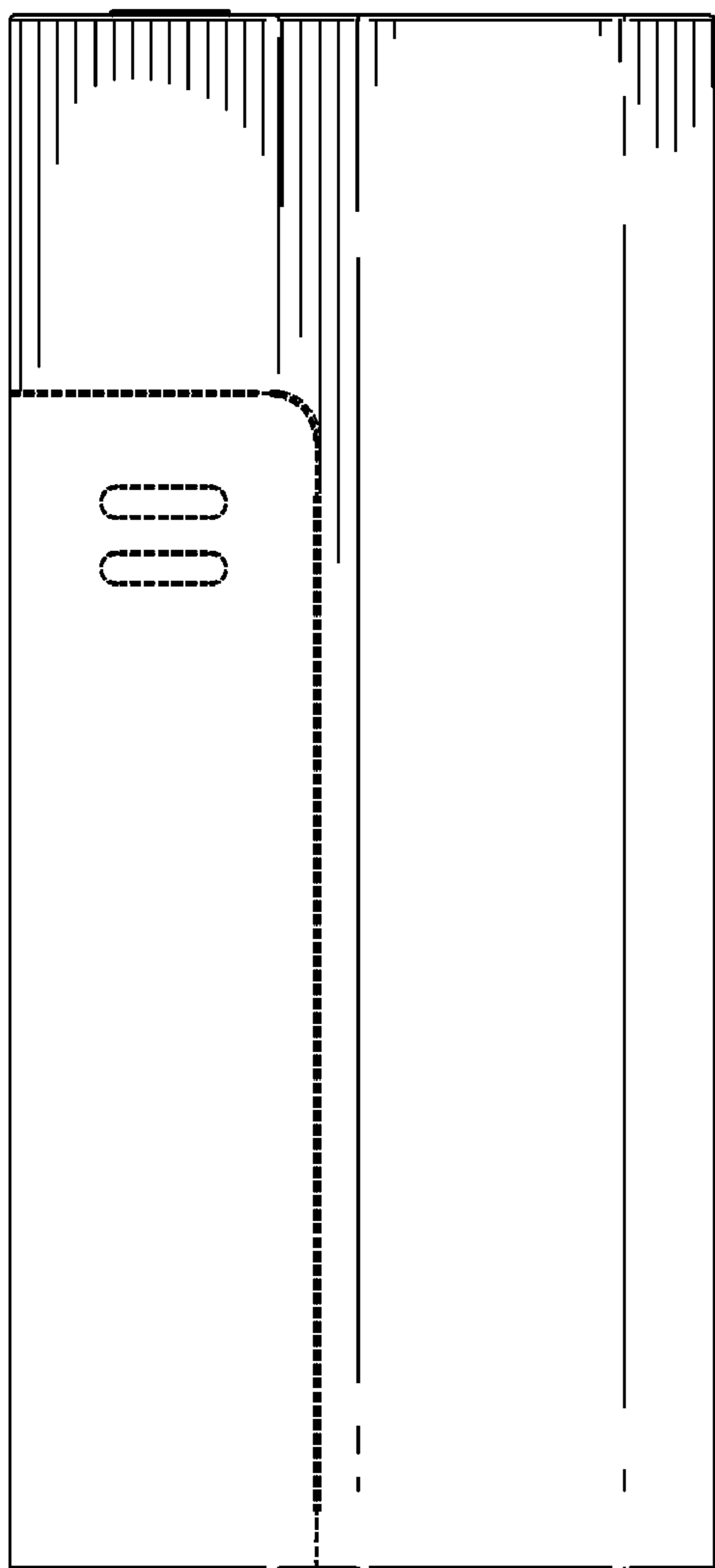


FIG. 4

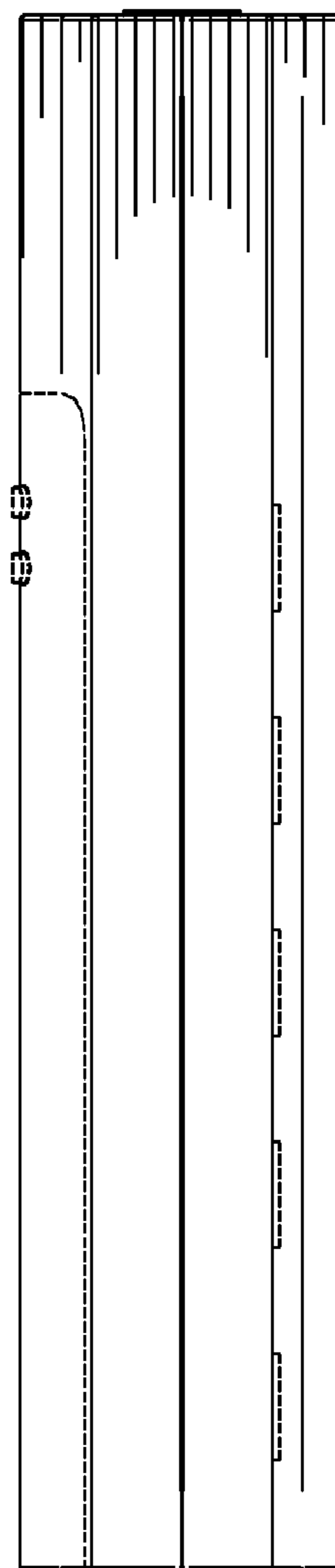
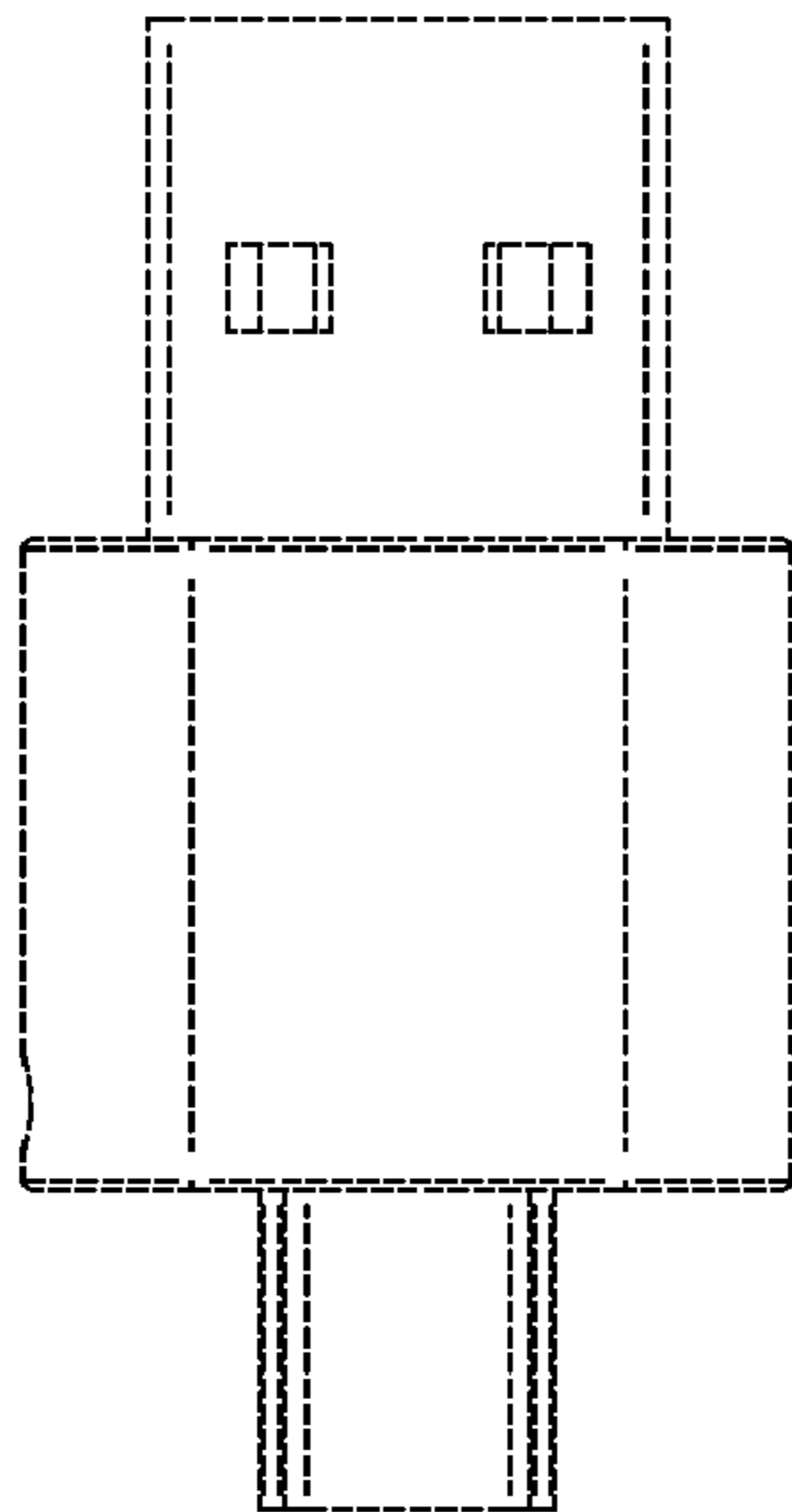


FIG. 5



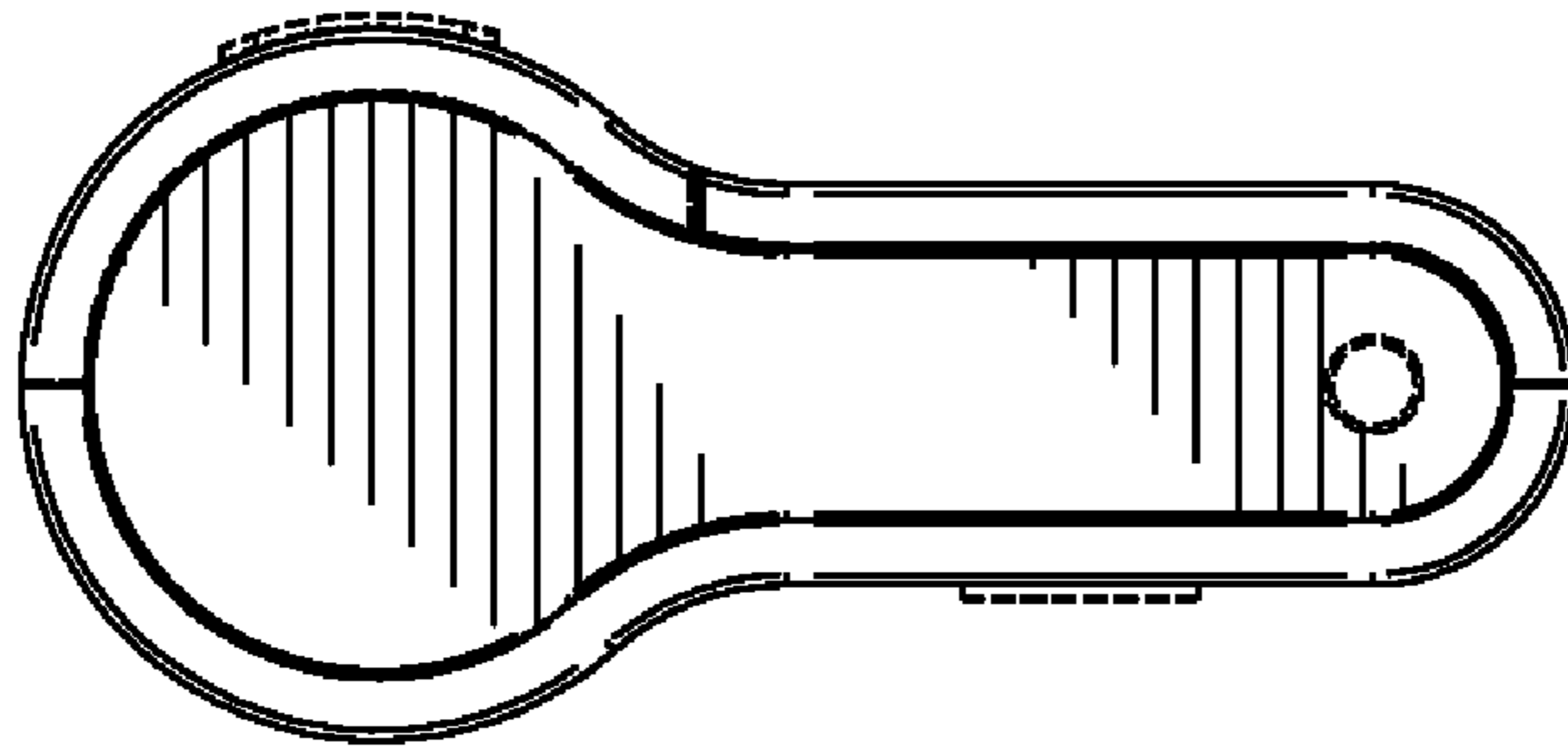


FIG. 7

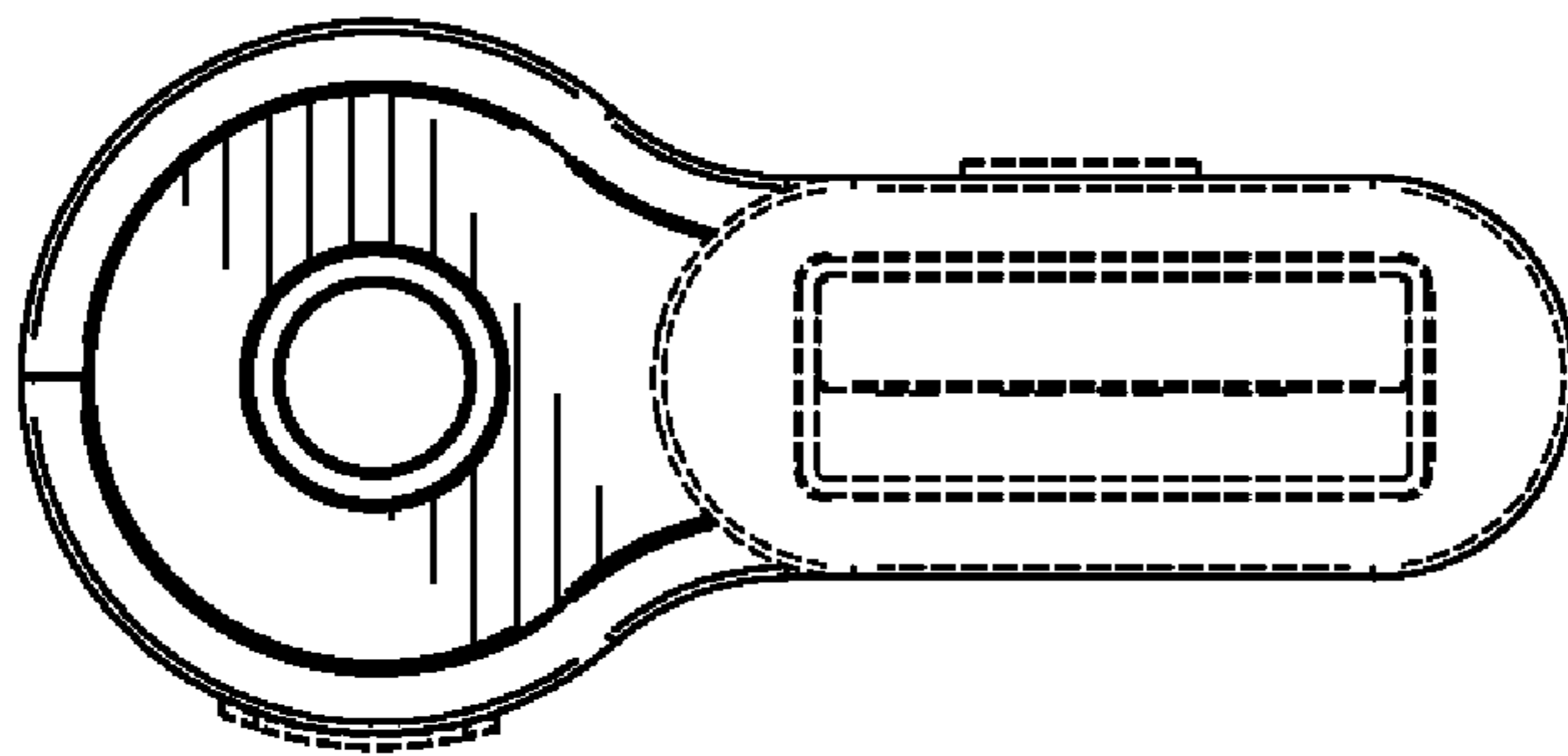


FIG. 6